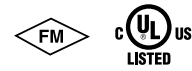


# Gate Valves



- SERIES 771H OS&Y GROOVE x GROOVE
- SERIES 772H NRS GROOVE x GROOVE
- SERIES 771F OS&Y GROOVE x FLANGE
- SERIES 772F NRS GROOVE x FLANGE
- SERIES 773 WALL POST INDICATOR
- SERIES 774 UPRIGHT POST INDICATOR

The Series 771H OS&Y and Series 771F OS&Y gate valves are used when positive shut off is required and a quick visual indicator of open/closed position is required. The Series 772H NRS and Series 772F NRS gate valves are typically used for shut-off service where the valve is operated remotely, such as when the valve is behind a wall or buried. Series 772H NRS and Series 772F NRS gate valves are offered with optional wall (Series 773) or upright (Series 774) post indicators.



SERIES 771H



SERIES 772H



SERIES 774



SERIES 771F



SERIES 772F



SERIES 773

## MATERIAL SPECIFICATIONS

### Series 771 OS & Y and 772 NRS Gate Valves

**Body:** Ductile iron conforming to ASTM A-536 grade 65-45-12

**Body Gasket:** EPDM

**Body Bolts:** Plated Steel w/ Plastic Covers

**Handwheel:**

**OS & Y Yoke (Series 771 only):** Ductile iron conforming to ASTM A-536 grade 65-45-12

**Bonnet:** Ductile iron conforming to ASTM A536 grade 65-45-12

**Bonnet/Body Coating:** Fusion bonded Epoxy coating

**Gate:** Cast iron, EPDM coated

**Gate Nut:** Bronze, conforming to ASTM B62

**Stem:** Brass, ASTM B16

Continued on page 2.

**JOB/OWNER**

System No. \_\_\_\_\_

Location \_\_\_\_\_

**CONTRACTOR**

Submitted By \_\_\_\_\_

Date \_\_\_\_\_

**ENGINEER**

Spec Sect \_\_\_\_\_ Para \_\_\_\_\_

Approved \_\_\_\_\_

Date \_\_\_\_\_

## Gate Valves

SERIES 771H OS&Y GROOVE x GROOVE  
 SERIES 772H NRS GROOVE x GROOVE  
 SERIES 771F OS&Y GROOVE x FLANGE  
 SERIES 772F NRS GROOVE x FLANGE  
 SERIES 773 WALL POST INDICATOR  
 SERIES 774 UPRIGHT POST INDICATOR

### MATERIAL SPECIFICATIONS

Continued from page 1

**O-Ring Seals:** EPDM

**Optional:**

- **Indicator Post Flange:** Ductile iron conforming to ASTM A-536 grade 65-45-12 available for NRS valves only

**Series 773 & 774 Indicators**

**Target Frame:** Bronze conforming to ASTM B62

**Window:** Polycarbonate

**Series 773 Wall Post Indicator:**

**Body:** Cast iron conforming to ASTM A-126-B

**Operating Stem:** Bronze conforming to ASTM B62

**Operating Rod:** Carbon steel

**Series 774 Upright Indicators:**

**Body:** Cast iron conforming to ASTM A-126-B

**Extension Sleeve:** Cast iron conforming to ASTM A-126-B

### CERTIFICATIONS/LISTINGS

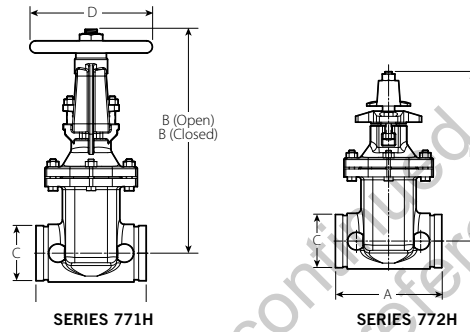
Inches DN	Series 771H		Series 772H		Series 771F		Series 772F	
	cULus	FM	cULus	FM	cULus	FM	cULus	FM
2½ DN65	250 psi/1725 kPa	250 psi/1725 kPa	250 psi/1725 kPa	250 psi/1725 kPa	250 psi/1725 kPa	250 psi/1725 kPa	250 psi/1725 kPa	250 psi/1725 kPa
76.1 mm	250 psi/1725 kPa	250 psi/1725 kPa	250 psi/1725 kPa	250 psi/1725 kPa	250 psi/1725 kPa	250 psi/1725 kPa	250 psi/1725 kPa	250 psi/1725 kPa
3 DN80	250 psi/1725 kPa	250 psi/1725 kPa	250 psi/1725 kPa	250 psi/1725 kPa	250 psi/1725 kPa	250 psi/1725 kPa	250 psi/1725 kPa	250 psi/1725 kPa
4 DN100	250 psi/1725 kPa	250 psi/1725 kPa	250 psi/1725 kPa	250 psi/1725 kPa	250 psi/1725 kPa	250 psi/1725 kPa	250 psi/1725 kPa	250 psi/1725 kPa
165.1 mm	250 psi/1725 kPa	250 psi/1725 kPa	250 psi/1725 kPa	250 psi/1725 kPa	250 psi/1725 kPa	250 psi/1725 kPa	250 psi/1725 kPa	250 psi/1725 kPa
6 DN150	250 psi/1725 kPa	250 psi/1725 kPa	250 psi/1725 kPa	250 psi/1725 kPa	250 psi/1725 kPa	250 psi/1725 kPa	250 psi/1725 kPa	250 psi/1725 kPa
8 DN200	250 psi/1725 kPa	250 psi/1725 kPa	250 psi/1725 kPa	250 psi/1725 kPa	250 psi/1725 kPa	250 psi/1725 kPa	250 psi/1725 kPa	250 psi/1725 kPa
10 DN250	250 psi/1725 kPa	250 psi/1725 kPa	250 psi/1725 kPa	250 psi/1725 kPa	250 psi/1725 kPa	250 psi/1725 kPa	250 psi/1725 kPa	250 psi/1725 kPa
12 DN300	250 psi/1725 kPa	250 psi/1725 kPa	250 psi/1725 kPa	–	250 psi/1725 kPa	–	250 psi/1725 kPa	–
14 DN350	250 psi/1725 kPa	–	250 psi/1725 kPa	–	250 psi/1725 kPa	–	250 psi/1725 kPa	–
16 DN400	250 psi/1725 kPa	–	250 psi/1725 kPa	–	250 psi/1725 kPa	–	250 psi/1725 kPa	–

# Gate Valves

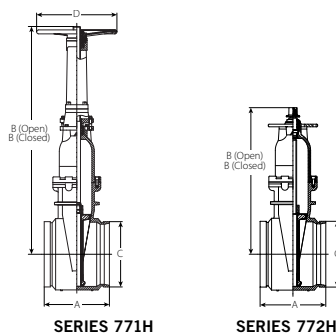
- SERIES 771H OS&Y GROOVE x GROOVE
- SERIES 772H NRS GROOVE x GROOVE
- SERIES 771F OS&Y GROOVE x FLANGE
- SERIES 772F NRS GROOVE x FLANGE
- SERIES 773 WALL POST INDICATOR
- SERIES 774 UPRIGHT POST INDICATOR

## DIMENSIONS

Series 771H OS&Y and Series 772H Grooved x Grooved



Size		Dimensions – Inches/mm						Approx. Weight Each Lbs./kg	
Nominal Size Inches DN	Actual Outside Dia. Inches mm	A	Series 771H Height B		Series 772H Height B	C	D	Series 771H	Series 772H
			Closed	Open					
2½ DN65	2.88 73.0	7.500 190.5	16.18 411	18.74 476	11.02 280	2.88 73	7.87 200	31.5 14.3	22.05 10
76.1 mm	3.00 76.1	7.500 190.5	16.18 411	19.18 487.1	11.02 280	3.00 76.1	7.87 200	31.5 14.3	22.05 10
3 DN80	3.50 88.9	7.992 203	17.09 434	20.34 514	12.21 310	3.50 88.9	7.87 200	39.3 17.8	29.77 13.5
4 DN100	4.50 114.3	9.016 229	18.11 460	22.05 560	13.58 345	4.50 114.3	10.24 260	55.4 25.1	39.69 18
165.1 mm	6.50 165.1	10.512 267	23.90 607	30.40 772.1	17.13 435	6.50 165.1	12.40 315	104.8 47.5	81.13 36.8
6 DN150	6.63 168.3	10.512 267	23.90 607	29.80 757	17.13 435	6.63 168.3	12.40 250	104.8 47.5	81.13 36.8
8 DN200	8.63 219.1	11.496 292	28.59 726	36.46 926	20.12 511	8.63 219.1	14.76 375	174.0 78.9	134.49 61
10 DN250	10.75 273	12.992 330	35.04 890	44.88 1140	24.02 610	10.75 273	16.38 416	262.4 119	194.00 88
12 DN300	12.75 323.9	14.016 356	40.12 1019	51.93 1319	27.68 703	12.75 323.9	17.52 445	392.9 178.2	310.41 140.8



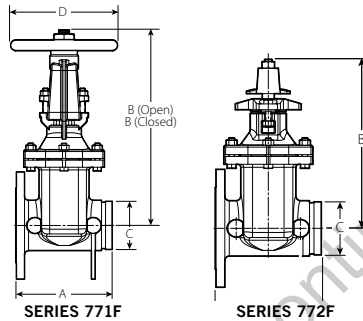
Size		Dimensions – Inches/mm						Approx. Weight Each Lbs./kg	
Nominal Size Inches DN	Actual Outside Dia. Inches mm	A	Series 771H Height B		Series 772H B	C	D	Series 771H	Series 772H
			Closed	Open					
14 DN350	14.000 355.6	15.00 381	53.00 1346	66.75 1695	32.50 826	14.00 356	19.63 498	586.0 266	492.0 223
16 DN400	16.000 406.4	16.00 406	55.88 1419	71.63 1819	36.00 914	16.00 406	19.63 498	776.0 352	667.0 307

# Gate Valves

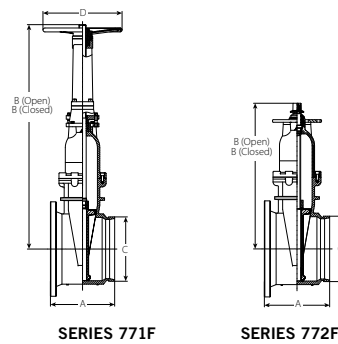
- SERIES 771H OS&Y GROOVE x GROOVE
- SERIES 772H NRS GROOVE x GROOVE
- SERIES 771F OS&Y GROOVE x FLANGE
- SERIES 772F NRS GROOVE x FLANGE
- SERIES 773 WALL POST INDICATOR
- SERIES 774 UPRIGHT POST INDICATOR

## DIMENSIONS

Series 771F OS&Y and Series 772F Flanged x Grooved come standard with an ANSI Class 150 flange. Other sizes are available. Contact Victaulic for details.



Size		Dimensions – Inches/mm						Approx. Weight Each Lbs./kg	
Nominal Size Inches DN	Actual Outside Dia. Inches mm	A	Series 771F Height B		Series 772F Height B	C	D	Series 771F	Series 772F
			Closed	Open					
2 1/2 DN65	2.88 73	7.500 190.5	16.18 411	18.74 476	11.02 280	2.88 73	7.87 200	38.14 17.3	30.43 13.8
76.1 mm	3.00 76.1	7.500 190.5	16.18 411	19.18 487.1	11.02 280	3.00 76.1	7.87 200	38.14 17.3	30.43 13.8
3 DN80	3.50 88.9	7.992 203	17.09 434	20.34 514	12.21 310	3.50 88.9	7.87 200	48.06 21.8	37.48 17
4 DN100	4.50 114.3	9.016 229	18.11 460	22.05 560	13.58 345	4.50 114.3	10.24 260	70.55 32	52.91 24
165.1 mm	6.50 165.1	10.512 267	23.90 607	30.40 772.1	17.13 435	6.50 165.1	12.40 315	121.26 55	94.80 43
6 DN150	6.63 168.3	10.512 267	23.90 607	29.80 757	17.13 435	6.63 168.3	12.40 250	121.26 55	94.80 43
8 DN200	8.63 219.1	11.496 292	28.59 726	36.46 926	20.12 511	8.63 219.1	14.76 375	196.22 89	158.74 72
10 DN250	10.75 273	12.992 330	35.04 890	44.88 1140	24.02 610	10.75 273	16.38 416	310.86 141	253.54 115
12 DN300	12.75 323.9	14.016 356	40.12 1019	51.93 1319	27.68 703	12.75 323.9	17.52 445	449.75 204	376.99 171



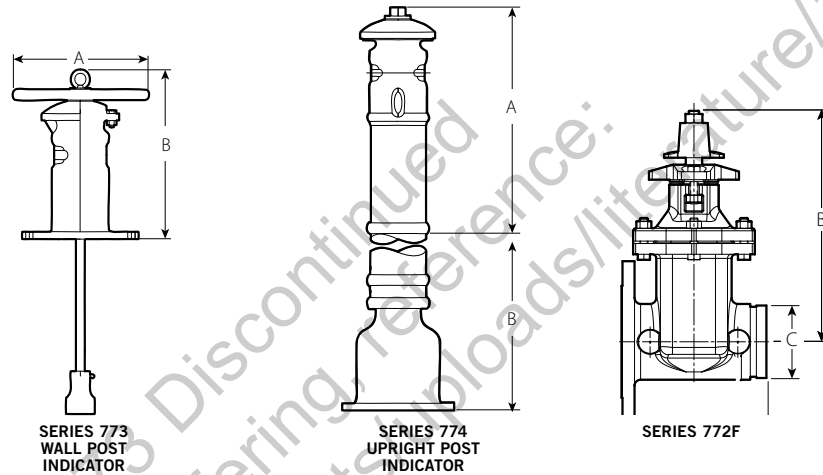
Nominal Size Inches DN	Actual Outside Dia. Inches mm	A	Series 771F Height B		Series 772F B	C	D	Series 771F	Series 772F
			Closed	Open					
14 DN350	14.000 355.6	15.00 381	53.00 1346	66.75 1695	32.50 826	14.00 356	19.63 498	642.0 291	547.0 248
16 DN400	16.000 406.4	16.00 406	55.88 1419	71.63 1819	36.00 914	16.00 406	19.63 498	847.0 384	747.0 339

## Gate Valves

- SERIES 771H OS&Y GROOVE x GROOVE
- SERIES 772H NRS GROOVE x GROOVE
- SERIES 771F OS&Y GROOVE x FLANGE
- SERIES 772F NRS GROOVE x FLANGE
- SERIES 773 WALL POST INDICATOR
- SERIES 774 UPRIGHT POST INDICATOR

### DIMENSIONS

Series 773 Wall Post Indicator  
 Series 774 Upright Post Indicator



Post Indicator	Dimensions – Inches/millimeters			Approx. Weight Ea.
	A	B-min.	B-max.	Lbs. kg
Series 773 Wall	14.00 356	15.54 394.6	—	127.8 58.0
Series 774 Upright	39.92 1014	21.65 550	61.42 1560	163.0 74.0

Post Indicator – Typical Dimensions (For Upright & Wall) Inches/mm		
Nominal Size Inches DN	C Dimension from Centerline to Top of the Operating Nut	Approximate No. of Turns to Open
2½ DN65	11.58 298	9
76.1 mm	11.58 298	9
3 DN80	12.92 328	10
4 DN100	14.29 363	13
6 DN150	17.13 453	16
165.1 mm	17.13 453	16
8 DN200	20.83 529	17
10 DN250	24.73 628	21
12 DN300	28.39 721	26

NOTE: Series 772H and Series 772F NRS Gate Valves must be equipped with a mounting plate if used with the Series 774 Upright Post Indicator. Contact Victaulic for details.

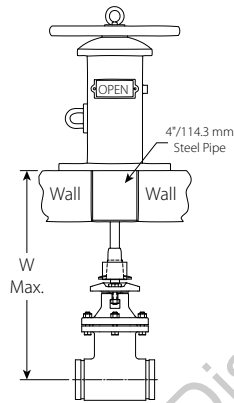
Series 773 and Series 774 Post Indicators are intended for use on NRS valves only.

## Gate Valves

- SERIES 771H OS&Y GROOVE x GROOVE
- SERIES 772H NRS GROOVE x GROOVE
- SERIES 771F OS&Y GROOVE x FLANGE
- SERIES 772F NRS GROOVE x FLANGE
- SERIES 773 WALL POST INDICATOR
- SERIES 774 UPRIGHT POST INDICATOR

### DIMENSIONS

Series 773 Wall Post Indicator  
 Maximum Distance from Exterior Wall  
 Surface



Size		Maximum Distance from Exterior of Wall
Nominal Size Inches DN	Actual Outside Dia. Inches mm	Inches mm
2 1/2 DN65	2.875 73.0	33.0 838
3 DN80	3.500 88.9	36.9 936
4 DN100	4.500 114.3	37.3 948
165.1 mm	6.500 165.1	41.3 1048
6 DN150	6.625 168.3	41.3 1048
8 DN200	8.625 219.1	44.7 1135
10 DN250	10.750 273.0	48.6 1235
12 DN300	12.750 323.9	52.1 1324

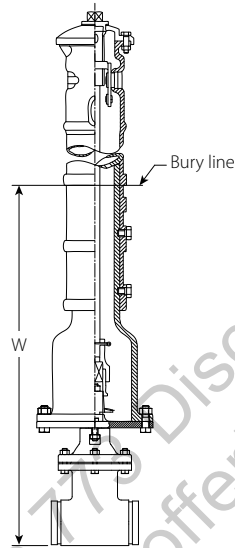
NOTE: Dimensions given are for standard rod length. Greater distances may be achieved. Contact Victaulic for details.

## Gate Valves

- SERIES 771H OS&Y GROOVE x GROOVE
- SERIES 772H NRS GROOVE x GROOVE
- SERIES 771F OS&Y GROOVE x FLANGE
- SERIES 772F NRS GROOVE x FLANGE
- SERIES 773 WALL POST INDICATOR
- SERIES 774 UPRIGHT POST INDICATOR

### DIMENSIONS

Series 774 Upright Post Indicator  
Bury Depth



Size		W Bury Depth Inches mm	
Nominal Size Inches DN	Actual Outside Dia. Inches mm	Minimum	Maximum
2½ DN65	2.875 73.0	31.23 793	71 1803
3 DN80	3.500 88.9	32.57 827	72.34 1837
4 DN100	4.500 114.3	33.94 862	73.71 1872
165.1 mm	6.500 165.1	36.78 934	76.55 1944
6 DN150	6.625 168.3	36.78 934	76.55 1944
8 DN200	8.625 219.1	40.48 1028	80.25 2038
10 DN250	10.750 273.0	44.38 1127	84.15 2137
12 DN300	12.750 323.9	48.04 1220	87.81 2230

## Gate Valves

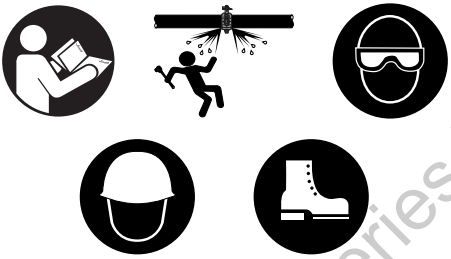
SERIES 771H OS&Y GROOVE x GROOVE  
 SERIES 772H NRS GROOVE x GROOVE  
 SERIES 771F OS&Y GROOVE x FLANGE  
 SERIES 772F NRS GROOVE x FLANGE  
 SERIES 773 WALL POST INDICATOR  
 SERIES 774 UPRIGHT POST INDICATOR

### WARRANTY

Refer to the Warranty section of the current Price List or contact Victaulic for details.

### NOTE

This product shall be manufactured by Victaulic or to Victaulic specifications. All products to be installed in accordance with current Victaulic installation/assembly instructions. Victaulic reserves the right to change product specifications, designs and standard equipment without notice and without incurring obligations.

<b>⚠ WARNING</b>	
	<ul style="list-style-type: none"> <li>• Read and understand all instructions before attempting to install any Victaulic products.</li> <li>• Always verify that the piping system has been completely depressurized and drained immediately prior to installation, removal, adjustment, or maintenance of any Victaulic products.</li> <li>• Wear safety glasses, hardhat, and foot protection.</li> </ul> <p>Failure to follow these instructions could result in death or serious personal injury and property damage.</p>
<ul style="list-style-type: none"> <li>• These products shall be used only in fire protection systems that are designed and installed in accordance with current, applicable National Fire Protection Association (NFPA 13, 13D, 13R, etc.) standards, or equivalent standards, and in accordance with applicable building and fire codes. These standards and codes contain important information regarding protection of systems from freezing temperatures, corrosion, mechanical damage, etc.</li> <li>• The installer shall understand the use of this product and why it was specified for the particular application.</li> <li>• The installer shall understand common industry safety standards and potential consequences of improper product installation.</li> <li>• It is the system designer's responsibility to verify suitability of materials for use with the intended fluid media within the piping system and external environment.</li> <li>• The material specifier shall evaluate the effect of chemical composition, pH level, operating temperature, chloride level, oxygen level, and flow rate on materials to confirm system life will be acceptable for the intended service.</li> </ul> <p>Failure to follow installation requirements and local and national codes and standards could compromise system integrity or cause system failure, resulting in death or serious personal injury and property damage.</p>	

For complete contact information, visit [www.victaulic.com](http://www.victaulic.com)

10.92 3003 REV G UPDATED 04/2021

VICTAULIC IS A REGISTERED TRADEMARK OF VICTAULIC COMPANY. © 2021 VICTAULIC COMPANY. ALL RIGHTS RESERVED.

