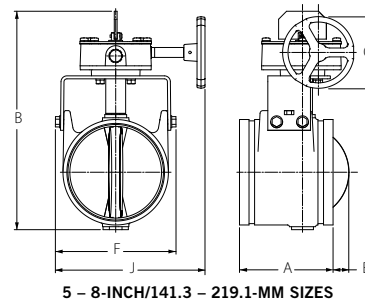
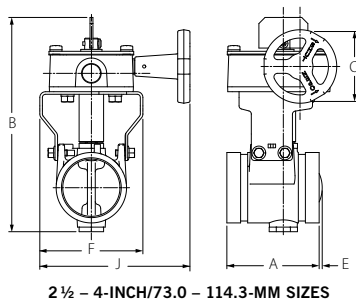


# Supervised-Closed Butterfly Valve

SERIES 707 (300-PSI/2065-KPA)

## DIMENSIONS

Size		Dimensions – inches/millimeters						Approx. Weight Each
Nominal Size inches/mm	Pipe Outside Diameter inches/mm	End to End "A"	Height "B"	"E"	"F"	"J"	"O"	lbs/kg
2½ 65	2.875 73.0	3.77 95.6	8.76 222.5	—	4.21 106.9	6.08 154.4	3.00 76.2	8.3 3.8
76.1 mm	3.000 76.1	3.77 95.6	8.76 222.5	—	4.21 106.9	6.08 154.4	3.00 76.2	8.3 3.8
3 80	3.500 88.9	3.77 95.6	9.40 238.8	0.08 2.0	4.21 106.9	6.08 154.4	3.00 76.2	8.9 4.0
4 100	4.500 114.3	4.63 117.6	10.84 275.3	0.07 1.8	6.01 152.7	6.98 177.3	3.00 76.2	14.9 6.8
139.7 mm	5.500 139.7	5.88 149.4	12.38 314.5	0.43 10.9	6.01 152.7	8.57 217.7	4.50 114.3	21.0 9.5
5 125	5.563 141.3	5.88 149.4	12.38 314.5	0.43 10.9	6.01 152.7	8.57 217.7	4.50 114.3	21.0 9.5
165.1 mm	6.500 165.1	5.88 149.4	13.41 340.6	1.00 25.4	7.51 190.8	9.32 236.7	4.50 114.3	26.5 12.0
6 150	6.625 168.3	5.88 149.4	13.41 340.6	1.00 25.4	7.51 190.8	9.32 236.7	4.50 114.3	26.5 12.0
8 200	8.625 219.1	5.33 135.4	16.50 419.1	1.27 32.3	9.65 245.1	10.98 278.9	6.30 160.0	43.0 19.5



## IMPORTANT INSTALLATION INFORMATION

**WARNING**

- Read and understand all instructions before attempting to install any Victaulic piping products.
- Wear safety glasses, hardhat, and foot protection.

Failure to follow these instructions could result in serious personal injury and/or property damage.

**WARNING**

- Depressurize and drain the piping system before attempting to install, remove, or adjust any Victaulic piping products.

Failure to follow this instruction could result in serious personal injury and/or property damage.

- The Series 707 Butterfly Valve is designed to be **SUPERVISED CLOSED**. Under normal operating conditions, this valve will be **CLOSED**, and the internal limit switches will supervise the valve only in the **CLOSED** position. The valve will be in the open position only during system testing and maintenance.
- This supervised closed Series 707 Butterfly Valve should NOT be installed where fluid flow is required as part of normal system operation.
- The Series 707 Butterfly Valve is UL Listed and FM Approved for 300-psi/2065-kPa working pressure for indoor or outdoor use.
- Flow performance for Series 707 Butterfly Valves satisfies UL Specification 1091 and FM Approval Standard 1112.
- The standard disc coating is EPDM for water and oil-free air service. DO NOT use EPDM material in petroleum service applications.
- Installation of the Series 707 Butterfly Valve must be made in accordance with NFPA 13 and NFPA 72.
- Series 707 Butterfly Valves are designed for ambient weather conditions. DO NOT use these valves in submersible services.
- DO NOT install valves with the disc in the full-open position. Make sure no portion of the disc protrudes beyond the end of the valve body.
- Use ONLY grooved-end IPS carbon steel pipe with Series 707 Butterfly Valves. DO NOT use plain-end IPS pipe or grooved cast ductile iron pipe.
- To prevent valves from rotating in the system, Victaulic recommends installing the Series 707 Butterfly Valve with at least one Victaulic rigid coupling. If two Victaulic flexible couplings are used, additional support may be required to prevent the valve from rotating. Refer to the instructions, supplied with the couplings, for proper installation.
- Series 707 Butterfly Valves are not designed for use with handle extensions or chain-wheel operators.

# Supervised-Closed Butterfly Valve

SERIES 707 (300-PSI/2065-KPA)

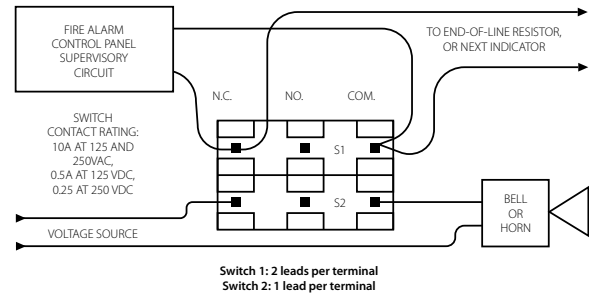
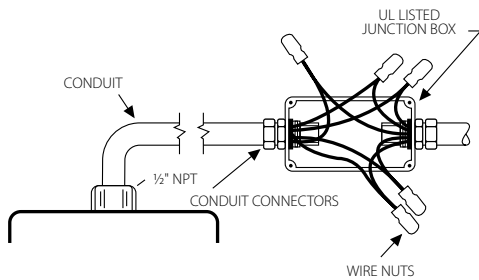
## INSTALLATION INSTRUCTIONS

- To prevent damage to the disc during installation, turn the hand wheel so that the disc is in the "closed" position. No portion of the disc should extend beyond the end of the valve body.
- Install the Series 707 Butterfly Valve with at least one Victaulic rigid coupling. Refer to the "Important Installation Information" section on the previous page and the instructions, supplied with the couplings, for proper installation. **NOTE:** When installing rigid, angle-bolt-pad couplings, the nuts must be tightened evenly to obtain metal-to-metal contact with equal offsets at each bolt pad.

## SWITCH AND WIRING

- The supervisory switch contains two single pole, double throw, pre-wired switches.
- Switches are rated:
  - 10 amps @ 125 or 250 VAC/60 Hz
  - 0.50 amps @ 125 VDC
  - 0.25 amps @ 250 VDC
- Switches supervise the valve in the "CLOSED" position.**
- One switch has two #18 MTW wires per terminal, which permit complete supervision of leads (refer to diagrams and notes on this page). The second switch has one #18 MTW wire per terminal. This double circuit provides flexibility to operate two electrical devices at separate locations, such as an indicating light and an audible alarm, in the area that the valve is installed.
- A #14 MTW ground lead (green) is provided.
  - Switch #1 = S1 For connection to the supervisory circuit of a UL Listed alarm control panel
  - Switch #2 = S2 Auxiliary switch that may be connected to auxiliary devices, per the authority having jurisdiction

- S1 { Normally Closed: (2) Blue  
Common: (2) Yellow
- S2 { Normally Closed: Blue with Orange Stripe  
Normally Open: Brown with Orange Stripe  
Common: Yellow with Orange Stripe



### NOTE:

The above diagram shows a connection between the common terminal (yellow – S1 and yellow-with-orange stripe – S2) and the normally closed terminal (blue – S1 and blue-with-orange strip – S2). In this example, the indicator light and alarm will stay on until the valve is fully **CLOSED**. When the valve is fully **CLOSED**, the indicator light and alarm will go out. Cap off any unused wires (e.g. brown with orange stripe). Only S1 (two leads per terminal) may be connected to the fire alarm control panel. The connection of the alarm switch wiring shall be in accordance with NFPA 72 and the auxiliary switch per NFPA 70 (NEC).

## GEAR OPERATOR REPLACEMENT

In the event that a gear operator fails, complete replacement would be required.

**CAUTION**

- Use **ONLY** Victaulic replacement parts. Use of any other manufacturer's parts may result in improper operation of the valve or valve failure.

**NOTICE**

- Before removing the gear operator, note the current orientation of the gear operator on the bracket. The new gear operator must be installed on the bracket in the same orientation.

- Remove the mounting hardware from the underside of the gear operator's bracket. Save this hardware for re-assembly.
- Lift the gear operator assembly off the bracket.
- Install the replacement gear operator in the exact orientation as the one removed from the bracket. Line up the oval, recessed slot in the stem adapter with the oval drive hub on the valve.
- Use the mounting hardware, removed in step 1, to secure the new gear operator onto the bracket.
- Wire the gear operator, as described in the "Switch and Wiring" section on this page.

### US & WORLD HEADQUARTERS

P.O. Box 31  
Easton, PA 18044-0031 USA  
4901 Kesslersville Road  
Easton, PA 18040 USA  
1-800-PICK-VIC (1-800-742-5842)  
1-610-559-3300  
1-610-250-8817 (fax)  
pickvic@victaulic.com

www.victaulic.com

### CANADA

905-884-7444  
905-884-9774 (fax)  
viccanada@victaulic.com

### EUROPE

32-9-381-15-00  
32-9-380-44-38 (fax)  
viceuro@victaulic.be

### UNITED KINGDOM

44 (0) 1438310690  
44 (0) 1438310699 (fax)  
viceuro@victaulic.be

### CENTRAL AND SOUTH AMERICA

1-610-559-3300  
1-610-559-3608 (fax)  
vical@victaulic.com

### ASIA PACIFIC

86-21-54253300  
86-21-54253671 (fax)  
vicap@victaulic.com

### MIDDLE EAST

971-4-883-88-70  
971-4-883-88-60 (fax)

UPDATED 9/2007

I-707 4815 REV B Z000707003

VICTAULIC IS A REGISTERED TRADEMARK OF VICTAULIC COMPANY. © 2007 VICTAULIC COMPANY. ALL RIGHTS RESERVED. PRINTED IN THE USA.

I-707

