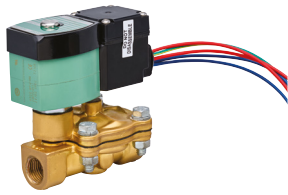


Victaulic® FireLock™ 300 psi Solenoid Series 753-E



With coil monitoring



Without coil monitoring

1.0 PRODUCT DESCRIPTION

Function

- A solenoid for use with Victaulic FireLock Preaction and Deluge devices that are electrically activated
- Optional integrated coil supervision to meet the requirements of NFPA 13

Maximum Working Pressure

- 300 psi/2056 kPa/20 bar

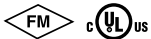
Application

- NEMA 4 rated enclosure
- Weatherproof actuator housing approved for indoor and outdoor use
- Designed for fire protection services only.

Connections

- ½"/15 mm NPT inlet and outlet
- Conduit connection: ½"/15 mm with 12"/300 mm wire extensions

2.0 CERTIFICATION/LISTINGS



ALWAYS REFER TO ANY NOTIFICATIONS AT THE END OF THIS DOCUMENT REGARDING PRODUCT INSTALLATION, MAINTENANCE OR SUPPORT.

3.0 SPECIFICATIONS – MATERIAL

Body: Forged Brass

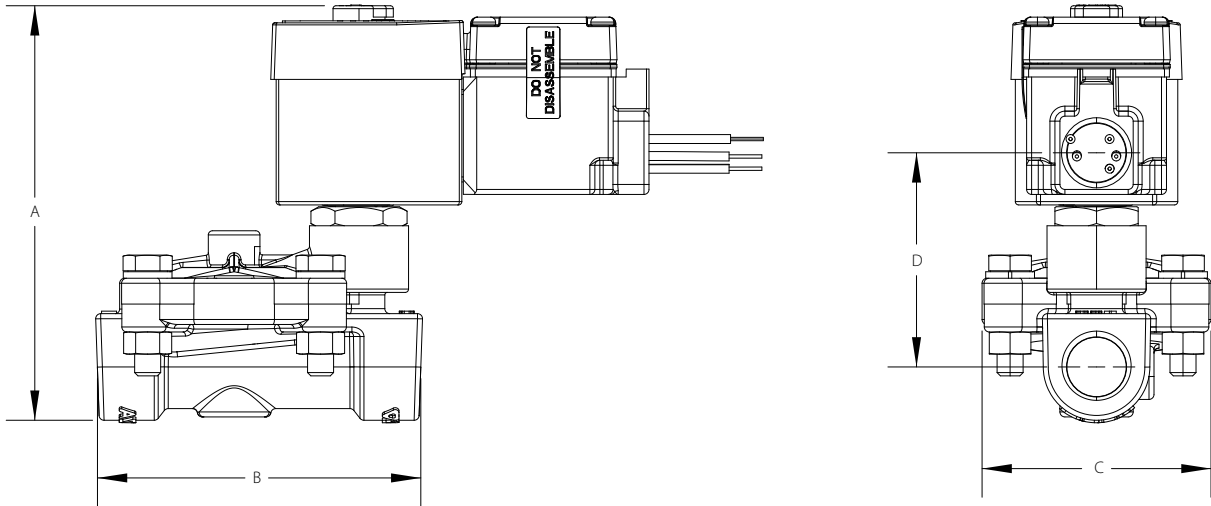
Spring: 300 Series Stainless Steel

Seal: Fluoroelastomer

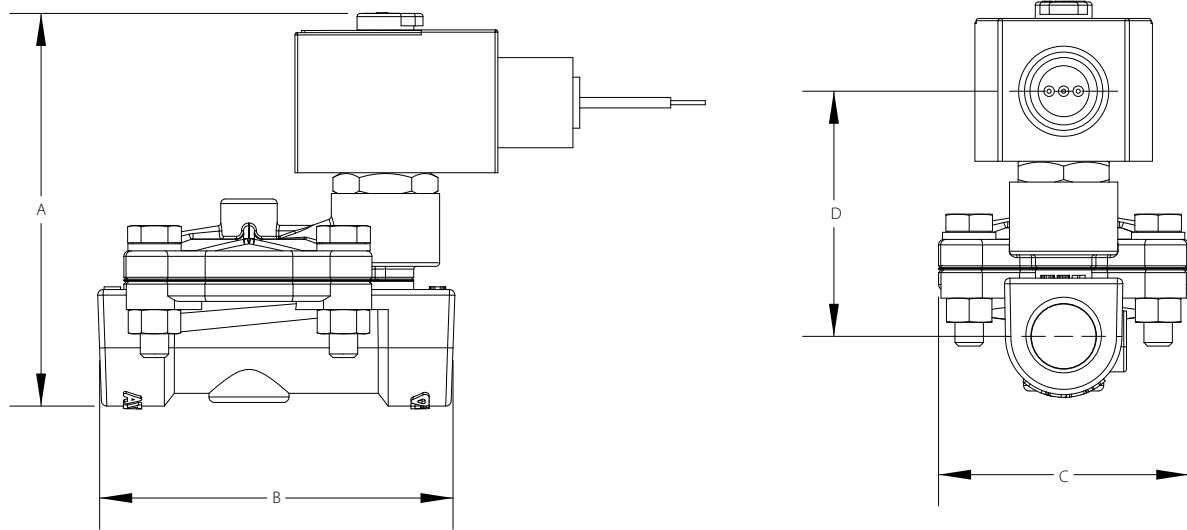
Diaphragm: Fluoroelastomer

Wiring: 24 VDC

4.0 DIMENSIONS



With coil monitoring




Without coil monitoring


Size		Dimensions				Weight	
Nominal inches DN	Actual Outside Diameter inches mm	A inches mm	B inches mm	C inches mm	D inches mm	Approximate (Each)	
						Non-Supervised Solenoid lb kg	Supervised Solenoid lb kg
½ DN15	0.840 21.3	5.00 127	4.00 99	2.75 70	2.63 66	1.2 0.5	3.9 1.8

5.0 PERFORMANCE

Size		Performance			
Nominal inches DN	Actual Outside Diameter inches mm	Voltage Volts	Power Rating Watts	Resistance Ohms	Current Amps
1/2 DN15	0.840 21.3	24.0	9.0	64	0.375

6.0 NOTIFICATIONS

 **WARNING**



- Read and understand all instructions before attempting to install any Victaulic products.
- Always verify that the piping system has been completely depressurized and drained immediately prior to installation, removal, adjustment, or maintenance of any Victaulic products.
- Wear safety glasses, hardhat, and foot protection.

Failure to follow these instructions could result in death or serious personal injury and property damage.

- These products shall be used only in fire protection systems that are designed and installed in accordance with current, applicable National Fire Protection Association (NFPA 13, 13D, 13R, etc.) standards, or equivalent standards, and in accordance with applicable building and fire codes. These standards and codes contain important information regarding protection of systems from freezing temperatures, corrosion, mechanical damage, etc.
- The installer shall understand the use of this product and why it was specified for the particular application.
- The installer shall understand common industry safety standards and potential consequences of improper product installation.
- It is the system designer's responsibility to verify suitability of materials for use with the intended fluid media within the piping system and external environment.
- The material specifier shall evaluate the effect of chemical composition, pH level, operating temperature, chloride level, oxygen level, and flow rate on materials to confirm system life will be acceptable for the intended service.

Failure to follow installation requirements and local and national codes and standards could compromise system integrity or cause system failure, resulting in death or serious personal injury and property damage.

7.0 REFERENCE MATERIALS

<p>SOLENOID</p>	
<p>SURVEILLANCE SWITCH</p>	<p>SWITCH FUNCTION: SWITCH OPEN WHEN COIL IN PLACE AND INSTALLED CORRECTLY. SWITCH CLOSED WHEN COIL REMOVED/ NOT INSTALLED CORRECTLY.</p>

- [31.81: Victaulic® FireLock NXT™ Deluge Valve Series 769N](#)
- [31.82: Victaulic® FireLock NXT™ Preaction Trim Series 769N](#)
- [I-769N Deluge: Series 769N FireLock NXT™ Deluge Valve](#)
- [I-769N: Victaulic® Series 769N FireLock NXT™ Actuated Valve with Preaction Trim](#)

User Responsibility for Product Selection and Suitability

Each user bears final responsibility for making a determination as to the suitability of Victaulic products for a particular end-use application, in accordance with industry standards and project specifications, as well as Victaulic performance, maintenance, safety, and warning instructions. Nothing in this or any other document, nor any verbal recommendation, advice, or opinion from any Victaulic employee, shall be deemed to alter, vary, supersede, or waive any provision of Victaulic Company's standard conditions of sale, installation guide, or this disclaimer.

Intellectual Property Rights

No statement contained herein concerning a possible or suggested use of any material, product, service, or design is intended, or should be construed, to grant any license under any patent or other intellectual property right of Victaulic or any of its subsidiaries or affiliates covering such use or design, or as a recommendation for the use of such material, product, service, or design in the infringement of any patent or other intellectual property right. The terms "Patented" or "Patent Pending" refer to design or utility patents or patent applications for articles and/or methods of use in the United States and/or other countries.

Note

This product shall be manufactured by Victaulic or to Victaulic specifications. All products to be installed in accordance with current Victaulic installation/assembly instructions. Victaulic reserves the right to change product specifications, designs and standard equipment without notice and without incurring obligations.

Installation

Reference should always be made to the Victaulic installation handbook or installation instructions of the product you are installing. Handbooks are included with each shipment of Victaulic products, providing complete installation and assembly data, and are available in PDF format on our website at www.victaulic.com.

Warranty

Refer to the Warranty section of the current Price List or contact Victaulic for details.

Trademarks

Victaulic and all other Victaulic marks are the trademarks or registered trademarks of Victaulic Company, and/or its affiliated entities, in the U.S. and/or other countries.