

FireLock® Devices Air Maintenance Trim Assembly

FM c UL US LISTED
SEE VICTAULIC PUBLICATION 10.01 FOR DETAILS

SERIES 757

The FireLock Air Maintenance Trim Package is designed to control the system air pressure when using the Series 756 Dry Valves, Series 758 Actuated Valves, or the FireLock NXT 768 Dry and 769 Actuated Devices for dry sprinkler applications.

The Victaulic® Air Maintenance Trim Assembly should be used with a reliable source of continuous (24 hours/day, 7 days/week) air available, such as shop air or a tank mounted air compressor with an attached pressure control switch. The high pressure of the supply air is reduced by the integral regulator in the Air Maintenance Trim Assembly to the recommended air pressure based on the water supply pressure.

Note: The regulator must be manually set to the recommended air pressure based upon the guidelines given in the Installation and Maintenance Instructions for pneumatic systems. The air maintenance assembly will maintain the set air pressure as long as the supply air pressure is greater than the system air pressure.



COMPONENTS

Included in the Air Maintenance Trim Assembly are the following components:

- High quality regulator which maintains the sprinkler piping air pressure
- Strainer – A 100 mesh strainer is used to prevent particles from entering the Air Maintenance System and the sprinkler system.
- Restrictor – A brass Restrictor is used in the maintenance loop in order to assure that air cannot enter the sprinkler system faster than air can be discharged through an open head.
- Spring Loaded In-line Check Valve – Bubble tight ball check used to isolate the valve air maintenance system from air leaks in the air supply system.
- Fast Fill Line – Used to rapidly restore system air pressure following operation or service.
- Recommend maximum of two systems per air maintenance trim.
- Regulator is a pressure reducing type.

WARNING



WARNING



- This product must be installed by an experienced, trained installer, in accordance with the instructions provided with each valve. These instructions contain important information.
- Failure to follow these instructions may result in serious personal injury, property damage or valve leakage.
- If you need additional copies of this product literature or the valve installation instructions or have any questions about the safe installation and use of this device, contact Victaulic Company, P.O. Box 31, Easton, PA 18044-0031 USA, Telephone: 001-610-559-3300.

JOB/OWNER

System No. _____

Location _____

CONTRACTOR

Submitted By _____

Date _____

ENGINEER

Spec Sect _____ Para _____

Approved _____

Date _____

www.victaulic.com

VICTAULIC IS A REGISTERED TRADEMARK OF VICTAULIC COMPANY. © 2009 VICTAULIC COMPANY. ALL RIGHTS RESERVED.

REV_E



30.35_1

FireLock® Devices Air Maintenance Trim Assembly

SERIES 757

INSTALLATION & ADJUSTMENT

Install the Air Maintenance Trim Assembly in the orientation shown on the appropriate trim drawing. The Air Maintenance Trim Assembly is intended to be used in systems that have a source of compressed air available such as shop air or a tank mounted air compressor.

Refer to the Installation, Maintenance and Testing Manuals of the particular valve being installed for detailed setting information and procedures.

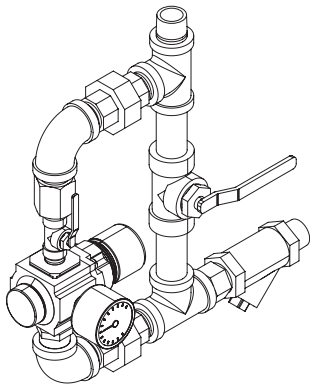
Adjustment

To increase the set pressure pull the knob of the regulator out and turn the knob clockwise until the desired pressure is read on the regulator gauge. More accurate adjustment of the system air pressure should then be made using the system pressure gauge. After final adjustment lock the regulator by pushing the knob in.

To decrease the set pressure pull the knob of the regulator out and turn the knob counterclockwise until the desired pressure is read on the regulator gauge. More accurate adjustment of the system air pressure should then be made using the system pressure gauge. After final adjustment lock the regulator by pushing the knob in.

NOTES

- 1 An air regulator must be used with Series 756/Series 758/Series 768/Series 769 Actuated Valves utilizing an Accelerator.
- 2 When supervisory air is required, such as in an electrically activated preaction system, the pressure should be set as low as the supervisory pressure switch installed will permit.
- 3 When installed with multiple pneumatic actuated valves, (two maximum) the systems must be isolated by using a spring loaded soft seat check valve to assure air integrity to each system.

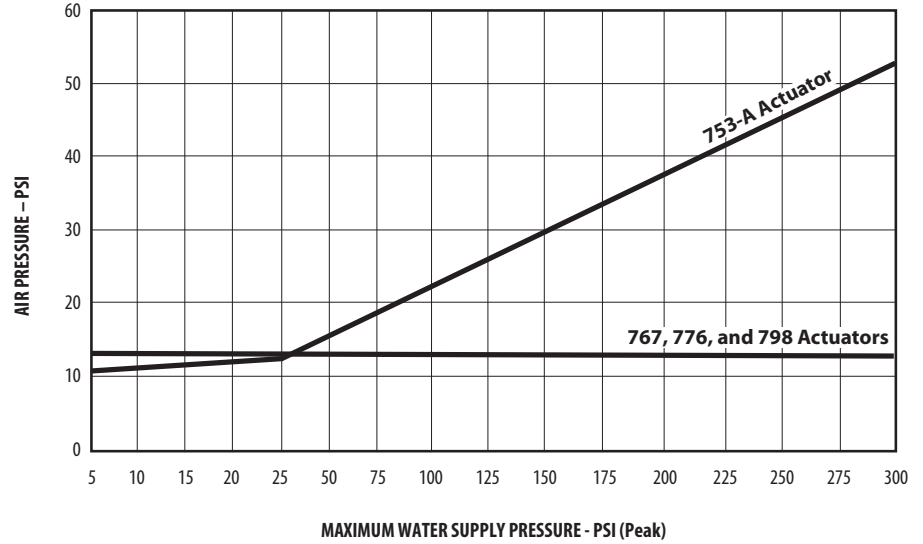


FireLock® Devices Air Maintenance Trim Assembly

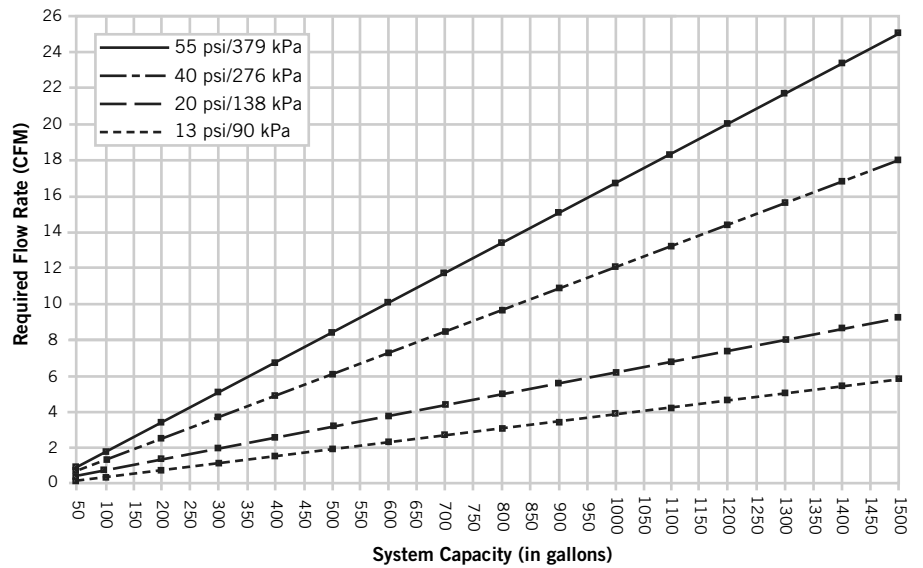
SERIES 757

RECOMMENDED AIR PRESSURE FOR DRY AND PNEUMATIC ACTUATED SYSTEMS

RECOMMENDED MINIMUM CUT-IN AIR PRESSURES



COMPRESSOR REQUIREMENTS



FireLock® Devices Air Maintenance Trim Assembly

SERIES 757

**PROPER AIR SUPPLIES FOR SERIES
756/SERIES 758/SERIES 768/SERIES 769
ACTUATED VALVES:**

1. When a riser or base mounted air compressor is being used to supply air to a dry valve or preaction system it is not necessary to use the air maintenance trim assembly with the air regulator. In this circumstance the air line of the compressor is connected to the valve trim at the fitting into which the Air Maintenance Trim is normally installed.

When the valve is used with this setup it is the engineer/system designer's responsibility to size the compressor so that the compressor brings the entire system to the required pressure in 30 minutes. The compressor must not be oversized to provide more air flow as this will slow down or possibly prevent the operation of the valve. It must further be emphasized that the base mounted compressor does not provide any backup air to the system and that continuous service (24 hours per day, 7 days per week) must be maintained in order to prevent the potential of false tripping of the valve due to loss of air pressure.

Additionally, due to the large on/off differential available on pressure switches that control base mounted compressors, the compressor pressure switch must be adjusted so that the "ON" contact of the pressure switch is set a minimum of 5 psi higher than the set point of the regulator.

2. When shop air or a tank mounted air compressor is being used, the Air Maintenance Trim Assembly (AMTA) must be used. The AMTA is designed to provide the proper air regulation to the sprinkler system which will assure the proper operation of the Fire Safety Valve.

In the event of a compressor becoming inoperative the tank mounted air compressor provides the greatest protection. With a properly sized tank, air can be continuously supplied to the sprinkler system for an extended period of time even with a loss of compressor.

WARRANTY

Refer to the Warranty section of the current Price List or contact Victaulic for details.

NOTE

This product shall be manufactured by Victaulic or to Victaulic specifications. All products to be installed in accordance with current Victaulic installation/assembly instructions. Victaulic reserves the right to change product specifications, designs and standard equipment without notice and without incurring obligations.



For complete contact information, visit www.victaulic.com

30.35 2515 REV E UPDATED 07/2020

VICTAULIC IS A REGISTERED TRADEMARK OF VICTAULIC COMPANY. © 2009 VICTAULIC COMPANY. ALL RIGHTS RESERVED.