



### Mueller Streamline Co. Headquarters

150 Schilling Blvd  
Suite 201  
Collierville, Tennessee 38017  
United States  
Phone: 901 753 3200

### Mueller Streamline Co. International

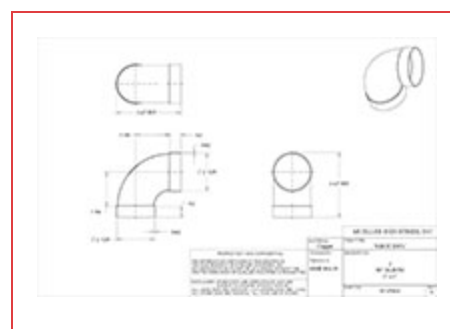
525 Okeechobee Blvd  
Suite 860  
West Palm Beach, FL 33401  
United States  
Phone: 561 273 8300

## ITEM # W 07403, 90° ELBOW, C X C, 2"

Streamline® Copper Solder-Joint Fittings for DWV plumbing applications are available in both wrought copper and cast bronze materials. Designed for use in non-pressurized sanitary systems, these fittings commonly feature shorter solder cup designs and more sweeping turns. They are available in a wide range of diameters styles and connections to meet most all sanitary system applications.

- For use in non-pressurized drain, waste and vent sanitary systems
- Constructed of high-grade copper or bronze

[+ more](#)



[Specifications](#) | [Dimensions](#) | [Details](#)

### Specifications

**Weight** 0.71 lb

**Material** WROT COPPER

[CDA Copper Fitting Design Team Profile](#)

**Operating Temperature**[CDA-Copper-Fitting-Pressue-Temp-Ratings](#)**Operating Pressure**[CDA-Copper-Fitting-Pressue-Temp-Ratings](#)**End Type**

C - Cup (Female Solder)

**End Size**

2 in

**Second End Type**

C - Cup (Female Solder)

**Second End Size**

2 in

**Standards**

ASME B16.23

ASME B16.29

**Dimensions****Overall Length**

3.76 in

**Overall Height**

3.76 in

**Overall Width**

2.22 in

**Details****Style**

DW-200

**Qty Pcs / Bag**

1

**Master Qty Pcs / Box**

50

**Mueller Description 1**

2 C X C DWV 90 ELL

**Mueller Description 2**

2 1/8CX2 1/8 OD 90 BND