



Mueller Streamline Co. Headquarters

150 Schilling Blvd
Suite 201
Collierville, Tennessee 38017
United States
Phone: 901 753 3200

Mueller Streamline Co. International

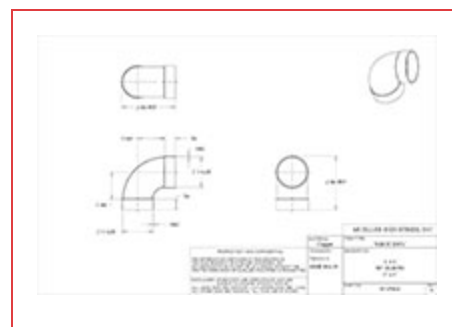
525 Okeechobee Blvd
Suite 860
West Palm Beach, FL 33401
United States
Phone: 561 273 8300

ITEM # W 07401, 90° ELBOW, C X C, 1-1/2"

Streamline® Copper Solder-Joint Fittings for DWV plumbing applications are available in both wrought copper and cast bronze materials. Designed for use in non-pressurized sanitary systems, these fittings commonly feature shorter solder cup designs and more sweeping turns. They are available in a wide range of diameters styles and connections to meet most all sanitary system applications.

- For use in non-pressurized drain, waste and vent sanitary systems
- Constructed of high-grade copper or bronze

[+ more](#)



[Specifications](#) | [Dimensions](#) | [Details](#)

Specifications

Weight 0.24 lb

Material WROT COPPER

[CDA Copper Fitting Design Team Returns](#)

Operating Temperature[CDA-Copper-Fitting-Pressue-Temp-Ratings](#)**Operating Pressure**[CDA-Copper-Fitting-Pressue-Temp-Ratings](#)**End Type**

C - Cup (Female Solder)

End Size

1 1/2 in

Second End Type

C - Cup (Female Solder)

Second End Size

1 1/2 in

Standards

ASME B16.23

ASME B16.29

Dimensions**Overall Length**

2.86 in

Overall Height

2.86 in

Overall Width

1.76 in

Details**Style**

DW-200

Qty Pcs / Bag

20

Master Qty Pcs / Box

100

Mueller Description 1

1-1/2 C X C DWV 90 ELL

Mueller Description 2

1 5/8X1 5/8OD90 1/4BND