

# Product data sheet

## Characteristics

# HOM220

Mini circuit breaker, Homeline, 20A, 2 pole, 120/240 VAC, 10 kA AIR, standard type, plug in mount

Product availability : Stock - Normally stocked in distribution facility



Price\* : 60.00 USD



### Main

Product	Miniature circuit-breaker
Range	Homeline
Current Rating	20 A
Certifications	UL Listed
Voltage Rating	120/240 V AC
Mounting Type	Plug-in
Number of Poles	2P
Short Circuit Current Rating	10 kA
Number of Spaces	2
Circuit Breaker Type	Standard
Ratings	HACR rated
Electrical Connection	Clamp terminal for 2 cables
Wire Size	AWG 14...AWG 8 aluminium/copper)1 AWG 14...AWG 10 copper)2

### Complementary

Tightening torque	35.40 lbf.in (4.0 N.m) 0.00...0.02 in <sup>2</sup> (2.5...10 mm <sup>2</sup> ) (AWG 16...AWG 14) 35.40 lbf.in (4.0 N.m) 0.01...0.03 in <sup>2</sup> (4...20 mm <sup>2</sup> ) (AWG 12...AWG 4)
Maximum Height	3.13 in (79.50 mm)
Maximum Width	2 in (50.80 mm)
Maximum Depth	2.98 in (75.69 mm)

\* Price is "List Price" and may be subject to a trade discount – check with your local distributor or retailer for actual price.

## Environment

Ambient Air Temperature for Operation	104 °F (40 °C)
---------------------------------------	----------------

## Ordering and shipping details

Category	00046 - HOM/T 15-30A 1P; 15-60A 2P
Discount Schedule	DE3D
GTIN	00785901065289
Nbr. of units in pkg.	1
Package weight(Lbs)	10.41 oz (295 g)
Returnability	Yes
Country of origin	MX

## Packing Units

Unit Type of Package 1	PCE
Package 1 Height	2.00 in (5.08 cm)
Package 1 width	3.00 in (7.62 cm)
Package 1 Length	3.00 in (7.62 cm)
Unit Type of Package 2	BB1
Number of Units in Package 2	5
Package 2 Weight	3.40 lb(US) (1.542 kg)
Package 2 Height	2.90 in (7.366 cm)
Package 2 width	2.60 in (6.604 cm)
Package 2 Length	10.10 in (25.654 cm)
Unit Type of Package 3	CAR
Number of Units in Package 3	50
Package 3 Weight	35.05 lb(US) (15.898 kg)
Package 3 Height	10.60 in (26.924 cm)
Package 3 width	6.90 in (17.526 cm)
Package 3 Length	16.60 in (42.164 cm)

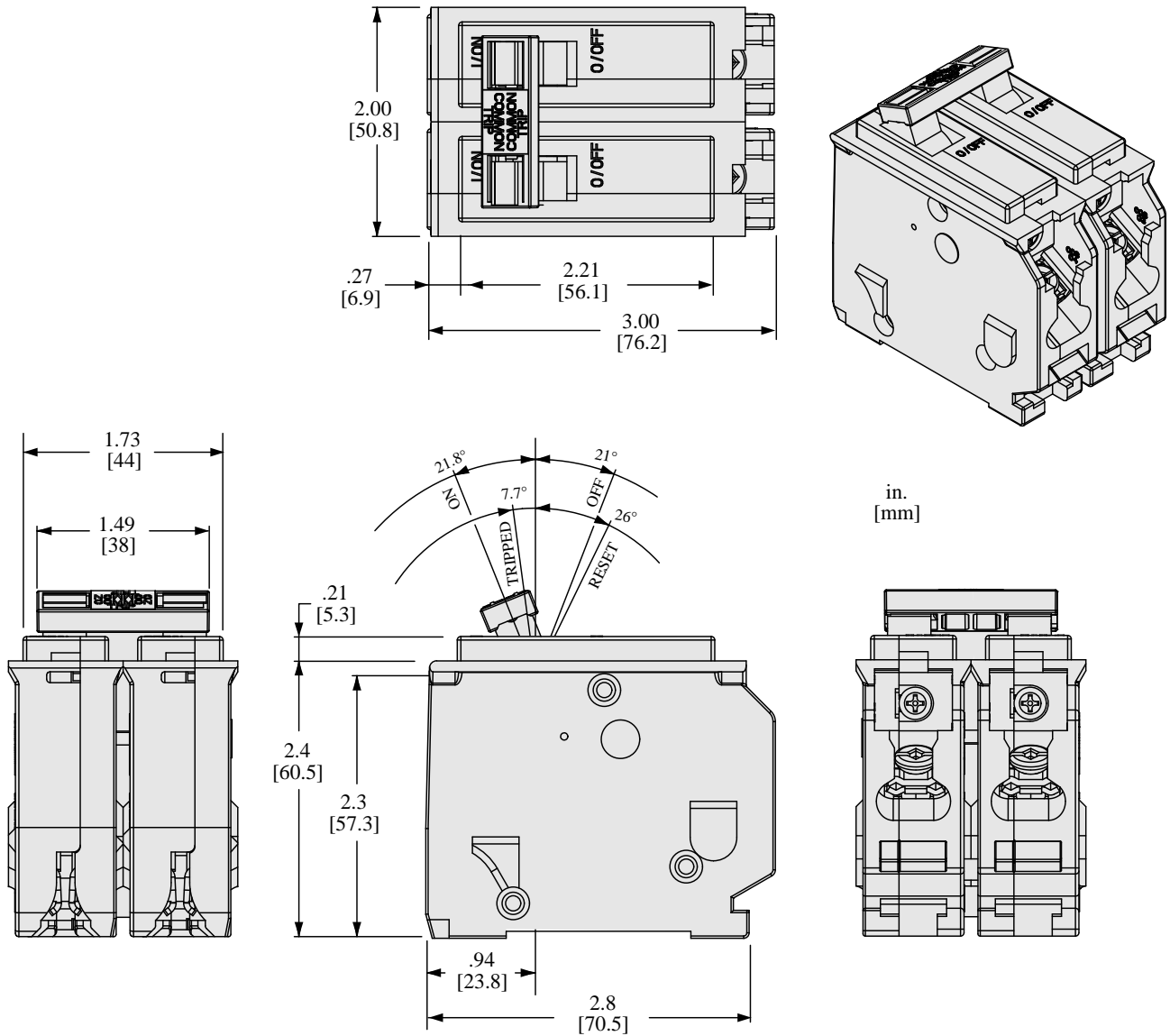
## Offer Sustainability

Sustainable offer status	Green Premium product
REACH Regulation	<a href="#">REACH Declaration</a>
REACH free of SVHC	Yes
EU RoHS Directive	Compliant <a href="#">EU RoHS Declaration</a>
Toxic heavy metal free	Yes
Mercury free	Yes
RoHS exemption information	<a href="#">Yes</a>
China RoHS Regulation	<a href="#">China RoHS declaration</a> Pro-active China RoHS declaration (out of China RoHS legal scope)
Environmental Disclosure	<a href="#">Product Environmental Profile</a>

## Contractual warranty

Warranty	Lifetime
----------	----------

Dimensions



All dimensions are approximate. Also refer to technical drawings and documentation.