

# Product data sheet

## Characteristics

# HOM120CP

Mini circuit breaker, Homeline, 20A, 1 pole, 120/240 VAC, 10 kA AIR, standard type, plug in mount

Product availability : Stock - Normally stocked in distribution facility



Price\* : 26.30 USD



### Main

Product	Miniature circuit-breaker
Range	Homeline
Current Rating	20 A
Certifications	UL Listed
Voltage Rating	120/240 V AC
Mounting Type	Plug-in
Number of Poles	1P
Short Circuit Current Rating	10 kA
Number of Spaces	1
Circuit Breaker Type	Standard
Ratings	HACR and Switching Duty rated
Electrical Connection	Clamp terminal for 2 cables
Wire Size	AWG 14...AWG 8 aluminium/copper)1 AWG 14...AWG 10 copper)2
Type of Packing	Consumer packaging

### Complementary

Tightening torque	35.40 lbf.in (4.0 N.m) 0.00...0.01 in <sup>2</sup> (2.5...6 mm <sup>2</sup> ) (AWG 14...AWG 8)
Maximum Height	3.13 in (79.50 mm)
Maximum Width	1 in (25.40 mm)
Maximum Depth	2.98 in (75.69 mm)

\* Price is "List Price" and may be subject to a trade discount – check with your local distributor or retailer for actual price.

## Environment

Ambient Air Temperature for Operation	104 °F (40 °C)
---------------------------------------	----------------

## Ordering and shipping details

Category	01321 - HOMELINE 1 POLE BULK BRK
Discount Schedule	CPH
GTIN	00047569062711
Nbr. of units in pkg.	10
Package weight(Lbs)	0.25 lb(US) (0.11 kg)
Returnability	Yes
Country of origin	US

## Packing Units

Unit Type of Package 1	PCE
Package 1 Height	1.20 in (3.048 cm)
Package 1 width	3.00 in (7.62 cm)
Package 1 Length	3.00 in (7.62 cm)
Unit Type of Package 2	BB1
Number of Units in Package 2	10
Package 2 Weight	2.95 lb(US) (1.338 kg)
Package 2 Height	3.10 in (7.874 cm)
Package 2 width	3.00 in (7.62 cm)
Package 2 Length	10.10 in (25.654 cm)
Unit Type of Package 3	CAR
Number of Units in Package 3	100
Package 3 Weight	29.70 lb(US) (13.472 kg)
Package 3 Height	10.60 in (26.924 cm)
Package 3 width	6.80 in (17.272 cm)
Package 3 Length	16.70 in (42.418 cm)

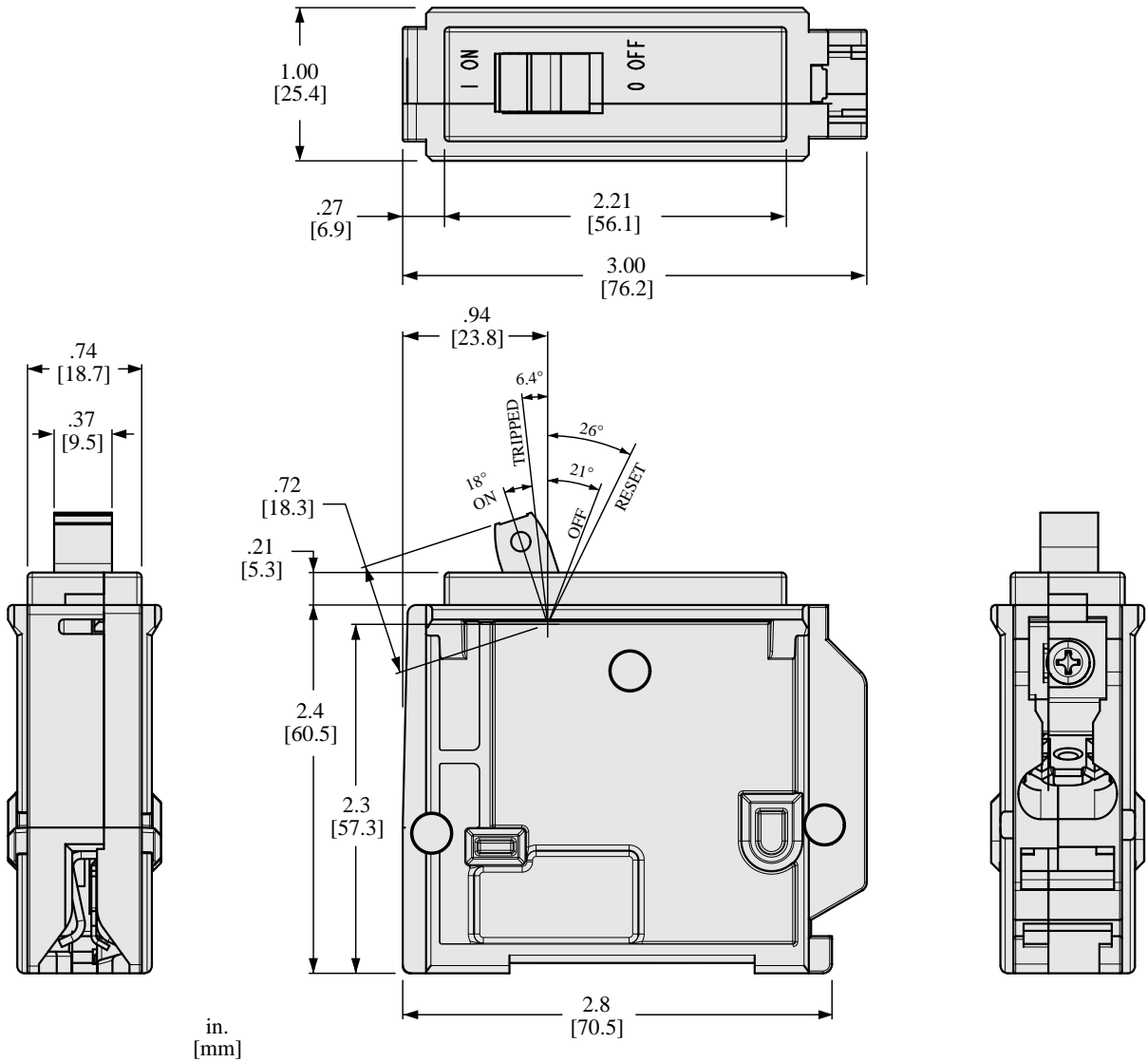
## Offer Sustainability

Sustainable offer status	Green Premium product
REACH Regulation	<a href="#">REACH Declaration</a>
REACH free of SVHC	Yes
EU RoHS Directive	Compliant <a href="#">EU RoHS Declaration</a>
Toxic heavy metal free	Yes
Mercury free	Yes
RoHS exemption information	<a href="#">Yes</a>
China RoHS Regulation	<a href="#">China RoHS declaration</a> Pro-active China RoHS declaration (out of China RoHS legal scope)
Environmental Disclosure	<a href="#">Product Environmental Profile</a>

## Contractual warranty

Warranty	Lifetime
----------	----------

## Dimensions



All dimensions are approximate. Also refer to technical drawings and documentation.