

Part No: 806-012C

Schedule 80 PVC & CPVC

Elbow

Desc: 1-1/4 CPVC 90 ELL SOC SCH80

MSRP: 52.01

Part Code: 090

Weight(lbs): 0.311

Weight(kg): 0.141

Weight(gm): 141

Size: 1-1/4"

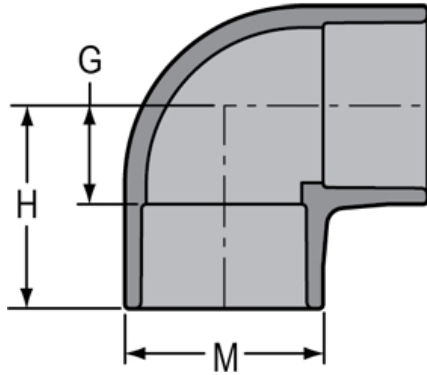
Color: GRAY

Material: CPVC

Connection Socket x Socket

Angle 90°

Type Standard



G = 1-1/32

H = 2- 9/32

M = 2-3/32

Injection Molded Dimension References:

G = (LAYING LENGTH) intersection of center lines to bottom of socket/thread; 90° elbows, tees, crosses; ± 1/32 inch.

H = Intersection of center lines to face of fitting; 90° elbows tees, crosses; ± 1/32 inch.

J = Intersection of center lines to bottom of socket/thread; 45° elbows; ± 1/32 inch

L = Overall length of fittings; ± 1/16 inch.

M = Outside diameter of socket/thread hub; ± 1/16 inch.

N = Socket bottom to socket bottom; couplings; ± 1/16 inch.

W = Height of cap; ± 1/16 inch

Typical Molded Dimension References

