

Original - Cast Nickel Brass construction.



A CSW Industrials Company



Original G-O-N

- Solid cast nickel brass
- 2-piece construction
- Limited Lifetime Warranty
- Timeless architectural style
- Solvent welds directly to drain pipe
- Professional on-site finish
- Multiple sizes
- Anti-theft escutcheon

US Patent No. 7,618,067

Flow with the best.

Only G-O-N brand nozzles can offer installers labor savings, a glue-on downspout finish and the choice of timeless architectural style in both metal and high impact polymer.

High Impact Polymer construction.



Dura G-O-N

- Durable, colorfast, high impact, marine grade polymer
- 10 times the weathering resistance of ABS
- Timeless style with the look of oil rubbed bronze
- Solvent welds directly to drain pipe
- Professional on-site finish

G-O-N[®]

Glue-on nozzle installs directly onto PVC drain pipe.

Code	G-O-N Kit	Qty
82700	2 in.	1
82703	3 in.	1
82706	4 in.	1
82708	6 in.	1
82710	8 in.	1
82713	10 in.	1
82715	12 in.	1

Code	Dura G-O-N Kit	Qty
82763	3 in.	1
82764	4 in.	1
82766	6 in.	1

Code	Bird Screen*	Qty
82720	2 in.	1
82723	3 in.	1
82725	4 in.	1
82727	6 in.	1
82730	8 in.	1
82733	10 in.	1
82735	12 in.	1

* Fits both G-O-N and Dura G-O-N
US Patent No 7,618,067

WARNING: This product can expose you to chemicals including Lead, which is known to the State of California to cause cancer, birth defects or other reproductive harm. For more information, go to www.P65Warnings.ca.gov.

Application • G-O-N provides easier installation of downspout nozzle • PVC insert allows quick gluing.
• Eliminates the need for coordinating additional site work with masonry or stucco crews.

Action videos and full details [@rs.today/gon](https://rs.today/gon)



Caulk wall opening.



Anchor escutcheon.



Measure/cut pipe.

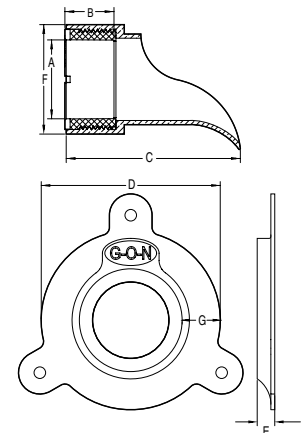


Solvent weld nozzle onto pipe and into escutcheon.

Dura G-O-N requires the mounting notch in the escutcheon and the nozzle be aligned for proper contact.

SPECIFICATIONS

G-O-N	Appox. weight in lbs.	A Inside dia.	B Hub depth	C Nozzle depth	D Escutcheon width	E Escutcheon depth	F Overall dimension	G Escutcheon width
2"	3	2.39"	1.5"	5.25"	5.8"	.50"	3.25"	1.25"
3"	5	3.52"	1.5"	5.37"	7.00"	.57"	4.50"	1.25"
4"	7	4.52"	1.5"	5.37"	8.1"	.57"	5.50"	1.25"
6"	10	6.65"	1.5"	5.62"	10.3"	.57"	7.50"	1.25"
8"	13	8.65"	1.5"	5.62"	12.4"	.57"	10.00"	1.25"
10"	21	10.78"	2.5"	6.50"	14.6"	.57"	12.00"	1.25"
12"	26	12.78"	2.5"	7.50"	16.6"	.50"	14.00"	1.25"



RectorSeal[®] 2601 Spenwick Drive - Houston, TX 77055 800-231-3345
For complete product info, visit rs.today/gon