

# WT

## Wedge Form Tie

The wedge tie (WT) is a form tie that secures concrete forms in place while the concrete is poured. It easily installs between form boards and accurately spaces the forms. Several models are available for varying wall thickness and types of form boards.

Designed for low foundation wall applications. 5/8"-wide formed "V" design for rigidity allows accurate form spacing and support. Sizes now available for composite form board.

**Material:** W1 — 14 gauge; WT — 18 gauge

**Finish:** Galvanized

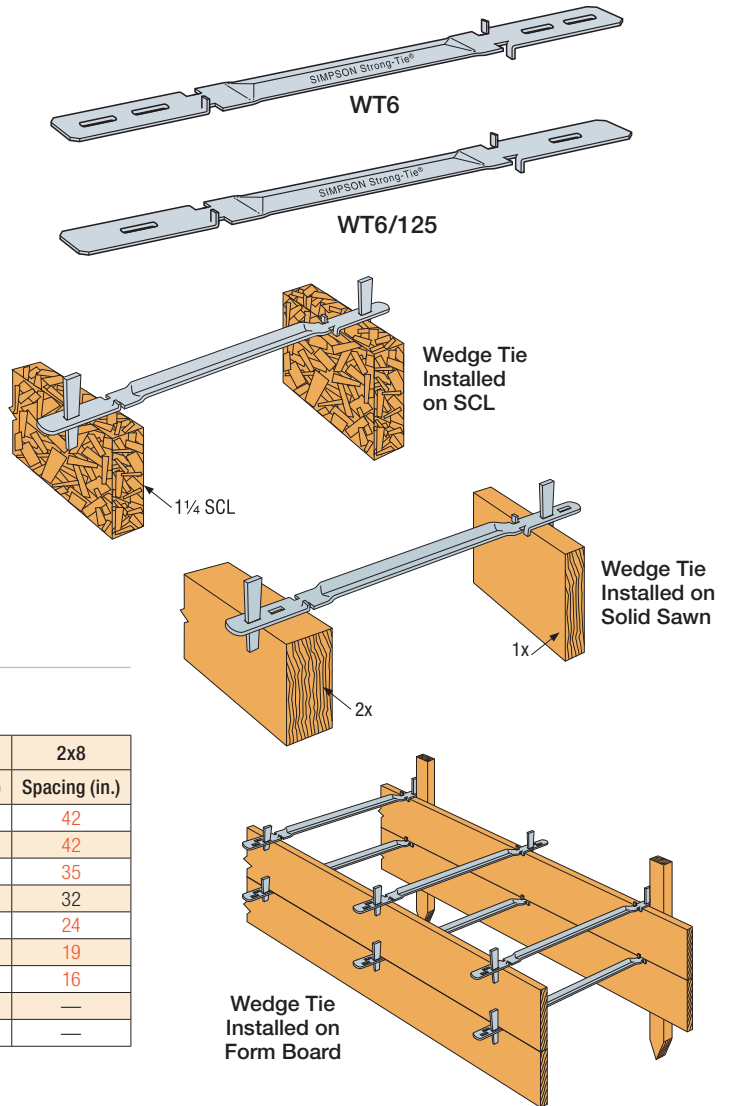
**Installation:**

- Two W1 wedges are required for each wedge tie
- Not recommended for wall pours greater than 4' high
- Wall thickness from 6" to 12"



Order wedges separately. Specify W1.

The spacing of the WTs along the length of the form depends on the depth of the WT in the form. The spacing does not depend on the thickness of the wall. The maximum recommended spacing for WTs used with 1x, 2x and 1 1/4" thick forms is outlined in the tables below. The tables give spacing guidelines for various form heights and types of form boards. In general, the higher the form is, the closer the spacing of the WTs should be.



### For Solid Sawn

Location (see Fig. 1)	Depth of Form (in.)	1x6	2x6	Depth of Form (in.)	1x8	2x8
		Spacing (in.)	Spacing (in.)		Spacing (in.)	Spacing (in.)
Top of Form	0	27	45	0	25	42
1	5.5	27	45	7.25	25	42
2	11	22	38	14.5	21	35
3	16.5	20	34	21.75	19	32
4	22	19	32	29	17	24
5	27.5	18	30	36.25	16	19
6	33	17	28	43.5	15	16
7	38.5	16	24	—	—	—
8	44	15	21	—	—	—

1. Note: Form board design by others.

### For Solid Sawn

Location (see Fig. 1)	Depth of Form (in.)	1x10	2x10	Depth of Form (in.)	1x12	2x12
		Spacing (in.)	Spacing (in.)		Spacing (in.)	Spacing (in.)
Top of Form	0	23	40	0	22	38
1	9.25	23	40	11.25	22	38
2	18.5	20	30	22.5	19	20
3	27.75	18	20	33.75	13	13
4	37	15	15	45	10	10
5	46.25	12	12	—	—	—

1. Note: Form board design by others.

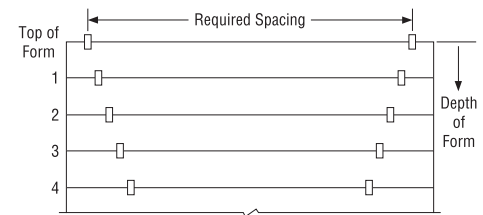


Figure 1 — Spacing Locations (side view)

### For SCL

Location (see Fig. 1)	Depth of Form (in.)	1 1/4" x 9 1/2"	Depth of Form (in.)	1 1/4" x 11 7/8"	Depth of Form (in.)	1 1/4" x 14"	Depth of Form (in.)	1 1/4" x 16"
		Spacing (in.)		Spacing (in.)		Spacing (in.)		Spacing (in.)
Top of Form	0	34	0	32	0	26	0	20
1	9.5	34	11.875	32	14	26	16	20
2	19	28	23.75	18	28	13	32	10
3	28.5	19	35.625	12	42	8	48	6
4	38	14	47.5	9	—	—	—	—
5	47.5	11	—	—	—	—	—	—

1. Note: Form board design by others.

Model No.		Wall Thickness (in.)
Solid Sawn	SCL	
WT6	WT6/125	6
WT8	WT8/125	8
WT10	—	10
WT12	—	12

1. Note: Form board design by others.  
2. Order two W1 wedges for each WT wedge tie.