

E-Z Base™ / E-Z Mender™ / E-Z Spike™

Fence Products

Replacing an entire fence can be an expensive and difficult task. Simpson Strong-Tie offers a line of products designed to help make reinforcing fence posts easy and economical. The E-Z Base™, E-Z Mender™ and E-Z Spike™ offer simple solutions for all types of fence post projects.

E-Z Spike (Model No. FPBS44)

- Allows easy installation of 4x4 wood posts without digging holes or pouring concrete
- Can be used for a variety of applications where quick-to-install posts are needed

E-Z Mender (Model No. FPBM44E)

- Allows easy repair of rotted or damaged 4x4 wood posts installed in concrete or dirt
- Reinforces weakened wood posts without having to replace the post or the concrete
- Sold individually; use in pairs

E-Z Base (Model No. FPBB44)

- Allows easy installation of 4x4 wood posts on existing concrete

Material: 12 gauge

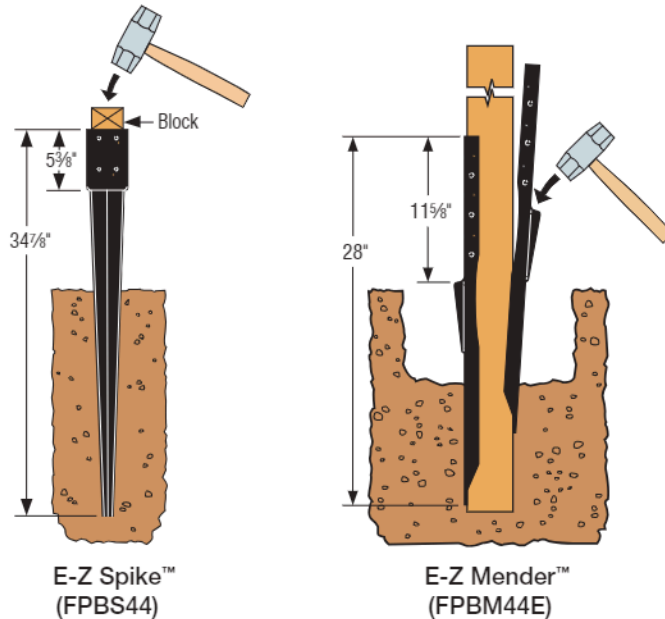
Finish: Black powder coat

Installation:

- See flier F-C-EZFPP at strongtie.com
- E-Z Spike: attach post with (4) ¼" Strong-Drive® SDS Heavy-Duty Connector screws or (4) #10 x 1½" SD Connector screws
- E-Z Base: attach with (8) #9 x 1½" or #10 x 1½" Strong-Drive SD Connector screws
- E-Z Mender: use (6) #9 x 1½" or #10 x 1½" Strong-Drive SD Connector screws per part
- Post bases do not provide adequate resistance to prevent rotation about the base and therefore are not recommended for non-top-supported installations such as fences or unbraced structures

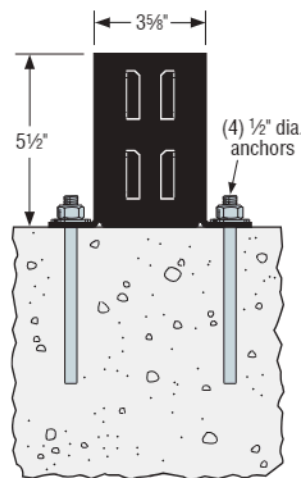
Web Applications:

Visit app.strongtie.com/fps to access our Fence Planner Software™.

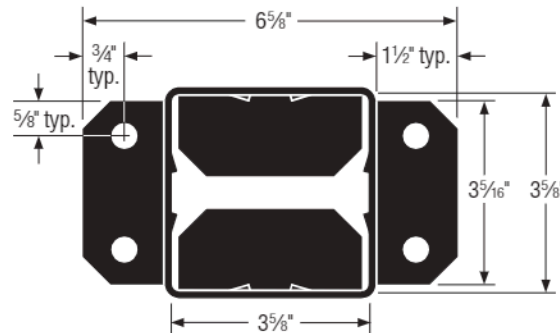


E-Z Spike™
(FPBS44)

E-Z Mender™
(FPBM44E)



E-Z Base™
(FPBB44)



E-Z Base™ (FPBB44) Top View

SD Many of these products are approved for installation with Strong-Drive SD Connector screws. See pp. 362–366 for more information.

Warning: The E-Z Base and E-Z Spike products should not be used for solid fences in excess of 4' in height or that are unprotected from wind forces. These products are not rated for uplift loads, and should not be used with posts for overhead structures or any other structure that requires resistance to wind uplift loads. Notwithstanding the terms of the Limited Warranty, Simpson Strong-Tie does not guarantee, represent or warrant that this product will prevent or reduce damage caused by corrosion, or any seismic, wind, atmospheric, or other load-producing event.