

BP/LBP/RP6

Bearing Plates

Bearing plates give greater bearing surface than standard cut washers, and help distribute the load at these critical connections.

The BP1/2-3 and BP5/8-3 are 3" x 3" bearing plates that meet the latest requirements of the IRC® and IBC®. These plate washers are available uncoated or with a hot-dip galvanized (HDG) coating.

The BPS and LBPS are bearing plates that offer increased flexibility while meeting the latest requirements of the code for 2x4 and 2x6 walls. The slotted hole allows for adjustability to account for bolts that are not in the middle of the sill plate.

The BP5/8SKT uses 1/4" x 1 1/2" Strong-Drive® SDS Heavy-Duty Connector screws to provide lateral resistance when 5/8" diameter sill holes are overdrilled (screws are provided). The shear capacity of the connection and the sill/anchor bolt shall be determined by the designer for each installation.

The RP6 retrofit plate is installed on the outside of masonry buildings and helps tie the walls to the roof or floor structure with a 3/4"-diameter rod.

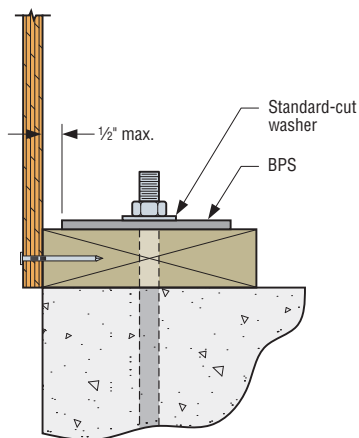
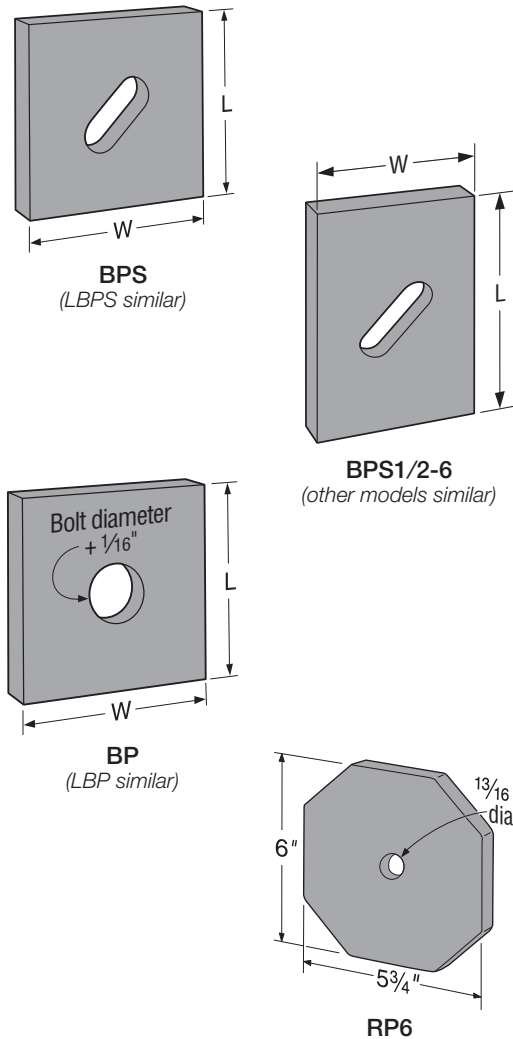
Material: See table

Finish: LBP, LBPS — galvanized; BP7/8-2, BP5/8S — zinc plated; BPS, BP — none; RP6 — Simpson Strong-Tie gray paint. BPs, BPSs and RP6 may be ordered HDG; LBP and LBPS products may be ordered ZMAX®. BPs available in black powder coat; add PC to model number.

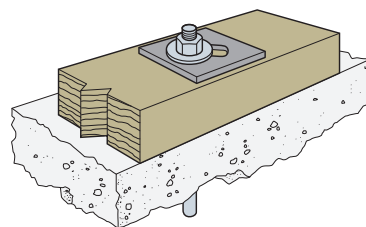
Installation:

- See General Notes.
- BP/BPS — For shearwall applications, position edge of plate washer within 1/2" of sheathed edge of sill plate.
- BPS-6 plate washers are sized to accommodate the 1/2" from the sheathed edge in single- and double-sheathed 2x6 walls.
- Standard-cut washer required with BPS slotted bearing plates. Washer not required when used with Titen HD® heavy-duty screw anchors.

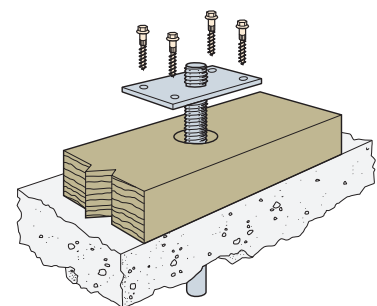
Codes: See p. 13 for Code Reference Key Chart; 2012/2015/2018/2021 IRC R602.11.1, 2015/2021 SDPWS 4.3.6.4.3



Typical BPS Installed
as a Shear Anchor



Typical BPS Installation



The BP5/8SKT is used
when 5/8" diameter sill bolt
holes are overdrilled

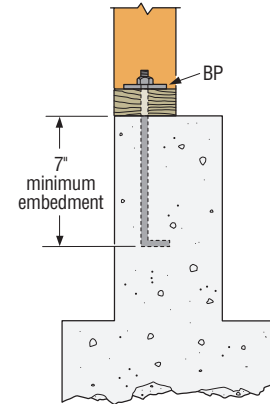
BP/LBP/RP6

Bearing Plates (cont.)

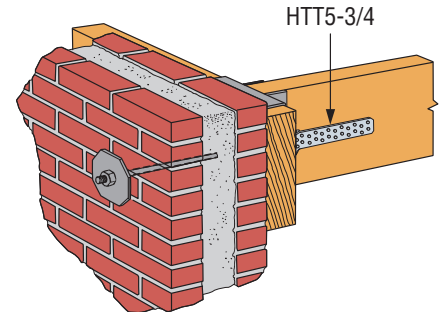
These products are available with additional corrosion protection. For more information, see p. 16.

Bolt Diameter (in.)	Model No.	Thickness	Dimensions (in.)		Code Ref.
			W	L	
3/8	BP 3/8-2	3/16"	2	2	IBC®, FL
1/2	LBP 1/2	9/64"	2	2	PR
	LBPS 1/2	9/64"	3	3	
	BPS 1/2-3	3 ga.	3	3	
	BPS 1/2-6	3 ga.	3	4 1/2	
	BP 1/2	3/16"	2	2	IBC, FL
	BP 1/2-3	3 ga.	3	3	
5/8	LBP 5/8	9/64"	2	2	PR
	LBPS 5/8	9/64"	3	3	
	BPS 5/8-3	3 ga.	3	3	
	BPS 5/8-6	3 ga.	3	4 1/2	
	BP 5/8-2	3/16"	2	2	IBC, FL
	BP5/8SKT	3 ga.	4	2	PR
	BP 5/8	1/4"	2 1/2	2 1/2	IBC, FL
	BP 5/8-3	3 ga.	3	3	
3/4	BP 3/4-3	3 ga.	3	3	PR
	BPS 3/4-3	3 ga.	3	3	
	BPS 3/4-6	3 ga.	3	4 1/2	
	RP6	3/8"	6	5 3/4	
7/8	BP 7/8-2	3/8"	1 15/16	2 1/4	PR
	BP 7/8-R	5/16"	3	3	
1	BP1	3/8"	3 1/2	3 1/2	

1. BP5/8SKT sold as a kit.
2. Standard-cut washer required with BPS 1/2-3, BPS 5/8-3, BPS 3/4-3, BPS 1/2-6, BPS 5/8-6, and BPS 3/4-6 (sold separately) per the 2012/2015/2018/2021 IRC® and 2015/2021 SDPWS.
3. 3 gauge is 0.229".



Typical BP Installed with a Mudsill Anchor Bolt



Typical RP6 Installation

Your Resource for URM Building Retrofit

Unreinforced masonry (URM) construction was commonplace from the 1800s up through the early 1900s. Unfortunately, unretrofitted URM structures are at a high risk of incurring major damage or failing in a significant lateral-load event, such as an earthquake. Visit our URM Retrofit Solutions page at strongtie.com/urmretrofit to access the tools for assessing and designing needed retrofits to mitigate risk to life, reduce damage and recovery time, and safeguard the historic integrity of these structures.

URM Building Retrofit Applications

Explore Retrofit Applications

- | | |
|------------------------------------|---|
| 1 Parapet Bracing | 5 Lateral Shear Resistance |
| 2 Wall-to-Roof Anchorage | 6 Diaphragm Strengthening |
| 3 Wall-to-Floor Anchorage | 7 Veneer Anchoring and Stitching |
| 4 Out-of-Plane Wall Bracing | 8 Concrete Foundation |

