

The logo features the word "Saw" in a bold, black, sans-serif font and "Stop" in a bold, red, italicized sans-serif font. The text is set against a grey, jagged-edged circular background that resembles a saw blade's cut. The entire logo is positioned in the upper half of the page.

# SawStop

A solid red horizontal banner spans the width of the page, containing the title text in white.

## **SLIDING CROSSCUT TABLE** INSTALLATION GUIDE

A detailed technical line drawing of a sliding crosscut table is shown in the background. It illustrates the various components including the table base, the sliding table, the blade assembly, and adjustment mechanisms like a hand crank and a dial. The drawing is rendered in a light grey color.

**MODEL TSA-SA48**



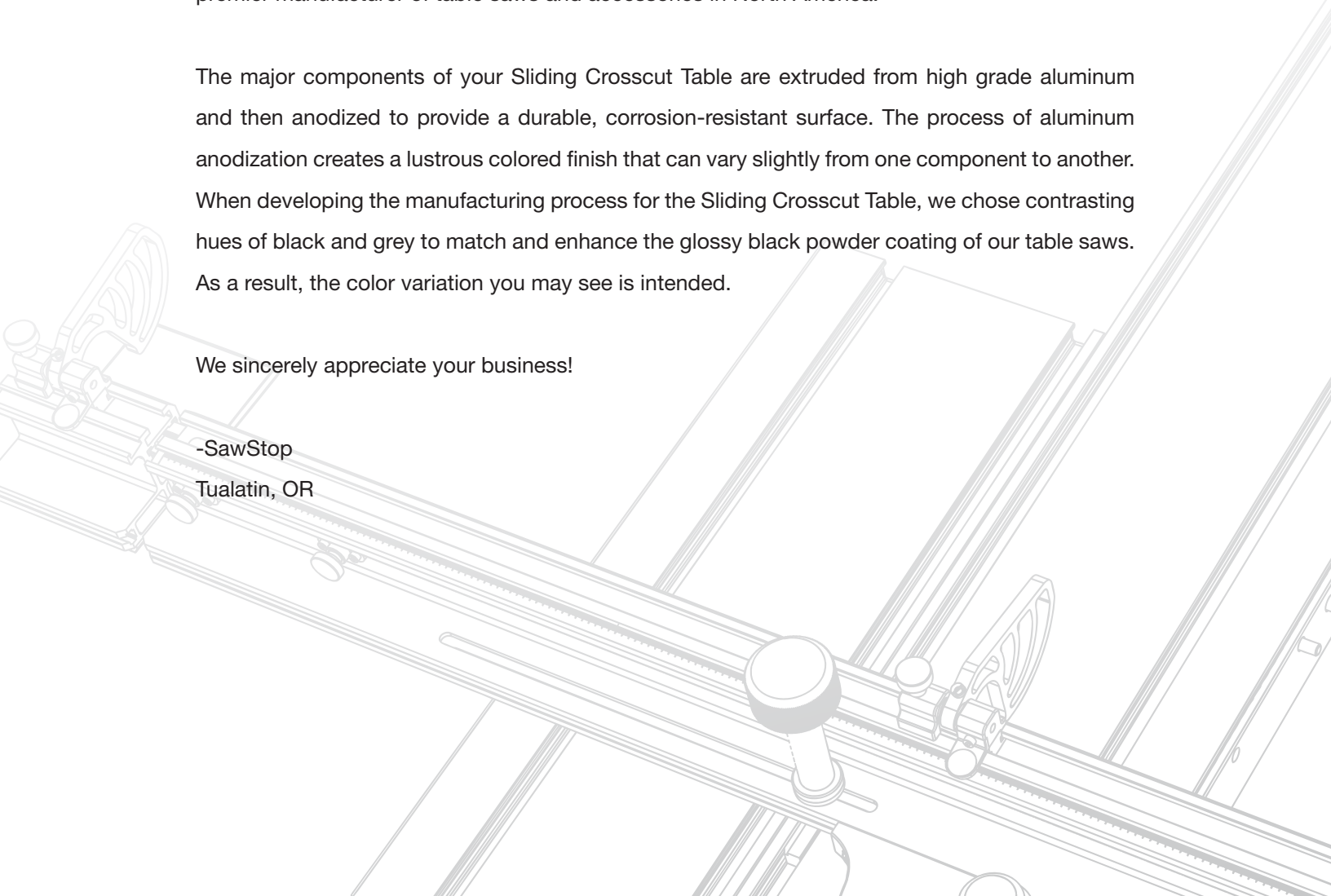
## ***A NOTE ABOUT COLOR VARIATIONS AMONG ANODIZED ALUMINUM COMPONENTS***

Congratulations on the purchase of this SawStop Sliding Crosscut Table. We at SawStop have worked very hard to bring this product to you with the features and quality you expect from the premier manufacturer of table saws and accessories in North America.

The major components of your Sliding Crosscut Table are extruded from high grade aluminum and then anodized to provide a durable, corrosion-resistant surface. The process of aluminum anodization creates a lustrous colored finish that can vary slightly from one component to another. When developing the manufacturing process for the Sliding Crosscut Table, we chose contrasting hues of black and grey to match and enhance the glossy black powder coating of our table saws. As a result, the color variation you may see is intended.

We sincerely appreciate your business!

-SawStop  
Tualatin, OR



# TABLE OF CONTENTS:

- Product Specifications.....2
- Parts Inventory.....3
- Modifying Your Table Saw.....4
- Mounting Options.....5
- Installing with the Extension Wing.....7
- Installing without the Extension Wing.....13
- Operations.....21
- Sliding Table Attachment Exploded View.....22
- Sliding Table Attachment Parts List.....24

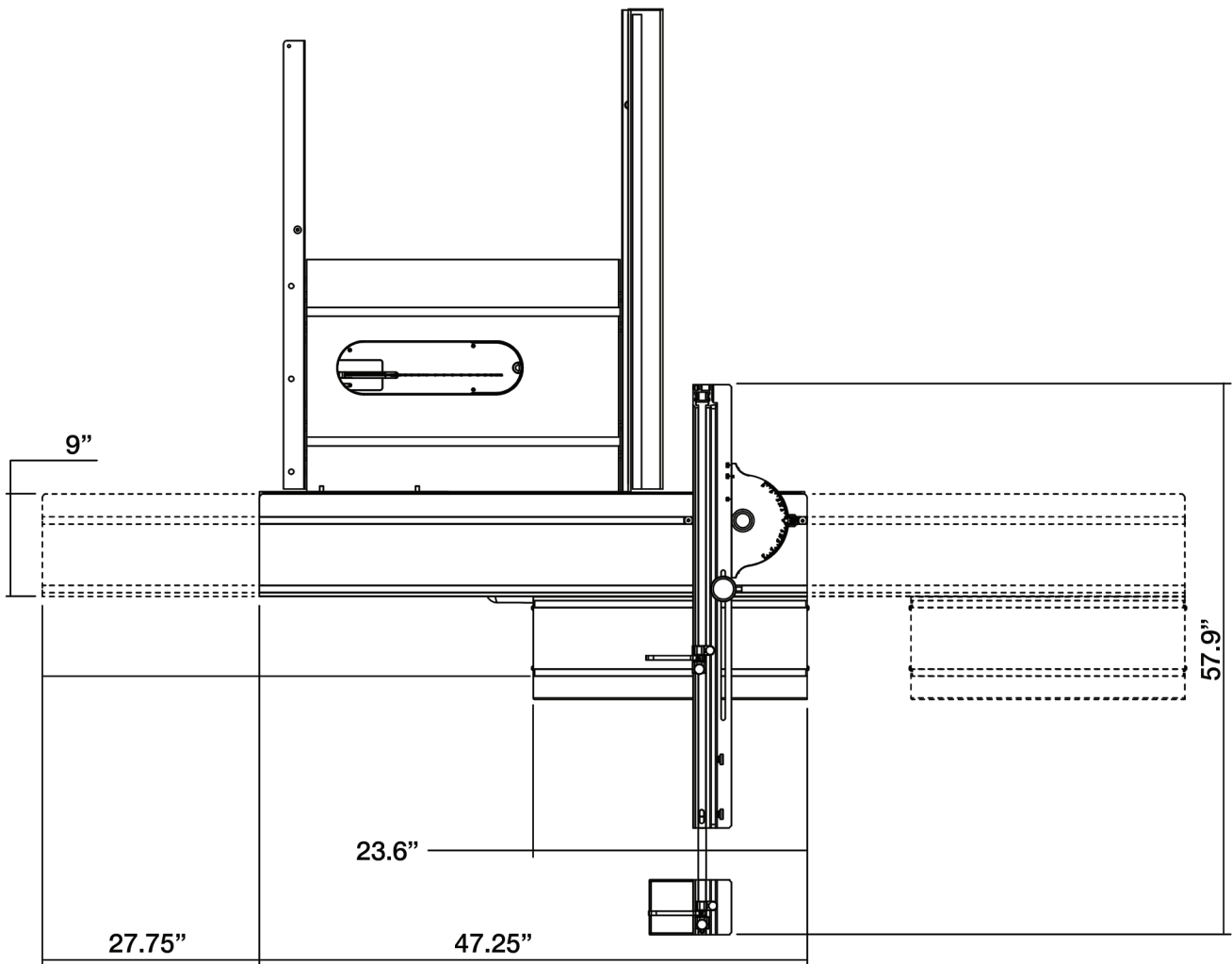


These icons refer to the three different models of SawStop table saws compatible with the Sliding Crosscut Table: Industrial Cabinet Saws, Professional Cabinet Saws and Contractor Saws. If an installation step includes one or more of these icons, the step should only be performed if you are mounting the Sliding Crosscut Table to that model of saw. If an installation step does not include an icon, the step should be performed for all models of saw.

# PRODUCT SPECIFICATIONS:

SLIDING TABLE.....	9" x 47"
EXTENSION TABLE.....	9" x 23.6"
MAXIMUM TABLE TRAVEL.....	60"
MAXIMUM CROSSCUTTING LENGTH.....	60"
MAXIMUM RIP CAPACITY (STANDARD MOUNTING).....	48"
MAXIMUM RIP CAPACITY (FLUSH MOUNTING).....	37"
WEIGHT CAPACITY FULLY EXTENDED.....	110 lbs
NET WEIGHT.....	70 lbs

## STANDARD MOUNTING CONFIGURATION WITHOUT WING



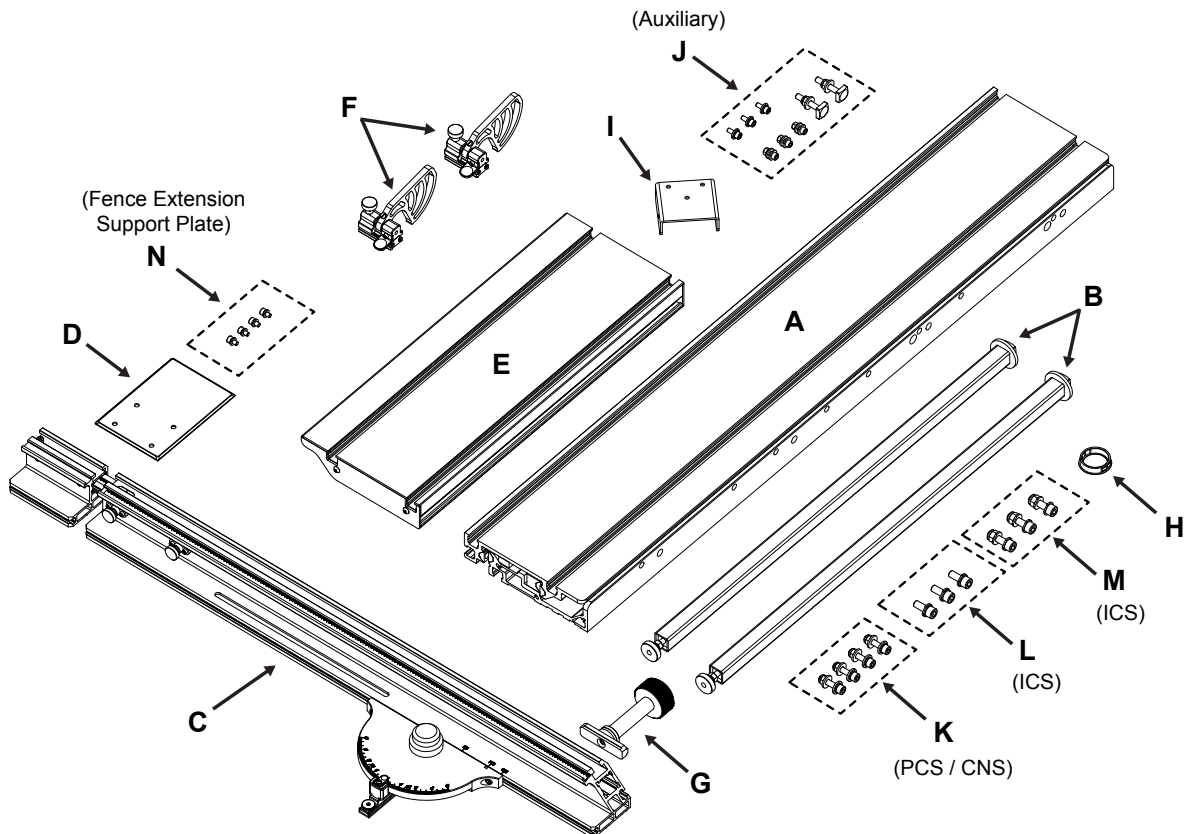
# PARTS INVENTORY:

The Sliding Crosscut Table is shipped partially assembled. Please unpack the parts carefully and confirm you have received each item on the list below.

<b>A. SLIDING TABLE ASSEMBLY</b> .....	1
<b>B. SUPPORT LEG ASSEMBLY</b> .....	2
<b>C. FENCE ASSEMBLY</b> .....	1
<b>D. FENCE EXTENSION SUPPORT PLATE</b> .....	1
<b>E. EXTENSION TABLE ASSEMBLY</b> .....	1
<b>F. FLIP STOP ASSEMBLY</b> .....	2
<b>G. KNURLED PIVOT HANDLE ASSEMBLY</b> .....	1
<b>H. 2" GROMMET FOR CNS SAWS</b> .....	1
<b>I. SWITCH BOX MOUNTING BRACKET</b> .....	1
<b>J. AUXILIARY HARDWARE PACK:</b>	
Cap Screw M6x1.0x16.....	6
Lock Washer M6.....	6
Flat Washer M6.....	9
Nut M6.....	3
T-Bolt M8x1.25x35.....	2
Flat Washer M8.....	2
Lock Nut M8.....	2

<b>K. PCS/CNS TABLE OR WING MOUNTING HARDWARE PACK:</b>	
Cap Screw M8x1.25x35.....	4
Lock Washer M8.....	4
Flat Washer M8.....	8
Lock Nut M8.....	4
<b>L. ICS TABLE MOUNTING HARDWARE PACK:</b>	
Cap Screw M10x1.5x25.....	3
Lock Washer M10.....	3
D-style Flat Washer M10.....	3
<b>M. ICS WING MOUNTING HARDWARE PACK:</b>	
Cap Screw M10x1.5x35.....	3
D-style Flat Washer M10.....	6
Lock Nut M10.....	3
<b>N. FENCE EXTENSION SUPPORT PLATE MOUNTING HARDWARE PACK:</b>	
Cap Screw M6x1x10.....	4
Lock Washer M6.....	4
Flat Washer M6.....	4

**!** If you cannot find an item on this list, check the mounting locations or examine the packaging materials very carefully. Certain components may have been pre-installed for shipping purposes.



# ***MODIFYING YOUR TABLE SAW:***

Before mounting the Sliding Crosscut Table, you may need to modify your table saw. Some of the steps below involve removing/ installing your rails and extension wing. For those steps please refer to your table saw manual and fence manual. (You can download copies of your manuals at [www.sawstop.com](http://www.sawstop.com).)

**!** **WARNING:** Disconnect your table saw from electrical power before beginning any modifications.

**For Unassembled Saws:** If your saw has not yet been assembled, you will first need to pre-install the rails to mark them for cutting. If you plan to mount the Sliding Crosscut Table with the left extension wing, begin by installing and aligning the left extension wing as described in the installation documentation for your table saw. If you plan to mount the Sliding Crosscut Table without the left extension wing, then do not install the wing for this step. Next, install your rail assembly to the saw as described in your fence manual. It is not necessary to install every screw or to fully align and tighten your rails at this time.

Now proceed to page 7 if you plan to install the Sliding Crosscut Table with the left extension wing.

Alternatively, proceed to page 13 if you plan to install the Sliding Crosscut Table without the left extension wing.

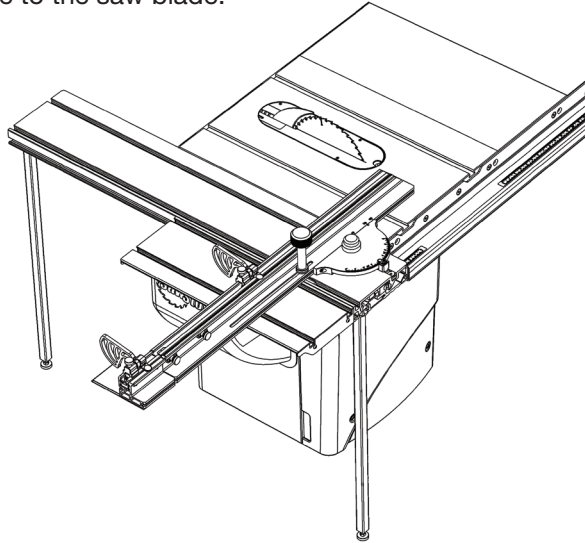
# MOUNTING OPTIONS

The SawStop Sliding Crosscut Table can be mounted to your SawStop table saw in any of four different configurations depending on your needs.

## FLUSH MOUNTING WITHOUT LEFT WING

Option 1 of 4  
Start on Page 13

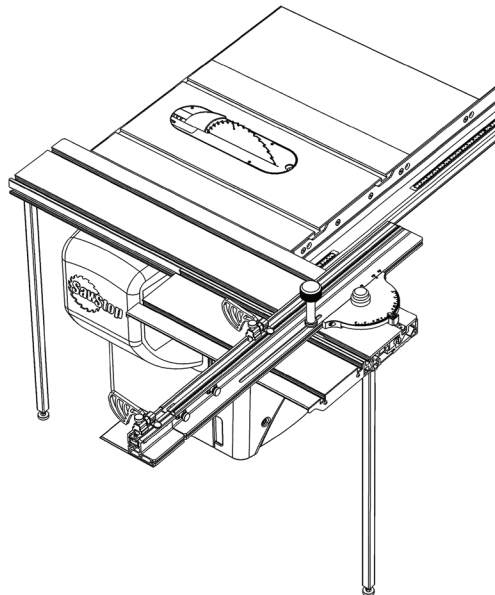
This configuration minimizes the total footprint of the table saw and crosscut table, but the ripping length is reduced from 48 inches to 37 inches. Since the left wing is not installed, the crosscut table is close to the saw blade.



## STANDARD MOUNTING WITHOUT LEFT WING

Option 2 of 4  
Start on Page 13

This configuration provides the maximum ripping length and the closest position of the Crosscut Table to the saw blade.

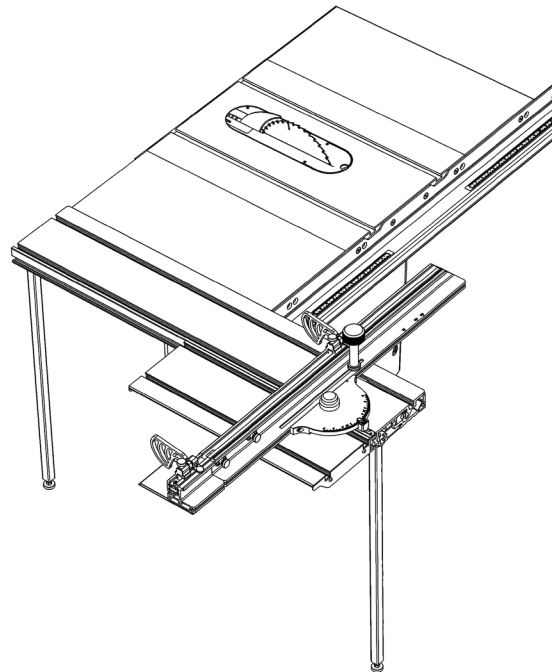


# MOUNTING OPTIONS

## STANDARD MOUNTING WITH LEFT WING

Option 3 of 4  
Start on Page 7

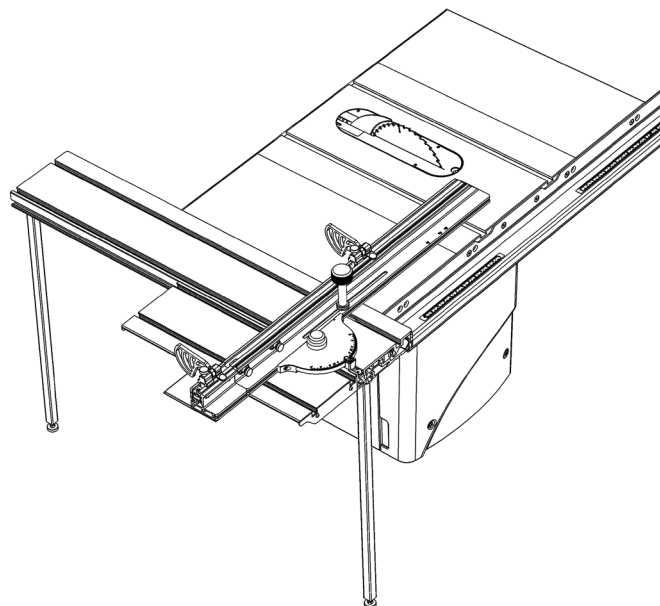
This configuration provides the maximum ripping length while also maintaining the additional support to the left of the blade provided by the left extension wing.



## FLUSH MOUNTING WITH LEFT WING

Option 4 of 4  
Start on Page 7

This configuration reduces the front-to-back footprint of the saw and crosscut table while maintaining the additional support to the left of the blade provided by the left extension wing.



## **Modifying your table saw to install the Sliding Crosscut Table with the Left**

**Extension Wing:** If the left ends of the front and rear rails do not extend past the left edge of the left extension wing, then no modifications are necessary so complete the assembly of your saw and rails then skip directly to **page 8**. If the left ends of the front and rear rails do extend past the left edge of the extension wing, then you will need to shorten your rails so continue to step 1 below.

1. Mark the front rail, rear rail and main tube ¼” to the right of the left edge of the left extension wing.
2. Use a 13mm wrench to remove the bolts from the underside of the main tube. Set it aside.
3. Use a 13mm wrench and 5mm Allen wrench to remove the front and rear rails.
4. Use a metal cutting band saw to cut off the front rail, rear rail, and main tube at the marks made in Step 1 above.

**Using other types of saws (such as a circular saw) can generate enough heat to blister the powder coating. It is strongly suggested that you use a metal cutting band saw only.**

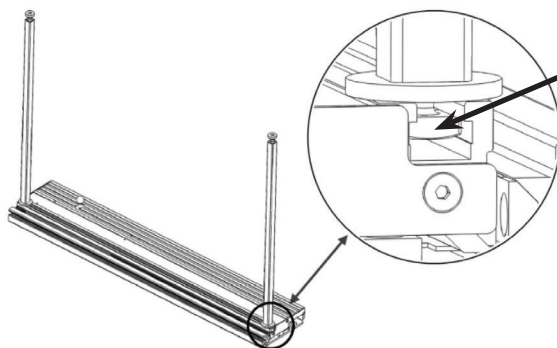
5. Remove any burrs or sharp edges with a file.
6. Remove the plastic end cap from the cut off portion of the main tube and install it on the new left end of the main tube.
7. If necessary, complete the assembly of your saw then re-install the front and rear rails and the main tube (refer to your saw and fence manuals).
8. Continue to page 8

**Mounting the sliding crosscut table to your saw:** Before continuing, make sure the sliding table top is locked to the sliding table assembly. If the sliding table top is not locked, pull out the sliding table lock knob on the bottom of the table assembly and rotate it 90 degrees, then release. Slowly slide the table top toward the Home Position. The Home Position is where the front of the sliding table top is generally flush with the table bottom. The lock knob should engage the table top and lock it against further movement. This will help prevent injury due to the sliding table top moving unexpectedly.

1. Turn the sliding table assembly upside down, slide the support leg T-bolts (109) into the sliding table T-slot (see Fig. 1), then hand-tighten the legs clockwise to secure them in place.

**Fig. 1**

**!** For the best support, position the legs near the edges of the sliding table, as shown in Fig. 1.



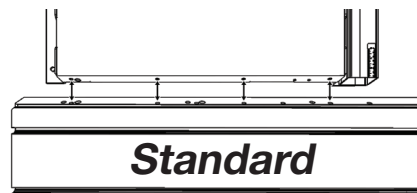
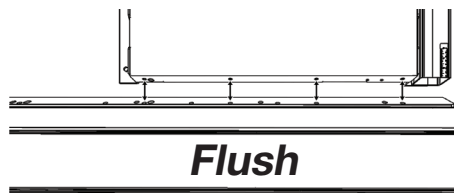
**!** See the exploded views on pages 22-23 for part number labels.

WITH EXTENSION WING

2. For **PCS** **CNS** saws ONLY: if necessary, mount the switch box assembly as described in the installation documentation for your saw, then continue to step 3.
3. For **ICS** saws ONLY: remove the hardware from the ICS Wing Mounting Hardware pack (the hardware from the ICS Table Mounting Hardware pack is not needed for this mounting configuration). For **PCS** **CNS** saws ONLY: remove the cap screws, the flat washers and the lock nuts from the PCS/CNS Table or Wing Mounting Hardware pack (the lock washers are not needed for this mounting configuration).
4. With the help of at least one other person to support the weight, turn the sliding table assembly over and position it against the side of the extension wing.
5. Adjust the height of the sliding table to approximately match the wing by turning the foot pads on the bottom of the leg assemblies.
6. Visually align the mounting holes in the side of the sliding table assembly with the holes in the side of the wing and then mark the set of holes to be used. See Fig. 2 for **PCS** **CNS** saws, or Fig. 3 for **ICS** saws.

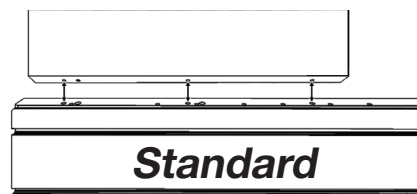
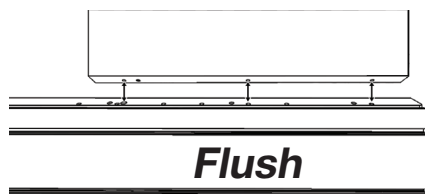
**Fig. 2**

**!** PCS and CNS saws have 4 mounting holes.



**Fig. 3**

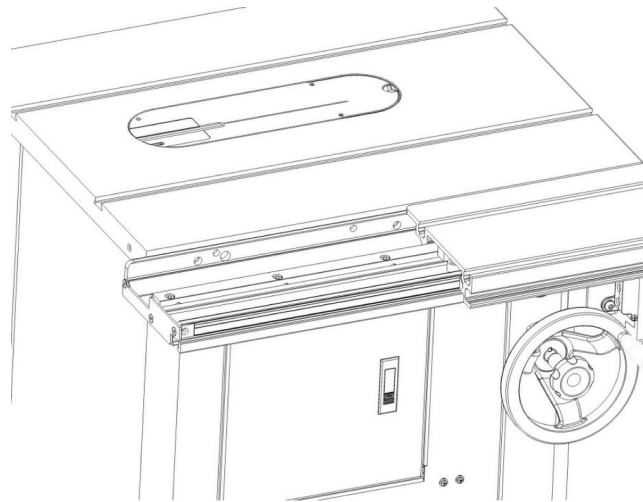
**!** ICS saws have 3 mounting holes.



- Pull out the sliding table lock knob on the underside of the sliding table assembly and rotate it 90 degrees to unlock the sliding table. Then slide the table top toward the front of the saw to expose two of the mounting holes, as shown in **Fig. 4**.

**Fig. 4**

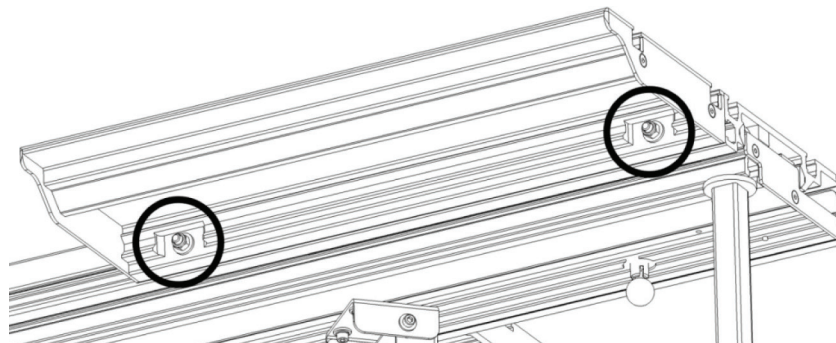
**!** ICS Model Shown without the extension wing.



- For **ICS** saws ONLY: with the mounting holes aligned, insert an M10x35 cap screw through a D-style washer, then through one of the two exposed rear holes in the sliding table and extension wing, and then through a second D-style washer and a lock nut. (See the exploded view on page 22-23 for illustration). Repeat this process for the other exposed rear hole in the sliding table and extension wing. Only finger tighten the lock nuts at this time. Make sure to position the flat edge of the D-style washers facing downward. Skip to step 10.
- For **PCS** **GNS** saws ONLY: with the mounting holes aligned, insert an M8x35 cap screw through a flat washer, then through one of the two exposed rear holes in the sliding table and extension wing, and then through a second flat washer and a lock nut. (See the exploded view on page 22-23 for illustration). Repeat this process for the other exposed rear hole in the sliding table and extension wing. Only finger tighten the lock nuts at this time. Continue to step 10.
- Slide the table top toward the back of the saw to expose the final mounting hole(s) and install the remaining cap screw(s), washer(s), and lock nut(s). Only finger tighten the lock nuts at this time.
- Slide the table top as necessary until only one cap screw is exposed at the front of the saw. Lay a straight edge across the sliding table top so that it extends over the top of the table saw as close to the exposed cap screw as possible. Make sure the sliding table top is parallel to the top of the wing and saw table and then adjust the foot pad on the bottom of the front leg until the sliding table top is between 0.010" and 0.020" higher than the table saw top. Tighten the exposed lock nut. Slide the table toward the front of the saw to expose one cap screw at the back of the saw and repeat the process at this location. Recheck both ends of the table (front and back) to make sure they are still correct. Then tighten the remaining lock nuts.
- Pull out the sliding table lock knob on the underside of the sliding table assembly, rotate it 90 degrees then release. Slide the table top toward the Home Position until it locks in place.

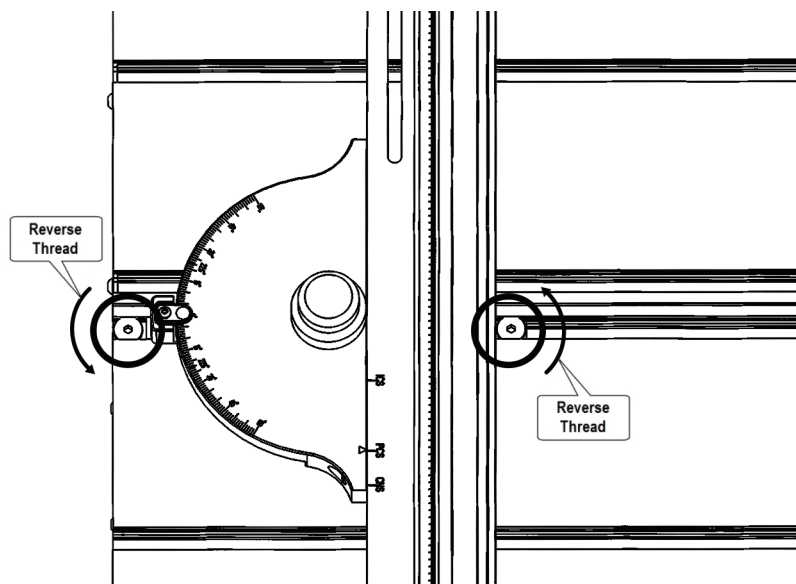
- Place the two M8 T-bolts (109) from the Auxiliary Hardware Pack through the holes in the side of the extension table assembly. Loosely install the flat washers (108) and lock nuts (110) on the T-bolts. Slide the heads of the T-bolts (109) into the T-slot on the outside edge of the sliding table, and then tighten the nuts (110) to secure the extension table in place. For most operations, position the extension table so that it is flush with the front edge of the sliding table top, as shown in **Fig.5**.

**Fig. 5**



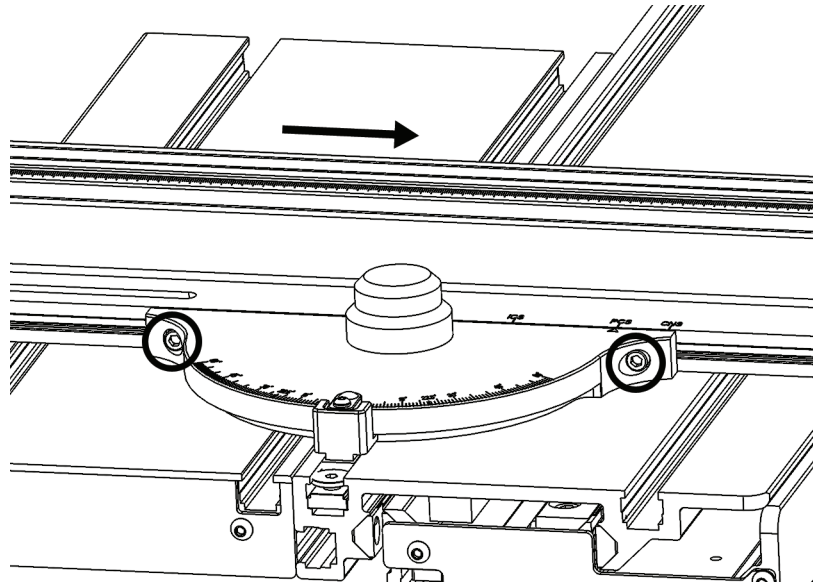
- Slide the miter gauge bar (249) into the T-slot on the sliding table top farthest from the blade, as shown in **Fig.6**. For full cutting capacity, the miter gauge bar should be positioned flush with the front edge of the sliding table. Use a 5mm wrench to turn the **reverse-thread** fasteners (248) at the front and rear of the miter gauge bar COUNTERCLOCKWISE to lock the miter gauge bar in place.

**Fig. 6**



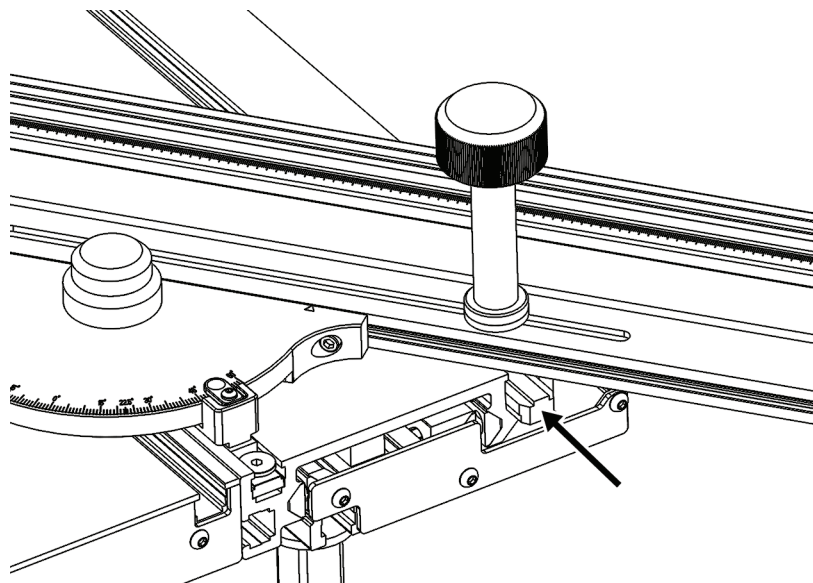
15. Use a 5mm allen wrench to slightly loosen the crosscut fence from the miter gauge as shown in **Fig. 7**. **Do not loosen the screws more than 1 ½ full turn.** With the blade guard installed, raise the saw blade to the highest elevation and tilt it to 45 degrees. Pivot the crosscut fence until it is parallel to the front edge of the saw. Slide the crosscut fence to the right until the right side of the crosscut fence is about 2 inches from the left side of the blade guard. If you want to position the crosscut fence closer to the blade, be careful not to run the crosscut fence into the blade guard or anti-kickback pawls during operation. Retighten the screws.

**Fig. 7**



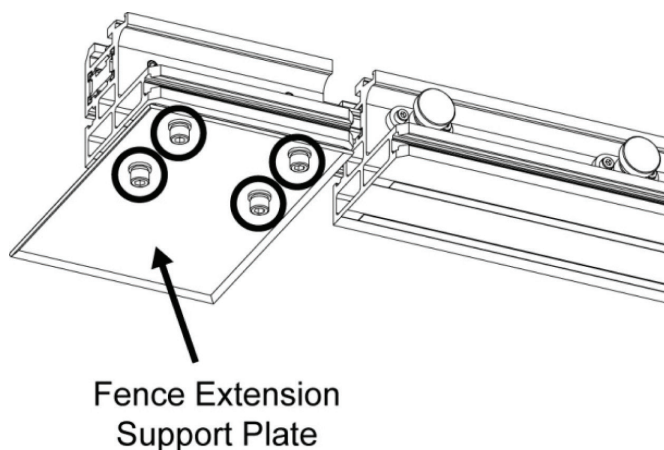
16. Pivot the crosscut fence clockwise until the right end of the long slot on the crosscut fence is off the saw table. Remove the T-bolt (229) from the Crosscut Fence Lock Knob and insert the threaded shaft of the T-bolt up through the slot. Pivot the fence counterclockwise and slide the T-bolt into the T-slot in the right side of the sliding table top as shown in **Fig. 8**. Place the plastic washer (228) on the T-bolt threaded shaft and then screw on the crosscut fence lock knob. Do not tighten the lock knob at this time.

**Fig. 8**



17. Use a square to position the fence exactly 90 degrees relative to the saw blade then tighten the crosscut fence lock knob.
18. Check the miter gauge angle indicator. If the reading is not 0 degrees, loosen the indicator lens mounting screw (245) and adjust the position of the indicator to read 0 degrees. Retighten the mounting screw.
19. Mount the Fence Extension Support Plate (202) to the bottom of the Fence Extension using four M6 Cap Screws (203), M6 Lock Washers (115) and M6 Flat Washers (116) from the Fence Extension Support Plate Mounting Screw Hardware Pack as shown in **Fig. 9**.

**Fig. 9**








20. Slide the two flip stops (264) into the T-slot on top of the crosscut fence and then tighten their lock knobs to hold them in place.
21. Using a tape measure, adjust the right flip stop to 12" from the blade. Adjust the fence ruler (225) so that it indicates 12" in the flip stop indicator lens. This adjustment ensures exact measurements when cutting using the flip stop *with the miter gauge set to the 0 degree mark*. When the miter gauge is adjusted to an angle other than 0 degrees, the fence ruler will need to be readjusted before using the flip stop indicator lens.
22. To properly position the ruler on the crosscut fence extension, slide the left flip stop to the left-most position on the crosscut extension section. Next, slide the extension ruler left until it stops. Using a tape measure, extend the crosscut fence extension out until the distance between the blade and the left flip stop is 50". Check the indicator reading on the extension fence. If the indicator does not read 50", adjust the position of the flip stop until the indicator reads 50", then lock the flip stop in place by tightening the lock knob. This adjustment ensures exact measurements when cutting using the flip stop on the crosscut fence extension *with the miter gauge set to the 0 degree mark*. When the miter gauge is adjusted to an angle other than 0 degrees, the extension ruler will need to be readjusted before using the flip stop indicator lens.

**!** The rulers on the fence and the fence extension are double-sided. Flip them over for metric measurements.



**CONGRATULATIONS!** Your Sliding Table Attachment is now installed. Skip to page 21 for Operating Instructions.

## Modifying your table saw to install the Sliding Crosscut Table Without the Left

**Extension Wing:** You will need to shorten your rails to mount the sliding table attachment without the left extension wing so proceed to step 1 below.

1. Find the seam between the table and the left extension wing (or the left edge of the table if the wing is not installed). Mark the front rail, rear rail and main tube ¼" to the right of the seam (or edge).
2. Use a 13mm wrench to remove the bolts from the underside of the main tube. Set it aside.
3. Use a 13mm wrench and 5mm Allen wrench to remove the front and rear rails.
4. If the wing is already installed, use either a 17mm wrench (for  saws) or 13mm wrench (for   saws) to remove the left extension wing from the table saw.
5. For   saws only: if you have not yet mounted the switch box assembly to your saw, skip to step 6 below. If your switch box assembly has already been mounted to your saw, use an Allen wrench to remove the two bolts that mount the switch box bracket to the main table. Allow the switch box assembly to dangle in place.
6. Use a metal cutting band saw to cut off the front rail, rear rail, and main tube at the marks made in Step 1 above.
7. Remove any burrs or sharp edges with a file.

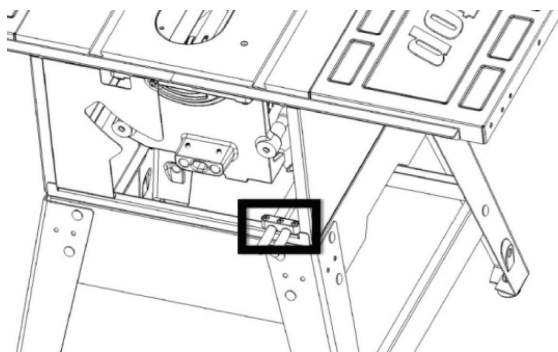
**Using other types of saws (such as circular saw) can generate enough heat to blister the powder coating. It is strongly suggested that you use a metal cutting band saw only.**

8. Remove the plastic end cap from the cut off portion of the main tube and install it on the new left end of the main tube.
9. If necessary, complete the assembly of your saw (without the left extension wing) but do not mount the switch box if your saw is a  or . Next, re-install the front and rear rails and the main tube (refer to your fence manual).

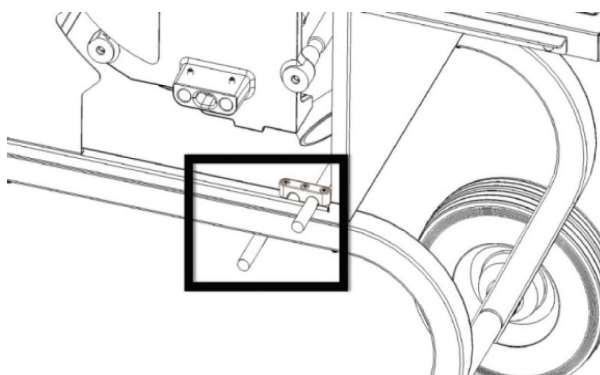
**For ICS and PCS saws, no further modifications are needed, so proceed directly to page 15. For CNS saws without the left extension wing, continue to step 10 on the next page.**

10. On **CNS** saws without the left extension wing it is necessary to increase the slack in the motor power cord in order to move the switch box to the new mounting position. The first step is to remove the motor power cord from the strain relief on the rear of the saw (**Fig.1**). Remove the three screws that mount the strain relief to the rear of the saw frame. Remove the cord connected to the motor and replace the strain relief. Make sure the AC power cord remains captured by the strain relief.
11. If your **CNS** saw is mounted on a Mobile Cart as shown in **Fig. 2**, simply route the motor power cord underneath the upper frame of the Mobile Cart, then reconnect it with the motor power cord.
12. If your **CNS** saw is mounted on the **CNS** stand, it is necessary to create a 2" diameter hole in the rear panel of the stand. The center point of the hole should be located as shown in **Fig. 3**. SawStop recommends using a 2" hole saw to form the hole in the rear panel. Finally, snap the supplied 2" grommet into the hole and feed the cord from the motor through the grommet then reconnect it with the motor power cord.

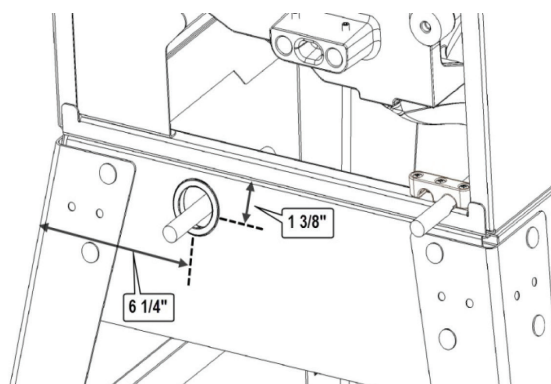
**Fig. 1**



**Fig. 2**



**Fig. 3**

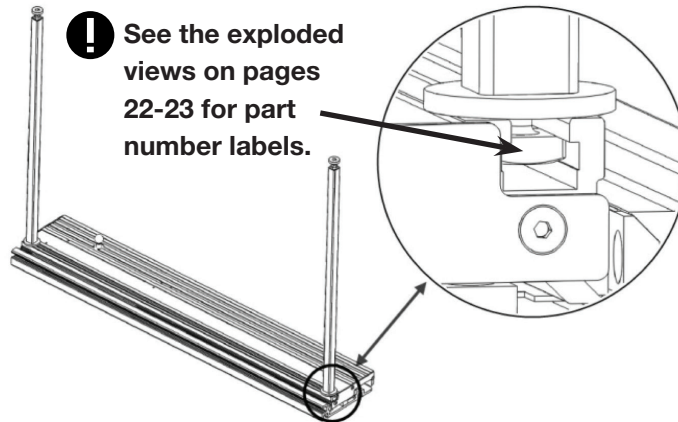


**Mounting the sliding crosscut table to your saw:** Before continuing, make sure the sliding table top is locked to the sliding table assembly. If the sliding table top is not locked, pull out the sliding table lock knob on the bottom of the table assembly and rotate it 90 degrees, then release. Slowly slide the table top toward the Home Position. The Home Position is where the front of the sliding table top is generally flush with the table bottom. The lock knob should engage the table top and lock it against further movement. This will help prevent injury due to the sliding table top moving unexpectedly.

1. Turn the sliding table assembly upside down, slide the support leg T-bolts (109) into the sliding table T-slot (see **Fig. 4**), then hand-tighten the legs clockwise to secure them in place.

**Fig. 4**

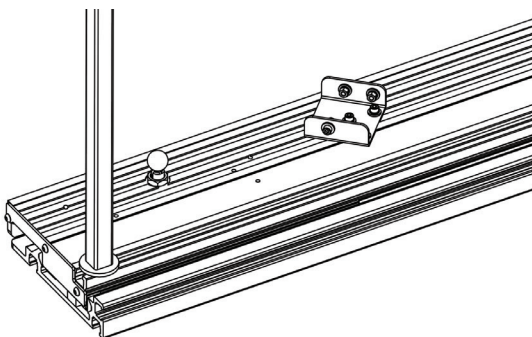
**!** For the best support, position the legs near the edges of the sliding table, as shown in **Fig. 4**.



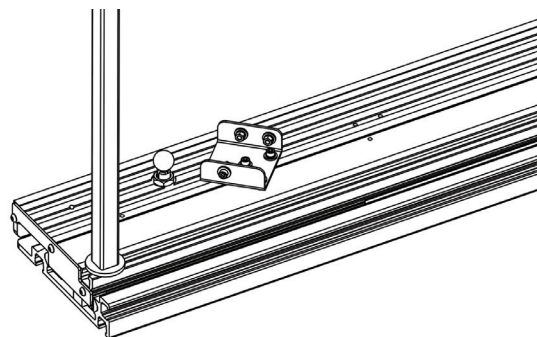
2. For **ICS** saws, skip to step 3. For **PCS** **CNS** saws, attach the switch box mounting bracket (113) to the underside of the sliding table assembly using three M6x1.0x16 cap screws, three M6 washers and three M6 lock washers from the Auxiliary Hardware Pack, as shown in **Fig. 5**. If you are mounting the Sliding Crosscut Table in the standard configuration, align the holes in the bracket to the rear holes on the underside of the table (**Fig. 5-A**). If you are mounting the Sliding Crosscut Table in the Flush Configuration, align the holes in the bracket to the front holes on the underside of the table (**Fig. 5-B**).

**Fig. 5**

**A** Standard Mounting Configuration



**B** Flush Mounting Configuration

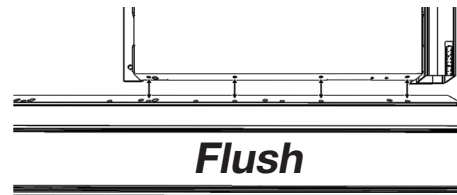


# INSTALLING **WITHOUT** THE EXTENSION WING

- For **ICS** saws ONLY: remove all the hardware from the ICS Table Mounting Hardware pack (the hardware from the ICS Wing Mounting Hardware pack is not needed for this mounting configuration).  
For **PCS** **CNS** saws ONLY: remove the cap screws, the lock washers and four of the flat washers from the PCS/CNS Table or Wing Mounting Hardware pack (the remaining hardware is not needed for this mounting configuration).
- With the help of at least one other person to support the weight, turn the sliding table assembly over and position it against the side of the saw table.
- Adjust the height of the sliding table to approximately match the saw table by turning the foot pads on the bottoms of the leg assemblies.
- Visually align the mounting holes in the side of the sliding table assembly with the holes in the side of the saw table and then mark the set of holes to be used. See **Fig. 6** for **PCS** **CNS** saws, or **Fig. 7** for **ICS** saws.

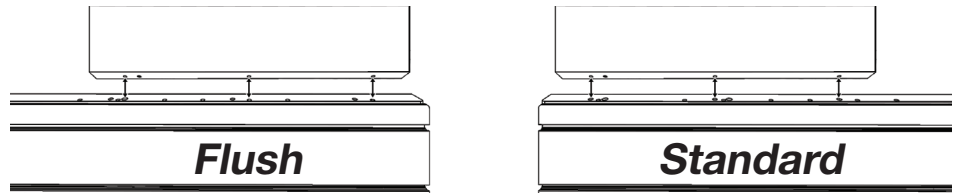
**Fig. 6**

**!** PCS and CNS saws have 4 mounting holes.



**Fig. 7**

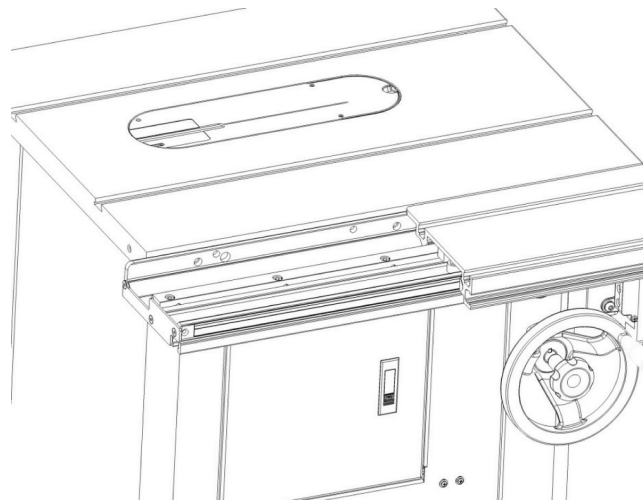
**!** ICS saws have 3 mounting holes.



- Pull out the sliding table lock knob on the underside of the sliding table assembly and rotate it 90 degrees to unlock the sliding table. Then slide the table top toward the front of the saw to expose two of the mounting holes, as shown in **Fig. 8**.

**Fig. 8**

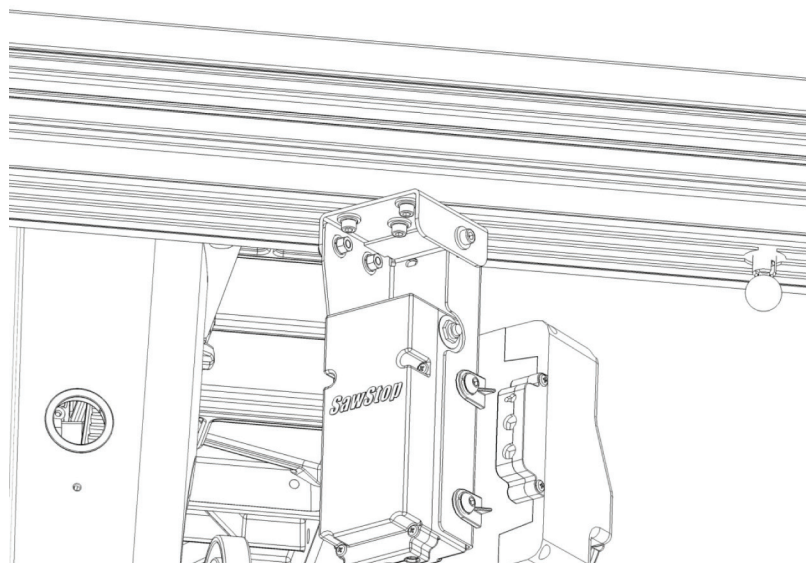
**!** ICS Model Shown without the extension wing.



8. For **ICS** saws ONLY: With the mounting holes aligned, thread two M10x1.5x25 cap screws (121) with two 10mm lock washers (122) and two 10mm D-shaped flat washers (123) from the ICS Table Mounting Hardware Pack through the sliding table into the exposed mounting holes in the saw table (see the exploded view on pages 22-23 for illustration). Only finger tighten the cap screws at this time. Position the flat edge on the D-shaped flat washers facing downward. Skip to step 10.
9. For **PCS** **CNS** saws ONLY: With the mounting holes aligned, thread two M8x1.25x35 cap screws (106) with two 8mm lock washers (107) and two 8mm flat washers (108) from the PCS/CNS Table or Wing Mounting Hardware Pack through the sliding table into the exposed mounting holes of the saw table (see the exploded view on pages 22-23 for illustration). Only finger tighten the cap screws at this time.
10. Slide the table top toward the back of the saw to expose the final mounting hole(s) and install the remaining cap screw(s), lock washer(s), and flat washer(s). Only finger tighten the cap screws at this time.
11. Slide the table top as necessary until only one cap screw is exposed at the front of the saw. Lay a straight edge across the sliding table top so that it extends over the top of the table saw as close to the exposed cap screw as possible. Make sure the sliding table top is parallel to the top of the saw table and then adjust the foot pad on the bottom of the front leg until the sliding table top is between 0.010" and 0.020" higher than the table saw top. Tighten the exposed cap screw. Slide the table toward the front of the saw to expose one cap screw at the back of the saw and repeat the process at this location. Recheck both ends of the table (front and back) to make sure they are still correct. Then tighten the remaining fasteners.
12. Pull out the sliding table lock knob on the underside of the sliding table assembly, rotate it 90 degrees then release. Slide the table top toward the Home Position until it locks in place.
13. For **PCS** **CNS** saws ONLY: Attach the switch box assembly to the mounting bracket on the underside of the sliding table using three M6x1.0x16 cap screws, six M6 washers, three M6 lock washers and three M6 nuts from the Auxiliary Hardware Pack, as shown in **Fig. 9**.

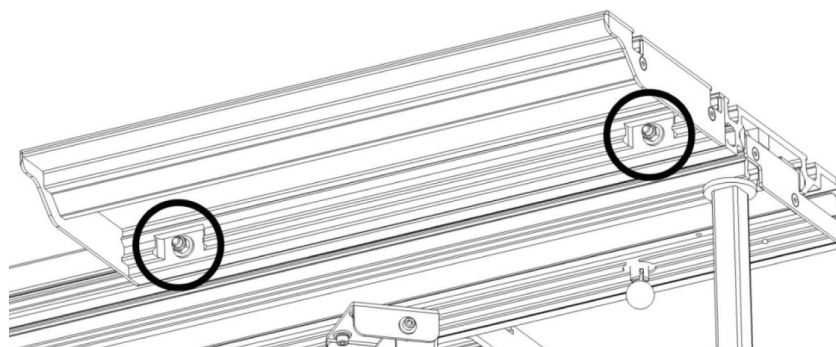
**Fig. 9**

**!** PCS Model  
Shown without  
the extension  
wing



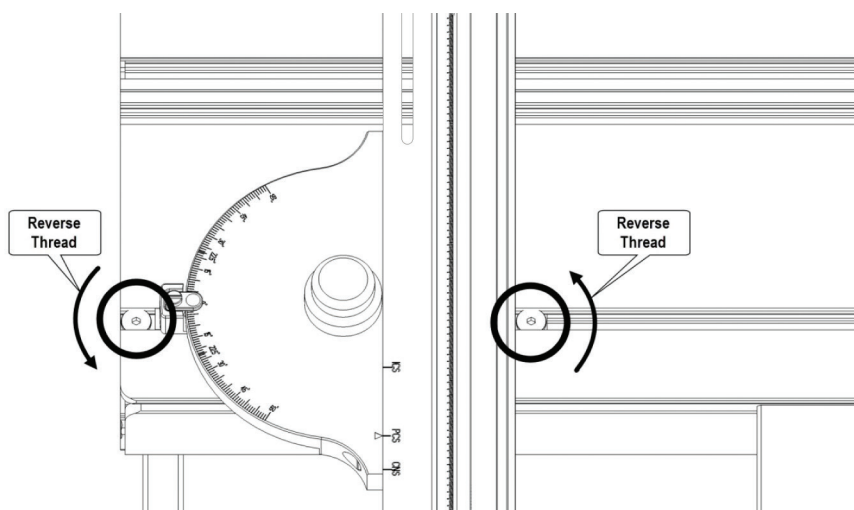
- Place the two M8 T-bolts (109) from the Auxiliary Hardware Pack through the holes in the side of the extension table assembly. Loosely install the flat washers (108) and lock nuts (110) on the T-bolts. Slide the heads of the T-bolts (109) into the T-slot on the outside edge of the sliding table, and then tighten the nuts (110) to secure the extension table in place. For most operations, position the extension table so that it is flush with the front edge of the sliding table top, as shown in **Fig. 10**.

**Fig. 10**



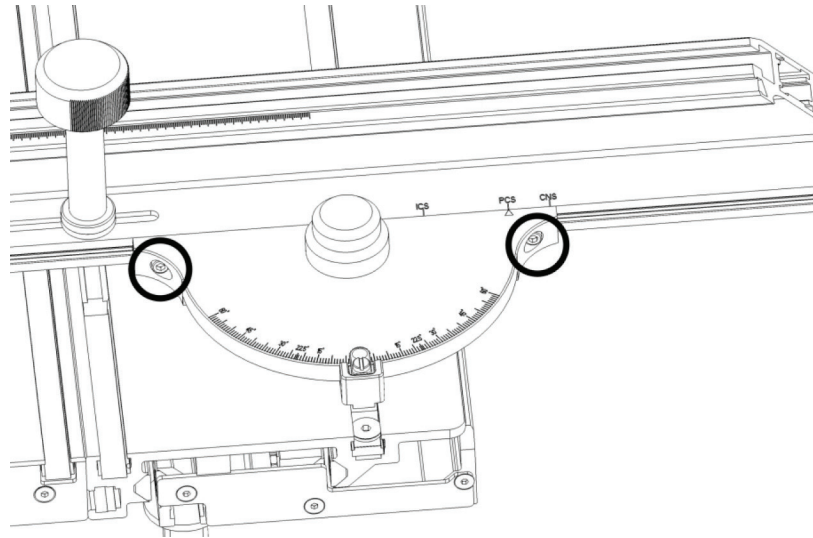
- Slide the miter gauge bar (249) into the T-slot on the sliding table top nearest the blade, as shown in **Fig. 11**. For full cutting capacity, the miter gauge bar should be positioned flush with the front edge of the sliding table. Use a 5mm wrench to turn the **reverse-thread** fasteners (248) at the front and rear of the miter gauge bar COUNTERCLOCKWISE to lock the miter gauge bar in place.

**Fig. 11**



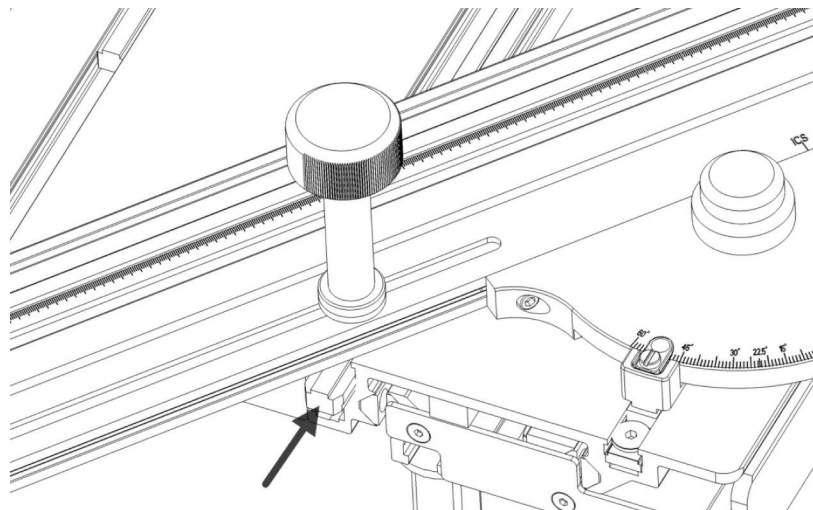
16. Use a 5mm allen wrench to slightly loosen the crosscut fence from the miter gauge as shown in **Fig. 12**. **Do not loosen the screws more than 1 ½ full turn.** With the blade guard installed, raise the saw blade to the highest elevation and tilt it to 45 degrees. Pivot the crosscut fence until it is parallel to the front edge of the saw table. Slide the crosscut fence to the right until the right side of the crosscut fence is about 2 inches from the left side of the blade guard. If you want to position the crosscut fence closer to the blade, be careful not to run the crosscut fence into the blade guard or anti-kickback pawls during operation. Retighten the screws.

**Fig. 12**



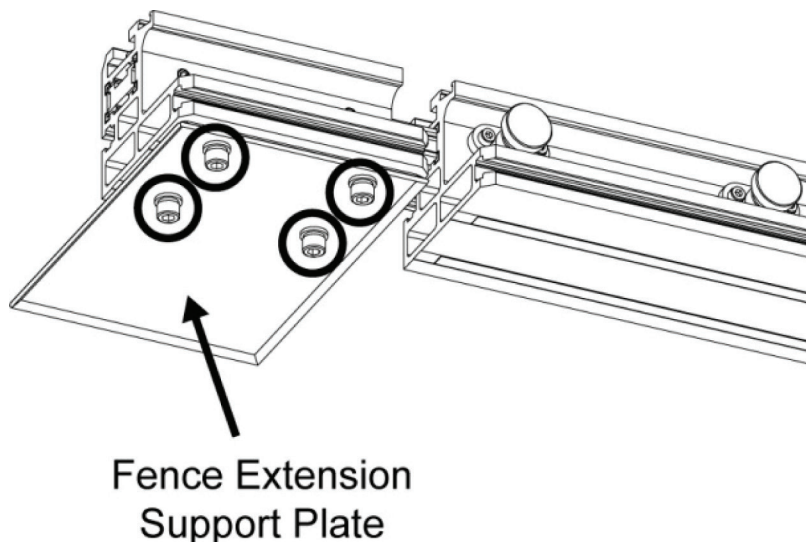
17. Pivot the crosscut fence counter-clockwise until the left end of the long slot on the crosscut fence is off the saw table. Remove the T-bolt (229) from the Crosscut Fence Lock Knob and insert the threaded shaft of the T-bolt up through the slot on the fence as shown in **Fig. 13**. Pivot the fence clockwise and slide the T-bolt into the T-slot in the left side of the sliding table top. Place the plastic washer (228) on the T-bolt threaded shaft and then screw on the crosscut fence lock knob. Do not tighten the lock knob at this time.

**Fig. 13**



18. Use a square to position the fence exactly 90 degrees relative to the saw blade then tighten the crosscut fence lock knob.
19. Check the miter gauge angle indicator. If the reading is not 0 degrees, loosen the indicator lens mounting screw (245) and adjust the position of the indicator to read 0 degrees. Retighten the mounting screw.
20. Mount the Fence Extension Support Plate (202) to the bottom of the Fence Extension using four M6 Cap Screws (203), M6 Lock Washers (115) and M6 Flat Washers (116) from the Fence Extension Support Plate Mounting Screw Hardware Pack as shown in **Fig. 14**

**Fig. 14**



21. Slide the two flip stops (264) into the T-slot on top of the crosscut fence and then tighten their lock knobs to hold them in place.
22. Using a tape measure, adjust the right flip stop to 12" from the blade. Adjust the fence ruler (225) so that it indicates 12" in the flip stop indicator lens. This adjustment ensures exact measurements when cutting using the flip stop *with the miter gauge set to the 0 degree mark*. When the miter gauge is adjusted to an angle other than 0 degrees, the fence ruler will need to be readjusted before using the flip stop indicator lens.
23. To properly position the ruler on the crosscut fence extension, slide the left flip stop to the left-most position on the crosscut extension section. Next, slide the extension ruler left until it stops. Using a tape measure, extend the crosscut fence extension out until the distance between the blade and the left flip stop is 50". Check the indicator reading on the extension fence. If the indicator does not read 50", adjust the position of the flip stop until the indicator reads 50", then lock the flip stop in place by tightening the lock knob. This adjustment ensures exact measurements when cutting using the flip stop on the crosscut fence extension *with the miter gauge set to the 0 degree mark*. When the miter gauge is adjusted to an angle other than 0 degrees, the extension ruler will need to be readjusted before using the flip stop indicator lens.

**!** The rulers on the fence and the fence extension are double-sided. Flip them over for metric measurements.

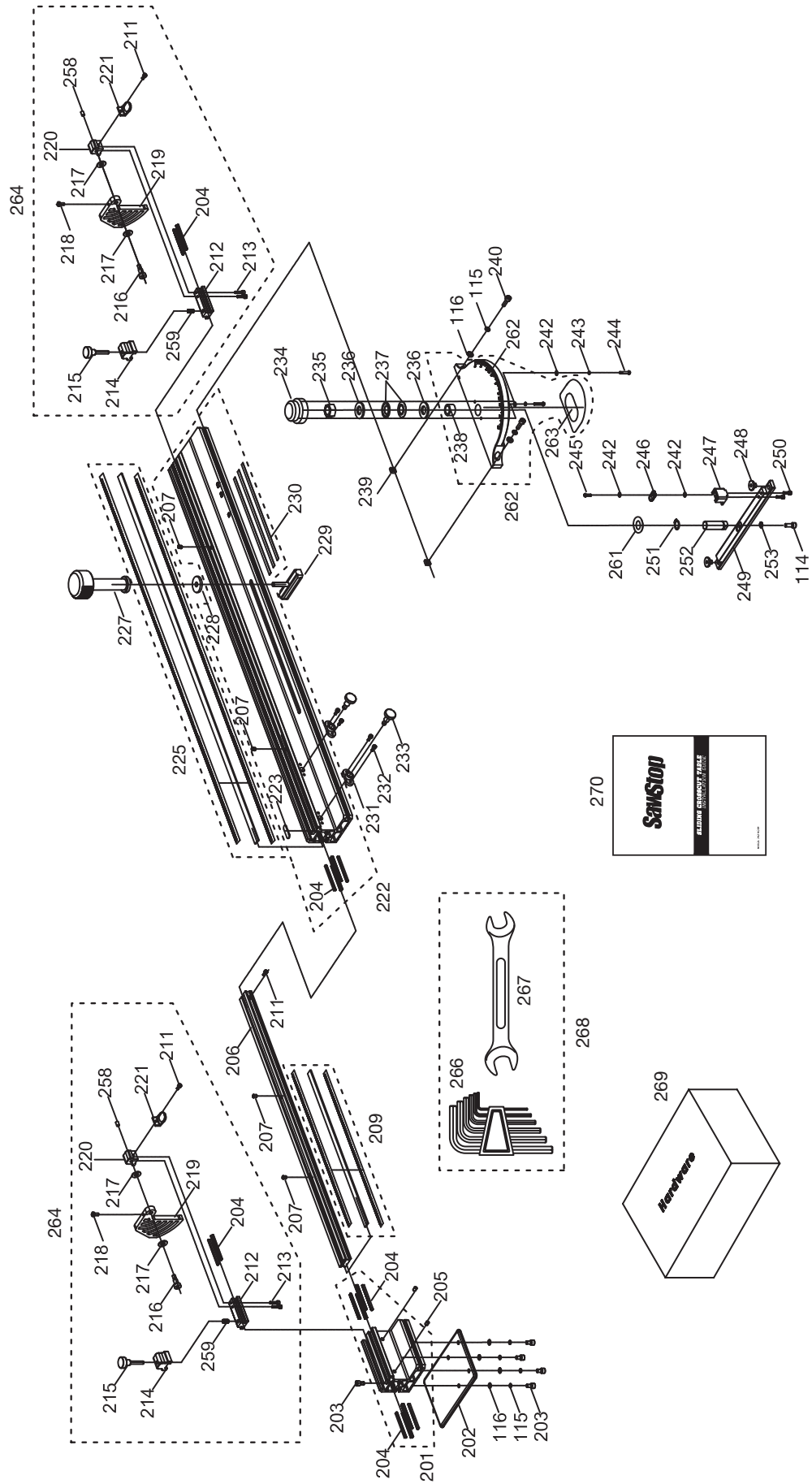
**CONGRATULATIONS!** Your Sliding Table Attachment is now installed. Continue to page 21 for Operating Instructions.

1. To adjust the crosscut miter angle, loosen the crosscut fence lock knob to allow the crosscut fence to pivot. Using the miter gauge angle indicator, set the fence to the desired miter angle and retighten the lock knob to secure the fence in place.

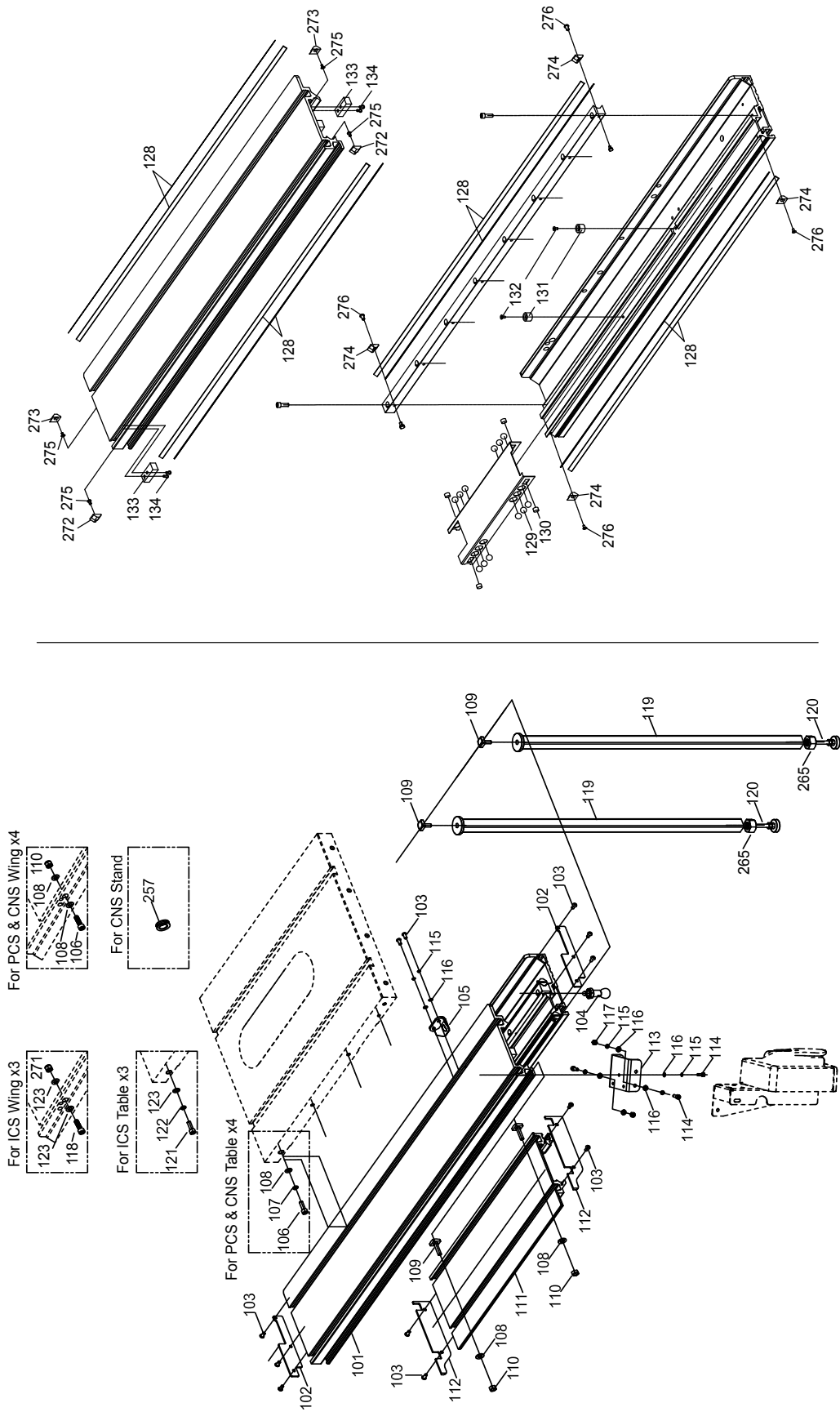
**!** If using the rulers on the fence or fence extension to position the flip stops, you should reposition the rulers after changing the miter angle.

2. To make repetitive cuts, loosen the appropriate flip stop lock knob and slide the flip stop into the desired position. Retighten the lock knob to lock the flip stop in place.
3. Unlock the sliding table by pulling out the sliding table lock knob on the underside of the sliding table and rotating it 90 degrees.
4. To prevent the sliding table from moving, pull out the sliding table saw lock knob and rotate it 90 degrees. Next, slowly slide the table toward the Home Position until the lock pin engages and the table locks in place. When the sliding table is not in use, lock it in place so that it will not move unexpectedly.
5. For longer work pieces (up to 60"), make sure the fence is positioned over the extension table. Next, loosen the crosscut fence extension lock knobs (233) and slide the fence extension to the left as needed to accommodate the longer work piece. Retighten the fence extension lock knobs.

# SLIDING TABLE ATTACHMENT EXPLODED VIEW



# SLIDING TABLE ATTACHMENT EXPLODED VIEW



# SLIDING TABLE ATTACHMENT PARTS LIST:

No.	Description	Part No.
	Sliding Table Assembly	TSA-SA48
101	Sliding Table	TSA-SA48-101
102	Sliding Table End Cover	TSA-SA48-102
103	M6x1.0x12 Pan Head Socket Screw	TSA-SA48-103
104	Sliding Table Lock Knob	TSA-SA48-104
105	Sliding Table Limit Block	TSA-SA48-105
106	M8x1.25x35 Socket Head Cap Screw	TSA-SA48-106
107	M8 Lock Washer	TSA-SA48-107
108	M8x16x1.8 Washer	TSA-SA48-108
109	M8x1.25x35 T-Bolt	TSA-SA48-109
110	M8x1.25 Lock Nut	TSA-SA48-110
111	Sliding Table Extension Table	TSA-SA48-111
112	Extension Table End Cover	TSA-SA48-112
113	Switch Box Mounting Bracket	TSA-SA48-113
114	M6x1.0x16 Socket Head Cap Screw	TSA-SA48-114
115	M6 Lock Washer	TSA-SA48-115
116	M6x12x1.5 Washer	TSA-SA48-116
117	M6x1.0 Nut	TSA-SA48-117
118	M10x1.5x35 Socket Head Cap Screw	TSA-SA48-118
119	Support Leg	TSA-SA48-119
120	Foot	TSA-SA48-120
121	M10x1.5x25 Socket Head Cap Screw	TSA-SA48-121
122	M10 Lock Washer	TSA-SA48-122
123	M10x20x3 D-Style Washer	TSA-SA48-123
128	Bearing Rails	TSA-SA48-128
129	Ball Bearing	TSA-SA48-129
130	Felt Swipe	TSA-SA48-130
131	Sliding Table Bump Stop	TSA-SA48-131
132	M6x1.0x18 Flat Head Socket Screw	TSA-SA48-132
133	Limit Block Bump Stop	TSA-SA48-133
134	M6x1.0x16 Flat Head Socket Screw	TSA-SA48-134
201	Crosscut Fence Extension Sub Assembly	TSA-SA48-201
202	Crosscut Fence Extension Support Plate	TSA-SA48-202
203	M6x1.0x10 Socket Head Cap Screw	TSA-SA48-203
204	Crosscut Fence Extension Glides	TSA-SA48-204
205	M6x1.0x10 Set Screw	TSA-SA48-205
206	Crosscut Fence Extension Bar	TSA-SA48-206
207	M6 Spring Bearings	TSA-SA48-207
209	Crosscut Fence Extension Ruler Assembly	TSA-SA48-209
211	M4x0.7x8 Socket Head Cap Screw	TSA-SA48-211
212	Flip Stop Bar	TSA-SA48-212
213	M4x0.7x16 Socket Head Cap Screw	TSA-SA48-213
214	Flip Stop Lock Block	TSA-SA48-214
215	M6 Flip Stop Lock Knob	TSA-SA48-215
216	M8x1.25x12 Socket Head Shoulder Screw	TSA-SA48-216
217	M8x16x1.5 Nylon Washer	TSA-SA48-217
218	M4x0.7x10 Nylon Screw	TSA-SA48-218
219	Crosscut Fence Flip Stop	TSA-SA48-219
220	Stop Plate Mounting Block	TSA-SA48-220
221	Flip Stop Position Indicator Lens	TSA-SA48-221

No.	Description	Part No.
222	Crosscut Fence Sub Assembly	TSA-SA48-222
223	Crosscut Fence Extension Indicator Lens	TSA-SA48-223
225	Crosscut Fence Ruler Assembly	TSA-SA48-225
227	Crosscut Fence Lock Knob	TSA-SA48-227
228	M8x28x3 Nylon Washer	TSA-SA48-228
229	Crosscut Fence Lock Bar	TSA-SA48-229
230	Crosscut Fence Glide Pad	TSA-SA48-230
231	Crosscut Fence Extension Knob Mounting Block	TSA-SA48-231
232	M4x0.7x10 Socket Head Cap Screw	TSA-SA48-232
233	Crosscut Fence Extension Lock Knob	TSA-SA48-233
234	Crosscut Fence Miter Gauge Cover	TSA-SA48-234
235	M16x2.0 Lock Nut	TSA-SA48-235
236	M16x32x3 Washer	TSA-SA48-236
237	M16x31x0.7 Spring Washer	TSA-SA48-237
238	Crosscut Fence Pivot Bushing	TSA-SA48-238
239	M6x1.0 Square Nut	TSA-SA48-239
240	M6x1.0x20 Socket Head Cap Screw	TSA-SA48-240
242	M4x9x0.8 Washer	TSA-SA48-242
243	M4 Lock Washer	TSA-SA48-243
244	M4x0.7x20 Socket Head Cap Screw	TSA-SA48-244
245	M4x0.7x12 Button Head Socket Screw	TSA-SA48-245
246	Miter Gauge Angle Indicator Lens	TSA-SA48-246
247	Miter Gauge Lens Mounting Block	TSA-SA48-247
248	M8x1.25x8 Flat Head Screw	TSA-SA48-248
249	Miter Gauge Bar	TSA-SA48-249
250	M4x0.7x14 Socket Head Cap Screw	TSA-SA48-250
251	16mm External Retaining Ring	TSA-SA48-251
252	Miter Gauge Pivot Shaft	TSA-SA48-252
253	M6 Lock Washer	TSA-SA48-253
257	2" Grommet For CNS Saws	TSA-SA48-257
258	M6x1.0x6 Set Screw	TSA-SA48-258
259	Flip Stop Lock Block Spring	TSA-SA48-259
261	M16 Miter Gauge Oval Washer	TSA-SA48-261
262	Miter Gauge Glide Pad Bushing Sub Assembly	TSA-SA48-262
263	Miter Gauge Glide Pad	TSA-SA48-263
264	Flip Stop Assembly	TSA-SA48-264
265	M8x1.25 Hex Nut	TSA-SA48-265
266	Allen Wrench Kit	TSA-SA48-266
267	Open End Wrench	TSA-SA48-267
268	Open End Wrench and Allen Wrench Kit	TSA-SA48-268
269	Complete Hardware Pack	TSA-SA48-269
270	Sliding Crosscut Table Installation Guide	TSA-SA48-270
271	M10x1.5 Lock Nut	TSA-SA48-271
272	Bearing Rail Retainer (Left)	TSA-SA48-272
273	Bearing Rail Retainer (Right)	TSA-SA48-273
274	Bearing Rail Retainer (Center)	TSA-SA48-274
275	M5x0.8x10 Button Head Socket Screw	TSA-SA48-275
276	M5x0.8x12 Flat Head Socket Screw	TSA-SA48-276









The logo for SawStop, featuring the brand name in a bold, italicized, sans-serif font. The text is white and is enclosed within a white, irregular, jagged border that mimics the shape of a saw blade's teeth. The background of the entire image is a solid red color with a faint, white line-art illustration of a table saw's internal components, including the motor, blade, and various adjustment mechanisms, overlaid on the red background.

**SawStop**