

VALVES

Product Catalog

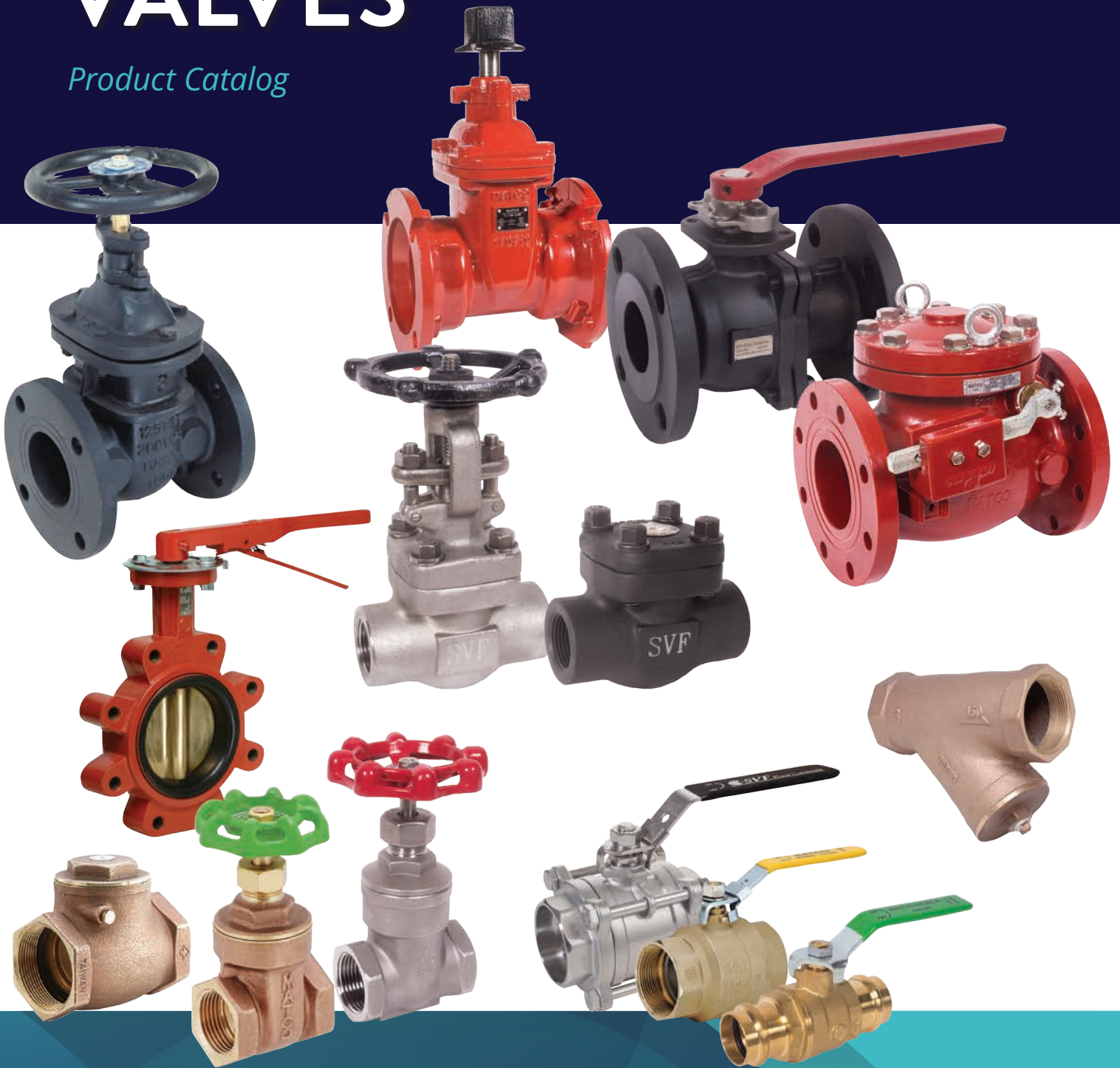


Table of Contents

A	Butterfly Valve Part Breakdown.....60	UL/FM44-45, 50	Cast Iron.....48	Stainless Steel Ball Valves
Air Valve 29			Cast Steel.....42	Flanged 6, 38
Angle Control Valve 8		E	Forged40	One Piece.....6
Angle Valve 21, 28-33		Escutcheons & Keys10	Hard Seat.....8	Threaded36
Aztec	Carbon Steel Ball Valves	Evaporator Cooler Float Valve...34	Long Bonnet.....8	Three Piece38
Boiler Drain 22	Flanged38	F	Soft Seat..... 8, 21	Two Piece36
Garden Valve 22	Three Piece37	Flanges.....35, 55	Stainless Steel.....40, 43	
Hose Bibb 23	Two Piece38	Float Rod.....34	Stop & Waste21	Stainless Steel Check Valve.... 41, 43
Low Pressure Valves 22-23	Cast Iron Swing Check Valves ...51	Float Valve34	Stops21	Stainless Steel Gate Valve..... 39, 43
Pex Sillcocks 22	Cast Iron Flanges.....55	Foot Valve18		Stainless Steel Y Strainer.....43
Sillcocks 22-23	Cast Iron Gate Valve 47-50	Forged Carbon Steel Valves		Steam Air Vents29
B	Cast Iron Globe Valve49	Check Valves.....41		Steam Valves..... 28-29
Back Flow Preventers.....19	Cast Steel Flanged Valves42	Gate Valves.....39	H	Stop Valves
Balancing Valves.....35	Check Valves	Globe Valves40	Hose Bibb..... 23-25	Brass21
Ball Drip Valve.....19	AWWA.....52	Forged Stainless Steel Valves	I	Globe.....21
Ball Valves	Brass17	Check Valves.....41	Inline Check Valve18	Sump Pump Check Valve18
Carbon Steel..... 37-38	Bolted Bonnet41-42	Gate Valves.....39	L	Supply Valves
Cast Brass.....7	Bronze17, 53	Globe Valves40	Log Lighters - CSA10	MULTI TURN
Cast Bronze.....7	BUNA-N Seat.....17, 53	Frost Free Sillcock..... 23, 27	Loose Key Valve.....22, 31	Angle..... 30-31
Compression Ends.....6	Carbon Steel.....41	G	M	Compression 30-31
Cold Expansion.....7	Cast Iron.....51	Garden Valves26	Meter Valve34	Dual Compression 30-31
CPVC.....12	Cast Brass.....17	Gaskets56	MJ Accessory Sets.....57	Pex Compression 30-31
CSA4-5	Cast Bronze.....17	Gas Valves	N	Straight 30-31
Drain Cap.....7	Cast Steel.....42	One Piece - CSA/UL.....9	No Kink	QUARTER TURN- OVAL HANDLES
Drop Ear7	Ductile Iron52	Two Piece - CSA/ UL.....9	Valve.....23	Angle..... 32-33
Flanged 6, 38	Flanged42, 51-52	Log Lighter - CSA10	Hose Bibb24	Compression 32-33
Forged Brass..... 4-7, 37	Forged41	Gate Valves	O	Dual Compression 32-33
Full Port..... 4-7, 36-38	Full Port42	ANSI.....13	Oil Barrel Faucet.....35	Pex Compression 32-33
Gas.....9	Horizontal Pattern17	Bronze 14-15	Oil Tank Valve.....35	Straight 32-33
Heavy Duty.....5	IBBM.....51	Bolted Bonnet.....39, 42	Operating Nuts.....58	Swing Check Valve41-43, 51-52
Hose Bibb24	Inline18	BUNA46	P	SVF Valves 36-43
Locking Handles..... 4, 36-38	One Piece.....18	Carbon Steel.....39	Post Indicators45	T
Long Bonnet6	OS&Y52	Cast Brass.....13	Press Ball Valve5	Tankless Water Heater Kit35
Male X Female..... 5, 7	PVC18	Cast Iron..... 47-48	Push Connect Ball Valve.....5	T-Wrench57
NPT.....36-38	Reduced Port.....41	Cast Steel.....42	PVC Flanges.....55	V
NSF11-12	Spring Loaded.....18	Compression Ends.....13	PVC Valves	Vacuum Breakers
One Piece..... 7, 36	Stainless Steel..... 18, 41	CPVC Stub-Outs.....13	Ball Valves 11-12	Aztec..... 22-23
Pex Ends.....7	Sump Pump.....18	Cross Handle13	Check Valves.....18	Brass19
Press.....5	Swing 17, 41-43, 51-52	Crown Handle13		Chrome19
Push Connect.....5	Trim 841	Ductile Iron 44-46, 50		Self Draining23
PVC11-12	UL/FM52	Federal Specification 14-15	Q	W
Reduced Port.....36	Wafer Style53	Flanged 42, 44, 46-47, 50	Quick Opening Gate Valve15	Wafer Style Check Valves.....53
SS Cross Handles.....6	Y Pattern17	Forged39	R	Water Heater Drain Valves29
SS Thumb Grip Handles.....4	Circulator Flange Kit35	Heavy Pattern..... 14-15	Radiator Valves	Water Heater Kit.....35
Stainless Steel..... 6, 36, 38	Coin Key Valves29	IAPMO13	Angle Valve 28-29	Wheel Handles.....58
Standard Port.....6-7	Cold Expansion7	Flanged x MJ.....45	Hot Water Radiator29	
Tee Handles..... 4, 7	Companion Flanges.....55	Flanged x Push-On.....45	Radiator Gate Valve.....28	
Three Piece 37-38	Convactor Valve29	Full Port..... 13-15, 42	Steam Radiator.....28	
Two Piece 36-37	CPVC Ball Valve.....12	Mechanical Joint..... 44, 46		
UL/FM4-5	D	NPT39		
Uni-Flange.....6	Drain Valve29	NRS13-15, 44-48		
UPC.....4-5, 7	Drip Valve19	OS&Y14, 50		
With Waste Drain 5, 7	Ductile Iron Valves	Push-On X Push-On.....45		
Boiler Drains.....20	AWWA.....44-46, 50	Reduced Port.....39		
Bolt & Gasket Sets56	Check Valves.....52	Resilient Wedge 44-47, 50		
Butterfly Valves	Flanged44-46, 50	Ring Tite46		
B1 - PVC Wafer Style.....61	Flanged x MJ.....45	Rising Stem14		
B1 - Parts.....61	Flanged x Push-On.....45	Solid Wedge.....13		
B5 - Wafer Style.....62	Mechanical Joint..... 44, 46	Stainless Steel.....39, 43		
B5 - Lug Style.....62	NRS 44-46	Trim 839, 42		
B5 - Parts.....63	OS&Y50	UL/FM44-45, 50		
B6 - Wafer Style.....64	Post Indicator Attachments...45	USC.....47, 50		
B6 - Lug Style.....64	Push-On X Push-On45	Wheel Handle13		
B6 - Parts.....65	Resilient Wedge44-46, 50	With Drain13		
B7 - Wafer Style.....65	Ring Tite.....46	Globe Valves		
	Rising Stem.....50	Carbon Steel.....40		

Copyright ©2022 by
MATCO-NORCA Incorporated. Reproduction or duplication of the
contents herein prohibited without permission.

MATCO-NORCA reserves the right to change products depicted herein at
any time, and accepts no liability for errors or omissions.

Certifications and Approvals

Matco-Norca is committed to maintaining a high standard of quality for all the products we offer. Most products in this catalog are labeled with a designated approval or certification code. Below is a brief description of these approvals.



ADA American Disabilities Act — Protecting the rights of people with physical or mental disabilities.



ANSI American National Standards Institute — Organization that coordinates work among U.S. Standards writing groups; Works in conjunction with other groups such as ISO, ASME, ASTM, etc.



ASME American Society of Mechanical Engineers — Develops standards and testing criteria for finished products.



ASSE American Society of Sanitary Engineering — Develops standards and qualifies products for plumbing and sanitary installations.



ASTM American Society for Testing Materials — Develops standards for materials, products, systems and services.



AWWA American Water Works Association — Promotes public health through improvement of water quality. Develops standards for valves, fittings and equipment.



CSA The CSA Group (formerly the Canadian Standards Association; CSA) — is a global organization dedicated to safety, social good and sustainability. They are a leader in Standards Development and in Testing, Inspection and Certification around the world including Canada, the U.S., Europe and Asia. Their mandate is to hold the future to a higher standard.



CEC California Energy Commission — As the state's primary energy policy and planning agency, the California Energy Commission is committed to reducing energy costs and environmental impacts of energy use - such as greenhouse gas emissions - while ensuring a safe, resilient, and reliable supply of energy.



EPA EPA WaterSense® — A U.S. Environmental Protection Agency (EPA) program designed to encourage water efficiency in the United States through the use of a special label on consumer products.



FM Factory Mutual — Develops standards and qualifies products for use by the general public.



ISO International Organization for Standardization — Develops voluntary, consensus-based, market relevant International Standards that support innovation and provide solutions to global challenges. More specifically, ISO 9001 sets out the criteria for a quality management system and is the only standard within the family that can be certified to.



MSS Mechanics Standardization Society of the Valves & Fittings Industry, Inc. — A committee of manufacturers that develops technical codes and standards for the valve & fitting industry.



NACE National Association of Corrosion Engineers — Equips society to protect people, assets and the environment from the adverse effects of corrosion.



NSF NSF International — An organization committed to public health that writes standards and certifies products for food, water and consumer products.



SDWA The Safe Drinking Water Act — Is the main federal law that ensures the quality of Americans' drinking water. Under SDWA, EPA sets standards for drinking water quality and oversees the states, localities, and water suppliers who implement those standards. Weighted average lead content of water contact components must be 0.25% or less.



UL Underwriter's Laboratory — Tests and qualifies valve and fittings products under UL standards for safety.



UPC Uniform Plumbing Code — Developed by the International Association of Plumbing and Mechanical Officials to govern the installation and inspection of plumbing systems as a means of promoting the public's health, safety and welfare.



USC University of Southern California — Foundation for Cross-Connection Control and Hydraulic Research that lists approved backflow prevention assemblies.

Ball Valves | Full Port



Stainless Steel Replacement Handles & Locking Handles Available for Lever Operated 759 Ball Valve

Ball Valves / Full Port

757		Ball Valve - Full Port - Forged Brass - UL/FM Certified		
<ul style="list-style-type: none"> • Lead Free Version Available • CSA Approved 		<ul style="list-style-type: none"> • 600 WOG - 150 SWP 		
Model Number		Carton Quantities		
IPS	SIZE	INNER	MASTER	
757T01	1/4"	12	144	
757T02	3/8"	12	144	
757T03	1/2"	12	144	
757T04	3/4"	10	70	
757T05	1"	10	60	
757T06	1-1/4"	6	36	
757T07	1-1/2"	4	24	
757T08	2"	4	6	

759		Ball Valve - Full Port - Forged Brass		
<ul style="list-style-type: none"> • Lead Free Version Available • CSA Approved - 1/2" - 2" IPS Only 		<ul style="list-style-type: none"> • 600 WOG - 150 SWP 1/4" - 2" • 400 WOG - 100 SWP 2-1/2" - 4" 		
Model Number		Carton Quantities		
IPS	CxC	SIZE	INNER	MASTER
759T01	-	1/4"	15	120
759T02	-	3/8"	15	120
759T03	759C03	1/2"	15	120
759T04	759C04	3/4"	10	60
759T05	759C05	1"	8	48
759T06	759C06	1-1/4"	4	24
759T07	759C07	1-1/2"	2	24
759T08	759C08	2"	2	12
759T09	759C09	2-1/2"	2	6
759T10	759C10	3"	1	4
759T11	759C11	4"	1	2
Also Available with Tee Handle: 1/4" - 1"				
759T01T	-	1/4"	12	144
759T03T	759C03T	1/2"	15	120
759T04T	759C04T	3/4"	10	60
759T05TLF	759C05T	1"	8	48
Also Available with Stainless Steel Thumb Grip Handle: 1/2" - 1" Handles Are Not Interchangeable.				
759T03TS	-	1/2"	15	120
759T04TS	759C04TS	3/4"	10	80
759T05TS	759C05TS	1"	8	48

759LHLF		Lead Free Ball Valve - Full Port - Forged Brass - With Locking Handle		
<ul style="list-style-type: none"> • CSA Approved - 1/2" - 2" 		<ul style="list-style-type: none"> • 600 WOG - 150 SWP 		
Model Number		Carton Quantities		
IPS	SIZE	INNER	MASTER	
759T01LHLF	1/4"	15	120	
759T02LHLF	3/8"	15	120	
759T03LHLF	1/2"	15	120	
759T04LHLF	3/4"	10	60	
759T05LHLF	1"	8	48	
759T06LHLF	1-1/4"	4	24	
759T07LHLF	1-1/2"	2	24	
759T08LHLF	2"	2	12	
759T09LHLF	2-1/2"	2	6	
759T10LHLF	3"	2	4	
759T11LHLF	4"	1	2	





Ball Valve - Full Port - Forged Brass - MIP X FIP **759MF**

- Lead Free Version Available
- 600 WOG

Model Number		Carton Quantities	
WITH TEE HANDLE	SIZE	INNER	MASTER
759MF0001T	1/8" x 1/4"	12	144
759MF00T	1/8" x 1/8"	12	144
759MF01T	1/4" x 1/4"	12	144

Lead Free Push Connect Ball Valve - Full Port - Forged Brass **720QLF**

- 200 WOG

Model Number		Carton Quantities	
	SIZE	INNER	MASTER
720Q03LF	1/2"	12	72
720Q04LF	3/4"	12	60
720Q05LF	1"	6	36



Ball Valve - Full Port - Forged Brass - Heavy Duty - Made In Italy **755**

- 1/4" - 2" - 150 SWP 600 WOG
- 2-1/2" - 4" - 100 SWP 400 WOG
- Nickel Plated
- UL/FM Certified 1/2" - 2"

Model Number		Carton Quantities	
IPS	SIZE	INNER	MASTER
755T01	1/4"	10	150
755T02	3/8"	10	120
755T03	1/2"	20	120
755T04	3/4"	12	60
755T05	1"	10	30
755T06	1-1/4"	4	20
755T07	1-1/2"	4	16
755T08	2"	2	6
755T09	2-1/2"	1	5
755T11	4"	1	4



Lead Free Press Ball Valve - Full Port - Forged Brass **759PLF**

- 1/2" - 2" - 600 WOG
- 2-1/2" - 4" - 250 WOG
- Stem Extensions & Locking Handles Available

Model Number		Carton Quantities	
	SIZE	INNER	MASTER
759P03LF	1/2"	15	120
759P04LF	3/4"	10	60
759P05LF	1"	8	48
759P06LF	1-1/4"	4	24
759P07LF	1-1/2"	2	24
759P08LF	2"	2	12
759P09LF	2-1/2"	2	6
759P10LF	3"	2	4
759P11LF	4"	1	2



Lead Free Press Ball Valve - Full Port - Forged Brass - With Waste Drain **759PDLF**

- 150 SWP
- 600 WOG

Model Number		Carton Quantities	
IPS	SIZE	INNER	MASTER
759PD03LF	1/2"	10	100
759PD04LF	3/4"	10	60
759PD05LF	1"	8	48



Lead Free Ball Valve - Full Port - Forged Brass **750LF**

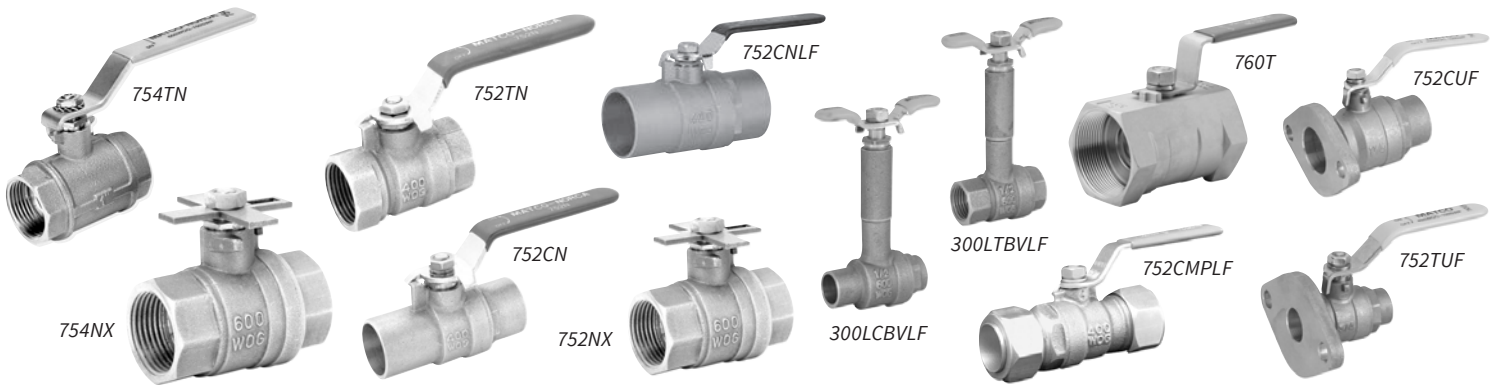
- 150 SWP
- 600 WOG

Model Number		Carton Quantities		
IPS	CxC	SIZE	INNER	MASTER
750T03LF	750C03LF	1/2"	8	80
750T04LF	750C04LF	3/4"	8	64
750T05LF	750C05LF	1"	8	48
750T06LF		1-1/4"	4	24
750T07LF		1-1/2"	2	24
750T08LF		2"	2	12



Ball Valves | Full Port & Standard Port

Ball Valves / Full Port & Standard Port



754N		Ball Valve - Full Port - Forged Brass		
<ul style="list-style-type: none"> • 1/4" - 2" - 150 SWP 600 WOG • 2-1/2" - 4" - 100 SWP 400 WOG 		<ul style="list-style-type: none"> • Nickel Plated 		
Model Number		Carton Quantities		
IPS	SIZE	INNER	MASTER	
754T01N	1/4"	30	120	
754T02N	3/8"	30	120	
754T03N	1/2"	15	120	
754T04N	3/4"	10	90	
754T05N	1"	6	60	
754T06N	1-1/4"	6	36	
754T07N	1-1/2"	4	24	
754T08N	2"	2	16	
754T09N	2-1/2"	1	8	
754T10N	3"	1	6	
754T11N	4"	1	4	
<i>Also Available with Stainless Steel Cross Handle - IPS Only</i>				
754T05NX	1"	5	60	

752N		Ball Valve - Standard Port - Forged Brass		
<ul style="list-style-type: none"> • IPS 1/4" - 2" - 150 SWP 600 WOG • IPS 2-1/2" - 4" - 150 SWP 400 WOG 		<ul style="list-style-type: none"> • Lead Free Version Available • CxC 3/8" - 2" - 150 SWP 400 WOG 		
Model Number		Carton Quantities		
IPS	CxC	SIZE	INNER	MASTER
752T01N	-	1/4"	6	240
752T02N	752C02N	3/8"	6	240
752T03N	752C03N	1/2"	6	120
752T04N	752C04N	3/4"	6	120
752T05N	752C05N	1"	6	60
752T06N	752C06NLF	1-1/4"	2	30
752T07N	752C07N	1-1/2"	2	30
752T08N	752C08N	2"	2	24
752T09N	-	2-1/2"	1	12
752T10N	-	3"	1	8
752T11N	-	4"	1	6
<i>Also Available with Stainless Steel Cross Handle - IPS Only</i>				
752T03NX		1/2"	10	100
752T04NX		3/4"	10	100

300BV		Lead Free Long Bonnet Brass Ball Valve - Full Port		
<ul style="list-style-type: none"> • 600 WOG 				
Model Number		Carton Quantities		
	SIZE	INNER	MASTER	
300LC3BVLV	1/2" C x C	6	72	
300LT3BVLV	1/2" IPS	6	72	
300LC4BVLV	3/4" C x C	6	72	
300LT4BVLV	3/4" IPS	6	72	

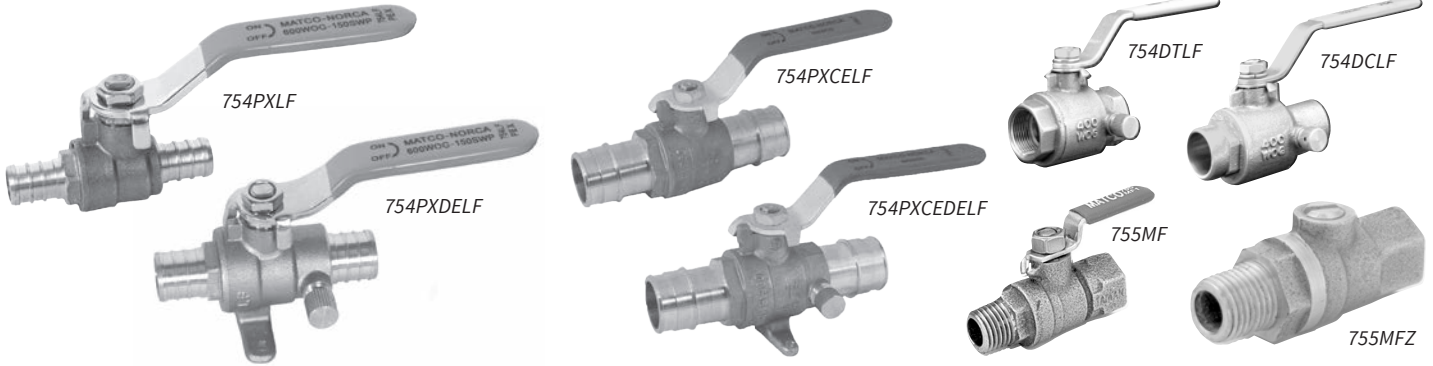
760		Ball Valve - Standard Port - One Piece - 316 Stainless Steel		
<ul style="list-style-type: none"> • 1/4" - 1-1/4" - 1000 WOG 		<ul style="list-style-type: none"> • 1-1/2" - 2" - 800 WOG 		
Model Number		Carton Quantities		
IPS	SIZE	INNER	MASTER	
760T01	1/4"	60	250	
760T02	3/8"	40	160	
760T03	1/2"	20	80	

752CMPLF		Lead Free Ball Valve - Standard Port - Forged Brass		
<ul style="list-style-type: none"> • 400 WOG 		<ul style="list-style-type: none"> • With Compression Ends For Copper Tube Pipe 		
Model Number		Carton Quantities		
	SIZE	INNER	MASTER	
752CMP3LF	1/2" nominal	25	100	
752CMP4LF	3/4" nominal	15	60	
752CMP5LF	1" nominal	10	40	

752UF		Ball Valve - Full Port - Uni-Flange With Gasket, 2 Bolts & 2 Nuts		
<ul style="list-style-type: none"> • 400 WOG 				
Model Number		Carton Quantities		
IPS x FLANGE	COPPER x FLANGE	SIZE	INNER	MASTER
752T04UF	752C04UF	3/4"	1	24
752T05UF	752C05UF	1"	2	18
752T06UF	752C06UF	1-1/4"	1	12
752T07UF	752C07UF	1-1/2"	1	10



Full Port & Standard Port | Ball Valves



Lead Free Cold Expansion Ball Valve - Full Port - Forged Brass - Pex Barb Ends **754PXCEL**

• 100 SWP • 400 WOG

Model Number	SIZE	Carton Quantities	
		INNER	MASTER
754PXCE03LF	1/2" x 1/2" PEX	10	100
754PXCE04LF	3/4" x 3/4" PEX	10	100
754PXCE05LF	1" x 1" PEX	6	48
754PXCE06LF	1-1/4" x 1-1/4" PEX	6	24
754PXCE07LF	1-1/2" x 1-1/2" PEX	4	16
754PXCE08LF	2" x 2" PEX	2	8
WITH TEE HANDLE			
754PXCE03TLF	1/2" x 1/2" PEX	10	100
754PXCE04TLF	3/4" x 3/4" PEX	10	100
754PXCE05TLF	1" x 1" PEX	6	48
WITH WASTE DRAIN & DROP EAR			
754PXCEDE03LF	1/2" x 1/2" PEX	10	100
754PXCEDE04LF	3/4" x 3/4" PEX	10	100
754PXCEDE05LF	1" x 1" PEX	6	48
MNPT X COLD EXPANSION			
754PXCEM03LF	1/2" x 1/2" PEX	10	100
754PXCEM04LF	3/4" x 3/4" PEX	8	80
754PXCEM05LF	1" x 1" PEX	6	48
FNPT X COLD EXPANSION			
754PXCEF03LF	1/2" x 1/2" PEX	10	100
754PXCEF04LF	3/4" x 3/4" PEX	8	64
754PXCEF05LF	1" x 1" PEX	6	48



Lead Free Ball Valve - Full Port - Forged Brass - Pex Barb Ends **754PXL**

• 150 SWP • 600 WOG

Model Number	SIZE	Carton Quantities	
		INNER	MASTER
754PX03LF	1/2" x 1/2" PEX	10	100
754PX04LF	3/4" x 3/4" PEX	10	100
754PX05LF	1" x 1" PEX	8	48
754PX06LF	1-1/4" x 1-1/4" PEX	4	24
754PX07LF	1-1/2" x 1-1/2" PEX	2	24
754PX08LF	2" x 2" PEX	2	12
WITH TEE HANDLE			
754PX03TLF	1/2" x 1/2" PEX	10	100
754PX04TLF	3/4" x 3/4" PEX	10	100
754PX05TLF	1" x 1" PEX	8	48
MNPT X PEX			
754PXM03LF	1/2" x 1/2" PEX	10	100
754PXM04LF	3/4" x 3/4" PEX	8	64
754PXM05LF	1" x 1" PEX	6	48
WITH WASTE DRAIN & DROP EAR			
754PXDE03LF	1/2" x 1/2" PEX	8	80
754PXDE04LF	3/4" x 3/4" PEX	8	80
754PXDE05LF	1" x 1" PEX	4	40



Lead Free Ball Valve - Full Port - Cast Brass **754DLF**

• 400 SWP • With Waste Drain

Model Number	IPS	Cx C	SIZE	Carton Quantities	
				INNER	MASTER
754DT3LF	754DC3LF		1/2"	20	80
754DT4LF	754DC4LF		3/4"	10	40
754DT5LF	754DC5LF		1"	4	16
DRAIN CAP					
754PCAP			1/2" - 1"	1	500

Ball Valve - Male x Female Test Cock - Cast Bronze **755MF**

• Lead Free Version Available • 150 SWP 600 WOG

Model Number	SIZE	Carton Quantities	
		INNER	MASTER
WITH LEVER HANDLE			
755MF00	1/8" MIP x 1/8" FIP	12	144
755MF0	1/8" MIP x 1/4" FIP	12	144
755MF1	1/4" MIP x 1/4" FIP	12	144
WITH SLOTTED SCREW			
755MFZ0	1/8" MIP x 1/4" FIP	50	200
755MFZ1	1/4" MIP x 1/4" FIP	20	200



Globe Valves



200TLF



240T



240TH



200LT



200ALC

200LF		Lead Free Globe Valve - Brass - Hard Seat	
• 125 SWP		• 200 WOG	
Model Number		Carton Quantities	
IPS	SIZE	INNER	MASTER
200T02LF	3/8"	10	100
200T03LF	1/2"	10	100
200T04LF	3/4"	40	60
200T05LF	1"	5	40
200T06LF	1-1/4"	5	30
200T07LF	1-1/2"	4	24
200T08LF	2"	2	16

240T		Angle Control Valve - Globe Pattern - Brass - Soft Seat - Cross Handle	
• Lead Free Version Available		• 200 PSI CWP	
Model Number		Carton Quantities	
IPS	SIZE	INNER	MASTER
240T04	3/4"	8	40
240T05	1"	4	24
240T06	1-1/4"	2	10
240T07	1-1/2"	2	10
240T08	2"	2	10

240H		Angle Control Valve - Globe Pattern - Brass - Soft Seat - Bronze Wheel Handle	
• Lead Free Version Available		• 200 PSI CWP	
Model Number		Carton Quantities	
IPS	SIZE	INNER	MASTER
240T08H	2"	2	10

200L/200AL		Globe Valve - Long Bonnet - Brass - Soft Seat	
• Lead Free Version Available		• 125 PSI	
Model Number		Carton Quantities	
STRAIGHT PATTERN	SIZE	INNER	MASTER
200LT3	1/2" IPS	12	72
200LT4	3/4" IPS	12	72
200LC3	1/2" C x C	12	72
200LC4	3/4" C x C	12	72
ANGLE PATTERN	SIZE	INNER	MASTER
200ALT3	1/2" IPS	12	72
200ALC3	1/2" C x C	12	72





58LGN



58LGF



58LGF



59LGA



59LGF



59LGF

Gas Ball Valve - 1/2 PSIG and 5G - Two Piece				58LGN
Model Number		Carton Quantities		
FIP x FIP	SIZE	INNER	MASTER	
58LGA3N	1/2"	12	120	
58LGA4N	3/4"	12	120	
58LGA5N	1"	6	60	

Gas Ball Valve - 1/2 PSIG and 5G - Two Piece				58LGF
Model Number		Carton Quantities		
FIP x FLARE	SIZE	INNER	MASTER	
58LGF32	1/2" FIP x 3/8" FL	12	144	
58LGF33	1/2" FIP x 1/2" FL	12	144	
58LGF39	1/2" FIP x 9/16" - 24	12	144	
58LGF4	3/4" FIP x 15/16" - 24	12	144	

Gas Ball Valve - 1/2 PSIG and 5G - Two Piece				58LGF
Model Number		Carton Quantities		
FLARE x FLARE	SIZE	INNER	MASTER	
58LGF2	3/8" O.D. x 3/8" O.D.	12	144	
58LGF3	1/2" O.D. x 1/2" O.D.	12	144	

Gas Ball Valve - 1/2 PSIG and 5G - One Piece				59LGA
Model Number		Carton Quantities		
FIP x FIP	SIZE	INNER	MASTER	
59LGA3	1/2"	12	96	
59LGA4	3/4"	20	80	

Gas Ball Valve - 1/2 PSIG and 5G - One Piece				59LGF
Model Number		Carton Quantities		
FIP x FLARE	SIZE	INNER	MASTER	
59LGF32	1/2" FIP x 3/8" FL	1	144	
59LGF33	1/2" FIP x 1/2" FL	12	144	
59LGF34	3/4" FIP x 1/2" FL	1	1	
59LGF39	1/2" FIP x 9/16" - 24	12	144	

Gas Ball Valve - 1/2 PSIG and 5G - One Piece - Made in Italy				59LGF
Model Number		Carton Quantities		
FLARE x FLARE	SIZE	INNER	MASTER	
59LGF4	5/8" O.D. x 5/8" O.D.	1	100	



Log Lighter Valves & Accessories



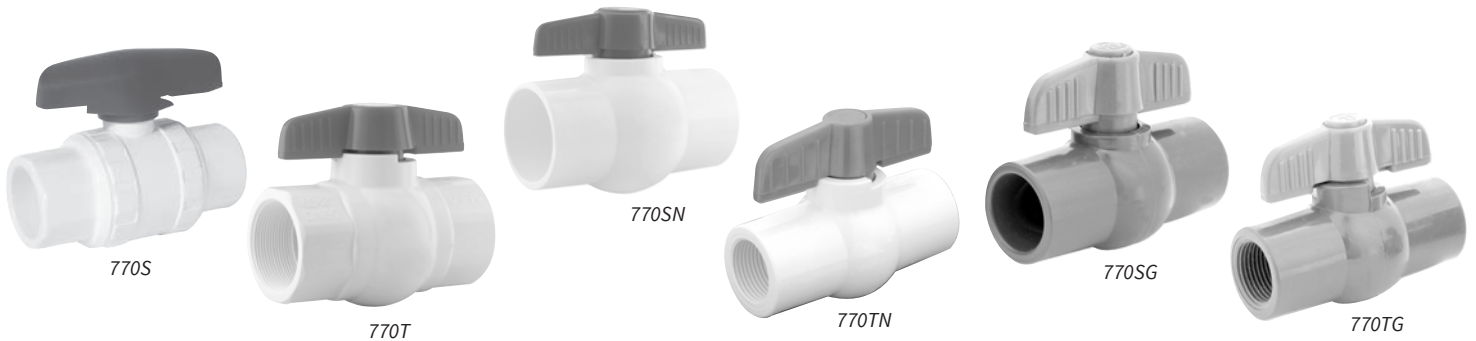
58		Log Lighter Valves	
Model Number		Carton Quantities	
VALVE ONLY	SIZE	INNER	MASTER
58-S03	1/2" Straight Valve	15	120
58-A03	1/2" Angle Valve	15	120
STRAIGHT VALVE - COMPLETE KITS INCLUDE VALVE, ESCUTCHEON AND 3" KEY			
58-STR03	1/2" With Chrome Plated Escutcheon & Key	1	25
58-STR03P	1/2" With Polished Brass Escutcheon & Key	1	25
ANGLE VALVE - COMPLETE KITS INCLUDE VALVE, ESCUTCHEON AND 3" KEY			
58-ANG03	1/2" With Chrome Plated Escutcheon & Key	1	25
58-ANG03P	1/2" With Polished Brass Escutcheon & Key	1	25



58		Log Lighter Valves - Escutcheons & Keys	
Model Number		Carton Quantities	
ESCUTCHEONS	SIZE	INNER	MASTER
58-300CPD	Domed Chrome Plated	1	72
58-300PBD	Domed Polished Brass	1	72
58-300BND	Domed Brushed Nickel	1	72
58-300SND	Domed Satin Nickel	1	72
58-300BN	Flat Brushed Nickel	1	120
58-300CP	Flat Chrome Plated	1	120
58-300PB	Flat Polished Brass	1	120
KEY			
58-200CP	3" Chrome Plated for 1/4" Stem	1	400
58-208CP	8" Chrome Plated for 1/4" Stem	1	400
58-208PB	8" Polished Brass for 1/4" Stem	1	180
58-212PB	12" Polished Brass for 1/4" Stem	20	120
58-208BN	8" Brushed Nickel for 1/4" Stem	1	400
58-212BN	12" Brushed Nickel for 1/4" Stem	20	100
58-200SN	3" Satin Nickel for 1/4" Stem	1	1



White & Gray PVC Ball Valves



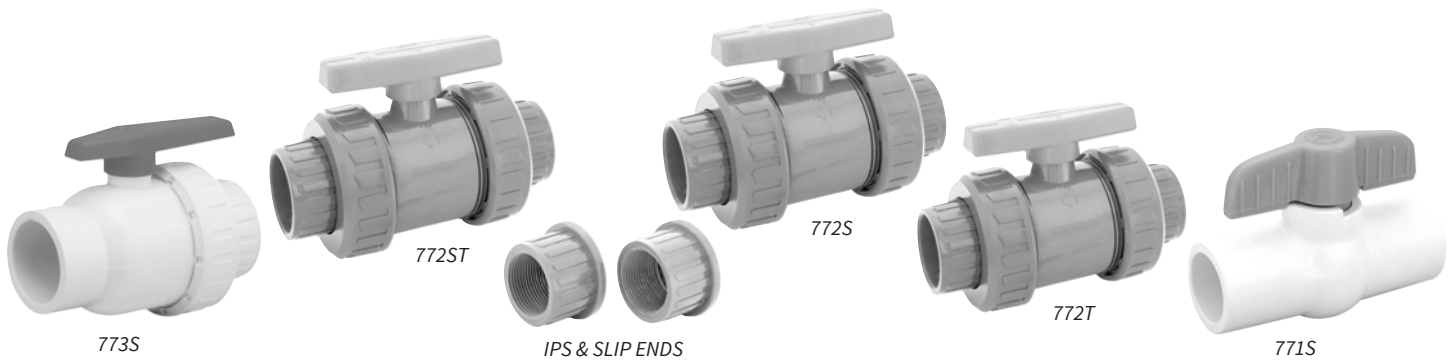
Sch. 40 PVC Ball Valve - NSF - Solvent & Threaded - PTFE Seats				770	
• 150 PSI @ 73° F		• Fits Both Schedule 40 & 80 Pipe			
Model Number		Carton Quantities			
SOLVENT	THREADED	SIZE	INNER	MASTER	
770S03	770T03	1/2"	1	100	
770S04	770T04	3/4"	1	100	
770S05	770T05	1"	1	50	
770S06	770T06	1-1/4"	1	50	
770S07	770T07	1-1/2"	1	50	
770S08	770T08	2"	1	20	
770S09	770T09	2-1/2"	1	12	
770S10	770T10	3"	1	12	
770S11	770T11	4"	1	6	
See 770N for 6" PVC Ball Valve.					

Sch. 40 PVC Ball Valve - Solvent & Threaded - PTFE Seats				770N	
• 150 PSI @ 73° F		• Fits Both Schedule 40 & 80 Pipe			
• Economy Pattern					
Model Number		Carton Quantities			
SOLVENT	THREADED	SIZE	INNER	MASTER	
770S03N	770T03N	1/2"	10	100	
770S04N	770T04N	3/4"	10	100	
770S05N	770T05N	1"	10	50	
770S06N	770T06N	1-1/4"	5	50	
770S07N	770T07N	1-1/2"	5	50	
770S08N	770T08N	2"	5	20	
770S09N	770T09N	2-1/2"	1	12	
770S10N	770T10N	3"	1	12	
770S11N	770T11N	4"	1	6	
770S13N	-	6"	1	5	
Sizes 2-1/2" - 6" Come with Lever Handles.					

Sch. 80 PVC Ball Valve - NSF - Solvent & Threaded - PTFE Seats				770G	
• 150 PSI @ 73° F		• Fits Both Schedule 40 & 80 Pipe			
Model Number		Carton Quantities			
SOLVENT	THREADED	SIZE	INNER	MASTER	
770S03G	770T03G	1/2"	1	100	
770S04G	770T04G	3/4"	1	100	
770S05G	770T05G	1"	1	50	
770S06G	770T06G	1-1/4"	1	50	
770S07G	770T07G	1-1/2"	1	50	
770S08G	770T08G	2"	1	20	
770S09G	770T09G	2-1/2"	1	12	
770S10G	770T10G	3"	1	12	
770S11G	770T11G	4"	1	6	



PVC & CPVC Ball Valves



PVC & CPVC Ball Valves

773 PVC Ball Valve - Single Union - Solvent & Threaded - EPDM Seats				
• 150 PSI @ 73 ° F				
Model Number			Carton Quantities	
SOLVENT	THREADED	SIZE	INNER	MASTER
773S07	773T07	1-1/2"	1	48
773S08	773T08	2"	1	24

772 PVC Ball Valve - True Union - Solvent or Threaded Ends - PTFE Seats				
• 150 PSI @ 73 ° F • Solvent or Threaded Ends in Box				
Model Number			Carton Quantities	
SOLVENT	THREADED	SIZE	INNER	MASTER
772S10	772T10	3"	1	6
772S11	772T11	4"	1	1

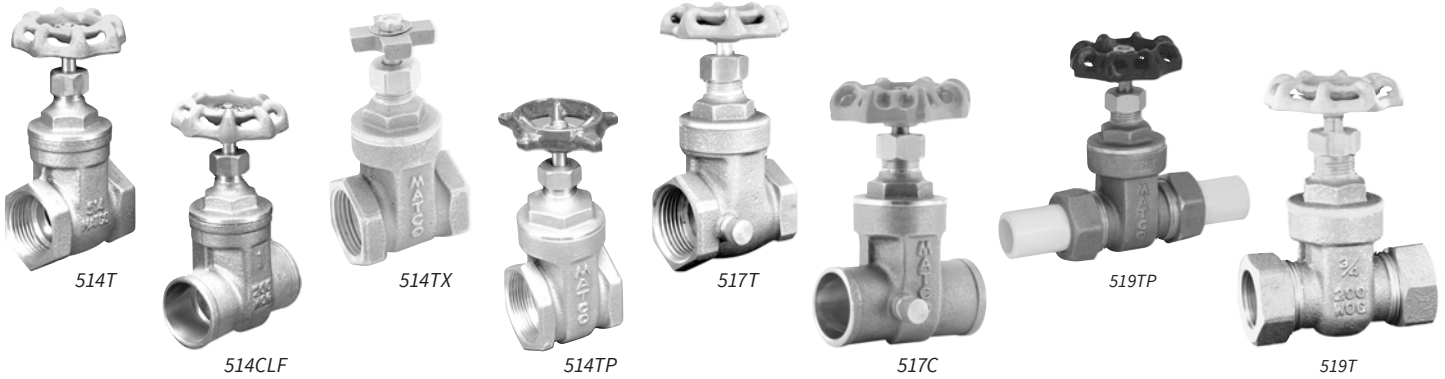
772ST Sch. 80 PVC Ball Valve - True Union - Solvent & Threaded Ends - PTFE Seats				
• 150 PSI @ 73 ° F • Both Solvent or Threaded Ends in Box				
Model Number		Carton Quantities		
SOLVENT	SIZE	INNER	MASTER	
772ST03	1/2"	1	72	
772ST04	3/4"	1	60	
772ST05	1"	1	45	
772ST06	1-1/4"	1	24	
772ST07	1-1/2"	1	16	
772ST08	2"	1	12	

See 772 for 3"- 4" True Union Ball Valves.

771 CPVC Ball Valve - NSF Approved - PTFE Seats				
• 100 PSI @ 180 ° F				
Model Number		Carton Quantities		
SOLVENT	SIZE	INNER	MASTER	
771S03	1/2"	1	100	
771S04	3/4"	1	100	
771S05	1"	5	40	
771S06	1-1/4"	1	100	
771S07	1-1/2"	1	48	
771S08	2"	1	24	



Brass Gate Valves



Gate Valve - Full Port - Cast Brass - Solid Wedge

514

- 125 SWP
- 200 WOG
- Wheel Handle IPS Lead Free Version Available
- Crown Handle Only Available in Standard Version
- Cross Handle IPS Lead Free Version Available
- Wheel Handle CxC Only Available in Lead Free

Model Number				Carton Quantities		
WHEEL HANDLE IPS	CROSS HANDLE IPS	CROWN HANDLE IPS	WHEEL HANDLE CxC	SIZE	INNER	MASTER
514T01	-	-	-	1/4"	10	120
514T02	-	-	-	3/8"	10	120
514T03	514T03X	514T03P	514C03LF	1/2"	10	120
514T04	514T04X	514T04P	514C04LF	3/4"	10	80
514T05	514T05X	514T05P	514C05LF	1"	5	60
514T06	514T06X	514T06P	514C06LF	1-1/4"	5	40
514T07	514T07X	514T07P	514C07LF	1-1/2"	5	30
514T08	514T08X	514T08P	514C08LF	2"	2	24
514T09	514T09X	514T09P	514C09LF	2- 1/2"	1	10
514T10	514T10X	514T10P	514C10LF	3"	1	6
514T11	514T11X	514T11P	514C11LF	4"	1	4

Replacement handles of each type are available.



Gate Valve With Drain - Cast Brass - Non Rising Stem

517

- 125 SWP
- 200 WOG

Model Number			Carton Quantities	
IPS	CxC	SIZE	INNER	MASTER
517T03	517C03	1/2"	10	120
-	517C04	3/4"	10	90
517T05	517C05	1"	5	60

Gate Valve - Cast Brass - Non Rising Stem

519

- Lead Free Version Available
- 200 WOG
- With Compression Ends for Copper Tube Pipe

Model Number		Carton Quantities	
	SIZE	INNER	MASTER
517T03	1/2" nominal	10	120
519T04LF	3/4" nominal	10	90
519T05	1" nominal	5	60

Gate Valve - Cast Brass - Compression With CPVC Stub-Outs

519TP

- Lead Free Version Available
- 200 WOG

Model Number		Carton Quantities	
	SIZE	INNER	MASTER
519T03TP	1/2"	12	72
519T04TPLF	3/4"	10	90



Bronze Gate Valves



501T

503T

511T

511C

512T

512C

501 Gate Valve - OS&Y - Rising Stem - Bronze B62

- 175 CWP

Model Number		Carton Quantities	
IPS ONLY	SIZE	INNER	MASTER
501T04	3/4"	6	60
501T05	1"	16	48
501T06	1-1/4"	12	36
501T07	1-1/2"	2	8
501T08	2"	1	6



503 Gate Valve - Full Port - Bronze - Heavy Pattern

- Lead Free Version Available
- 300 WOG
- 150 SWP
- MSS-SP-80

Model Number		Carton Quantities	
IPS ONLY	SIZE	INNER	MASTER
503T03	1/2"	10	100
503T04	3/4"	6	60
503T05	1"	5	40
503T06	1-1/4"	5	30
503T07	1-1/2"	4	24
503T08	2"	4	16
503T09	2-1/2"	2	8
503T10	3"	1	6
503T11	4"	1	4

511 Gate Valve - Federal Specification 54 Class A Type 1- Non Rising Stem - Bronze B62

- 150 SWP
- 300 WOG
- MSS-SP-80

Model Number		Carton Quantities	
IPS	CxC	INNER	MASTER
511T03	511C03	10	80
511T04	511C04	10	60
511T05	511C05	5	40
511T06	511C06	5	30
511T07	511C07	4	24
511T08	511C08	2	12

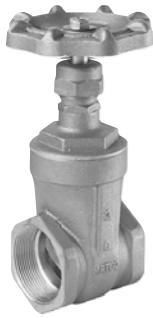
512 Gate Valve - Federal Specification 54 Class A Type 1- Rising Stem - Bronze B62

- 150 SWP
- 300 WOG
- MSS-SP-80
- IPS Lead Free Version Available
- CxC Only Available in Standard Version

Model Number		Carton Quantities	
IPS	CxC	INNER	MASTER
512T03	512C03	1	80
512T04	512C04	1	60
512T05	512C05	1	40
512T06	512C06	1	30
512T07	512C07	1	24
512T08	512C08	1	12
512T09	-	1	8
512T10	-	1	4



Bronze Gate Valves



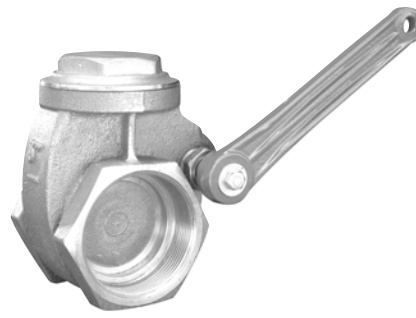
513T



513TX



513CS



730T

Gate Valve - Full Port - Heavy - Duty - Non Rising Stem - Bronze B62					513	
• 150 SWP		• MSS-SP-80				
• 300 WOG		• Lead Free Version Available				
Model Number			Carton Quantities			
IPS WHEEL HANDLE	IPS CROSS HANDLE	IPS CURB STOP HANDLE	SIZE	INNER	MASTER	
513T04	-	-	3/4"	5	50	
513T05	-	-	1"	5	40	
513T06	-	-	1-1/4"	4	24	
513T07	-	-	1-1/2"	4	24	
513T08	513T08X	513T08CS	2"	1	6	
-	513T09X	-	2-1/2"	1	10	
-	513T10X	-	3"	1	6	

Replacement handles of each type are available.

Quick Opening Gate Valve - Without Spring - Cast Bronze			730	
• 125 SWP		• 200 WOG		
Model Number		Carton Quantities		
IPS ONLY	SIZE	INNER	MASTER	
730T03	1/2"	20	100	
730T04	3/4"	20	100	
730T05	1"	10	50	
730T06	1-1/4"	10	50	
730T07	1-1/2"	6	30	
730T08	2"	4	20	
730T09	2-1/2"	2	12	
730T10	3"	2	10	
730T11	4"	1	5	



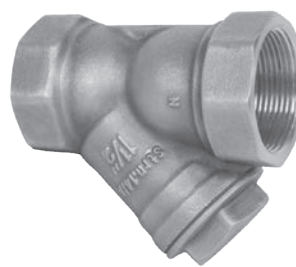
Bronze Y Strainers



145T



145CLF



146LF

145

Y Strainer - Cast Bronze - With Brass Plug - 20 Mesh Stainless Steel Screen

- 150 SWP
- 300 WOG
- MSS-SP-80
- IPS Lead Free Version Available
- CxC Only Available in Standard Version

Model Number			Carton Quantities		
IPS	CxC	SIZE		INNER	MASTER
145T01	-	1/4"	1/8"	12	48
145T02	-	3/8"	1/8"	12	48
145T03	145C03LF	1/2"	1/4"	12	48
145T04	145C04LF	3/4"	1/4"	8	48
145T05	145C05LF	1"	3/8"	8	32
145T06	145C06LF	1-1/4"	3/8"	8	24
145T07	145C07LF	1-1/2"	1/2"	2	16
145T08	145C08LF	2"	1/2"	2	8
145T09	-	2-1/2"	1-1/4"	1	6
145T10	-	3"	1-1/2"	1	4

Replacement Screens Available.

146LF

Lead Free Y Strainer - Brass - Compact

- Max Working Pressure: 200 PSI
- Working Temperature: 32 - 212°F

Model Number	SIZE	Carton Quantities	
		INNER	MASTER
146T03LF	1/2"	19	96
146T04LF	3/4"	7	84
146T05LF	1"	6	72
146T06LF	1-1/4"	2	24
146T07LF	1-1/2"	2	24





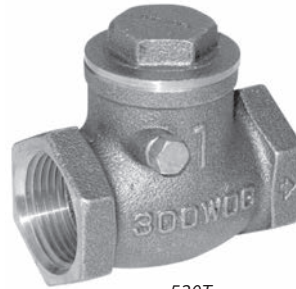
521T



521CLF



521N



530T



532T

Swing Check Valve - Cast Brass - Brass Seat

521

- 125 SWP • 200 WOG • IPS Lead Free Version Available

Model Number		Carton Quantities		
IPS	CxC LEAD FREE ONLY	SIZE	INNER	MASTER
521T02	-	3/8"	10	120
521T03	521C03LF	1/2"	10	120
521T04	521C04LF	3/4"	10	80
521T05	521C05LF	1"	5	60
521T06	521C06LF	1-1/4"	5	40
521T07	521C07LF	1-1/2"	5	30
521T08	521C08LF	2"	2	24
LEAD FREE AVAILABLE				
521T09	521C09	2-1/2"	1	15
521T10	521C10	3"	1	6
521T11	521C11	4"	1	6

Swing Check Valve - Cast Brass - BUNA-N Seat

521N

- 200 WOG • Lead Free Version Available

Model Number		Carton Quantities	
	SIZE	INNER	MASTER
521N02	3/8"	1	120
521N03	1/2"	10	120
521N04	3/4"	10	80
521N05	1"	5	60
521N06	1-1/4"	1	40
521N07	1-1/2"	5	20
521N08	2"	1	24
521N09	2-1/2"	1	15
521N010	3"	1	6
521N011	4"	1	6

Swing Check Valve - Cast Bronze B62 - Bronze Disc - Horizontal Pattern

530

- 150 SWP • 300 WOG • IPS Lead Free Version Available

Model Number		Carton Quantities		
IPS	IPS LEAD FREE ONLY	SIZE	INNER	MASTER
530T02	-	3/8"	10	120
	530T03LF	1/2"	10	120
-	530T04LF	3/4"	10	80
-	530T05LF	1"	5	60
-	530T06LF	1-1/4"	5	40
-	530T07LF	1-1/2"	5	30
ONLY AVAILABLE IN STANDARD				
530T09	530T03LF	2-1/2"	1	15
530T10	530T03LF	3"	1	6
530T11	530T04LF	4"	1	6

Swing Check Valve Y Pattern - Bronze B62

532

- 150 SWP • 300 WOG

Model Number		Carton Quantities	
IPS	SIZE	INNER	MASTER
532T03	1/2"	10	90
532T04	3/4"	10	80
532T05	1"	10	60
532T06	1-1/4"	5	30
532T07	1-1/2"	4	24
532T08	2"	2	16



Check Valves | FOOT, PVC & SUMP PUMP



523S



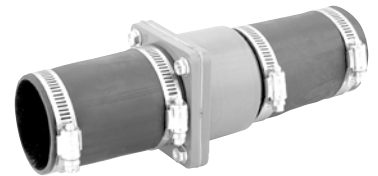
523T



525T



527TLF



529

523

PVC Inline Check Valve - 304 SS Spring - 1/2 PSI Crack Pressure - One Piece

- Max 150 PSI @ 122 ° F

Model Number		Carton Quantities		
SOLVENT	THREADED	SIZE	INNER	MASTER
523S03	523T03	1/2"	1	120
523S04	523T04	3/4"	1	120
523S05	523T05	1"	1	80
523S06	523T06	1-1/4"	1	60
523S07	523T07	1-1/2"	1	60
523S08	523T08	2"	1	40

525

Inline Check Valve - Spring Loaded - Bronze B62 - 1/2 PSI Crack Pressure

- 200 WOG
- IPS Lead Free Version Available
- CxC Available in Lead Free Only

Model Number		Carton Quantities		
IPS	CxC	SIZE	INNER	MASTER
525T03	525C03LF	1/2"	10	100
525T04	525C04LF	3/4"	10	80
525T05	525C05LF	1"	6	60
525T06	525C06LF	1-1/4"	4	40
525T07	525C07LF	1-1/2"	5	30
525T08	525C08LF	2"	5	20

527LF

Lead Free Foot Valve - Stainless Steel Screen - Bronze B62

- 200 WOG

Model Number		Carton Quantities		
IPS	SIZE	INNER	MASTER	
527T03LF	1/2"	1	100	
527T04LF	3/4"	1	80	
527T05LF	1"	1	60	
527T06LF	1-1/4"	1	40	
527T07LF	1-1/2"	1	30	
527T08LF	2"	1	20	

529

Sump Pump Check Valve - Flexible Rubber Connections - Stainless Steel Clamps

Model Number		Carton Quantities		
	SIZE	INNER	MASTER	
529-0706	1-1/2" x 1-1/4"	10	50	
529-0808	2" x 2"	10	50	



Vacuum Breaker, Ball Drip Valve & Back Flow Preventers



646AS4





BDVLF




BFP-90LF



DCVLF

Hose Bibb Vacuum Breaker - Brass - With Break - Away Set Screw				646AS
• Lead Free Version Available		• 3/4" Hose Connection		
• Conforms to ASSE 1011				
Model Number		Carton Quantities		
IPS	SIZE	INNER	MASTER	
646AS4	3/4" Brass Finish	12	144	
646ASC	3/4" Chrome Plated	12	144	
				 

Lead Free Dual Check Back Flow Preventer - Brass				DCVLF
• Conforms to ASSE 1011		• Max 175 PSI @140° F		
Model Number		Carton Quantities		
IPS	SIZE	INNER	MASTER	
DCV-04LF	3/4"	1	24	
DCV-05LF	1"	1	24	
				

Lead Free Ball Drip Valve - Brass - Two Piece				BDVLF
Model Number		Carton Quantities		
	SIZE	INNER	MASTER	
BDV-03LF	1/2"	10	100	
BDV-04LF	3/4"	10	100	

Lead Free Back Flow Preventer - Brass - With Atmospheric Vent					BFPLF
• Max 175 PSI @250° F					
Model Number		Carton Quantities			
IPS	CxC	SIZE	INNER	MASTER	
BFP-90-1/2LF	BFP-90-1/2-CLF	1/2" FIP	1	24	
BFP-90-3/4LF		3/4" FIP	1	24	

Vacuum Breaker, Ball Drip Valve & Back Flow Preventers

Join Our Email List




Brass Boiler Drains | FULL FLOW




Brass Boiler Drains / FULL FLOW

205F Boiler Drain - 3/4" Hose Outlet - Angle Spout - With Stuffing Box				
• Lead Free Version Available • 125 PSI				
Model Number		Carton Quantities		
MIP	INLET	INNER	MASTER	
205F03*	1/2"	12	72	
205F04	3/4"	12	72	
* 1/2" MIP & 1/2" SWT Inlet				
FIP				
205FF3	1/2"	12	72	
205FF4	3/4"	12	72	

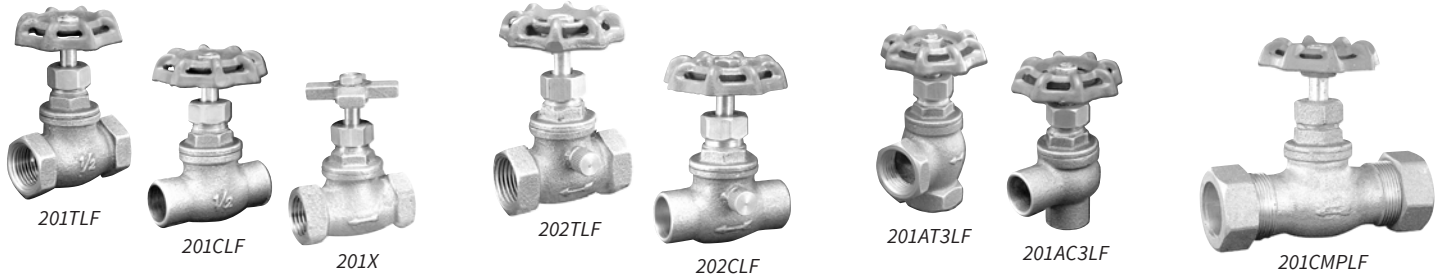
205 Boiler Drain - 3/4" Hose Outlet - With Stuffing Box				
• Lead Free Version Available • 125 PSI				
Model Number		Carton Quantities		
MIP	FIP	INLET	INNER	MASTER
205TM3*	205TF3	1/2"	12	72
205TM4	205TF4	3/4"	12	72
* 1/2" MIP & 1/2" SWT Inlet				
CTS COMPRESSION WITH NUT & FERRULE				
205TR3		1/2"	12	72

205CM Boiler Drain - 3/4" Hose Outlet - Angle Spout - With Stuffing Box				
• 125 PSI				
Model Number		Carton Quantities		
	INLET	INNER	MASTER	
205CM3	1/2" Male Copper Sweat	12	72	
				

204 Boiler Drain - 3/4" Hose Outlet - Less Stuffing Box				
• Lead Free Version Available • 125 PSI				
Model Number		Carton Quantities		
MIP	FIP	INLET	INNER	MASTER
204TM3*	204TF3	1/2"	12	72
204TM4	204TF4	3/4"	12	72
204LS3*	Long Shank 1/2" MIP With Locknut		12	72
* 1/2" MIP & 1/2" SWT Inlet				
				

214LF Lead Free Boiler Drain - Quarter Turn - 3/4" Hose Outlet				
• 125 PSI				
Model Number		Carton Quantities		
MIP	INLET	INNER	MASTER	
214M03LF*	1/2"	10	100	
214M04LF	3/4"	10	100	
* 1/2" MIP & 1/2" SWT Inlet				
FIP				
214F03LF	1/2"	10	100	
214F04LF	3/4"	10	100	





Stop Valve - Globe Style - Brass - Soft Seat					201
<ul style="list-style-type: none"> • 125 PSI • IPS and CxC Lead Free Only • IPS with Cross Handle Lead Free Version Available 					
Model Number		Carton Quantities			
IPS	CxC	SIZE	INNER	MASTER	
201T03LF	201C03LF	1/2"	12	72	
201T04LF	201C04LF	3/4"	12	72	
IPS WITH CROSS HANDLE					
	201X03	1/2"	12	72	
	201X04	3/4"	12	72	

Lead Free Angle Stop Valve - Globe Style - Brass - Soft Seat					201A
• 125 PSI					
Model Number		Carton Quantities			
		SIZE	INNER	MASTER	
	201AT3LF	1/2" IPS	12	72	
	201AC3LF	1/2" CxC	12	72	

Stop & Waste Valve - Globe Style - Brass - Soft Seat					202LF
• 125 PSI					
Model Number		Carton Quantities			
IPS	CxC	SIZE	INNER	MASTER	
202T03LF	202C03LF	1/2"	12	72	
202T04LF	202C04LF	3/4"	12	72	

Lead Free Stop & Waste Valve - Brass Nut & Ferrule					201/202CMLF
• 125 PSI • With Compression Ends for Copper Tube Pipe					
Model Number		Carton Quantities			
	WITH WASTE CAP	SIZE	INNER	MASTER	
201CMPLF	202CMPLF	1/2" nominal	12	72	
201CM4LF	202CM4LF	3/4" nominal	12	72	

Need Help?

CONTACT US DIRECTLY

1. mail@matco-norca.com
2. (800) 688-2583
3. [matco-norca.com/contact us](http://matco-norca.com/contact-us)

Contact Us



Aztec Low Pressure Valves | SILLCOCKS



AZ203 Aztec Bent Nose Garden Valve With Stuffing Box - Brass - Graphite Packing

- Lead Free Version Available
- 3/4" Hose Outlet
- 125 PSI

Model Number	Carton Quantities		
	INLET	INNER	MASTER
AZ203TF3	1/2" FIP	12	72
AZ203TF4	3/4" FIP	12	72
AZ203TF5	1" FIP	12	72



AZ206 Aztec Sillcock With Stuffing Box - Brass - Graphite Packing

- Lead Free Version Available
- 3/4" Hose Outlet
- 125 PSI

Model Number	Carton Quantities		
	INLET	INNER	MASTER
AZ206C034	3/4" Copper Fitting & 1/2" Copper Sweat	12	72
AZ206T03	1/2" FIP	12	72
AZ206T04	3/4" FIP	12	72



AZ206/LK Aztec Sillcock - Loose Key - Brass - Graphite Packing

- Lead Free Version Available
- 3/4" Hose Outlet
- 125 PSI

Model Number	Carton Quantities		
	INLET	INNER	MASTER
AZ206T03LK	1/2" FIP	12	72
AZ206T04LK	3/4" FIP	12	72



AZ205 Aztec Boiler Drain With Stuffing Box - Brass - Graphite Packing

- Lead Free Version Available
- 3/4" Hose Outlet
- 125 PSI

Model Number	Carton Quantities		
	INLET	INNER	MASTER
AZ205C034	3/4" Copper Fitting & 1/2" Copper Sweat	12	72
AZ205TF3	1/2" FIP	12	72
AZ205TF4	3/4" FIP	12	72
AZ205TM3	1/2" MIP	12	72
AZ205TM4	3/4" MIP	12	72



AZ206/VB Aztec Sillcock With Vacuum Breaker - Brass - Graphite Packing

- Lead Free Version Available
- 3/4" Hose Outlet
- 125 PSI

Model Number	Carton Quantities		
	INLET	INNER	MASTER
AZ206T03/VB	1/2" FIP	12	72
AZ206T04/VB	3/4" FIP	12	72



AZ206PXLF Lead Free Aztec PEX Sillcock - Brass - Heavy Duty - Large Flange

- 125 PSI
- 3/4" Hose Outlet

Model Number	Carton Quantities		
	INLET	INNER	MASTER
AZ206PX03FLF	1/2" PEX F1807 x 3/4" MIP	4	60



AZ206PXCELF Lead Free Aztec Cold Expansion PEX Sillcock - Brass - Heavy Duty - Large Flange

- 125 PSI
- 3/4" Hose Outlet

Model Number	Carton Quantities		
	INLET	INNER	MASTER
AZ206PXCE03FLF	1/2" Cold Expansion F1960 PEX x 3/4" MIP	4	60




SILCOCKS | Aztec Low Pressure Valves



Aztec Hose Bibb With Tee Handle - Graphite Packing **AZ646R**

- Lead Free Version Available
- 3/4" Hose Outlet
- 125 PSI

Model Number	Carton Quantities		
	INLET	INNER	MASTER
AZ646R03	1/2" MIP	12	72
AZ646R04	3/4" MIP	12	72



Aztec Loose Key Valve - No Kink - Brass - Graphite Packing **AZ207**


- Lead Free Version Available
- 3/4" Hose Outlet
- 125 PSI

Model Number	Carton Quantities		
	INLET	INNER	MASTER
AZ207TF3LK	1/2" FIP	12	72
AZ207TF4LK	3/4" FIP	12	72
AZ207TM3LK	1/2" MIP	12	72
AZ207TM4LK	3/4" MIP	12	72

Aztec No Kink Hose Bibb - Brass - Graphite Packing **AZ207**

- Lead Free Version Available
- 3/4" Hose Outlet
- 125 PSI


Model Number	Carton Quantities		
	INLET	INNER	MASTER
AZ207C04	3/4" Copper Fitting and 1/2" Copper Sweat	12	72
AZ207TF3	1/2" FIP	12	72
AZ207TF4	3/4" FIP	12	72
AZ207TM3	1/2" MIP	12	72
AZ207TM4	3/4" MIP	12	72
AZ207TR3	1/2" CTS Compression With Nut & Ferrule	12	72



Lead Free Aztec Frost Free Silcock - Anti-Siphon - With Self Draining Vacuum Breaker - Brass - Graphite Packing **AZ212LF**

- Max. Temperature 160 °F
- Max. Pressure 125 °F


Model Number	LENGTH	Carton Quantities	
		INNER	MASTER
AZ212004LF	4"	1	24
AZ212006LF	6"	1	24
AZ212008LF	8"	1	24
AZ212010LF	10"	1	24
AZ212012LF	12"	1	24



Lead Free Aztec PEX Frost Free Silcock - Anti-Siphon - With Self Draining Vacuum Breaker - Brass - Graphite Packing **AZ212PXLF**

- Max. Temperature 160 °F
- Max. Pressure 125 °F


Model Number	LENGTH	Carton Quantities	
		INNER	MASTER
AZ212004PXLF	4"	1	24
AZ212006PXLF	6"	1	24
AZ212008PXLF	8"	1	24
AZ212010PXLF	10"	1	24
AZ212012PXLF	12"	1	24



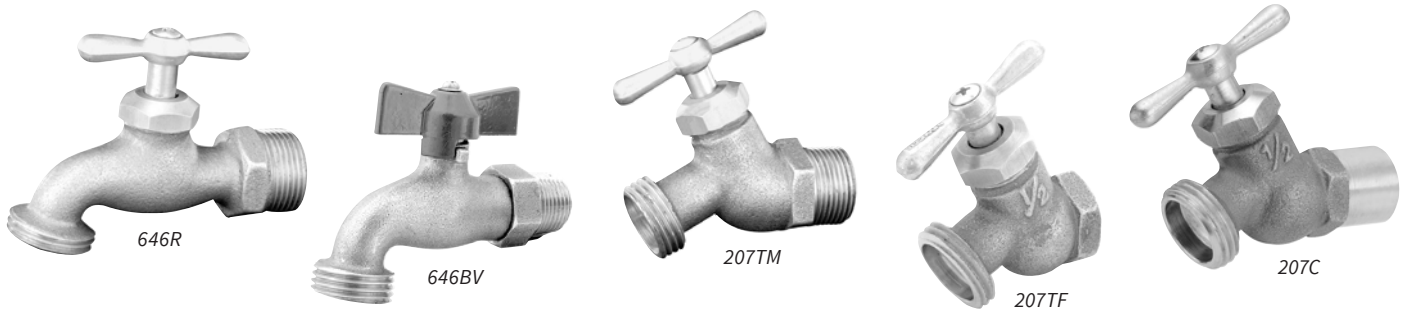
Lead Free Aztec Cold Expansion PEX Frost Free Silcock - Anti-Siphon - With Self Draining Vacuum Breaker - Brass - Graphite Packing **AZ212PXCEL**

- Max. Temperature 160 °F
- Max. Pressure 125 °F

Model Number	LENGTH	Carton Quantities	
		INNER	MASTER
AZ212004PXCEL	4"	1	24
AZ212006PXCEL	6"	1	24
AZ212008PXCEL	8"	1	24
AZ212010PXCEL	10"	1	24
AZ212012PXCEL	12"	1	24




Hose Bibbs | BALL VALVE



Hose Bibbs / BALL VALVE HOSE BIBBS

646R Hose Bibb - Male - Cast Brass - 3/4" Hose Outlet			
• Lead Free Version Available		• 125 PSI	
Model Number	Carton Quantities		
	INLET	INNER	MASTER
646R03	1/2" MIP & 1/2" SWT x 3/4" Hose	12	72
646R04	3/4" MIP x 3/4" Hose	12	72
646R05	1" MIP x 1" Hose	12	48
P646R03H	Replacement Handle for 1/2" & 3/4"	1	100

646BV Ball Valve Hose Bibb - Forged Brass - 1/4 Turn - 3/4" Hose Outlet				
• Lead Free Version Available		• 125 PSI		
Model Number	Carton Quantities			
	MIP	INLET	INNER	MASTER
646BV03	1/2" MIP & 1/2" SWT	12	24	
646BV04	3/4" MIP	12	24	
P646BVC43H	Replacement Handles	1	1000	

207 No Kink Hose Bibb - Brass - 3/4" Hose Outlet				
• Lead Free Version Available		• 125 PSI		
Model Number	Carton Quantities			
	MIP	INLET	INNER	MASTER
207TM3	1/2"	12	72	
207TM4	3/4"	12	72	
FIP				
207TF3	1/2"	12	72	
207TF4	3/4"	12	72	
SWEAT				
207C04	1/2" Sweat & 3/4" Copper Fitting	12	72	



Plumbing Specialty Brass Hose Bibbs



Hose Bibb - Brass - Tee Handles

FY

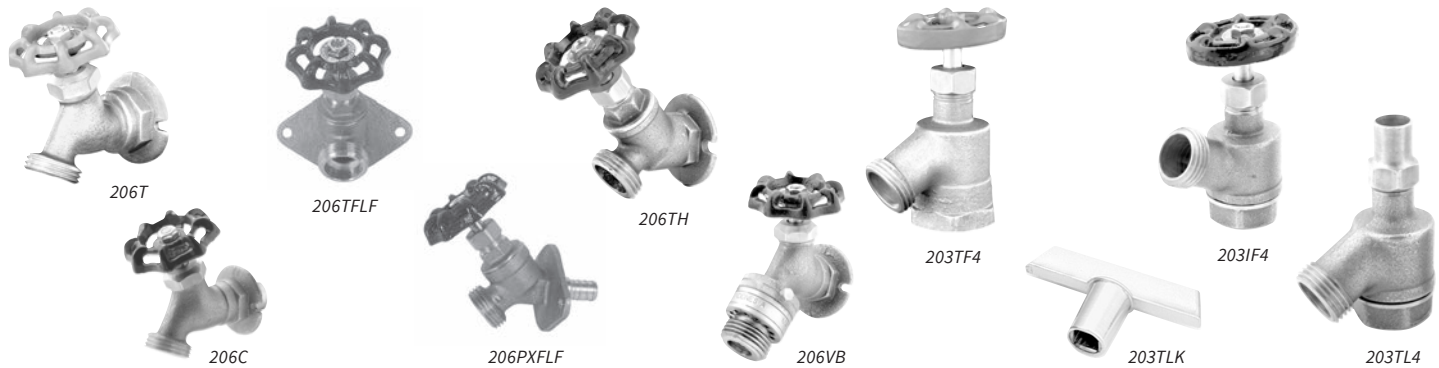
- Lead Free Version Available
- 125 PSI

Model Number	Carton Quantities	
	INNER	MASTER
	INLET	
FY-675	12	72
	Chrome Plated Hose Bibb Plain End Outlet 1/2" FIP Inlet - Flanged	
FY-680	12	72
	Chrome Plated Hose Bibb 3/4" Hose End Outlet 1/2" FIP Inlet - Flanged	
FY-681	12	72
	Chrome Plated Hose Bibb Plain End Outlet 1/2" MIP Inlet - Adj. Flange	
FY-682	12	72
	Chrome Plated Hose Bibb 3/4" Hose End Outlet 1/2" MIP Inlet - Adj. Flange	
FY-685*	12	72
	Chrome Plated Hose Bibb 3/4" Hose End Outlet 1/2" FIP Inlet	
FY-690	12	72
	Chrome Plated Hose Bibb 3/4" Hose End Outlet 1/2" MIP Inlet	
FY-691	12	72
	Chrome Plated Hose Bibb Plain End Outlet 1/2" MIP Inlet	
FY-691PB*	12	72
	Polished Brass Hose Bibb (not shown) Plain End Outlet 1/2" MIP Inlet	
FY-692	12	72
	Rough Brass Hose Bibb Plain End Outlet 1/2" MIP Inlet	
FY-693LF	12	72
	Chrome Plated Hose Bibb Plain End Outlet 3/4" MIP Inlet	
FY-694LF	12	72
	Rough Brass Hose Bibb Plain End Outlet 3/4" MIP Inlet	
FY-695	12	144
	Chrome Plated Hose Bibb 3/4" Hose End Outlet 3/4" MIP Inlet	

* Only Available in Standard



Brass Sillcocks / Garden Valves



Brass Sillcocks / Garden Valves

206		Sillcock - 3/4" Hose Outlet - Brass Body		
• Lead Free Version Available		• 125 PSI		
Model Number		Carton Quantities		
FIP	SWEAT	INLET	INNER	MASTER
206T03	206C03	1/2"	12	72
206T04	206C04	3/4"	12	72

206H		Sillcock - Heavy Pattern - 3/4" Hose Outlet - Brass Body - With Stuffing Box		
• Lead Free Version Available		• 125 PSI		
Model Number		Carton Quantities		
FIP	INLET	INNER	MASTER	
206T03H	1/2" FIP	12	72	
206T04H	3/4" FIP	12	72	



206FLF		Lead Free Sillcock - 3/4" Hose Outlet - Brass Body - Large Flange		
• Lead Free Version Available		• 125 PSI		
Model Number		Carton Quantities		
FIP	SWEAT	INLET	INNER	MASTER
206T03FLF	206C03FLF	1/2"	4	40
PEX	COLD EXPANSION			
206PX03FLF	206PXCE03FLF	1/2"	6	60

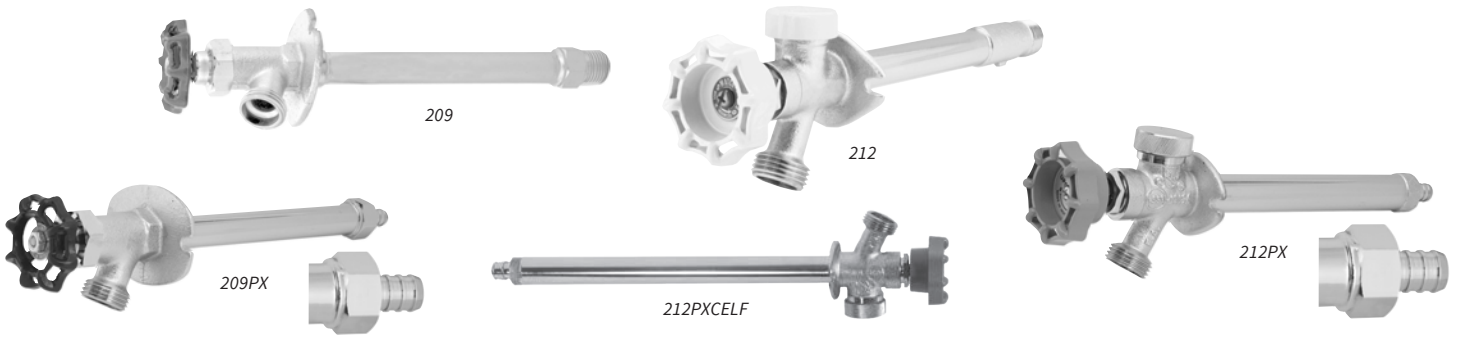
206VB		Sillcock - With ASSE 1011 Vacuum Breaker - 3/4" Hose Outlet		
• Lead Free Version Available		• 125 PSI		
Model Number		Carton Quantities		
FIP	INLET	INNER	MASTER	
206T03VB	1/2" FIP	12	72	

203		Garden Valve - Bent Nose - Female - 3/4" Hose Outlet		
• Lead Free Version Available		• 125 PSI		
Model Number		Carton Quantities		
BENT NOSE	INLET	INNER	MASTER	
203TF3	1/2" FIP	12	72	
203TF4	3/4" FIP	12	72	
203TF5	1" FIP	12	72	
INVERTED NOSE				
203IF4	3/4" FIP	12	72	
LOOSE KEY				
203TL3	1/2"	12	72	
203TL4	3/4"	12	72	
203TL5	1"	12	72	
KEY ONLY				
203TLK		1	200	



Join Our Email List





Frost Free Sillcock - 3/4" Hose Outlet				209	
• 125 PSI					
Model Number		Carton Quantities			
Lead Free Version Available 1/2" MIP & 1/2" SWT INLET	ONLY AVAILABLE IN STANDARD	LENGTH	INNER	MASTER	
209004		4"	1	24	
209006		6"	1	24	
209008		8"	1	24	
209010		10"	1	24	
209012		12"	1	24	
209014		14"	1	24	
WITH LOOSE KEY					
209008LK		8"	1	24	
209010LK		10"	1	24	
209012LK		12"	1	24	
Lead Free Version Available 3/4" MIP & 1/2" FIP INLET	ONLY AVAILABLE IN STANDARD	LENGTH	INNER	MASTER	
209404		4"	1	24	
209406		6"	1	24	
209408		8"	1	24	
209410		10"	1	24	
209412		12"	1	24	
209414		14"	1	24	

Frost Free Sillcock - Pex - 3/4" Hose Outlet				209PX	
• 125 PSI					
Model Number		Carton Quantities			
1/2" PEX INLET	SIZE	INNER	MASTER		
209004PX	4"	1	24		
209006PX	6"	1	24		
209008PX	8"	1	24		
209010PX	10"	1	24		
209012PX	14"	1	24		

Frost Free Sillcock - Anti Syphon - 3/4" Hose Outlet				212	
• 125 PSI • Lead Free Version Available					
Model Number		Carton Quantities			
1/2" MIP & 1/2" SWT INLET	LENGTH	INNER	MASTER		
212004	4"	1	24		
212006	6"	1	24		
212008	8"	1	24		
212010	10"	1	24		
212012	12"	1	24		
212014	14"	1	24		
212KIT - Vacuum Breaker Kit Available.					

Frost Free Sillcock - Pex - Anti Syphon - 3/4" Hose Outlet				212PX	
• 125 PSI • Lead Free Version Available					
Model Number		Carton Quantities			
1/2" PEX INLET	LENGTH	INNER	MASTER		
212004PX	4"	1	24		
212006PX	6"	1	24		
212008PX	8"	1	24		
212010PX	10"	1	24		
212012PX	12"	1	24		
212014PX	14"	1	24		

Frost Free Sillcock - Cold Expansion Pex - Anti Syphon - 3/4" Hose Outlet				212PXCSELF	
• 125 PSI Non-shock					
Model Number		Carton Quantities			
1/2" PEX F1960 INLET	LENGTH	INNER	MASTER		
212004PXCSELF	4"	1	24		
212006PXCSELF	6"	1	24		
212008PXCSELF	8"	1	24		
212010PXCSELF	10"	1	24		
212012PXCSELF	12"	1	24		
212014PXCSELF	14"	1	24		



Steam Radiator Angle & Gate Valves / Slip Nuts



BARVY



BARVYN



BARV



NT



SGV



BSGV

Steam Radiator Angle & Gate Valves / Slip Nuts

BARVY		Steam Radiator Angle Valve - Brass - Heavy Pattern	
• 15 SWP		• 60 WOG	
Model Number		Carton Quantities	
		INNER	MASTER
BARVY-0500	1/2" FIP With Nut & Tailpiece	10	60
BARVY-0750	3/4" FIP With Nut & Tailpiece	6	48
BARVY-1000	1" FIP With Nut & Tailpiece	4	36
BARVY-1250	1-1/4" FIP With Nut & Tailpiece	2	24
BARVY-1500	1-1/2" FIP With Nut & Tailpiece	2	16

BARVYN		Steam Radiator Angle Valve - Brass	
• 15 SWP		• 60 WOG	
Model Number		Carton Quantities	
		INNER	MASTER
BARVY-1001N	1-1/2" FIP With Nut & Tailpiece	4	36
BARVY-1251N	1-1/4" FIP With Nut & Tailpiece	4	24

NT		Slip Nuts - Chrome	
Model Number		Carton Quantities	
		INNER	MASTER
NT-100	1" Nut & Tail Piece For BARVY-1000 & BARV-1000	10	36
NT-125	1-1/4" Nut & Tail Piece For BARVY-1250 & BARV-1250	4	24

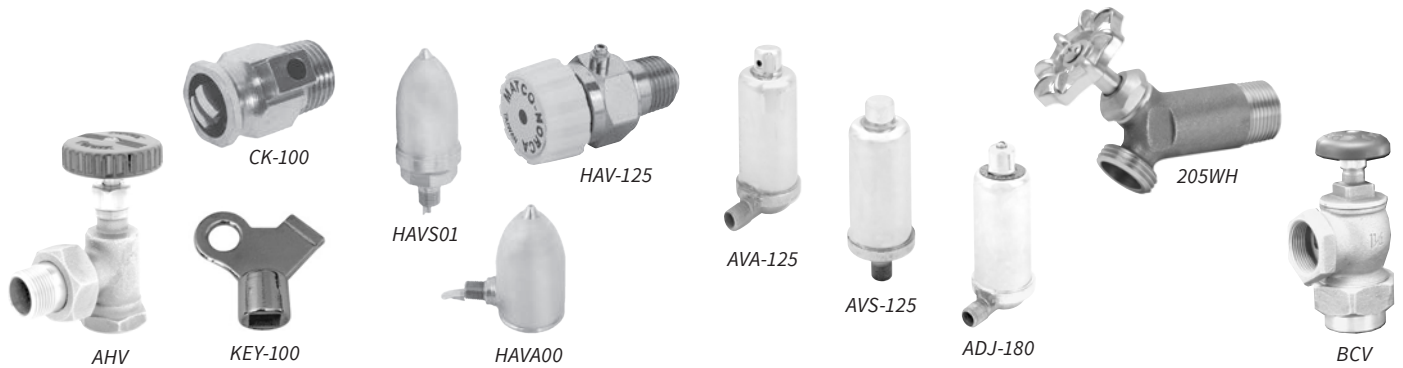
BARV		Steam Radiator Angle Valve - Bronze - Heavy Pattern	
• 15 SWP		• 60 WOG	
Model Number		Carton Quantities	
		INNER	MASTER
BARV-0500	1/2" FIP With Nut & Tailpiece	10	60
BARV-0750	3/4" FIP With Nut & Tailpiece	6	48
BARV-1000	1" FIP With Nut & Tailpiece	4	36
BARV-1250	1-1/4" FIP With Nut & Tailpiece	2	24
BARV-1500	1-1/2" FIP With Nut & Tailpiece	2	18
BARV-2000	2" FIP With Nut & Tailpiece	1	8

SGV		Steam Radiator Gate Valve - Brass	
• 125 SWP		• 600 WOG	
Model Number		Carton Quantities	
		INNER	MASTER
SGV-1001	1" FIP With Nut & Tailpiece	4	36
SGV-1251	1-1/4" FIP With Nut & Tailpiece	4	24

BSGV		Steam Radiator Gate Valve - Bronze - Heavy Pattern	
• 125 SWP		• 600 WOG	
Model Number		Carton Quantities	
		INNER	MASTER
BSGV-0750	3/4" FIP With Nut & Tailpiece	6	48
BSGV-1000	1" FIP With Nut & Tailpiece	4	36
BSGV-1250	1-1/4" FIP With Nut & Tailpiece	4	24
BSGV-1500	1-1/2" FIP With Nut & Tailpiece	4	24



Radiator Valve & Air Valves / Drain Valve, Convector Valve



Angle Hot Water Radiator Valve - Brass			AHV	
• 60 PSI Non-Shock Hot Water • 15 PSI Steam				
Model Number	SIZE	Carton Quantities		
		INNER	MASTER	
AHV-0500	1/2" FIP With Nut & Tailpiece	1	60	
AHV-0750	3/4" FIP With Nut & Tailpiece	1	60	
AHV-1000	1" FIP With Nut & Tailpiece	4	36	
AHV-1250	1-1/4" FIP With Nut & Tailpiece	2	24	
AHV-0500C	1/2" SWT With Nut & Tailpiece	1	60	
AHV-0750C	3/4" SWT With Nut & Tailpiece	1	60	

Steam Air Vents - Chrome Plated			HAV	
Model Number	SIZE	Carton Quantities		
		INNER	MASTER	
HAV-125	1/8" Auto Vent HW & Steam	50	500	
HAVA00	1/8" Angle	12	72	
HAVADJ00	1/8" Adjustable Angle	12	72	
HAVS00	1/8" Straight	12	72	
HAVS01	1/4" Straight	12	72	
HAVS0403	3/4" x 1/2" Straight	12	72	

Water Heater Drain Valve - Brass - Heavy Pattern			205WH	
• Lead Free Version Available				
Model Number	SIZE	Carton Quantities		
		INNER	MASTER	
205WH4	3/4" x 2-1/4" Long 3/4" MIP & 1/2" FIP Inlet	50	500	

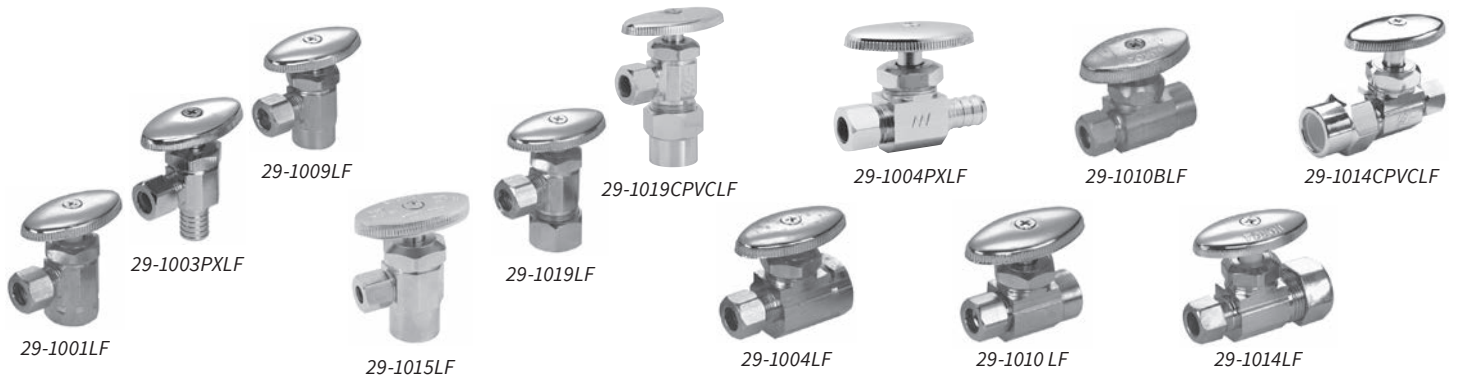
Coin Key Air Valve			CK/KEY	
Model Number	SIZE	Carton Quantities		
		INNER	MASTER	
CK-100	1/8" Coin Key Air Valve Nickle Plated	100	1000	
CKU-102	1/8" Key Air Valve	100	1000	
KEY-100	1/8" Key For Air Valve	100	2000	

Chrome Plated Steam Air Valves			AVA/AVS/ADJ	
• 10 PSI				
Model Number	SIZE	Carton Quantities		
		INNER	MASTER	
AVA-125	1/8" Angle - MIP	12	144	
AVS-125	1/8" Straight - MIP	1	144	
AVS-250	1/4" Straight - MIP	1	144	
AVS-750	3/4" MIP & 1/2 FIP Straight	1	144	
ADJ-180	1/8" Angle MIP Adjustable	12	144	

Convector Valve - Bronze			BCV	
• 15 SWP • 60 WOG				
Model Number	SIZE	Carton Quantities		
		INNER	MASTER	
BCV-1000	1" FIP With FIP Union	2	24	
BCV-1250	1-1/4" FIP With FIP Union	2	20	



Multi-Turn Supply Valves



Multi-Turn Supply Valves

29LF		Lead Free Supply Valves - Oval Handle With Compression Outlet - Angle	
• 125 PSI			
Model Number	SIZE	Carton Quantities	
		INNER	MASTER
29-1001LF	CP 3/8" FIP x 3/8" OD Compression	10	200
29-1003LF	CP 1/2" FIP x 3/8" OD Compression	10	200
29-1003PXLF	CP 1/2" PEX x 3/8" OD Compression	10	200
29-1003BLF	Unplated 1/2" FIP x 3/8" OD Compression	10	200
29-1009LF	CP 1/2" SWT x 3/8" OD Compression	10	200
29-1009BLF	Unplated 1/2" SWT x 3/8" OD Compression	10	200
29-1015LF	CP 1/2" C x 1/4" OD Compression	10	200
29-1015BLF	Unplated 1/2" C x 1/4" OD Compression	10	200
29-1019LF	CP 5/8" OD Compression x 3/8" OD Compression	10	200
29-1019BLF	Unplated 5/8" OD Compression x 3/8" OD Compression	10	200
29-1019CPVCLF	CP 5/8" OD CPVC x 3/8" OD	10	200





29LF		Lead Free Supply Valves - Oval Handle With Compression Outlet - Straight	
• 125 PSI			
Model Number	SIZE	Carton Quantities	
		INNER	MASTER
29-1002LF	CP 3/8" FIP x 3/8" OD Compression	10	200
29-1004LF	CP 1/2" FIP x 3/8" OD Compression	10	200
29-1004PXLF	CP 1/2" PEX x 3/8" OD Compression	10	200
29-1010LF	CP 1/2" SWT x 3/8" OD Compression	10	200
29-1010BLF	Unplated 1/2" SWT x 3/8" OD Compression	10	200
29-1014LF	CP 5/8" OD Compression x 3/8" OD Compression	10	200
29-1014CPVCLF	CP 5/8" OD CPVC x 3/8" OD Straight Stop	10	200
29-1575LF	CP 5/8" OD Compression x 5/8" OD Compression	10	200





Multi-Turn Supply Valves





Lead Free Supply Valves - Oval Handle With Compression Outlet			
• 125 PSI			
Model Number	SIZE	Carton Quantities	
	<i>With 5" Extension and Bell Escutcheon</i>	INNER	MASTER
29-1040LF	CP 1/2" SWT x 3/8" OD Compression - Angle	10	100
29-1041LF	CP 1/2" SWT x 3/8" OD Compression - Straight	10	100

Lead Free Supply Valves - Loose Key With Compression Outlet - Angle			
• 125 PSI			
Model Number	SIZE	Carton Quantities	
		INNER	MASTER
29-1001LKLF	CP 3/8" FIP x 3/8" OD Compression	10	200
29-1003LKLF	CP 1/2" FIP x 3/8" OD Compression	10	200
29-1009LKLF	CP 1/2" C x 3/8" OD Compression	10	200

Lead Free Supply Valves - Oval Handle With Dual Compression Outlet - Angle			
• 60 PSI Non-Shock Hot Water • 15 PSI Steam			
Model Number	SIZE	Carton Quantities	
		INNER	MASTER
29-2001LF	CP 5/8" OD x 3/8" OD x 3/8" OD	10	200
29-2001BLF	Unplated 5/8" OD x 3/8" OD x 3/8" OD	10	200
29-2001PXLF	CP 1/2" PEX x 3/8" OD Compression x 3/8" OD Compression	10	200
29-2003LF	CP 1/2" FIP x 3/8" OD x 3/8" OD Compression	10	200
29-2003BLF	Unplated 1/2" FIP x 3/8" OD x 3/8" OD Compression	10	200








Quarter Turn Supply Valves



Quarter Turn Supply Valves

26LF		Lead Free Supply Valves - With Compression Outlet - Angle	
• 125 PSI			
Model Number	SIZE	Carton Quantities	
		INNER	MASTER
26-1001LF	CP 3/8" FIP x 3/8" OD Compression	10	200
26-1003LF	CP 1/2" FIP x 3/8" OD Compression	10	200
26-1003PXLF	CP 1/2" PEX x 3/8" OD Compression	10	200
26-1009LF	CP 1/2" Sweat x 3/8" OD Compression	10	200
26-1009BLF	Unplated 1/2" Sweat x 3/8" OD Compression	10	200
26-1015PXLF	CP 1/2" PEX x 1/4" OD Compression	10	200
26-1019LF	CP 5/8" OD Compression x 3/8" OD Compression	10	200
26-1019BLF	Unplated 5/8" OD Compression x 3/8" OD Compression	10	200
26-1019CPVCLF	CP 5/8" OD CPVC Compression x 3/8" OD Compression	10	200
26-1023LF	CP 5/8" OD x 1/2" OD Compression	10	200
			

26LF		Lead Free Supply Valves - With Compression Outlet - Straight	
• 125 PSI			
Model Number	SIZE	Carton Quantities	
		INNER	MASTER
26-1002LF	CP 3/8" FIP x 3/8" OD Compression	10	200
26-1004LF	CP 1/2" FIP x 3/8" OD Compression	10	200
26-1004PXLF	CP 1/2" PEX x 3/8" OD Compression	10	200
26-1010LF	CP 1/2" Sweat x 3/8" OD Compression	10	200
26-1010BLF	Unplated 1/2" Sweat x 3/8" OD Compression	10	200
26-1012PXLF	CP 1/2" PEX x 1/2" PEX	10	200
26-1014LF	CP 5/8" OD Compression x 3/8" OD Compression	10	200
26-1014PVCLF	CP 5/8" OD CPVC Compression x 3/8" OD Compression	10	200
26-1016PXLF	CP 1/2" PEX x 1/4" OD Compression	10	200
			



Quarter Turn Supply Valves



26-1003PXCELf



26-1004PXCELf



26-1003PLF



26-1004PLF



26-1040LF



26-1041LF



26-2001LF



26-2021BLF

Lead Free Supply Valves - With Compression Outlet - F1960			26LF	
• 125 PSI				
Model Number	SIZE	Carton Quantities		
		INNER	MASTER	
26-1003PXCELf	CP 1/2" CE PEX x 3/8" OD Compression - Angle	10	200	
26-1015PXCELf	CP 1/2" CE PEX x 1/4" OD Compression - Angle	10	200	
26-1004PXCELf	CP 1/2" CE PEX x 3/8" OD Compression - Straight	10	200	
26-1016PXCELf	CP 1/2" CE PEX x 1/4" OD Compression - Straight	10	200	



Lead Free Supply Valves - With Compression Outlet - Angle			26LF	
• 125 PSI				
Model Number	SIZE	Carton Quantities		
		INNER	MASTER	
26-2001LF	CP 5/8" OD Compression x 3/8" OD Compression	10	200	
26-2001BLF	Unplated 5/8" OD Compression x 3/8" OD Compression	10	200	
26-2009PLF	CP 1/2" Press x 3/8" OD Compression x 3/8" OD Compression	10	100	
26-2009BLF	Unplated 1/2" C x 3/8" OD x 3/8" OD Compression	10	200	
26-2021PLF	CP 1/2" Press x 3/8" OD Compression x 1/4" OD Compression	10	200	
26-2021BLF	Unplated 5/8" OD x 3/8" OD x 1/4" OD Compression	10	200	



Lead Free Supply Valves - With Compression Outlet - Press			26LF	
• 125 PSI				
Model Number	SIZE	Carton Quantities		
		INNER	MASTER	
26-1003PLF	CP 1/2" Press x 3/8" OD Compression - Angle	24	96	
26-1015PLF	CP 1/2" Press x 1/4" OD Compression - Angle	24	96	
26-1004PLF	CP 1/2" Press x 3/8" OD Compression - Straight	24	96	
26-1016PLF	CP 1/2" Press x 1/4" OD Compression - Straight	24	96	

Lead Free Supply Valves - With Compression Outlet			26LF	
• 125 PSI				
Model Number	SIZE <i>With 5" Extension and Bell Escutcheon</i>	Carton Quantities		
		INNER	MASTER	
26-1041LF	CP 1/2" Sweat x 3/8" OD Compression - Angle	10	200	
26-1040LF	CP 1/2" Sweat x 3/8" OD Compression - Straight	10	200	

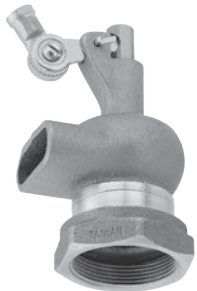


Lead Free Supply Valves - With Compression Outlet - Straight			26LF	
• 125 PSI				
Model Number	SIZE	Carton Quantities		
		INNER	MASTER	
26-2000LF	CP Retro-Fit 3/8" OD Captured Nut x 3/8" OD Compression	10	200	



Miscellaneous

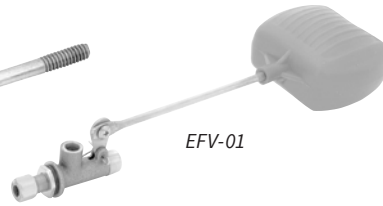
Float Valve, Float Rod, Evaporator Cooler Float Valve, Meter Valve



FV



FR12



EFV-01



434-0404LF



434-0404DLF

MISCELLANEOUS

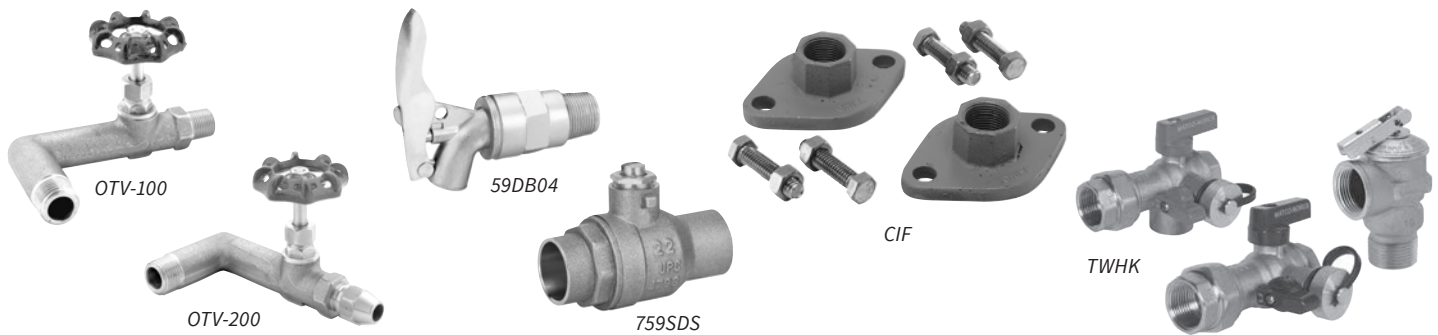
FV		Float Valve - Bronze			
Model Number		Carton Quantities			
STRAIGHT THREAD MALE INLET - PLAIN OUTLET	ROD SIZE	INNER	MASTER		
FV-303P	1/2"	1/4" x 20"	12	72	
FV-404P	3/4"	1/4" x 20"	6	36	
STRAIGHT THREAD MALE INLET - STRAIGHT THREAD MALE OUTLET					
FV-303	1/2"	1/4" x 20"	1	72	
FV-404	3/4"	1/4" x 20"	6	48	
FEMALE INLET - PLAIN OUTLET					
FV-505	1"	5/16" x 18"	4	36	
FV-606	1-1/4"	3/8" x 16"	2	20	
FV-707	1-1/2"	3/8" x 16"	2	16	
FV-808	2"	3/8" x 16"	2	12	

EFV		Evaporator Cooler Float Valve			
Model Number		Carton Quantities			
		INNER	MASTER		
EFV-01	1/4" Compression Inlet x 1/4" FIP Outlet	20	80		

FR		Float Rod - Brass			
Model Number		Carton Quantities			
	LENGTH	THREAD PATTERN	INNER	MASTER	
FR12-1	12"	1/4" - 20	5	500	
FR12-15	12"	5/16" - 18	5	250	
FR12-2	12"	3/8" - 16	1	2000	

434LF		Lead Free Meter Valve - Brass			
Model Number		Carton Quantities			
ANGLE VALVE - FLARE x IPS		INNER	MASTER		
434-0403LF	3/4" FL x 1/2" IPS	12	72		
434-0404LF	3/4" FL x 3/4" IPS	6	36		
434-0504LF	1" FL x 3/4" IPS	2	20		
ANGLE VALVE WITH DRAIN - FLARE x IPS		INNER	MASTER		
434-0404DLF	3/4" FL x 3/4" IPS	2	16		
434-0505DLF	1" FL x 1" IPS	2	12		





Oil Tank Valve - Brass - Hard Seat			OTV	
• 125 PSI				
Model Number	Carton Quantities			
SIZE	INNER	MASTER		
OTV-100	1/2" MIP x 3/8" MIP	6	72	
OTV-200	1/2" MIP x 3/8" FL	1	72	

Oil Barrel Faucet - Locking Lever			59	
Model Number	Carton Quantities			
SIZE	INNER	MASTER		
59DB04	3/4" MIP x Plain Spout - Zamac	10	100	

Ball Style Balancing Valve			759SDS	
• Lead Free Version Available • 600 WOG				
Model Number	Carton Quantities			
SIZE	INNER	MASTER		
759C04SDS	3/4" C x C With Screwdriver Stop	10	60	

Circulator Flange Kits - Cast Iron - With Bolts & Nuts			CIF	
• Complete with 2 Flanges, 4 Bolts, 4 Nuts				
Model Number	Carton Quantities			
SIZE	INNER	MASTER		
CIF04	3/4"	1	30	
CIF05	1"	1	30	
CIF06	1-1/4"	1	30	

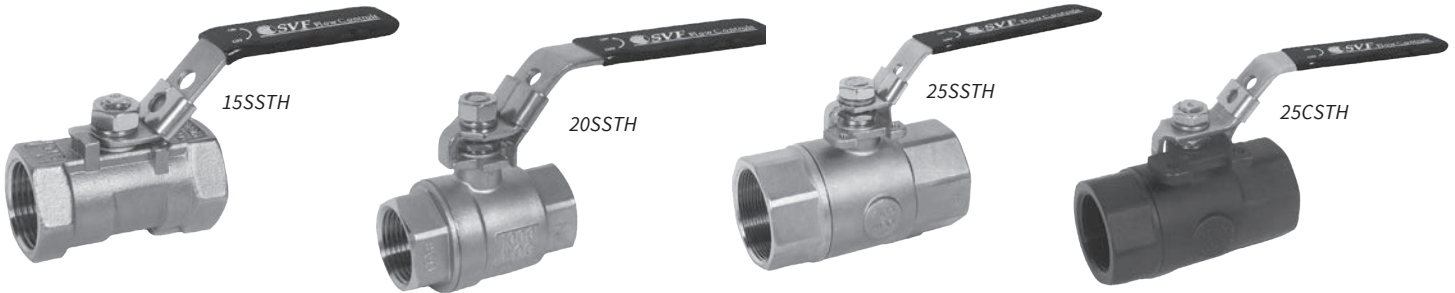
Tankless Water Heater Isolation Valve Kit			TWHK	
• 600# Rating (Non Shock) • Full Port, 1/4 Turn Design				
• Includes Pressure Relief Valve, One Cold Coded Valve, and One Hot Coded Valve				
Model Number	Carton Quantities			
SIZE	INNER	MASTER		
TWHK04T	3/4" IPS Ball Valve With Union Connection	1	16	
TWHK04P	3/4" IPS x Press	1	16	
TWHK04PX	3/4" IPS x PEX F1807	1	16	
TWHK04PXCE	3/4" IPS x Cold Expansion F1960 PEX	1	16	



MISCELLANEOUS



One & Two Piece Threaded Ball Valves



One & Two Piece Threaded Ball Valves

15SSTH		One Piece Reduced Port 316 Stainless Steel Ball Valves - NPT	
<ul style="list-style-type: none"> • W.P. 1000 WOG • Blow Out Proof Stem 		<ul style="list-style-type: none"> • W.T. 4 °F - 392 °F • Locking Handle 	
Model Number	SIZE	Carton Quantities	
		INNER	MASTER
15SSTH01	1/4"	20	160
15SSTH02	3/8"	20	160
15SSTH03	1/2"	20	160
15SSTH04	3/4"	10	80
15SSTH05	1"	7	56
15SSTH06	1-1/4"	4	32
15SSTH07	1-1/2"	2	16
15SSTH08	2"	2	16

20SSTH		Two Piece Full Port 316 Stainless Steel Ball Valves - NPT	
<ul style="list-style-type: none"> • W.P. 1000 WOG • Blow Out Proof Stem 		<ul style="list-style-type: none"> • W.T. 4 °F - 392 °F • Locking Handle 	
Model Number	SIZE	Carton Quantities	
		INNER	MASTER
20SSTH01M	1/4"	20	80
20SSTH02M	3/8"	20	80
20SSTH03M	1/2"	18	72
20SSTH04M	3/4"	12	48
20SSTH05M	1"	10	40
20SSTH06M	1-1/4"	6	24
20SSTH07M	1-1/2"	4	16
20SSTH08M	2"	3	12
20SSTH09M	2-1/2"	1	4
20SSTH10M	3"	1	1

25SSTH		Two Piece Reduced Port 316 Stainless Steel Ball Valves - NPT	
<ul style="list-style-type: none"> • W.P. 1/4" - 1" 2000 WOG • W.P. 1-1/4" - 2" 1500 WOG • Blow Out Proof Stem 		<ul style="list-style-type: none"> • W.T. 4 °F - 392 °F • Locking Handle 	
Model Number	SIZE	Carton Quantities	
		INNER	MASTER
25SSTH01M	1/4"	20	80
25SSTH02M	3/8"	20	80
25SSTH03M	1/2"	20	80
25SSTH04M	3/4"	12	48
25SSTH05M	1"	10	40
25SSTH06M	1-1/4"	5	20
25SSTH07M	1-1/2"	4	16
25SSTH08M	2"	2	8

25CSTH		Two Piece Full Port 316 Stainless Steel Ball Valves - NPT	
<ul style="list-style-type: none"> • W.P. 1/4" - 1" 2000 WOG • W.P. 1-1/4" - 2" 2000 WOG • Blow Out Proof Stem 		<ul style="list-style-type: none"> • W.T. 4 °F - 392 °F • Locking Handle 	
Model Number	SIZE	Carton Quantities	
		INNER	MASTER
25CSTH01M	1/4"	20	80
25CSTH02M	3/8"	20	80
25CSTH03M	1/2"	20	80
25CSTH04M	3/4"	12	48
25CSTH05M	1"	10	40
25CSTH06M	1-1/4"	5	20
25CSTH07M	1-1/2"	4	16
25CSTH08M	2"	2	8

26SSTHM		Two Piece Full Port 316 Stainless Steel Ball Valves - NPT	
<ul style="list-style-type: none"> • W.P. 2000 WOG • Blow Out Proof Stem 		<ul style="list-style-type: none"> • Vinyl Grip Handle 	
Model Number	SIZE	Carton Quantities	
		INNER	MASTER
26SSTH01M	1/4"	25	125
26SSTH02M	3/8"	25	125
26SSTH03M	1/2"	25	125
26SSTH04M	3/4"	15	60
26SSTH05M	1"	8	32
26SSTH06M	1-1/4"	5	20
26SSTH07M	1-1/2"	3	15
26SSTH08M	2"	2	8

26CSTHM		Two Piece Full Port 316 Stainless Steel Ball Valves - NPT	
<ul style="list-style-type: none"> • W.P. 2000 WOG • Blow Out Proof Stem 		<ul style="list-style-type: none"> • Vinyl Grip Handle 	
Model Number	SIZE	Carton Quantities	
		INNER	MASTER
26CSTH01M	1/4"	25	125
26CSTH02M	3/8"	25	125
26CSTH03M	1/2"	25	125
26CSTH04M	3/4"	15	60
26CSTH05M	1"	10	32
26CSTH06M	1-1/4"	8	20
26CSTH07M	1-1/2"	3	15
26CSTH08M	2"	2	8



Two & Three Piece Ball Valves



759LH



30CSTH



30CSSW

Two Piece Full Port Forged Brass Ball Valves - NPT

759LH

- W.P. 600 WOG
- Blow Out Proof Stem
- Locking Handle

Model Number	SIZE	Carton Quantities	
		INNER	MASTER
759T01LHLF	1/4"	15	120
759T02LHLF	3/8"	15	120
759T03LHLF	1/2"	15	120
759T04LHLF	3/4"	10	60
759T05LHLF	1"	8	48
759T06LHLF	1-1/4"	4	24
759T07LHLF	1-1/2"	2	24
759T08LHLF	2"	2	12
759T09LHLF	2-1/2"	2	6
759T10LHLF	3"	2	4
759T11LHLF	4"	1	2

Three Piece Full Port Carbon Brass Ball Valves - NPT

30CSTH

- W.P. 1000 WOG
- Blow Out Proof Stem
- W.T. 4° F - 392° F
- Locking Handle

Model Number	SIZE	Carton Quantities	
		INNER	MASTER
30CSTH01	1/4"	15	40
30CSTH02	3/8"	15	40
30CSTH03	1/2"	15	32
30CSTH04	3/4"	10	60
30CSTH05	1"	8	48
30CSTH06	1-1/4"	4	24
30CSTH07	1-1/2"	2	24
30CSTH08	2"	2	12
30CSTH09	2-1/2"	2	6
30CSTH10	3"	2	4
30CSTH11	4"	1	2

Three Piece Full Port Carbon Steel Ball Valves - SW

30CSSW

- W.P. 1000 WOG
- Blow Out Proof Stem
- W.T. 4° F - 392° F
- Locking Handle

Model Number	SIZE	Carton Quantities	
		INNER	MASTER
30CSSW01	1/4"	10	40
30CSSW02	3/8"	10	40
30CSSW03	1/2"	8	32
30CSSW04	3/4"	6	24
30CSSW05	1"	4	16
30CSSW06	1-1/4"	3	12
30CSSW07	1-1/2"	2	8
30CSSW08	2"	1	4
30CSSW09	2-1/2"	1	1
30CSSW10	3"	1	1
30CSSW11	4"	1	1



Three Piece & Flanged Ball Valves



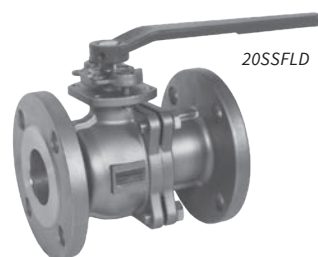
30SSTH



30SSSW



20CSFLD



20SSFLD

30SSTH Three Piece Full Port 316 Stainless Steel Ball Valves - NPT

- W.P. 1000 WOG
- Blow Out Proof Stem
- W.T. 4 °F - 392 °F
- Locking Handle

Model Number	SIZE	Carton Quantities	
		INNER	MASTER
30SSTH01	1/4"	10	40
30SSTH02	3/8"	10	40
30SSTH03	1/2"	8	32
30SSTH04	3/4"	6	24
30SSTH05	1"	4	16
30SSTH06	1-1/4"	3	12
30SSTH07	1-1/2"	2	8
30SSTH08	2"	2	4
30SSTH09	2-1/2"	1	1
30SSTH10	3"	1	1
30SSTH11	4"	1	1

30SSSW Three Piece Full Port 316 Stainless Steel Ball Valves - SW

- W.P. 1000 WOG
- Blow Out Proof Stem
- W.T. 4 °F - 392 °F
- Locking Handle

Model Number	SIZE	Carton Quantities	
		INNER	MASTER
30SSSW01	1/4"	20	80
30SSSW02	3/8"	20	80
30SSSW03	1/2"	18	72
30SSSW04	3/4"	12	48
30SSSW05	1"	10	40
30SSSW06	1-1/4"	6	24
30SSSW07	1-1/2"	4	16
30SSSW08	2"	3	12
30SSSW09	2-1/2"	1	4
30SSSW10	3"	1	1
30SSSW11	4"	1	1

20CSFLD Two Piece Full Port Flanged Carbon Steel Ball Valves

- W.P. ANSI Class 150
- W.T. 4 °F - 392 °F
- Blow Out Proof Stem
- ASME B16.34
- Locking Handle

Model Number	SIZE	Carton Quantities	
		INNER	MASTER
20CSFL05D	1"	6	12
20CSFL07D	1-1/2"	4	8
20CSFL08D	2"	2	4
20CSFL09D	2-1/2"	1	2
20CSFL10D	3"	1	2
20CSFL11D	4"	1	2
20CSFL13D	6"	1	1

20SSFLD Two Piece Full Port Flanged 316 Stainless Steel Ball Valves

- W.P. ANSI Class 150
- W.T. 4 °F - 392 °F
- Blow Out Proof Stem
- ASME B16.34
- Locking Handle

Model Number	SIZE	Carton Quantities	
		INNER	MASTER
20SSFL05D	1"	6	12
20SSFL07D	1-1/2"	4	8
20SSFL08D	2"	2	4
20SSFL09D	2-1/2"	1	2
20SSFL10D	3"	1	2
20SSFL11D	4"	1	2
20SSFL13D	6"	1	1



Forged Gate Valves



Forged Carbon Steel Gate Valves - Reduced Port - Class 800 - NPT **500FCT**

- ASTM A105
- Maximum Pressure 1975 PSI
- Bolted Bonnet
- API 602
- Maximum Temperature 850 °F
- NACE MR-0175
- Trim 8

Model Number	SIZE	Carton Quantities	
		INNER	MASTER
500FCT01-8	1/4"	1	10
500FCT02-8	3/8"	1	10
500FCT03-8	1/2"	1	10
500FCT04-8	3/4"	1	9
500FCT05-8	1"	1	5
500FCT06-8	1-1/4"	1	4
500FCT07-8	1-1/2"	1	3
500FCT08-8	2"	1	2

Forged Carbon Steel Gate Valves - Reduced Port - Class 800 - SW **500FCW**

- ASTM A105
- Maximum Pressure 1975 PSI
- Bolted Bonnet
- API 602
- Maximum Temperature 850 °F
- NACE MR-0175
- Trim 8

Model Number	SIZE	Carton Quantities	
		INNER	MASTER
500FCW01-8	1/4"	1	10
500FCW02-8	3/8"	1	10
500FCW03-8	1/2"	1	10
500FCW04-8	3/4"	1	9
500FCW05-8	1"	1	5
500FCW06-8	1-1/4"	1	4
500FCW07-8	1-1/2"	1	3
500FCW08-8	2"	1	2

Forged Stainless Steel Gate Valves - Reduced Port - Class 800 - NPT **500FSST**

- ASTM A182/316L
- Maximum Pressure 1975 PSI
- Bolted Bonnet
- API 602
- Maximum Temperature 850 °F
- NACE MR-0175

Model Number	SIZE	Carton Quantities	
		INNER	MASTER
500FSST03	1/2"	1	10
500FSST04	3/4"	1	9
500FSST05	1"	1	5
500FSST06	1-1/4"	1	4
500FSST07	1-1/2"	1	3
500FSST08	2"	1	2

Forged Stainless Steel Gate Valves - Reduced Port - Class 800 - SW **500FSSW**

- ASTM A182/316L
- Maximum Pressure 1975 PSI
- Bolted Bonnet
- API 602
- Maximum Temperature 850 °F
- NACE MR-0175

Model Number	SIZE	Carton Quantities	
		INNER	MASTER
500FSSW03	1/2"	1	10
500FSSW04	3/4"	1	9
500FSSW05	1"	1	5
500FSSW06	1-1/4"	1	4
500FSSW07	1-1/2"	1	3
500FSSW08	2"	1	2



Forged Globe Valves



505FCT



505FCW



505FSST



505FSSW

505FCT Forged Carbon Steel Globe Valves - Reduced Port - Class 800 - NPT

- ASTM A105
- Maximum Pressure 1975 PSI
- Bolted Bonnet
- API 602
- Maximum Temperature 850 ° F
- NACE MR-0175
- Trim 8

Model Number	SIZE	Carton Quantities	
		INNER	MASTER
505FCT01-8	1/4"	1	10
505FCT02-8	3/8"	1	10
505FCT03-8	1/2"	1	10
505FCT04-8	3/4"	1	9
505FCT05-8	1"	1	5
505FCT06-8	1-1/4"	1	4
505FCT07-8	1-1/2"	1	3
505FCT08-8	2"	1	2

505FCW Forged Carbon Steel Globe Valves - Reduced Port - Class 800 - SW

- ASTM A105
- Maximum Pressure 1975 PSI
- Bolted Bonnet
- API 602
- Maximum Temperature 850 ° F
- NACE MR-0175
- Trim 8

Model Number	SIZE	Carton Quantities	
		INNER	MASTER
505FCW01-8	1/4"	1	10
505FCW02-8	3/8"	1	10
505FCW03-8	1/2"	1	10
505FCW04-8	3/4"	1	9
505FCW05-8	1"	1	5
505FCW06-8	1-1/4"	1	4
505FCW07-8	1-1/2"	1	3
505FCW08-8	2"	1	2

505FSST Forged Stainless Steel Globe Valves - Reduced Port - Class 800 - NPT

- ASTM A182/316L
- Maximum Pressure 1975 PSI
- Bolted Bonnet
- API 602
- Maximum Temperature 850 ° F
- NACE MR-0175

Model Number	SIZE	Carton Quantities	
		INNER	MASTER
505FSST03	1/2"	1	10
505FSST04	3/4"	1	9
505FSST05	1"	1	5
505FSST06	1-1/4"	1	4
505FSST07	1-1/2"	1	3
505FSST08	2"	1	2

505FSSW Forged Stainless Steel Globe Valves - Reduced Port - Class 800 - SW

- ASTM A182/316L
- Maximum Pressure 1975 PSI
- Bolted Bonnet
- API 602
- Maximum Temperature 850 ° F
- NACE MR-0175

Model Number	SIZE	Carton Quantities	
		INNER	MASTER
505FSSW03	1/2"	1	10
505FSSW04	3/4"	1	9
505FSSW05	1"	1	5
505FSSW06	1-1/4"	1	4
505FSSW07	1-1/2"	1	3
505FSSW08	2"	1	2



Forged Check Valves



520FCT



520FCW



522FCT



522FCW



522FSST



522FSSW

Forged Carbon Steel Swing Check Valves - Reduced Port - Class 800 - NPT

520FCT

- ASTM A105
- Maximum Pressure 1975 PSI
- Bolted Bonnet
- API 602
- Maximum Temperature 850 °F
- NACE MR-0175
- Trim 8

Model Number	SIZE	Carton Quantities	
		INNER	MASTER
520FCT03-8	1/2"	1	10
520FCT04-8	3/4"	1	9
520FCT05-8	1"	1	5
520FCT06-8	1-1/4"	1	4
520FCT07-8	1-1/2"	1	3
520FCT08-8	2"	1	2

Forged Carbon Steel Swing Check Valves - Reduced Port - Class 800 - SW

520FCW

- ASTM A105
- Maximum Pressure 1975 PSI
- Bolted Bonnet
- API 602
- Maximum Temperature 850 °F
- NACE MR-0175
- Trim 8

Model Number	SIZE	Carton Quantities	
		INNER	MASTER
520FCW03-8	1/2"	1	10
520FCW04-8	3/4"	1	9
520FCW05-8	1"	1	5
520FCW06-8	1-1/4"	1	4
520FCW07-8	1-1/2"	1	3
520FCW08-8	2"	1	2

Forged Carbon Steel Check Valves - Reduced Port - Class 800 - NPT

522FCT

- ASTM A105
- Maximum Pressure 1975 PSI
- Bolted Bonnet
- API 602
- Maximum Temperature 850 °F
- NACE MR-0175
- Trim 8

Model Number	SIZE	Carton Quantities	
		INNER	MASTER
522FCT01-8	1/4"	1	10
522FCT02-8	3/8"	1	10
522FCT03-8	1/2"	1	10
522FCT04-8	3/4"	1	9
522FCT05-8	1"	1	5
522FCT06-8	1-1/4"	1	4
522FCT07-8	1-1/2"	1	3
522FCT08-8	2"	1	2

Forged Carbon Steel Check Valves - Reduced Port - Class 800 - SW

522FCW

- ASTM A105
- Maximum Pressure 1975 PSI
- Bolted Bonnet
- API 602
- Maximum Temperature 850 °F
- NACE MR-0175
- Trim 8

Model Number	SIZE	Carton Quantities	
		INNER	MASTER
522FCW01-8	1/4"	1	10
522FCW02-8	3/8"	1	10
522FCW03-8	1/2"	1	10
522FCW04-8	3/4"	1	9
522FCW05-8	1"	1	5
522FCW06-8	1-1/4"	1	4
522FCW07-8	1-1/2"	1	3
522FCW08-8	2"	1	2

Forged Stainless Steel Check Valves - Reduced Port - Class 800 - NPT

522FSST

- ASTM A182/316L
- Maximum Pressure 1975 PSI
- Bolted Bonnet
- API 602
- Maximum Temperature 850 °F
- NACE MR-0175

Model Number	SIZE	Carton Quantities	
		INNER	MASTER
522FSST03	1/2"	1	10
522FSST04	3/4"	1	9
522FSST05	1"	1	5
522FSST06	1-1/4"	1	4
522FSST07	1-1/2"	1	3
522FSST08	2"	1	2

Forged Stainless Steel Check Valves - Reduced Port - Class 800 - SW

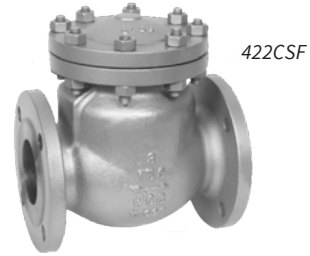
522FSSW

- ASTM A182/316L
- Maximum Pressure 1975 PSI
- Bolted Bonnet
- API 602
- Maximum Temperature 850 °F
- NACE MR-0175

Model Number	SIZE	Carton Quantities	
		INNER	MASTER
522FSSW03	1/2"	1	10
522FSSW04	3/4"	1	9
522FSSW05	1"	1	5
522FSSW06	1-1/4"	1	4
522FSSW07	1-1/2"	1	3
522FSSW08	2"	1	2



Cast Steel Gate, Globe & Check Valves



400CSF Flanged Cast Steel Gate Valve - Full Port - 150LB.

- Maximum Pressure 285 PSI
- ASTM A216 WCB
- Outside Screw & Yoke
- API 600
- Maximum Temperature 1000° F
- Bolted Bonnet
- Trim 8

Model Number	Carton Quantities		
	SIZE	INNER	MASTER
400CSF08-8	2"	1	50
400CSF09-8	2-1/2"	1	40
400CSF10-8	3"	1	32
400CSF11-8	4"	1	20
400CSF13-8	6"	1	16
400CSF14-8	8"	1	6
400CSF15-8	10"	1	4
400CSF16-8	12"	1	4

405CSF Flanged Cast Steel Globe Valve - Full Port - 150LB.

- Maximum Pressure 285 PSI
- ASTM A216 WCB
- Outside Screw & Yoke
- Maximum Temperature 1000° F
- Bolted Bonnet
- Trim 8

Model Number	SIZE	Carton Quantities	
		INNER	MASTER
405CSF08-8	2"	1	50
405CSF09-8	2-1/2"	1	40
405CSF10-8	3"	1	32
405CSF11-8	4"	1	24
405CSF13-8	6"	1	9
405CSF14-8	8"	1	4
405CSF15-8	10"	1	4
405CSF16-8	12"	1	2

422CSF Flanged Cast Steel Swing Check Valve - Full Port - 150LB.

- Maximum Pressure 285 PSI
- ASTM A216 WCB
- Maximum Temperature 1000° F
- Bolted Bonnet
- Trim 8

Model Number	Carton Quantities		
	SIZE	INNER	MASTER
422CSF08-8	2"	1	60
422CSF09-8	2-1/2"	1	60
422CSF10-8	3"	1	45
422CSF11-8	4"	1	24
422CSF13-8	6"	1	12
422CSF14-8	8"	1	6
422CSF15-8	10"	1	3
422CSF16-8	12"	1	2



316 Stainless Steel - Valves & Y Strainers



316 Stainless Steel Gate Valve - 200 PSI - NRS - NPT		40SSTH	
• W.P. 200 WOG		• Maximum Temperature 392 ° F	
Model Number	SIZE	Carton Quantities	
		INNER	MASTER
40SSTH03	1/2"	30	60
40SSTH04	3/4"	25	50
40SSTH05	1"	20	40
40SSTH06	1-1/4"	15	30
40SSTH07	1-1/2"	10	20
40SSTH08	2"	5	10

316 Stainless Steel Globe Valve - 200 PSI - NRS - NPT		50SSTH	
• W.P. 200 WOG		• Maximum Temperature 392 ° F	
Model Number	SIZE	Carton Quantities	
		INNER	MASTER
50SSTH03	1/2"	40	80
50SSTH04	3/4"	30	60
50SSTH05	1"	20	40
50SSTH06	1-1/4"	15	30
50SSTH07	1-1/2"	10	20
50SSTH08	2"	6	12

316 Stainless Steel Swing Check Valve - 200 PSI - NPT		60SSTH	
• W.P. 200 WOG		• Maximum Temperature 392 ° F	
Model Number	SIZE	Carton Quantities	
		INNER	MASTER
60SSTH03	1/2"	25	50
60SSTH04	3/4"	16	32
60SSTH05	1"	12	24
60SSTH06	1-1/4"	9	18
60SSTH07	1-1/2"	10	20
60SSTH08	2"	8	16

316 Stainless Steel Y Strainer - NPT		70SSTH	
• W.P. 800 WOG		• Maximum Temperature 392 ° F	
• 40 Mesh Screen			
Model Number	SIZE	Carton Quantities	
		INNER	MASTER
70SSTH03	1/2"	30	60
70SSTH04	3/4"	25	50
70SSTH05	1"	16	32
70SSTH06	1-1/4"	10	20
70SSTH07	1-1/2"	12	24
70SSTH08	2"	5	10

316 Stainless Steel - Valves & Y Strainers



Ductile Iron Gate Valves | Resilient Wedge - Non-Rising Stem



225W



225M



225MR

225W

Flanged Ductile Iron Gate Valve - Resilient Wedge - NRS

- AWWA C515-15
- 300 PSI 2" - 12"
- 250 PSI 14" - 18"
- 200 PSI 20" - 24"
- UL Listed / FM Approved
- AWWA C550 Epoxy
- NSF-61 / NSF-372 Verified by UL Water Quality
- Supplied With Handwheel & Op. Nut

Model Number

	SIZE	WEIGHT
225W08	2"	32
225W09	2-1/2"	41
225W10	3"	53
225W11	4"	67
225W13	6"	105
225W14	8"	172
225W15	10"	286
225W16	12"	409
225W17	14"	480
225W18	16"	685
225W19	18"	890
225W20	20"	1044
225W24	24"	1503

225M

Mechanical Joint Ductile Iron Gate Valve - Resilient Wedge - NRS

- AWWA C515-15
- 300 PSI 2" - 12"
- 250 PSI 14" - 18"
- 200 PSI 20" - 24"
- UL Listed / FM Approved
- AWWA C550 Epoxy
- NSF-61 / NSF-372 Verified by UL Water Quality
- Supplied With Handwheel & Op. Nut

Model Number

	SIZE	WEIGHT
225M08	2"	33
225M10	3"	44
225M11	4"	58
225M13	6"	102
225M14	8"	154
225M15	10"	231
225M16	12"	350
225M17	14"	480
225M18	16"	685
225M19	18"	890
225M20	20"	1044
225M24	24"	1503

225MR

Mechanical Joint Ductile Iron Gate Valve - Resilient Wedge - NRS

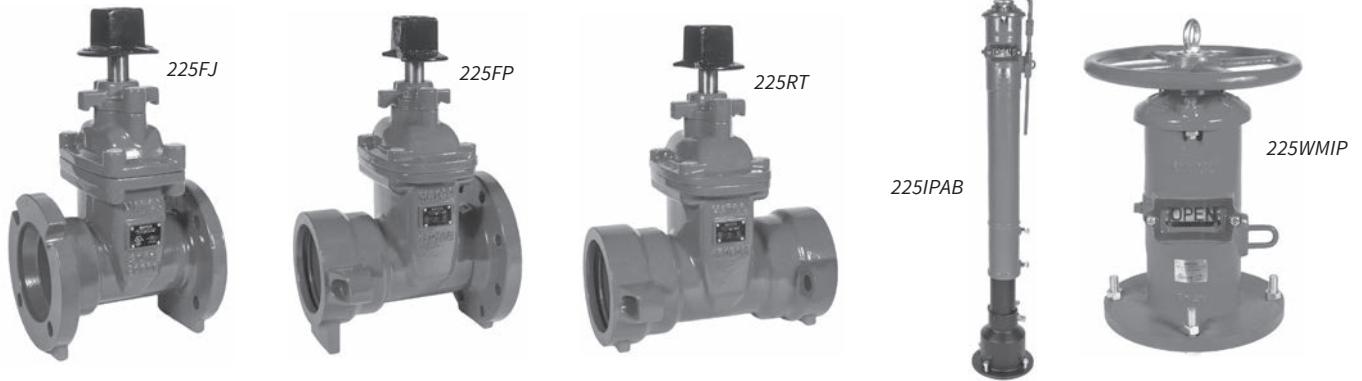
- AWWA C515-15
- 300 PSI 2" - 12"
- UL Listed / FM Approved
- AWWA C550 Epoxy
- NSF-61 / NSF-372 Verified by UL Water Quality

Model Number

	SIZE	WEIGHT
225M10R	3"	44
225M11R	4"	58
225M13R	6"	102
225M14R	8"	154
225M15R	10"	231
225M16R	12"	350



Resilient Wedge - Non-Rising Stem | Ductile Iron Gate Valves



Flanged x MJ Ductile Iron Gate Valve - Resilient Wedge - NRS			225FJ
<ul style="list-style-type: none"> • AWWA C515-15 • 300 PSI • UL Listed / FM Approved 		<ul style="list-style-type: none"> • AWWA C550 Epoxy • NSF-61 / NSF-372 Verified by UL Water Quality 	
Model Number	SIZE	WEIGHT	
225FJ10	3"	44	
225FJ11	4"	71	
225FJ13	6"	103	
225FJ14	8"	184	
225FJ15	10"	267	
225FJ16	12"	386	

Flanged x MJ Ductile Iron Gate Valve - Resilient Wedge - NRS - Open Right			225FJR
<ul style="list-style-type: none"> • AWWA C515-15 • 300 PSI • UL Listed / FM Approved 		<ul style="list-style-type: none"> • AWWA C550 Epoxy • NSF-61 / NSF-372 Verified by UL Water Quality 	
Model Number	SIZE	WEIGHT	
225FJ11R	4"	71	
225FJ13R	6"	103	
225FJ14R	8"	184	
225FJ15R	10"	267	
225FJ16R	12"	386	

Flanged x Push-On (C900/DI Pipe) Ductile Iron Gate Valve - Resilient Wedge - NRS			225FP
<ul style="list-style-type: none"> • AWWA C515-15 • 300 PSI • UL Listed / FM Approved • Less Gasket 		<ul style="list-style-type: none"> • AWWA C550 Epoxy • NSF-61 / NSF-372 Verified by UL Water Quality 	
Model Number	SIZE	WEIGHT	
225FP11	4"	58	
225FP13	6"	102	
225FP14	8"	154	
225FP15	10"	231	
225FP16	12"	350	
225RG Tyton Style Ring Gaskets Available.			

Push-On x Push-On (C900/DI Pipe) Ductile Iron Gate Valve - Resilient Wedge - NRS			225RT
<ul style="list-style-type: none"> • AWWA C515-15 • 300 PSI • UL Listed / FM Approved 		<ul style="list-style-type: none"> • AWWA C550 Epoxy • NSF-61 / NSF-372 Verified by UL Water Quality 	
Model Number	SIZE	WEIGHT	
225RT11	4"	58	
225RT13	6"	102	
225RT14	8"	154	
225RT15	10"	231	
225RT16	12"	350	
225RG Tyton Style Ring Gaskets Available.			

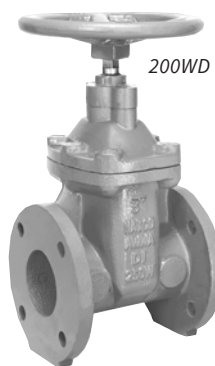
Tapping Flanged x MJ Ductile Iron Gate Valve - Resilient Wedge - NRS			225TV
<ul style="list-style-type: none"> • AWWA C515-15 • AWWA C550 Epoxy • 200 PSI 		<ul style="list-style-type: none"> • MSS SP-60 • 4 Stem Seal O-Rings 	
Model Number	SIZE	WEIGHT	
225TV11	4"	71	
225TV13	6"	103	
225TV14	8"	184	
225TV15	10"	267	
225TV16	12"	386	

Post Indicator Attachments			225
Model Number	SIZE	WEIGHT	
225IPAB	4" UL/FM Vertical Indicator Post "AB" Length	50	
225IPC	4" UL/FM Vertical Indicator Post "C" Length	172	
225WMIP	UL/FM Indicator Post - Wall Mount	50	
POST INDICATOR PLATES AVAILABLE			
P225PIP48	4" - 8"	18	
P225PIP12	10" - 12"	22	

Ductile Iron Gate Valves



Ductile Iron Gate Valves | Resilient Wedge - Non-Rising Stem



200WW Flanged Ductile Iron Gate Valve - Resilient Wedge - NRS

- AWWA C509-15
- 250 CWP
- Maximum Temperature 230 ° F
- Fusion Bonded Epoxy

Model Number			
HANDWHEEL	OP. NUT	SIZE	WEIGHT
200W08W	200W08NW	2"	31
200W10W	200W10NW	3"	53
200W11W	200W11NW	4"	77
200W13W	200W13NW	6"	135
200W14W	200W14NW	8"	209
200W15W	200W15NW	10"	333
200W16W	200W16NW	12"	462

For Larger Sizes See 225M On Page 45.

200MW Mechanical Joint Ductile Iron Gate Valve - Resilient Wedge - NRS

- AWWA C509-15
- 250 CWP
- Maximum Temperature 230 ° F
- Fusion Bonded Epoxy

Model Number			
OP.NUT	OPEN RIGHT	SIZE	WEIGHT
200M10W	200M10NW	3"	53
200M11W	200M11NW	4"	77
200M13W	200M13NW	6"	135
200M14W	200M14NW	8"	209
200M15W	200M15NW	10"	333
200M16W	200M16NW	12"	462

For Larger Sizes See 225W On Page 45.

200WD Flanged Ductile Iron Gate Valve - BUNA Resilient Wedge - NRS

- AWWA C515-15
- 2" - 12" - 250 CWP
- 16" - 200 CWP
- Fusion Bonded Epoxy

Model Number			
HANDWHEEL	OP. NUT	SIZE	WEIGHT
200WD08	-	2"	28
200WD09	200WD09N	2-1/2"	37
200WD10	200WD10N	3"	45
200WD11	200WD11N	4"	69
200WD13	200WD13N	6"	119
200WD14	200WD14N	8"	203
200WD15	200WD15N	10"	282
200WD16	200WD16N	12"	412
200WD18	-	16"	1602

200RTD Ring-Tite Ductile Iron Gate Valve - Resilient Wedge - NRS - For IPS Pipe

- AWWA C509-15
- 250 CWP
- Fusion Bonded Epoxy

Model Number		
OP. NUT	SIZE	WEIGHT
200RTD08	2"	25
200RTD09	2-1/2"	31
200RTD10	3"	38
200RTD11	4"	54
200RTD13	6"	104
200RTD14	8"	171
200RTD15	10"	289
200RTD16	12"	447



Resilient Wedge - Non-Rising Stem | Cast Iron Gate Valves



Flanged Cast Iron Gate Valve - Resilient Wedge - NRS				10RW
<ul style="list-style-type: none"> • 200 CWP 2" - 8" • 150 CWP 10" - 12" • 3 Bosses - 1 Tapped & Plugged 		<ul style="list-style-type: none"> • USC Approved • Epoxy Coated 		
Model Number				
HANDWHEEL	OP. NUT	SIZE	WEIGHT	
10RW08	10RW08N	2"	25	
10RW09	-	2-1/2"	31	
10RW10	10RW10N	3"	42	
10RW11	10RW11N	4"	64	
10RW12	10RW12N	5"	97	
10RW13	10RW13N	6"	108	
10RW14	10RW14N	8"	191	
10RW15	-	10"	286	
10RW16	-	12"	393	

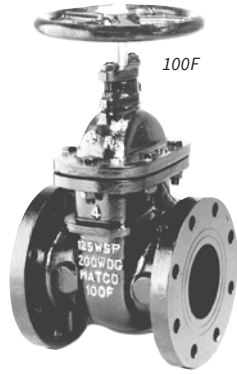
Threaded Cast Iron Gate Valve - Resilient Wedge - NRS				10RS
<ul style="list-style-type: none"> • 200 CWP 		<ul style="list-style-type: none"> • 3 Bosses - 1 Tapped & Plugged 		
Model Number				
HANDWHEEL	OP. NUT	SIZE	WEIGHT	
10RS08	10RS08N	2"	18	
10RS09	10RS09N	2-1/2"	20	
10RS10	10RS10N	3"	26	
10RS11	10RS11N	4"	44	
10RS12		5"	77	
10RS13		6"	95	

Ring-Tite Ductile Iron Gate Valve - Resilient Wedge - NRS - For IPS Pipe				10RT
<ul style="list-style-type: none"> • 200 CWP 250 CWP • 3 Bosses - 1 Tapped & Plugged 		<ul style="list-style-type: none"> • Epoxy Coated 		
Model Number				
OP. NUT	SIZE	WEIGHT		
10RT08	2"	20		
10RT09	2-1/2"	22		
10RT10	3"	33		
10RT11	4"	46		
10RT13	6"	90		
10RT14	8"	154		

Cast Iron Gate Valves



Cast Iron Gate Valves | IBBM - Iron Body Bronze Mounted



100F Flanged Cast Iron Gate Valve - IBBM - NRS		
<ul style="list-style-type: none"> • 2" - 12" - 125 SWP • 2" - 12" - 200 WOG • 14" - 18" - 125 SWP • 14" - 18" - 150 WOG 		
<ul style="list-style-type: none"> • 3 Bosses • MSS SP-70 • WW-V-58-CL1 • Bituminous Coated 		
Model Number		
HANDWHEEL	SIZE	WEIGHT
100F08	2"	26
100F09	2-1/2"	35
100F10	3"	44
100F11	4"	77
100F12	5"	97
100F13	6"	128
100F14	8"	220
100F15	10"	315
100F16	12"	483
100F17	14"	807
100F18	16"	1077
100F19	18"	1301
OP. Nuts Available. See Page 58 for Part Numbers.		

105F Flanged Cast Iron Gate Valve - OS&Y - IBBM - Rising Stem		
<ul style="list-style-type: none"> • 2" - 12" - 125 SWP • 2" - 12" - 200 WOG • 14" - 18" - 125 SWP • 14" - 18" - 150 WOG 		
<ul style="list-style-type: none"> • 3 Bosses • MSS SP-70 • WW-V-58-CL1 • Bituminous Coated 		
Model Number		
HANDWHEEL	SIZE	WEIGHT
105F08	2"	29
105F09	2-1/2"	37
105F10	3"	50
105F11	4"	86
105F12	5"	115
105F13	6"	150
105F14	8"	249
105F15	10"	374
105F16	12"	524
105F17	14"	816
105F18	16"	1187
105F19	18"	1413
105F20	20"	2104
105F24	24"	3184

100S Threaded Cast Iron Gate Valve - IBBM - NRS		
<ul style="list-style-type: none"> • 125 SWP • 200 WOG • Bituminous Coated 		
<ul style="list-style-type: none"> • MSS SP-70 • WW-V-58-CL1 		
Model Number		
HANDWHEEL	SIZE	WEIGHT
100S08	2"	23
100S09	2-1/2"	25
100S10	3"	34
100S11	4"	58
100S12	5"	77
100S13	6"	111

Cast Iron Gate Valves



IBBM - Iron Body Bronze Mounted | Cast Iron Gate & Globe Valves



Flanged Cast Iron Globe Valve - OS&Y - IBBM - Rising Stem			150F
<ul style="list-style-type: none"> • 125 SWP • 200 WOG 			<ul style="list-style-type: none"> • MSS SP-70 • Bituminous Coated
Model Number	SIZE	WEIGHT	
150F08	2"	38	
150F09	2-1/2"	49	
150F10	3"	60	
150F11	4"	99	
150F13	6"	187	
150F14	8"	315	

Flanged Cast Iron Gate Valve - IBBM - NRS			200F
<ul style="list-style-type: none"> • 200 WOG - Not for Steam Service • MSS SP-70 			<ul style="list-style-type: none"> • Bituminous Coated
Model Number	OP. NUT	SIZE	WEIGHT
200F09		2-1/2"	39
200F10		3"	47
200F11		4"	66
200F13		6"	139
200F14		8"	201
200F15		10"	295

OP. Nuts Available. See Page 58 for Part Numbers.

Flanged Cast Iron Gate Valve - OS&Y - IBBM - Rising Stem			205F
<ul style="list-style-type: none"> • 200 WOG - Not for Steam Service • MSS SP-70 			<ul style="list-style-type: none"> • Bituminous Coated
Model Number	SIZE	WEIGHT	
200F10	3"	51	
200F11	4"	75	
200F13	6"	141	
200F14	8"	223	
200F15	10"	322	

Cast Iron Gate & Globe Valves



Cast Iron & Ductile Iron Gate Valves | Resilient Wedge



Cast Iron & Ductile Iron Gate Valves

105W Flanged Cast Iron Gate Valve - OS&Y - Resilient Wedge - Rising Stem		
<ul style="list-style-type: none"> • AWWA C509 • 3" - 12" - 200 CWP • 14" - 16" - 125 CWP • 3 Bosses - 1 Tapped & Plugged • MSS SP-70 • Fusion Bonded Epoxy - AWWA C550 		
Model Number	SIZE	WEIGHT
105W10	3"	64
105W11	4"	93
105W13	6"	157
105W14	8"	269
105W15	10"	436
105W16	12"	597
105W17	14"	827
105W18	16"	1135

205U Flanged Cast Iron Gate Valve - OS&Y - Resilient Wedge - Rising Stem		
<ul style="list-style-type: none"> • AWWA C515-15 • 300 CWP • Max. Temperature 180 ° F • 4 Bosses - 1 Tapped & Plugged • Fusion Bonded Epoxy Coating - AWWA C550 		
Model Number	SIZE	WEIGHT
205U09	2-1/2"	57
205U10	3"	69
205U11	4"	104
205U13	6"	172
205U14	8"	243
205U15	10"	440
205U16	12"	683



105U Flanged Cast Iron Gate Valve - OS&Y - Resilient Wedge - Rising Stem		
<ul style="list-style-type: none"> • 175 SWP • 3 Bosses - 1 Tapped & Plugged • N.Y.C. Approved • USC Approved • Fusion Bonded Epoxy 		
Model Number	SIZE	WEIGHT
105U09	2-1/2"	51
105U10	3"	66
105U11	4"	97
105U13	6"	164
105U14	8"	283
105U15	10"	456
105U16	12"	756



205UCNY Flanged Ductile Iron Gate Valve - OS&Y - Resilient Wedge - Rising Stem		
<ul style="list-style-type: none"> • AWWA C515-15 • 300 CWP • Max. Temperature 180 ° F • Less Tap & Plug • Chicago / NYC Body Spec • Fusion Bonded Epoxy Coating - AWWA C550 		
Model Number	SIZE	WEIGHT
205U09CNY	2-1/2"	57
205U10CNY	3"	69
205U11CNY	4"	104
205U13CNY	6"	172
205U14CNY	8"	243
205U15CNY	10"	440
205U16CNY	12"	683



IBBM & Resilient Seat | Cast Iron Swing Check Valves



115F



115S



120F



120S

Flanged Cast Iron Swing Check Valve - IBBM

115F

- 125 SWP
- 200 WOG
- One Boss
- MSS SP-71
- Bituminous Coated

Model Number		
	SIZE	WEIGHT
115F08	2"	20
115F09	2-1/2"	31
115F10	3"	42
115F11	4"	69
115F12	5"	80
115F13	6"	115
115F14	8"	231
115F15	10"	357
115F16	12"	498

Flanged Cast Iron Swing Check Valve - Resilient Seat

120F

- 200 WOG
- One Boss
- MSS SP-71
- Epoxy Coated

Model Number		
	SIZE	WEIGHT
120F08	2"	20
120F09	2-1/2"	31
120F10	3"	41
120F11	4"	69
120F12	5"	79
120F13	6"	115
120F14	8"	230
120F15	10"	356
120F16	12"	497

Threaded Cast Iron Swing Check Valve

115S

- 125 SWP
- 200 WOG
- MSS SP-71
- Bituminous Coated

Model Number		
	SIZE	WEIGHT
115S08	2"	14
115S09	2-1/2"	18
115S10	3"	27
115S11	4"	53
115S13	6"	100

Threaded Cast Iron Swing Check Valve - Resilient Seat

120S

- 200 WOG
- MSS SP-71
- Epoxy Coated

Model Number		
	SIZE	WEIGHT
120S08	2"	14
120S09	2-1/2"	18
120S10	3"	27
120S11	4"	53
120S13	6"	99

Cast Iron Swing Check Valves



Swing Check Valves | Resilient Seat



120W



120WC



120U

120W Flanged Ductile Iron Swing Check Valve - Resilient Seat

- AWWA C508
- 300 CWP
- 3 Bosses
- Fusion Bonded Epoxy

Model Number

Model Number	SIZE	WEIGHT
120W10	3"	56
120W11	4"	75
120W13	6"	144
120W14	8"	275
120W15	10"	435
120W16	12"	594

120WC Flanged Ductile Iron Swing Check Valve - Resilient Seat

- AWWA C508
- 3" - 12" 300 CWP
- 14" - 16" 150 CWP
- One Boss
- Fusion Bonded Epoxy

Model Number

Model Number	SIZE	WEIGHT
120WC10	3"	57
120WC11	4"	84
120WC13	6"	156
120WC14	8"	294
120WC15	10"	466
120WC16	12"	627
120WC17	14"	873
120WC18	16"	1025

P120WSK Spring Kit Available For 120WC.

P120WLW Replacement Lever & Weight Available for 120WC.



P120WSK

Need Help?

CONTACT US DIRECTLY

1. mail@matco-norca.com
2. (800) 688-2583
3. matco-norca.com/contact us



Wafer Style Check Valves



CVC



CVCUL



SC

Wafer Check Valve - Double Bronze Disc - BUNA - N Seat			CVC
<ul style="list-style-type: none"> • Class 125 • 300 WOG 		<ul style="list-style-type: none"> • Ductile Iron Body - SS Springs & Shaft 	
Model Number	SIZE	WEIGHT	
CVC-2	2"	4	
CVC-2.5	2-1/2"	5	
CVC-3	3"	8	
CVC-4	4"	13	
CVC-5	5"	16	
CVC-6	6"	20	
CVC-8	8"	38	
CVC-10	10"	57	
CVC-12	12"	92	
CVC-14	14"	121	
CVC-16	16"	165	

Wafer Check Valve - Double SS Disc - EPDM Seat			CVCUL
<ul style="list-style-type: none"> • Class 125 • 175 PSI 		<ul style="list-style-type: none"> • UL Listed • Ductile Iron Body - SS Springs & Shaft 	
Model Number	SIZE	WEIGHT	
CVC-4UL	4"	19	
CVC-6UL	6"	30	
CVC-8UL	16"	51	

Silent Wafer Check Valve - Poppet Style - Bronze Disc and Seat			SC
<ul style="list-style-type: none"> • Class 125 • 200 WOG 		<ul style="list-style-type: none"> • Cast Iron Body - SS Springs 	
Model Number	SIZE	WEIGHT	
SC-2	2"	7	
SC-2.5	2-1/2"	9	
SC-3	3"	15	
SC-4	4"	25	
SC-5	5"	32	
SC-6	6"	56	
SC-8	8"	100	
SC-10	10"	140	
SC-12	12"	340	

Join Our Email List



Wafer Style Check Valves





CICFB



CICFG



CIRFB



CIRFG



CIBF



PVCF

Cast Iron Companion Flange					CICF
Model Number					
BLACK	GALV.	FLANGE x O.D.	# OF HOLES	WEIGHT	
CICFB07	CICFG07	1-1/2" x 5"	4	3	
CICFB08	CICFG08	2" x 6"	4	4	
CICFB09	CICFG09	2-1/2" x 7"	4	6	
CICFB10	CICFG10	3" x 7-1/2"	4	8	
CICFB11	CICFG11	4" x 9"	8	12	
CICFB12	CICFG12	5" x 10"	8	14	
CICFB13	CICFG13	6" x 11"	8	17	
CICFB14	CICFG14	8" x 13-1/2"	8	26	
CICFB15	CICFG15	10" x 16"	12	38	
CICFB16	CICFG16	12" x 19"	12	57	

Cast Iron Blind Flange					CIBF
Model Number					
BLACK	NOMINAL SIZE	FLANGE x O.D.	# OF HOLES	WEIGHT	
CIBFB08	2"	2" x 6"	4	5	
CIBFB09	2-1/2"	2-1/2" x 7"	4	7	
CIBFB10	3"	3" x 7-1/2"	4	9	
CIBFB11	4"	4" x 9"	8	16	
CIBFB13	6"	6" x 11"	8	25	
CIBFB14	8"	8" x 13-1/2"	8	42	
CIBFB15	10"	10" x 16"	12	65	
CIBFB16	12"	12" x 19"	12	85	

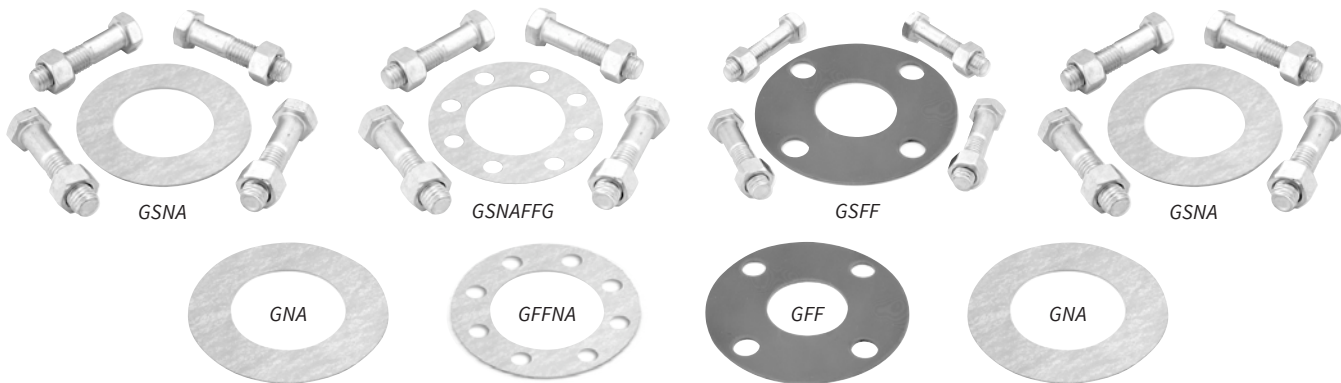
Cast Iron Reducing Flange						CIRF
Model Number						
BLACK	GALV.	FLANGE x IPS	IPS x O.D.	# OF HOLES	WEIGHT	
CIRFB32	CIRFG32	3" x 2"	2" x 7-1/2"	4	9	
CIRFB32.5	CIRFG32.5	3" x 2-1/2"	2-1/2" x 7-1/2"	4	8	
CIRFB42	CIRFG42	4" x 2"	2" x 9"	4	14	
CIRFB42.5	CIRFG42.5	4" x 2-1/2"	2-1/2" x 9"	4	13	
CIRFB43	CIRFG43	4" x 3"	3" x 9"	8	13	
CIRFB52.5	CIRFG52.5	5" x 2-1/2"	2-1/2" x 10"	8	20	
CIRFB54	CIRFG54	5" x 4"	4" x 10"	8	16	
CIRFB62	CIRFG62	6" x 2"	2" x 11"	8	26	
CIRFB62.5	CIRFG62.5	6" x 2-1/2"	2-1/2" x 11"	8	22	
CIRFB63	CIRFG63	6" x 3"	3" x 11"	8	23	
CIRFB64	CIRFG64	6" x 4"	4" x 11"	8	21	
CIRFB65	CIRFG65	6" x 5"	5" x 11"	8	19	
CIRFB82	CIRFG82	8" x 2"	2" x 13-1/2"	8	44	
CIRFB82.5	CIRFG82.5	8" x 2-1/2"	2-1/2" x 13-1/2"	8	40	
CIRFB83	CIRFG83	8" x 3"	3" x 13-1/2"	8	40	
CIRFB84	CIRFG84	8" x 4"	4" x 13-1/2"	8	37	
CIRFB85	CIRFG85	8" x 5"	5" x 13-1/2"	8	34	
CIRFB86	CIRFG86	8" x 5"	6" x 13-1/2"	8	31	

PVC Van Stone Flange - (Sch 80) Socket (Swivel)				PVCF
Model Number				
	SIZE	# OF HOLES	WEIGHT	
CIBFB08	2"	4	5	
CIBFB09	2-1/2"	4	7	
CIBFB10	3"	4	9	
CIBFB11	4"	8	16	
CIBFB13	6"	8	25	
CIBFB14	8"	8	42	
CIBFB15	10"	12	65	
CIBFB16	12"	12	85	

Cast Iron Flanges



Accessories | Gaskets, Bolts, and Bolt & Gasket Sets



GSNA/GNA 150# Non-Asbestos Ring Bolt Pack - 1/16"

Model Number		
PACK	GASKET ONLY	SIZE
GSNAG2	GNA2	2"
GSNAG2.5	GNA2.5	2-1/2"
GSNAG3	GNA3	3"
GSNAG4	GNA4	4"
GSNAG5	GNA5	5"
GSNAG6	GNA6	6"
GSNAG8	GNA8	8"
GSNAG10	GNA10	10"
GSNAG12	GNA12	12"
GSNAG14	GNA14	14"
GSNAG16	GNA16	16"

GSNAFF/GFFNA 150# Non-Asbestos Full Face Bolt Pack - 1/16"

Model Number		
PACK	GASKET ONLY	SIZE
GSNAFFG2	GFFNA2	2"
GSNAFFG2.5	GFFNA2.5	2-1/2"
GSNAFFG3	GFFNA3	3"
GSNAFFG4	GFFNA4	4"
GSNAFFG5	GFFNA5	5"
GSNAFFG6	GFFNA6	6"
GSNAFFG8	GFFNA8	8"

GSFF/GFF 150# Full Face Red Rubber Bolt Pack - 1/8"

Model Number		
PACK	GASKET ONLY	SIZE
GSFFG2	GFF2	2"
GSFFG2.5	GFF2.5	2-1/2"
GSFFG3	GFF3	3"
GSFFG4	GFF4	4"
GSFFG5	GFF5	5"
GSFFG6	GFF6	6"
GSFFG8	GFF8	8"
GSFFG10	GFF10	10"
GSFFG12	GFF12	12"
GSFFG14	GFF14	14"
GSFFG16	GFF16	16"

GSNAX/GNAX 300# Non-Asbestos Ring Bolt Pack - 1/16"

Model Number		
PACK	GASKET ONLY	SIZE
GSNAXG2	GNAX2	2"
GSNAXG2.5	GNAX2.5	2-1/2"
GSNAXG3	GNAX3	3"
GSNAXG4	GNAX4	4"
GSNAXG5	GNAX5	5"
GSNAXG6	GNAX6	6"
GSNAXG8	GNAX8	8"

SBG Plated Stud Bolt, Nut And Washer Set

• For Wafer Butterfly Valves

Model Number			
	FITS SIZES	QTY	BOLT SIZE
SBG2	2" & 2-1/2"	4	5/8" x 6"
SBG3	3"	4	5/8" x 7"
SBG4	4"	8	5/8" x 7"
SBG6	5", 6" & 8"	8	3/4" x 7"
SBG10	10" & 12"	12	7/8" x 8"
SBG14	14"	12	1" x 8"
SBG16	16"	16	1" x 10"





MJ Accessory Kit - Fits Ductile Iron & C-900 Pipe		100MJ
• Includes - STD T-Head Bolts, MJ Gasket & D.I. Gland		
Model Number		
	SIZE	WEIGHT
100MJ2	2"	5
100MJ3	3"	7
100MJ4	4"	8
100MJ6	6"	12
100MJ8	8"	15
100MJ10	10"	20
100MJ12	12"	25
100MJ14	14"	25
100MJ16	16"	25

MJ Transition Accessory Kit - Fits (IPS) PVC & Steel Pipe		100MJX
• Includes - STD T-Head Bolts, MJ Gasket & D.I. Gland		
Model Number		
	SIZE	WEIGHT
100MJX2	2"	5
100MJX3	3"	7
100MJX4	4"	8
100MJX6	6"	12
100MJX8	8"	15
100MJX10	10"	20
100MJX12	12"	25

T-Wrench For 2" Operating Nut		EMKL
Model Number		SIZE
EMKL36		36"
EMKL60		60"



Mechanical Joint Accessory Kits



Wheel Handles & Operating Nuts for Iron Gate Valves



P-2WH



P-WH-U



P-100NB



P-100NL

Wheel Handles & Operating Nuts for Iron Gate Valves

WH Wheel Handles for Iron Gate Valves				
Model Number				
	SIZE	FITS MODEL #	SIZE	FITS MODEL #
P-WH-A	2", 2-1/2"	10RS/W/T		
P-WH-B	3"	10RS/W/T	2", 2-1/2"	100F/S
P-WH-C	4"	10RS/W/T	3"	100F/S
P-WH-D	4"	100F/S		
P-WH-E	5", 6"	10RS/W/T	5", 6"	100F/S
P-WH-F	8"	10RS/W/T	8"	100F/S
P-WH-G	10"	10RS/W/T	10"	100F
P-WH-H	12"	10RS/W/T	12"	100F
P-WH-U3	2-1/2, 3"	105U		
P-WH-U4	4"	105U		
P-WH-U6	6"	105U		
P-WH-U8	8"	105U		
P-WH-U10	10"	105U		
P-WH-U12	12"	105U		
P105FA	2"	105F/S	2", 2-1/2"	12RW
P105FB	2-1/2"	105F/S	3"	12RW
P105FC	3"	105F/S/W	4"	12RW
P105FD	4"	105F/S/W	5", 6"	12RW
P105FE	5"	105F/S		
P105FG	6"	105F/S/W		
P105FH	8"	105F/S/W		
P105FI	10"	105F/S/W		
P105FJ	12"	105F/S/W		
P-2DWH8	2"	200WD/WW/MW	2"	100RTW
P-2DWH9	2-1/2"	200WD/WW/MW	2-1/2"	100RTW
P-2DWH10	3"	200WD/WW/MW/FJW	3"	100RTW
P-2DWH11	4"	200WD/WW/MW/FJW	4"	100RTW
P-2DWH13	6" & 8"	200WD/WW/MW/FJW	6" & 8"	100RTW
P-2DWH15	10"	200WD/WW/MW/FJW	10"	100RTW
P-2DWH16	12"	200WD/WW/MW/FJW	12"	100RTW
OLD STYLE HANDWHEELS (200W HANDWHEELS PRE 2008)				
P-2WH10	3"	200W/M/FJ	3"	100RT
P-2WH11	4"	200W/M/FJ	4"	100RT
P-2WH13	6"	200W/M/FJ	6"	100RT
P-2WH14	8"	200W/M/FJ	8"	100RT
P-2WH15	10"	200W/M/FJ	10"	100RT

OP 2" Operating Nut for NRS Iron Gate Valves				
Model Number				
	SIZE	FITS MODEL #	SIZE	FITS MODEL #
P-100NA	2", 2-1/2"	10RS/W/T		
P-100NB	3"	10RS/W/T	2", 2-1/2"	100F/S
P-100NC	4"	10RS/W/T 200F	3"	100F/S
P-100ND	4"	100F/S 200F		
P-100NE	5", 6" 8"	10RS/W/T 200F	5", 6"	100F/S
P-100NF	8" 6"	10RS/W/T 200F	8"	100F/S
P-100NG	10"	10RW	10"	100F
P-100NH	12"	10RW	12"	100F
P-100NL	14"	100W/M/F		
P-100NM	16"	100F		
P-100NO	18"	100F		
P-100NP	16"	100W/M		

OP 2" Operating Nut for NRS Iron Gate Valves	
Model Number	
	SIZE
P-200DNC	2" - 4"
P-200DND	6" - 8"
P-200DNF	10"
P-200DNG	12"



P-200DNC





Need Help?

CONTACT US DIRECTLY

1. mail@matco-norca.com
2. (800) 688-2583
3. [matco-norca.com/contact us](http://matco-norca.com/contact-us)

Contact Us

**Join Our
Email List**



NOTES



Butterfly Valve Part # Breakdown

B5-RLO4

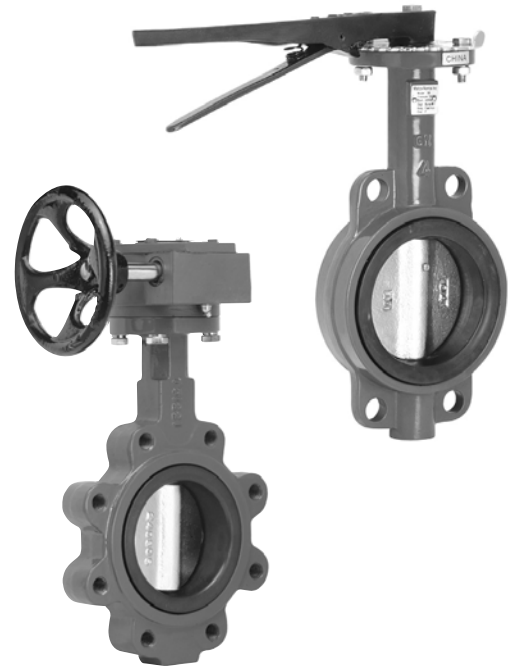
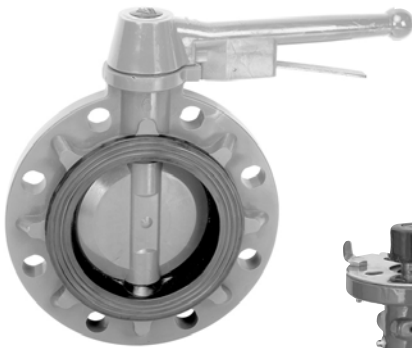


CHOOSE STYLE
B1
B5
B6
B7

SELECT STYLE	
RLO	Wafer Style, Lever Operated
RWG	Wafer Style, Gear Operated
LGL	Lug Style, Lever Operated
LGG	Lug Style, Gear Operated

PART#	SIZE
2	2"
2.5	2-1/2"
3	3"
4	4"
5	5"
6	6"
8	8"
10	10"
12	12"
Through 36"	

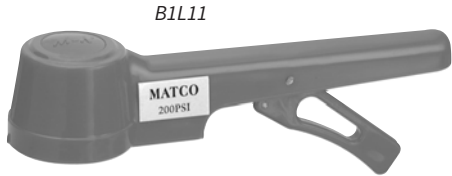
DISC & LINER	EXAMPLE
- Zinc Coated Ductile Iron Disc - BUNA-N Liner (2" - 12")	B5-RLO4
- Nickel Plated Ductile Iron Disc - BUNA-N Liner (14" - 36")	B5-RLO4
AB Aluminum-Bronze Disc - BUNA-N Liner	B5-RLO4AB
ABE Aluminum-Bronze Disc - EPDM Liner	B5-RLO4ABE
S 316 Stainless Steel Disc - BUNA-N Liner	B5-RLO4S
SE 316 Stainless Steel Disc - EPDM Liner	B5-RLO4SE



B1 PVC Butterfly Valves & Parts



B1-RLO



B1L11

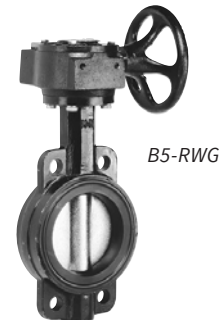
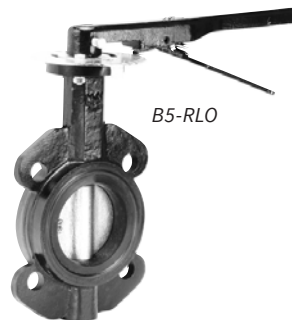
PVC Wafer Butterfly Valve			B1
<ul style="list-style-type: none"> • 10 Position Lock Lever Operated • 200 PSI 			
Model Number			
	SIZE	WEIGHT	
B1-RLO2	2"	4	
B1-RLO2.5	2-1/2"	4	
B1-RLO3	3"	7	
B1-RLO4	4"	8	
B1-RLO6	6"	11	
<i>Valves Only Available with Stainless Steel Stem, EPDM Liner, Polypropylene Disc.</i>			

Lever Handle For B1 Butterfly Valve		B1L
<ul style="list-style-type: none"> • Replacement Handles for B1 Butterfly Valve • Square End 		
Model Number		
	SIZE	
B1L10	3"	
B1L11	4"	
B1L13	6"	

NOTES



B5 Butterfly Valves | Gear or 10 Position Lock Lever Operated



B5-LGL Ductile Iron Lug Butterfly Valve - Lever Operated		
• 200 PSI		
Model Number		
	SIZE	WEIGHT
B5-LGL2	2"	10
B5-LGL2.5	2-1/2"	12
B5-LGL3	3"	13
B5-LGL4	4"	20
B5-LGL5	5"	24
B5-LGL6	6"	26
B5-LGL8	8"	45
B5-LGL10	10"	64
B5-LGL12	12"	86

B5-RLO Ductile Iron Wafer Butterfly Valve - Lever Operated		
• 200 PSI		
Model Number		
	SIZE	WEIGHT
B5-RLO2	2"	9
B5-RLO2.5	2-1/2"	11
B5-RLO3	3"	12
B5-RLO4	4"	16
B5-RLO5	5"	19
B5-RLO6	6"	22
B5-RLO8	8"	39
B5-RLO10	10"	55
B5-RLO12	12"	75

B5-LGG Lug Butterfly Valve - Gear Operated		
• 2" - 12" Ductile Iron - 200 PSI • 14" - 36" Cast Iron - 150 PSI		
Model Number		
	SIZE	WEIGHT
B5-LGG2	2"	21
B5-LGG2.5	2-1/2"	21
B5-LGG3	3"	24
B5-LGG4	4"	29
B5-LGG5	5"	33
B5-LGG6	6"	35
B5-LGG8	8"	64
B5-LGG10	10"	83
B5-LGG12	12"	113
B5-LGG14	14"	149
B5-LGG16	16"	244
B5-LGG18	18"	282
B5-LGG20	20"	374
B5-LGG24	24"	662
B5-LGG30	30"	1250
B5-LGG36	36"	2050

B5-RWG Wafer Butterfly Valve - Gear Operated		
• 2" - 12" Ductile Iron - 200 PSI • 14" - 36" Cast Iron - 150 PSI		
Model Number		
	SIZE	WEIGHT
B5-RWG2	2"	18
B5-RWG2.5	2-1/2"	20
B5-RWG3	3"	21
B5-RWG4	4"	24
B5-RWG5	5"	29
B5-RWG6	6"	31
B5-RWG8	8"	59
B5-RWG10	10"	75
B5-RWG12	12"	102
B5-RWG14	14"	125
B5-RWG16	16"	207
B5-RWG18	18"	251
B5-RWG20	20"	349
B5-RWG24	24"	448
B5-RWG30	30"	1155
B5-RWG36	36"	185

All Valves Come Standard With Nickel Plated Ductile Iron Disc and BUNA-N Liner;
See Butterfly Valve Part # Breakdown for Other Configurations. Page 60.



B5 Butterfly Valve Parts & Accessories



BSL



B5GRNUT



B5G



B5X



B5IND



B5WH



B5LCH

Lever Handle for B5 Butterfly Valve

B5L

Model Number		Model Number	
SIZE		SIZE	
B5L3	2" - 3"	B5L8	8"
B5L4	4"	B5L10	10"
B5L6	6"	B5L12	12"

Gear Nut for B5 Butterfly Valve

B5GRNUT

Model Number	SIZE
B5GRNUT6	2" - 3"
B5GRNUT12	8" - 12"
B5GRNUT14	14"
B5GRNUT16	16"
B5GRNUT18	18"
B5GRNUT20	20"
B5GRNUT24	24"

Hand Wheel for B5 Butterfly Valve

B5WH

Model Number		Model Number	
SIZE		SIZE	
B5-WH2	2" - 3"	B5-WH18	18"
B5-WH8	8" - 12"	B5-WH30	30"
B5-WH16	16"	B5-WH36	36"

Latch Nut for B5 Butterfly Valve

B5LCH

Model Number	SIZE
B5-LCH3	2" - 3"
B5-LCH4	4"
B5-LCH6	6"

Index Plate for B5 Butterfly Valve

B5IND

Model Number	
CHROME PLATED	SIZE
B5IND23	2" - 3"
B5IND810	8" - 12"
B5IND12	14"
STAINLESS STEEL PLATED	SIZE
B5IND3S	3"
B5IND4S	4"
B5IND6S	6"

Gear Nut for B5 Butterfly Valve

B5G

Model Number		Model Number	
WITH HANDWHEEL & PIN	SIZE		SIZE
B5G23	2" - 3"	B5G14	18"
B5G4	4"	B5G16	30"
B5G56	5" - 6"	B5G18	36"
B5G8	8"	B5G24	30"
B5G10	06"		
B5G12	12"		
B5G12R	12" Rounded		

Stem Extension for B5 Butterfly Valve

B5X

Model Number	FITS VALVE SIZE	LENGTH OF EXTENTION
B5-X** A	2" - 3"	24"
B5-X** B	4"	36"
B5-X** C	5" - 6"	48"
B5-X** D	8"	60"
B5-X** E	10"	72"
B5-X** F	12"	
B5-X** G	14"	
B5-X** H	16"	
B5-X** I	18"	
B5-X** J	20"	
B5-X** K	24"	

Example:

B5-X24-A=

24" Extension For
2" - 3" Butterfly Valve

**Place Holder For Length of Extension. Flat & Round Extensions Also Available.



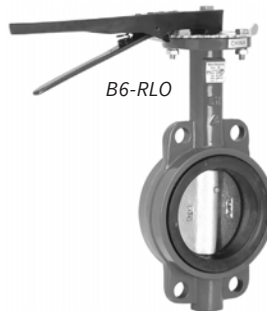
B6 Butterfly Valves | Gear or 10 Position Lock Lever Operated



B6-LGG



B6-LGL



B6-RLO



B6-RWG

B6-LGG Cast Iron Lug Butterfly Valve - Gear Operated

• 200 PSI

Model Number		
	SIZE	WEIGHT
B6-LGG2	2"	20
B6-LGG2.5	2-1/2"	21
B6-LGG3	3"	22
B6-LGG4	4"	31
B6-LGG5	5"	36
B6-LGG6	6"	43
B6-LGG8	8"	63
B6-LGG10	10"	83
B6-LGG12	12"	113

B6-RLO Cast Iron Wafer Butterfly Valve - Lever Operated

• 200 PSI

Model Number		
	SIZE	WEIGHT
B6-RLO2	2"	7
B6-RLO2.5	2-1/2"	9
B6-RLO3	3"	10
B6-RLO4	4"	13
B6-RLO5	5"	17
B6-RLO6	6"	19
B6-RLO8	8"	31
B6-RLO10	10"	45
B6-RLO12	12"	74

B6-LGL Cast Iron Lug Butterfly Valve - Lever Operated

• 200 PSI

Model Number		
	SIZE	WEIGHT
B6-LGL2	2"	10
B6-LGL2.5	2-1/2"	11
B6-LGL3	3"	13
B6-LGL4	4"	22
B6-LGL5	5"	16
B6-LGL6	6"	33
B6-LGL8	8"	42
B6-LGL10	10"	63
B6-LGL12	12"	92

B6-RWG Cast Iron Wafer Butterfly Valve - Gear Operated

• 200 PSI

Model Number		
	SIZE	WEIGHT
B6-RWG2	2"	17
B6-RWG2.5	2-1/2"	18
B6-RWG3	3"	19
B6-RWG4	4"	22
B6-RWG5	5"	27
B6-RWG6	6"	29
B6-RWG8	8"	55
B6-RWG10	10"	68
B6-RWG12	12"	101

Valves Only Come With Stainless Steel Stem, BUNA-N Seat, Nickel Plated Ductile Iron Disc.



B6 Butterfly Valve & Parts / B7 Butterfly Valve



B6-TLO



B6L



B6G



B6IND



B7-RLO

Cast Iron Nickel Plated Butterfly Valve

B6

• 200 PSI

Model Number		
	SIZE	WEIGHT
B6-TLO4AB	4"	20

Gear for B6 Butterfly Valve

B6G

• With Handwheel & Pin

Model Number	
	SIZE
B6G23	2" - 3"
B6G4	4"
B6G56	5" - 6"
B6G8	8"
B6G10	10"
B6G12	12"

Index Plate for B6 Butterfly Valve

B6IND

Model Number	
	SIZE
B6IND26	2" - 6"
B6IND812	8" - 12"

Lever Handle for B6 Butterfly Valve

B6L

Model Number	
	SIZE
B6L3	2" - 3"
B6L4	4"
B6L6	6"
B6L8	8"
B6L10	10"
B6L12	12"

Cast Iron Wafer Butterfly Valve - Double Stem - Short Neck

B7

• 200 PSI

Model Number		
	SIZE	WEIGHT
B7-RLO2	2"	8
B7-RLO2.5	2-1/2"	10
B7-RLO3	3"	11
B7-RLO4	4"	15
B7-RLO5	5"	20
B7-RLO6	6"	22
B7-RLO8	8"	36
B7-RLO10	10"	51
B7-RLO12	12"	71

Valves Only Available with Stainless Steel Stem, EPDM Liner, Polypropylene Disc.

B6 Butterfly Valve & Parts / B7 Butterfly Valve



Terms & Conditions of Sale

ACCEPTANCE

Orders, whether verbal or written, are subject to acceptance by Matco-Norca, Inc. Hereinafter referred to as the seller at its Brewster, N.Y. office. No terms or conditions of buyers order contrary to seller's terms and conditions shall be binding upon seller unless specifically agreed upon by seller in writing. Sellers acceptance of orders shall occur by written acknowledgement or tender of delivery of goods and or services the subject hereof (goods), which ever occurs first.

PRICES AND SALES POLICY

Until written confirmation of this contract has been received by buyer, all prices are subject to change without prior notice. We reserve the right to adjust orders to standard package quantities unless otherwise stated on buyers purchase order. We reserve the right to make product improvement without notice. If seller determines buyer's credit is unsatisfactory or there is reasonable doubt concerning buyer's ability to pay, payment in advance may be required or buyer shall provide security for such payment in an amount and form acceptable to seller. Unless otherwise specified by seller, terms are 2% 10 days/net 30 days.

Cash discounts apply to the value of goods at the net invoiced value before transportation charges, taxes and additional duties. Unearned cash discounts will be charged back as an unpaid balance to the buyers account. Any past due amount is subject to a finance charge of 1-1/2% per month (18% per year) on the total past due balance in accordance with the Truth-in-Lending Act in Title 1 of the Federal Consumer Protection Act effective July 1, 1969.

TAXES

All prices are exclusive of taxes and excises. Sales, use and other taxes, by whomsoever levied, are to be paid by the buyer and unless invoiced, are to be paid by buyer direct to the appropriate governmental agency. Buyers are required to furnish seller with a copy of their tax exemption of resale certificate, otherwise applicable state sales taxes will be charged.

DELIVERY AND SHIPMENT OF MATERIALS

All goods are sold F.O.B. sellers warehouse. Delivery of material to a common carrier shall constitute delivery thereof to buyer and risk of loss shall pass to buyer at such time. Claims for damage to or loss of material in transit shall be filed by buyer direct with carrier. Buyer assumes all risks and liability for the results obtained by the use of material delivered hereunder. No claim of any kind, whether as to material delivered or for nondelivery or late delivery of material and whether based on negligence or otherwise, shall be greater in amount than the purchase price of the material in respect to which such claim is made. In no event shall seller be liable for indirect or consequential damages or for anticipated profits or loss of use of equipment.

RETURNS AND CANCELLATIONS

Permission in writing and return authorization must be obtained from seller before any goods are returned. All returns must be prepaid, no collect shipments will be accepted. All returns made for reasons other than defects are subject to a restocking charge. Discontinued goods are not returnable.

Cancellation of orders may be made only with the sellers written consent and shall be subject to cancellation charges.

GOVERNING LAW

The entering into, construction, interpretation, performance and discharge of the terms set forth herewith shall be governed in accordance with the laws of the State of New York.

LIMITED ONE YEAR WARRANTY

Seller warrants the material to be free of defects in material and work-manship, under normal use, proper maintenance and proper operation, for a period of one year from date of delivery to a common carrier for shipment to buyer or his designated agent. The obligation of the seller is limited to (1) repair of the material, or (2) replacement of any component or components proven defective in material or workmanship, or (3) refund of the purchase price. Seller shall have no liability for the cost of removal or reinstallation with respect to any replaced or repaired product. The election of said remedies shall be determined by seller in its sole discretion and shall be considered final disposition.

All implied warranties, including the implied warranties of merchantability and fitness for a particular purpose, are hereby disclaimed and excluded. This warranty is in lieu of all other warranties, guarantees, agreements and similar obligations or seller, in no event shall seller be liable for consequential or incidental damages.

CLAIMS

No later than ten (10) days from receipt of material buyer will report, in writing, all claims for any damage, defects or shortages. All claims, including for alleged damaged or defective material, shortage negligence or any other cause whatsoever "(defective performance)", shall deemed waived unless made in writing within the ten (10) day period. However, any defective performance not discoverable within said ten (10) day period (including that discoverable only in processing or in further manufacturing) shall be deemed waived unless made in writing and received by seller in writing within ninety (90) days after receipt or within ten (10) days after buyer learns of the alleged defect, whichever occurs first. Seller's liability shall in no event exceed the purchase price of the material in respect to which the claim is made, or at the election of seller at its sole discretion, and to repair or replacement of such material. Seller shall not be liable for, and buyer assumes all responsibility for, all personal injury and property damage resulting from handling, possession, use or resale of the material by buyer. In no event shall seller be liable for incidental or consequential damages, whether buyer's claim is in contract, negligence, or otherwise. If claim is made, buyer shall permit seller at seller's option to re-inspect the material at buyer's plant or if seller so directs, buyer shall return the material at buyer's expense to seller's facility for re-inspection. No material may be returned to seller without prior written permission from seller.

FORCE MAJEURE

Anything in this agreement to the contrary notwithstanding, it is expressly agreed that seller shall not be liable for any damages resulting from, and buyer shall not have the right to cancel this order because of any delays caused in whole or in part by fires, floods, windstorms, tornadoes, wars, riots, insurrections, strikes, lockouts sit-downs, slow-downs, or other labor trouble, causing cessation or interruption of operation or by accident, material shortages, labor or fuel shortages, or inability to procure labor or materials, either on the part of the seller, or because any plant, plants or any portion thereof belonging to seller have been commandeered by the legally constituted public authority, or because of any priorities or preferences established for the manufacture, assembly or allotment of materials by order, decree, or to otherwise of the united states, or by any department, bureau, commission, committee, agent or administrator of any legally constituted public authority in any plant of seller, or any of its suppliers, or resulting from any other cause beyond the control of seller.



ITEM NUMER	PAGE NUMBER
10	
10RS	47
10RT	47
10RW	47
15SSTH	36
20	
20CSFLD	38
20SSFLD	38
20SSTH	36
25CSTH	36
25SSTH	36
26CSTHM	36
26LF	32, 33
26SSTHM	36
29LF	30, 31
30	
30CSSW	37
30CSTH	37
30SSSW	38
30SSTH	38
40	
40SSTH	43
50	
50SSTH	43
58	10
58LGAF	9
58LGAN	9
58LGFF	9
59	35
59LGA	9
59LGAF	9
59LGFF	9
60	
60SSTH	43
70	
70SSTH	43
100	
100F	48
100MJ	57
100MJX	57
100S	48
104F	54
104S	54
105F	48
105U	50
105W	50
115F	51
115S	51
120F	51
120S	51
120W	52
120WC	52
145	16
146LF	16
150F	49
200	
200AL	8
200F	49
200L	8
200LF	8
200MW	46
200RTD	46
200WD	46
200WW	46
201	21
201A	21

ITEM NUMER	PAGE NUMBER
201CMLF	21
202CMLF	21
202LF	21
203	26
204	20
205	20
205CM	20
205F	20, 49
205U	50
205UCNY	50
205WH	29
206	26
206FLF	26
206H	26
206VB	26
207	24
209	27
209PX	27
212	27
212PX	27
212PXCELF	27
214LF	20
225	45
225FJ	45
225FP	45
225M	44
225MR	44
225RT	45
225TV	45
225W	44
240H	8
240T	8
300	
300BV	6
400	
400CSF	42
405CSF	42
422CSF	42
434LF	34
500	
500FCT	39
500FCW	39
500FSST	39
500FSSW	39
501	14
503	14
505FCT	40
505FCW	40
505FSST	40
505FSSW	40
511	14
512	14
513	15
514	13
517	13
519	13
519TP	13
520FCT	41
520FCW	41
521	17
521N	17
522FCT	41
522FCW	41
522FSST	41
522FSSW	41
523	18
525	18
527LF	18
529	18

ITEM NUMER	PAGE NUMBER
530	17
532	17
600	
646AS	19
646BV	24
646R	24
700	
720QLF	5
730	15
750LF	5
752CMLPF	6
752N	6
752UF	6
754DLF	7
754N	6
754PXCELF	7
754PXLF	7
755	5
755MF	7
757	4
759	4
759LH	37
759LHLF	4
759MF	5
759PLF	5
759PDLF	5
759SDS	35
760	6
770	11
770G	11
770N	11
771	12
772	12
772ST	12
773	12
A	
ADJ	29
AHV	29
AVA	29
AVS	29
AZ203	22
AZ205	22
AZ206	22
AZ206/LK	22
AZ206/VB	22
AZ206PXCELF	22
AZ206PXLF	22
AZ207	23
AZ212LF	23
AZ212PXCELF	23
AZ212PXLF	23
AZ646R	23
B	
B1	61
B1L	61
B5-LGG	62
B5-LGL	62
B5-RLO	62
B5-RWG	62
B5G	63
B5GRNUT	63
B5IND	63
B5L	63
B5LCH	63
B5WH	63
B5X	63
B6	65
B6-LGG	64

ITEM NUMER	PAGE NUMBER
B6-LGL	64
B6-RLO	64
B6-RWG	64
B6G	65
B6IND	65
B6L	65
B7	65
BARV	28
BARVY	28
BARVYN	28
BCV	29
BDVLF	19
BFPLF	19
BSGV	28
C	
CIBF	55
CICF	55
CIF	35
CIRF	55
CK	29
CVC	53
D	
DCVLF	19
E	
EFV	34
EMKL	57
F	
FR	34
FV	34
FY	25
G	
GFF	56
GFFNA	56
GNA	56
GNAX	56
GSFF	56
GSNA	56
GSNAFF	56
GSNAX	56
H	
HAV	29
K	
KEY	29
N	
NT	28
O	
OP	58
OTV	35
P	
PVCF	55
S	
SBG	56
SC	53
SGV	28
T	
TWHK	35
W	
WH	58



mail@matco-norca.com
www.MATCO-NORCA.com



Global sourcing. National compliance. Local service.

CALIFORNIA

5595 Fresca Dr.,
La Palma, CA 90623
Toll Free: 866-532-8306
Fax: 866-532-8307

TEXAS

1150 Silber Rd.,
Houston TX 77055
Toll Free: 800-935-5456
Fax: 713-680-2999

ILLINOIS

278 Windy Point Dr.,
Glendale Heights, IL 60139
Toll Free: 844-412-5068
Fax: 800-640-2252

GEORGIA

113 Industrial Blvd.,
Americus, GA 31709
Toll Free: 800-433-7526
Fax: 800-533-5134

NEW YORK

PO Box 27, R.22,
Brewster NY 10509
Toll Free: 800-431-2082
Fax: 845-278-9056