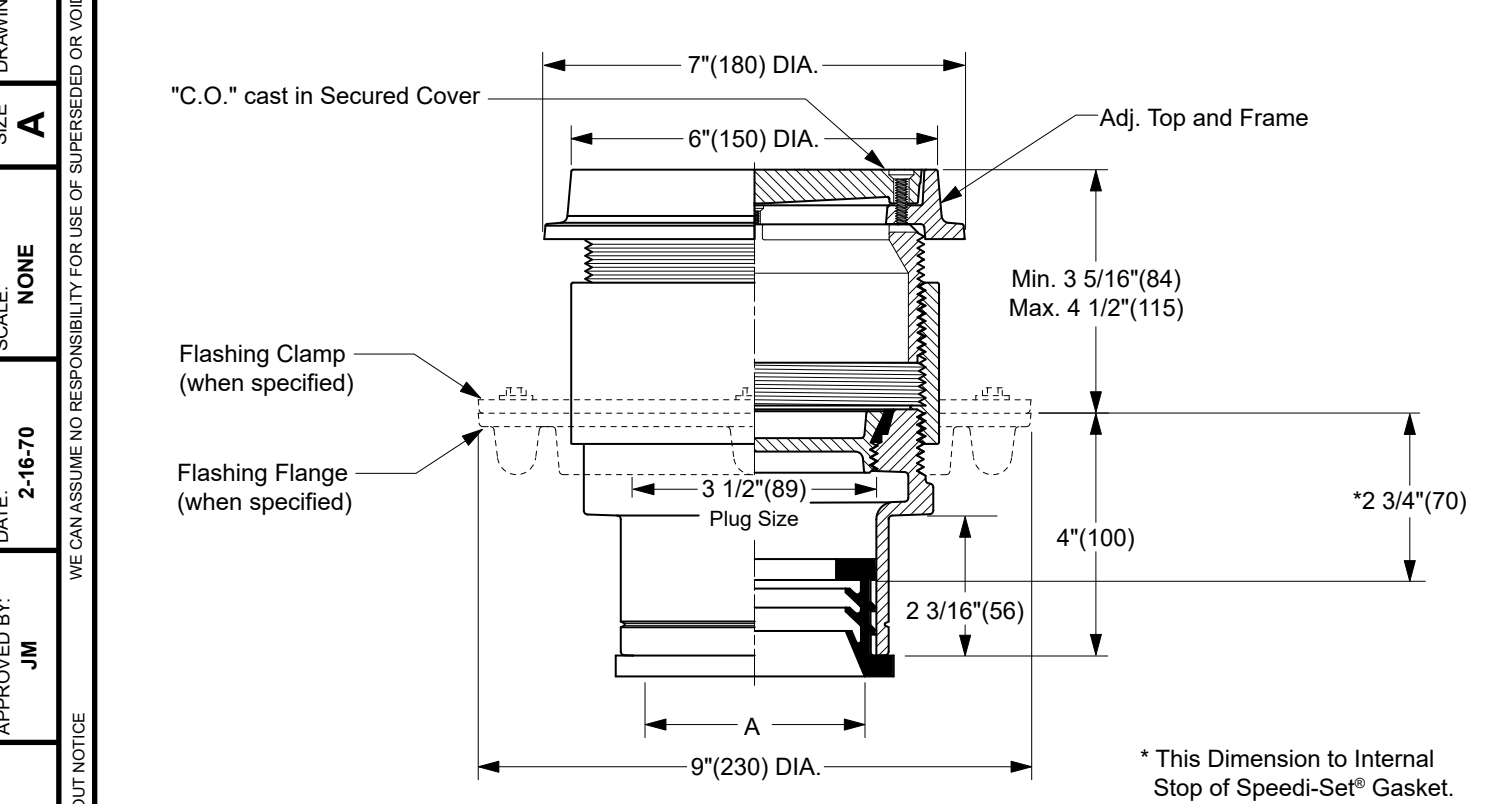


FLOOR CLEANOUTS WITH "TWIS-TO-FLOOR"® ADJUSTABLE TOPS FOR UNFINISHED AREAS

ROUND EXTRA HEAVY DUTY CAST IRON TOP



TWIS-TO-FLOOR® ADJUSTMENT
 SPEEDI-SET® OUTLET ▲
 "A" (Pipe Size) = 02(50), 03(75) or 04(100)

- Fig. 4231L.....Gasket Seal - ABS Plug
 - Fig. 4232L.....Gasket Seal - Bronze Plug
 - Fig. 4233L.....Taper Thread - Bronze Plug
 - Fig. 4234L.....Taper Thread - ABS Plug
- (Twis-to-Floor® design shown with gasketed plug.)
NOTE: Dimensions shown in parentheses are in millimeters.

REGULARLY FURNISHED:
 Duco Cast Iron Cleanout with Round Adjustable Scoriated Secured Cast Iron Top. Closure Plug Type as Indicated By Figure Number Selected.

VARIATIONS:
 Flashing Flange -F
 Flange with Flashing Clamp -F-C
 Vandal Proof Top -U
 ▲ Available in Extra Heavy, Service Weight or NO-HUB.

OPTIONAL MATERIALS:
 Galvanized Cast Iron -G
 Ductile Iron Cover -M

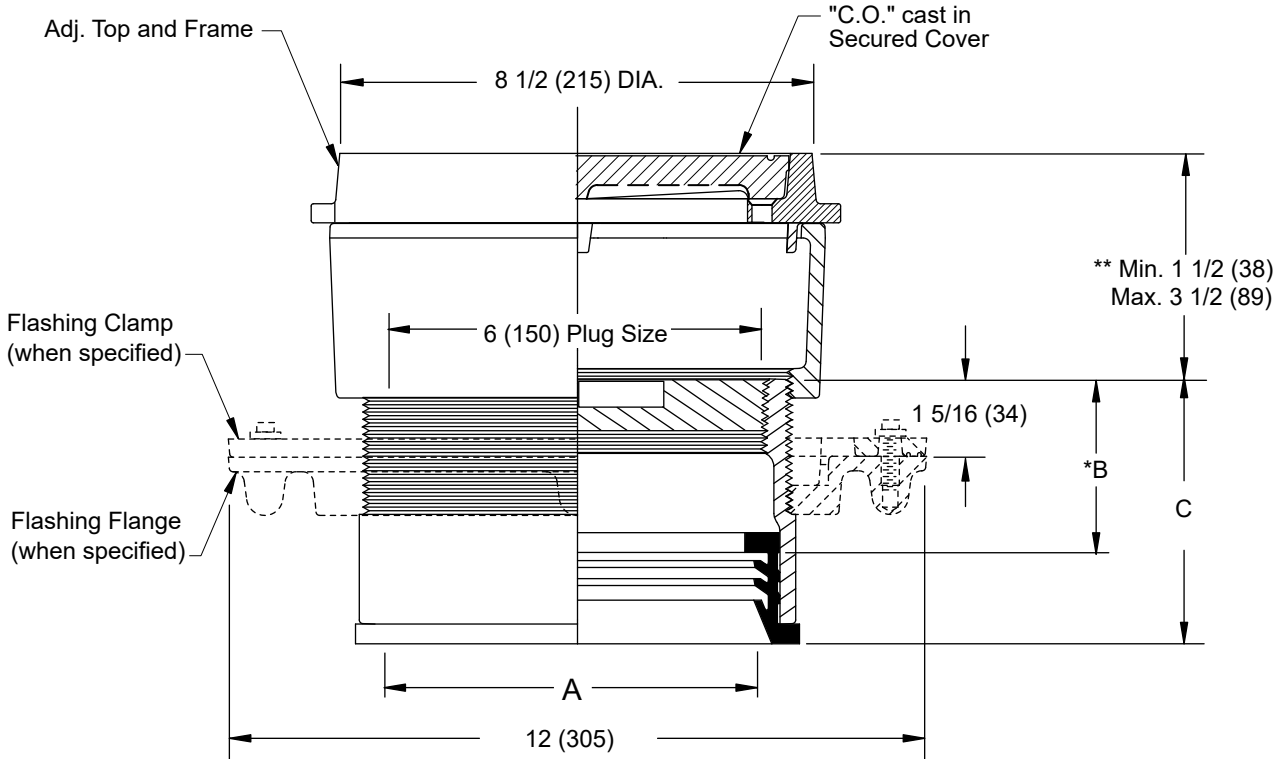
FIGURE NUMBER	Q P N M	REV.	DATE	DESCRIPTION	BY	CKD. BY	WEIGHT POUNDS	VOLUME CUBIC FEET	FIGURE NUMBER
4231 SERIES	8-17-23 3-14-23 12/17/04 07/29/02			Removed Function Added @ to Speedi-Set Added Width Dimension at Top Corrected Clamp & Flange view	HS KK JJ JJ	CL CL CL CL			4231 SERIES

D
 DRAWING NUMBER S4231BS
 SIZE A
 SCALE: NONE
 DATE: 5-5-06
 APPROVED BY: CEL
 CHECKED BY: CL
 DRAWN BY: RN
 4233
 FIGURE NUMBER

WE CAN ASSUME NO RESPONSIBILITY FOR USE OF SUPERSEDED OR VOID DATA
 DIMENSIONS ARE SUBJECT TO MANUFACTURERS TOLERANCE AND CHANGE WITHOUT NOTICE

FLOOR CLEANOUTS WITH "TWIS-TO-FLOOR®" ADJUSTABLE TOPS FOR UNFINISHED AREAS

ROUND HEAVY DUTY CAST IRON TOP



SPEEDI-SET® OUTLET ▲

"A" (Pipe Size) = 06(150) & 08(200)

A SIZE	B	C
06(150)	*3(76)	4 9/16(117)
08(200)	*3 1/4(83)	4 13/16(121)

"TWIS-TO-FLOOR®" ADJUSTMENT SPEEDI-SET® OUTLET ▲

Fig. 4233L.....Taper Thread - Bronze Plug

▲ SPEEDI-SET® OUTLET

- L Service Weight - For Service Weight and No Hub Cast Iron Pipe (Available for all pipe sizes)
 - LXH Extra Heavy - For Extra Heavy Cast Iron Pipe (Available for all pipe sizes)
 - LXH Extra Heavy - For PVC Pipe (Available for 2", 3", 4", and 8" pipe sizes only)
 - LPVC Plastic Pipe - For PVC or ABS pipe (Available for 6" pipe size only)
- * This Dimension to Internal Stop of Speedi-Set® Gasket.
 ** When Flange-F is specified Min. 1 1/2 (38) becomes 2 (51)

REGULARLY FURNISHED:

Duco Cast Iron Cleanout with Taper Thread Bronze Plug and Round Adjustable Scoriated Secured Cast Iron Top.

VARIATIONS:

- Flashing Flange -F
- Flange with Flashing Clamp -F-C
- Vandal Proof Top -U

OPTIONAL MATERIALS:

- Galvanized Cast Iron -G
- Ductile Iron Cover-M (Extra Heavy Duty)

NOTE: Dimensions shown in parentheses are in millimeters.

D	8-17-23	Removed Function	HS	CL	WEIGHT POUNDS	VOLUME CUBIC FEET	FIGURE NUMBER 4233
C	3-14-23	Added ® to Speedi-Set	KK	CL			
B	2-2-23	Revised Optional Material	KK	CL			
A	10-9-2020	Rev./Added New ▲Note	MW	CR			
REV.	DATE	DESCRIPTION	BY	CKD. BY			