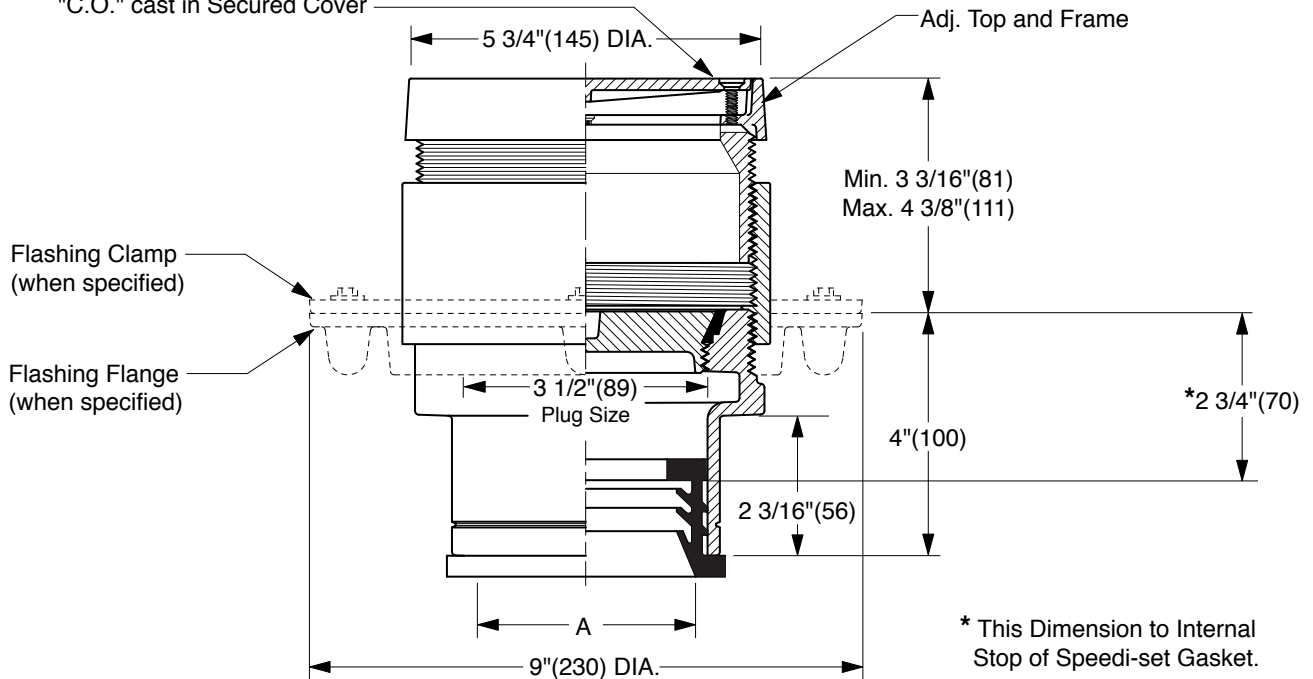


# FINISHED FLOOR CLEANOUTS WITH "TWIS-TO-FLOOR" ADJUSTABLE TOPS

## ROUND NICKEL BRONZE TOP

**FUNCTION:** For use in finished floors bearing foot and medium load wheeled traffic. Allows for easy floor level adjustment.

"C.O." cast in Secured Cover



\* This Dimension to Internal Stop of Speedi-set Gasket.

**NOTE:** For applications using core drilling, the largest diameter of the cleanout assembly is 6 5/16" (160).

TWIS-TO-FLOOR® ADJUSTMENT

SPEEDI-SET OUTLET ▲

"A" (Pipe Size) = 02(50), 03(75) or 04(100)

- Fig. 4031L.....Gasket Seal - ABS Plug
- Fig. 4032L.....Gasket Seal - Bronze Plug
- Fig. 4033L.....Taper Thread - Bronze Plug
- Fig. 4034L.....Taper Thread - ABS Plug

(Twis-to-Floor® design shown with gasketed plug.)

**NOTE:** Dimensions shown in parentheses are in millimeters.

### REGULARLY FURNISHED:

Duco Cast Iron Cleanout with Round Adjustable Scoriated Secured Nickel Bronze Top. Closure Plug Type as Indicated By Figure Number Selected.

### VARIATIONS:

- Flashing Flange -F
- Flange with Flashing Clamp -F-C
- Carpet Clamping Type -X
- Carpet Marker Type -Y
- Vandal Proof Top -U
- Wide Flange (DX)

### OPTIONAL MATERIALS:

- Galvanized Cast Iron -G
- Polished Bronze Top -PB
- Stainless Steel Top -NBSS

▲ Available in Extra Heavy, Service Weight or NO-HUB.

DRAWING NUMBER S4031  
 SIZE A  
 SCALE: NONE  
 DATE: 2-16-70  
 APPROVED BY: JM  
 CHECKED BY: BH  
 DRAWN BY: RK  
**4031 SERIES**  
 FIGURE NUMBER

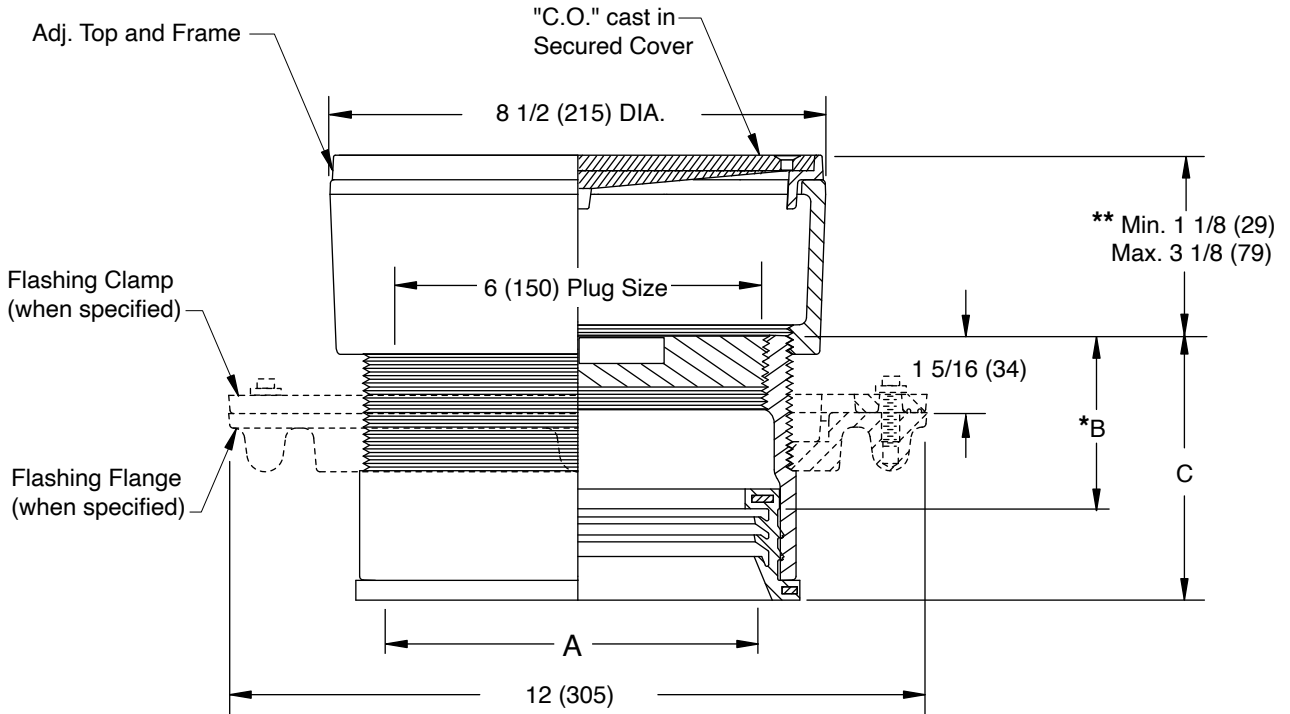
WE CAN ASSUME NO RESPONSIBILITY FOR USE OF SUPERSEDED OR VOID DATA  
 DIMENSIONS ARE SUBJECT TO MANUFACTURERS TOLERANCE AND CHANGE WITHOUT NOTICE

REV.	DATE	DESCRIPTION	BY	CKD. BY	WEIGHT POUNDS	VOLUME CUBIC FEET	FIGURE NUMBER
	7-21-21 11-15-19 12-18-08	Added SS Top Option Revised Variations Revised Variations	KK TBW RN	CL CL BW			<b>4031 SERIES</b>

# FINISHED FLOOR CLEANOUTS WITH "TWIS-TO-FLOOR®" ADJUSTABLE TOPS

## ROUND NICKEL BRONZE TOP

**FUNCTION:** For use in finished floors bearing foot and medium load wheeled traffic. Allows for easy floor level adjustment.



### SPEEDI-SET OUTLET ▲

"A" (Pipe Size) = 06(150) & 08(200)

A SIZE	B	C
06(150)	*3(76)	4 9/16(117)
08(200)	*3 1/4(83)	4 13/16(121)

### ▲ SPEEDI-SET OUTLET

- L Service Weight - For Service Weight and No Hub Cast Iron Pipe (Available for all pipe sizes)
- LXH Extra Heavy - For Extra Heavy Cast Iron Pipe (Available for all pipe sizes)
- LXH Extra Heavy - For PVC Pipe (Available for 2", 3", 4", and 8" pipe sizes only)
- LPVC Plastic Pipe - For PVC or ABS pipe (Available for 6" pipe size only)

\* This Dimension to Internal Stop of Speedi-Set Gasket.  
 \*\* When Flange-F is specified Min. 1 1/8 (29) becomes 1 5/8 (41)

### "TWIS-TO-FLOOR®" ADJUSTMENT

#### SPEEDI-SET OUTLET ▲

Fig. 4033L.....Taper Thread - Bronze Plug

#### REGULARLY FURNISHED:

Duco Cast Iron Cleanout with Taper Thread Bronze Plug and Round Adjustable Scoriated Secured Nickel Bronze Top.

#### VARIATIONS:

- Flashing Flange -F
- Flange with Flashing Clamp -F-C
- Carpet Clamping Type -X
- Carpet Marker Type -Y
- Vandal Proof Top -U
- Wide Flange (DX)

#### OPTIONAL MATERIALS:

- Galvanized Cast Iron -G
- Polished Bronze Top -PB

**NOTE:** Dimensions shown in parentheses are in millimeters.

DRAWING NUMBER S4031BS

SIZE A

SCALE: NONE

DATE: 5-5-06

APPROVED BY: CEL

CHECKED BY: CL

DRAWN BY: RN

**4033**

DIMENSIONS ARE SUBJECT TO MANUFACTURERS TOLERANCE AND CHANGE WITHOUT NOTICE WE CAN ASSUME NO RESPONSIBILITY FOR USE OF SUPERSEDED OR VOID DATA

FIGURE NUMBER

REV.	DATE	DESCRIPTION	BY	CKD. BY
A	10-9-2020	Rev./Added New ▲Note	MW	CR

WEIGHT POUNDS	VOLUME CUBIC FEET
---------------	-------------------

FIGURE NUMBER
<b>4033</b>