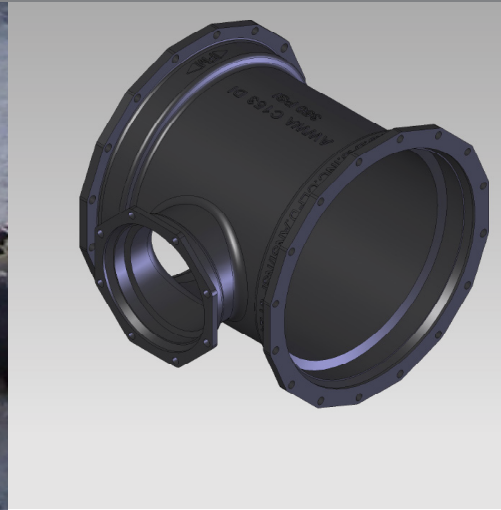
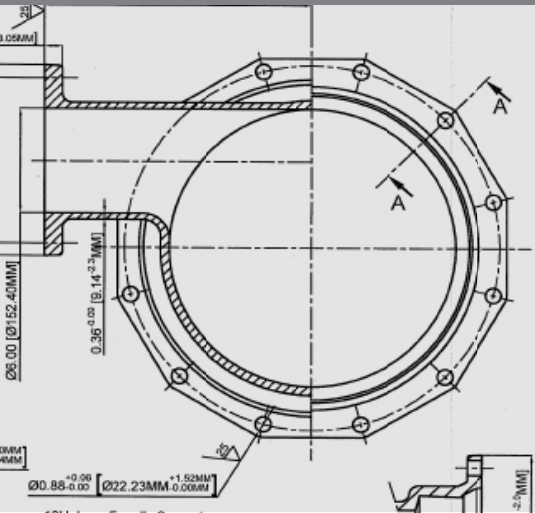




Quality – Service – Commitment – Delivered.

C153 DUCTILE IRON MECHANICAL JOINT FITTINGS



C153 DUCTILE IRON MECHANICAL JOINT FITTINGS BASIC SPECIFICATIONS

- SIZES:**
- 2" - 64"
- MATERIAL:**
- Ductile Iron ASTM A536, Grade 65-45-12, 60-42-10 or 70-50-05.
- PRESSURE:**
- 350 PSI Water Working Pressure 2" - 24".
 - 250 PSI Water Working Pressure 30" - 48".
 - 150 PSI Water Working Pressure 54" - 64".
- TESTING:**
- In accordance with ANSI/AWWA C153/A21.53.
 - In accordance with UL - FM requirements.
 - All fittings are hydrostatically tested in accordance with SIGMA Quality Management Standard.
 - All fittings are heat coded to ensure traceability and verification of metallurgical properties in accordance with the prevailing standards and SIGMA Quality Management Standards.
- LAYING LENGTH:**
- Short body design - straight section of body deleted to provide a compact and lighter fitting without reducing strength or flow characteristics.
 - In accordance with ANSI/AWWA C153/A21.53.
- DEFLECTION:**
- Maximum allowable deflection for MJ Joint on a full length pipe is as mentioned below:
 1. 3" - 4" = 8 Degrees
 2. 6" = 7 Degrees
 3. 8" - 12" = 5 Degrees
 4. 14" - 48" = 3 Degrees
- CEMENT LINING:**
- Double cement lined in accordance with ANSI/AWWA C104 / A21.4.
- COATING:**
- Interior of fitting is seal coated (asphaltic material) in accordance with ANSI AWWA C104/A21.4 and NSF61 approved.
 - Exterior of fitting is seal coated (asphaltic material) in accordance with ANSI/AWWA C153/A21.53 and NSF61 approved.
- GASKETS:**
- SBR in accordance with ANSI/AWWA C111/A21.11.
 - Also available in EPDM, NBR and CR.
- T-BOLTS:**
- Low Alloy corrosion resistant high strength steel in accordance with ANSI/AWWA C111/A21.11.
- APPROVALS:**
- 3"-16" Underwriters Laboratories listed and Factory Mutual Approved.
- STANDARDS:**
- Certified to NSF61 Standard including Annex G & 372.
 - ANSI/AWWA C153/A21.53 for Compact Ductile Iron Fittings 2"-64" for water and other liquids.
- INSTALLATION:**
- Per ANSI/AWWA C600 and C111 using DIP conforming to C150/C151 and PVC pipe conforming to C900/C905.

For sewer applications that require mandrel passage after installation, SIGMA recommends the end user check the fitting with the respective size mandrel BEFORE installing the fitting. SIGMA Corporation will NOT take responsibility for any back charges incurred due to the fitting not being checked with a mandrel prior to installation.

C153 DUCTILE IRON MECHANICAL JOINT FITTINGS

INDEX

BENDS

| | |
|---------------------------------|---|
| 90° Bends | 4 |
| 45° Bends | 4 |
| 22 1/2° Bends | 5 |
| 11 1/4° Bends | 6 |
| 90° Bends MJ X Flange | 6 |
| 45° Bends MJ X Flange | 7 |
| 22 1/2° Bends MJ X Flange | 8 |
| 11 1/4° Bends MJ X Flange | 8 |
| Adapters: MJ X Flange | 8 |

| | |
|----------------------|------|
| CROSSES | 9-10 |
|----------------------|------|

| | |
|-------------------|-------|
| TEES | 10-12 |
|-------------------|-------|

| | |
|--|----|
| Tapped Tees and Crosses | 13 |
| Tees: MJ x Swivel (Hydrant Tees) | 18 |

| | |
|-----------------------------|----|
| CAPS and PLUGS | 13 |
|-----------------------------|----|

| | |
|--------------------------------|-------|
| WYES 45° LATERALS | 14-15 |
|--------------------------------|-------|

| | |
|---|-------|
| REDUCERS: DMR, SPR, LPR, PPR | 16-17 |
|---|-------|

SWIVEL

| | |
|-------------------------------|----|
| Swivel x Solid adapter | 18 |
| Swivel Gland | 18 |
| Swivel x Solid 90° Bend | 19 |

| | |
|----------------------|----|
| OFFSETS | 19 |
|----------------------|----|

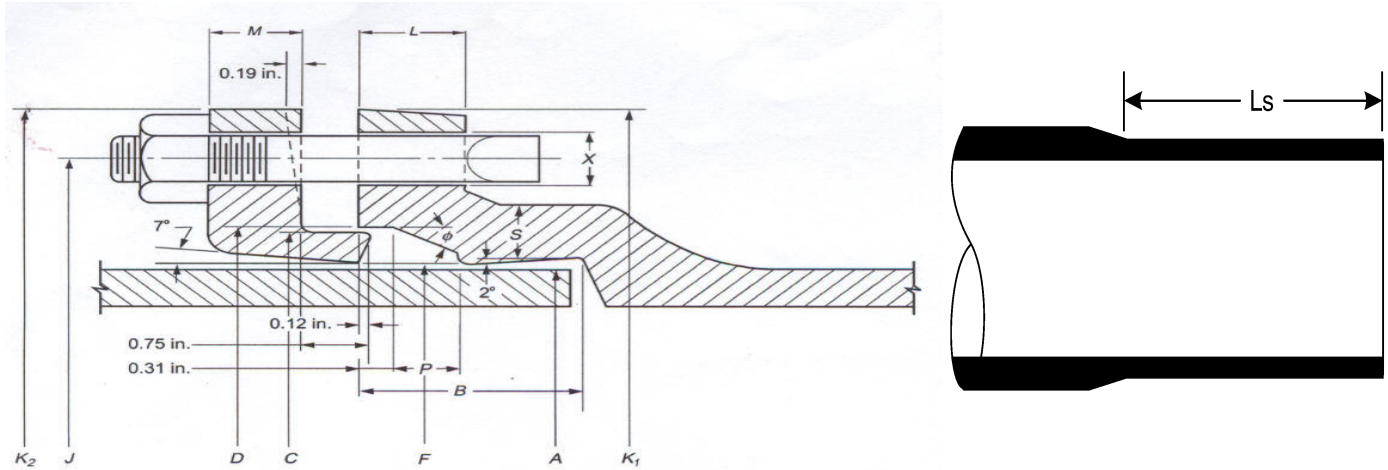
| | |
|----------------------|----|
| SLEEVES | 20 |
|----------------------|----|

| | |
|-------------------------------|----|
| Dual Cutting-In Sleeves | 20 |
| Dual Purpose Sleeves | 20 |

| | |
|---|-------|
| MECHANICAL JOINT ACCESSORIES | 21-22 |
|---|-------|

| |
|---------------------|
| MJ Glands |
| MJ Gaskets |
| Gasket/Bolt Packs |
| Standard Bolts |
| Anti-Rotation Bolts |
| MJ Gland Packs |
| MJ Retainer Glands |
| Retainer Packs |





Mechanical Joint Details

Plain End Details

| Size | A | B | C | D | F | J | K1 | K2 | L | M | P | S | X | Bolts | | | PE Ls |
|------|-------|------|-------|-------|-------|-------|-------|-------|------|------|------|------|-------|-------|-------|-----|-------|
| | | | | | | | | | | | | | | No. | Size | Len | |
| 3 | 3.96 | 2.50 | 4.84 | 4.94 | 4.06 | 6.19 | 7.62 | 7.69 | 0.58 | 0.62 | 0.63 | 0.39 | 3/4 | 4 | 5/8 | 3.0 | 5.5 |
| 4 | 4.80 | 2.50 | 5.92 | 6.02 | 4.90 | 7.50 | 9.06 | 9.12 | 0.60 | 0.75 | 0.75 | 0.39 | 7/8 | 4 | 3/4 | 3.5 | 5.5 |
| 6 | 6.90 | 2.50 | 8.02 | 8.12 | 7.00 | 9.50 | 11.06 | 11.12 | 0.63 | 0.88 | 0.75 | 0.43 | 7/8 | 6 | 3/4 | 3.5 | 5.5 |
| 8 | 9.05 | 2.50 | 10.17 | 10.27 | 9.15 | 11.75 | 13.31 | 13.37 | 0.66 | 1.00 | 0.75 | 0.45 | 7/8 | 6 | 3/4 | 3.5 | 5.5 |
| 10 | 11.10 | 2.50 | 12.22 | 12.34 | 11.20 | 14.00 | 15.62 | 15.62 | 0.70 | 1.00 | 0.75 | 0.47 | 7/8 | 8 | 3/4 | 3.5 | 5.5 |
| 12 | 13.20 | 2.50 | 14.32 | 14.44 | 13.30 | 16.25 | 17.88 | 17.88 | 0.73 | 1.00 | 0.75 | 0.49 | 7/8 | 8 | 3/4 | 3.5 | 5.5 |
| 14 | 15.30 | 3.50 | 16.40 | 16.54 | 15.44 | 18.75 | 20.25 | 20.25 | 0.79 | 1.25 | 0.75 | 0.55 | 7/8 | 10 | 3/4 | 4.0 | 8.0 |
| 16 | 17.40 | 3.50 | 18.50 | 18.64 | 17.54 | 21.00 | 22.50 | 22.50 | 0.85 | 1.31 | 0.75 | 0.58 | 7/8 | 12 | 3/4 | 4.0 | 8.0 |
| 18 | 19.50 | 3.50 | 20.60 | 20.74 | 19.64 | 23.25 | 24.83 | 24.75 | 1.00 | 1.38 | 0.75 | 0.68 | 7/8 | 12 | 3/4 | 4.0 | 8.0 |
| 20 | 21.60 | 3.50 | 22.70 | 22.84 | 21.74 | 25.50 | 27.08 | 27.00 | 1.02 | 1.44 | 0.75 | 0.69 | 7/8 | 14 | 3/4 | 4.0 | 8.0 |
| 24 | 25.80 | 3.50 | 26.90 | 27.04 | 25.94 | 30.00 | 31.58 | 31.50 | 1.02 | 1.56 | 0.75 | 0.75 | 7/8 | 16 | 3/4 | 4.5 | 8.0 |
| 30 | 32.00 | 4.00 | 33.29 | 33.46 | 32.17 | 36.88 | 39.12 | 39.12 | 1.31 | 2.00 | 1.00 | 0.82 | 1 1/8 | 20 | 1 | 5.5 | 8.0 |
| 36 | 38.30 | 4.00 | 39.59 | 39.76 | 38.47 | 43.75 | 46.00 | 46.00 | 1.45 | 2.00 | 1.00 | 1.00 | 1 1/8 | 24 | 1 | 5.5 | 8.0 |
| 42 | 44.50 | 4.00 | 45.79 | 45.96 | 44.67 | 50.62 | 53.12 | 53.12 | 1.45 | 2.00 | 1.00 | 1.25 | 1 3/8 | 28 | 1 1/4 | 6.0 | 8.0 |
| 48 | 50.80 | 4.00 | 52.09 | 52.26 | 50.97 | 57.50 | 60.00 | 60.00 | 1.45 | 2.00 | 1.00 | 1.35 | 1 3/8 | 32 | 1 1/4 | 6.0 | 8.0 |
| 54 | 57.56 | 4.00 | 58.85 | 59.02 | 57.73 | 63.20 | 65.70 | 65.70 | 1.55 | 2.50 | 1.00 | 1.45 | 1 3/8 | 36 | 1 1/4 | | |
| 60 | 61.61 | 4.00 | 62.90 | 63.07 | 61.78 | 67.72 | 70.22 | 70.22 | 1.75 | 2.50 | 1.00 | 1.50 | 1 3/8 | 36 | 1 1/4 | | |
| 64 | 65.67 | 4.00 | 66.96 | 67.13 | 65.84 | 71.86 | 74.36 | 74.36 | 1.75 | 2.50 | 1.00 | 1.57 | 1 3/8 | 38 | 1 1/4 | | |

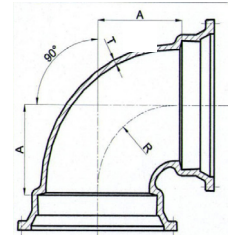


Weights in Pounds, Less Accessories / Dimensions in inches
Ductile Iron Class 350 per ANSI/AWWA C153/A21.53

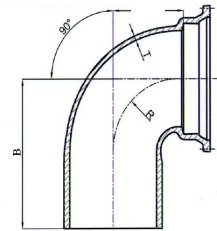
C153 DUCTILE IRON MECHANICAL JOINT FITTINGS

1/4 90° Bends

| Size | MJ x MJ | | | MJ x PE | | | | T |
|------|----------|-------|-------|----------|-------|-------|-------|------|
| | Item No. | Wt. | A | Item No. | Wt. | A | B | |
| 2 | DMB290 | 17 | 3.00 | | | | | 0.30 |
| 3 | DMB390 | 19 | 3.50 | DME390 | 16 | 3.25 | 8.50 | 0.33 |
| 4 | DMB490 | 25 | 4.00 | DME490 | 22 | 4.00 | 9.50 | 0.34 |
| 6 | DMB690 | 39 | 5.00 | DME690 | 41 | 5.00 | 11.50 | 0.36 |
| 8 | DMB890 | 57 | 6.50 | DME890 | 58 | 6.50 | 12.50 | 0.38 |
| 10 | DMB1090 | 89 | 7.50 | DME1090 | 83 | 7.50 | 13.00 | 0.40 |
| 12 | DMB1290 | 108 | 9.00 | DME1290 | 114 | 9.00 | 14.50 | 0.42 |
| 14 | DMB1490 | 210 | 11.50 | DME1490 | 197 | 11.50 | 19.50 | 0.47 |
| 16 | DMB1690 | 264 | 12.50 | DME1690 | 248 | 12.50 | 20.50 | 0.50 |
| 18 | DMB1890 | 335 | 14.00 | DME1890 | 325 | 14.00 | 21.00 | 0.54 |
| 20 | DMB2090 | 400 | 15.00 | DME2090 | 390 | 15.00 | 22.50 | 0.57 |
| 24 | DMB2490 | 565 | 16.75 | DME2490 | 575 | 17.00 | 25.00 | 0.61 |
| 30 | DMB3090 | 930 | 21.50 | DME3090 | 865 | 21.50 | 30.50 | 0.66 |
| 36 | DMB3690 | 1,450 | 24.50 | DME3690 | 1,355 | 24.50 | 33.50 | 0.74 |
| 42 | DMB4290 | 2,205 | 29.25 | DME4290 | 2,055 | 29.25 | 38.25 | 0.82 |
| 48 | DMB4890 | 2,990 | 33.25 | DME4890 | 2,805 | 33.25 | 42.25 | 0.90 |
| 54 | DMB5490 | 3,600 | 36.50 | DME5490 | 3,802 | 36.50 | 47.00 | 1.00 |
| 60 | DMB6090 | 4,414 | 40.00 | | | | | 1.05 |
| 64 | DMB6490 | 5,084 | 42.00 | | | | | 1.11 |



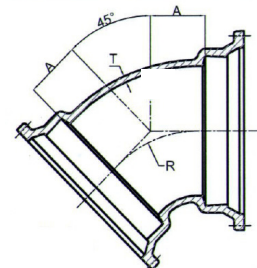
MJ x MJ Bend 90°



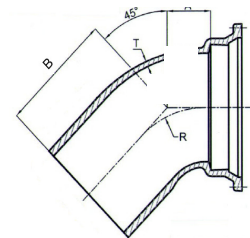
MJ x PE Bend 90°

1/8 45° Bends

| Size | MJ x MJ | | | MJ x PE | | | | T |
|------|----------|-------|-------|----------|-------|-------|-------|------|
| | Item No. | Wt. | A | Item No. | Wt. | A | B | |
| 2 | DMB245 | 10 | 1.50 | | | | | 0.33 |
| 3 | DMB345 | 16 | 1.50 | DME345 | 13 | 1.50 | 7.00 | 0.33 |
| 4 | DMB445 | 22 | 2.00 | DME445 | 19 | 2.00 | 7.50 | 0.34 |
| 6 | DMB645 | 32 | 3.00 | DME645 | 34 | 3.00 | 8.50 | 0.36 |
| 8 | DMB845 | 46 | 3.50 | DME845 | 49 | 3.50 | 9.00 | 0.38 |
| 10 | DMB1045 | 70 | 4.50 | DME1045 | 69 | 4.50 | 10.00 | 0.40 |
| 12 | DMB1245 | 86 | 5.50 | DME1245 | 93 | 5.50 | 11.00 | 0.42 |
| 14 | DMB1445 | 160 | 5.00 | DME1445 | 146 | 5.00 | 13.00 | 0.47 |
| 16 | DMB1645 | 202 | 5.50 | DME1645 | 184 | 5.50 | 13.50 | 0.50 |
| 18 | DMB1845 | 250 | 6.00 | DME1845 | 235 | 6.00 | 13.00 | 0.54 |
| 20 | DMB2045 | 305 | 7.00 | DME2045 | 290 | 7.00 | 14.00 | 0.57 |
| 24 | DMB2445 | 405 | 7.50 | DME2445 | 390 | 7.50 | 14.50 | 0.61 |
| 30 | DMB3045 | 780 | 10.50 | DME3045 | 715 | 10.50 | 19.50 | 0.66 |
| 36 | DMB3645 | 1,135 | 11.50 | DME3645 | 1,040 | 12.00 | 21.00 | 0.74 |
| 42 | DMB4245 | 1,610 | 14.00 | DME4245 | 1,460 | 14.00 | 23.00 | 0.82 |
| 48 | DMB4845 | 2,090 | 15.00 | DME4845 | 1,905 | 15.00 | 24.00 | 0.90 |
| 54 | DMB5445 | 2,789 | 20.50 | | | | | 1.00 |
| 60 | DMB6045 | 3,103 | 20.00 | | 3,191 | 21.50 | 31.25 | 1.05 |
| 64 | DMB6445 | 3,701 | 22.25 | | | | | 1.11 |



MJ x MJ Bend 45°



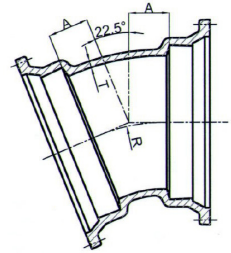
MJ x PE Bend 45°

Weights in Pounds, Less Accessories / Dimensions in inches
Ductile Iron Class 350 per ANSI/AWWA C153/A21.53

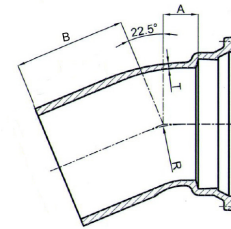


1/16 22 1/2° Bends

| Size | MJ x MJ | | | MJ x PE | | | | T |
|------|----------|-------|-------|----------|-------|-------|-------|------|
| | Item No. | Wt. | A | Item No. | Wt. | A | B | |
| 2 | DMB222 | | 1.00 | | | | | 0.33 |
| 3 | DMB322 | 15 | 1.00 | DME322 | 12 | 1.00 | 6.50 | 0.33 |
| 4 | DMB422 | 18 | 1.50 | DME422 | 18 | 1.50 | 7.00 | 0.34 |
| 6 | DMB622 | 31 | 2.00 | DME622 | 29 | 2.00 | 7.50 | 0.36 |
| 8 | DMB622 | 46 | 2.50 | DME822 | 43 | 2.50 | 8.00 | 0.38 |
| 10 | DMB1022 | 64 | 3.00 | DME1022 | 61 | 3.00 | 8.50 | 0.40 |
| 12 | DMB1222 | 80 | 3.50 | DME1222 | 79 | 3.50 | 9.00 | 0.42 |
| 14 | DMB1422 | 136 | 3.75 | DME1422 | 133 | 3.75 | 11.25 | 0.47 |
| 16 | DMB1622 | 172 | 3.75 | DME1622 | 166 | 3.75 | 11.75 | 0.50 |
| 18 | DMB1822 | 255 | 4.50 | DME1822 | 235 | 6.00 | 13.00 | 0.54 |
| 20 | DMB2022 | 310 | 4.50 | DME2022 | 300 | 7.00 | 14.00 | 0.57 |
| 24 | DMB2422 | 412 | 4.50 | DME2422 | 395 | 7.50 | 14.50 | 0.61 |
| 30 | DMB3022 | 665 | 6.75 | DME3022 | 600 | 6.75 | 15.75 | 0.66 |
| 36 | DMB3622 | 960 | 7.75 | DME3622 | 865 | 7.75 | 16.75 | 0.74 |
| 42 | DMB4222 | 1,350 | 9.00 | DME4222 | 1,200 | 9.00 | 18.00 | 0.82 |
| 48 | DMB4822 | 1,760 | 10.00 | DME4822 | 1,575 | 10.00 | 19.00 | 0.90 |
| 54 | DMB5422 | 1,976 | 10.25 | | | | | 1.00 |
| 60 | DMB6022 | 2,237 | 10.75 | | | | | 1.05 |
| 64 | DMB6422 | 2,517 | 11.00 | | | | | 1.11 |



MJ x MJ Bend 22-1/2°



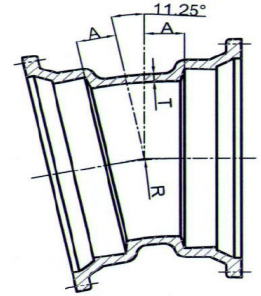
MJ x PE Bend 22-1/2°


 Weights in Pounds, Less Accessories / Dimensions in inches
 Ductile Iron Class 350 per ANSI/AWWA C153/A21.53

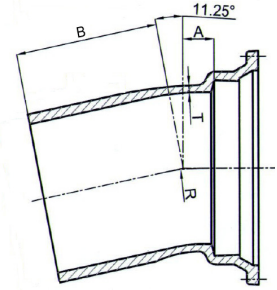
C153 DUCTILE IRON MECHANICAL JOINT FITTINGS

11/32 11-1/4° Bends

| Size | MJ x MJ | | | MJ x PE | | | | T |
|------|----------|-------|------|----------|-------|------|-------|------|
| | Item No. | Wt. | A | Item No. | Wt. | A | B | |
| 3 | DMB311 | 14 | 1.00 | DME311 | 12 | 1.00 | 6.50 | 0.33 |
| 4 | DMB411 | 16 | 1.25 | DME411 | 17 | 1.25 | 6.25 | 0.34 |
| 6 | DMB611 | 30 | 1.50 | DME611 | 27 | 1.50 | 7.00 | 0.36 |
| 8 | DMB811 | 42 | 1.75 | DME811 | 39 | 1.75 | 7.25 | 0.38 |
| 10 | DMB1011 | 58 | 2.00 | DME1011 | 52 | 2.00 | 7.50 | 0.40 |
| 12 | DMB1211 | 67 | 2.25 | DME1211 | 69 | 2.25 | 7.75 | 0.42 |
| 14 | DMB1411 | 93 | 2.50 | DME1411 | 118 | 2.50 | 10.50 | 0.47 |
| 16 | DMB1611 | 148 | 2.50 | DME1611 | 136 | 2.50 | 10.50 | 0.50 |
| 18 | DMB1811 | 205 | 3.00 | DME1811 | 235 | 6.00 | 13.00 | 0.54 |
| 20 | DMB2011 | 245 | 3.00 | DME2011 | 300 | 7.00 | 14.00 | 0.57 |
| 24 | DMB2411 | 315 | 3.00 | DME2411 | 400 | 7.50 | 14.50 | 0.61 |
| 30 | DMB3011 | 600 | 4.75 | DME3011 | 535 | 4.75 | 13.75 | 0.66 |
| 36 | DMB3611 | 820 | 5.00 | DME3611 | 725 | 5.00 | 14.00 | 0.74 |
| 42 | DMB4211 | 1,180 | 6.00 | DME4112 | 1,030 | 6.00 | 15.00 | 0.82 |
| 48 | DMB4811 | 1,475 | 6.50 | DME4811 | 1,290 | 6.50 | 15.50 | 0.90 |
| 54 | DMB5411 | 1,539 | 5.00 | | | | | 1.00 |
| 60 | DMB6011 | 1,869 | 7.00 | | | | | 1.05 |
| 64 | DMB6411 | 2,072 | 7.00 | | | | | 1.11 |



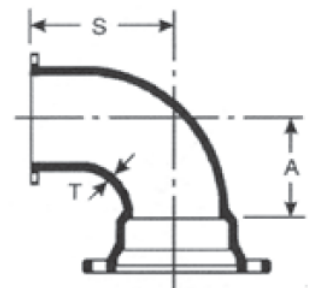
MJ x MJ 11-1/4° Bend



MJ x PE 11-1/4° Bend

90° Bends: MJ X Flange

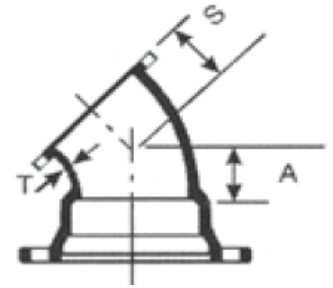
| Size | Item No. | A | S | T | Wt. |
|------|----------|-------|-------|------|-------|
| 3 | MFB390 | 3.50 | 5.50 | 0.33 | 21 |
| 4 | MFB490 | 4.00 | 6.50 | 0.34 | 28 |
| 6 | MFB690 | 5.00 | 8.00 | 0.36 | 46 |
| 8 | MFB890 | 6.50 | 9.00 | 0.38 | 71 |
| 10 | MFB1090 | 7.50 | 11.00 | 0.40 | 121 |
| 12 | MFB1290 | 9.00 | 12.00 | 0.42 | 155 |
| 14 | MFB1490 | 11.50 | 14.00 | 0.47 | 208 |
| 16 | MFB1690 | 12.50 | 15.00 | 0.50 | 280 |
| 18 | MFB1890 | 14.00 | 16.50 | 0.54 | 332 |
| 20 | MFB2090 | 15.00 | 18.00 | 0.57 | 441 |
| 24 | MFB2490 | 16.75 | 22.00 | 0.61 | 618 |
| 30 | MFB3090 | 21.50 | 25.00 | 0.66 | 994 |
| 36 | MFB3690 | 24.50 | 28.00 | 0.74 | 1,462 |
| 42 | MFB4290 | 29.25 | 31.00 | 0.82 | 21,12 |
| 48 | MFB4890 | 33.25 | 34.00 | 0.90 | 2,816 |



MJ x Flange 90° Bend

45° Bends: MJ x Flange

| Size | Item No. | A | S | T | Wt. |
|------|----------|-------|-------|------|-------|
| 3 | MFB345 | 1.50 | 3.00 | 0.33 | 17 |
| 4 | MFB445 | 2.00 | 4.00 | 0.34 | 34 |
| 6 | MFB645 | 3.00 | 5.00 | 0.36 | 57 |
| 8 | MFB845 | 3.50 | 5.50 | 0.38 | 83 |
| 10 | MFB1045 | 4.50 | 6.50 | 0.40 | 122 |
| 12 | MFB1245 | 5.50 | 7.50 | 0.42 | 159 |
| 14 | MFB1445 | 5.00 | 7.50 | 0.47 | 162 |
| 16 | MFB1645 | 5.50 | 8.00 | 0.50 | 290 |
| 18 | MFB1845 | 6.00 | 8.50 | 0.54 | 252 |
| 20 | MFB2045 | 7.00 | 9.50 | 0.57 | 338 |
| 24 | MFB2445 | 7.50 | 11.00 | 0.61 | 442 |
| 30 | MFB3045 | 10.50 | 15.00 | 0.66 | 765 |
| 36 | MFB3645 | 11.50 | 18.00 | 0.74 | 1,167 |
| 42 | MFB4245 | 14.00 | 21.00 | 0.82 | 1,720 |
| 48 | MFB4845 | 15.00 | 24.00 | 0.90 | 2,276 |

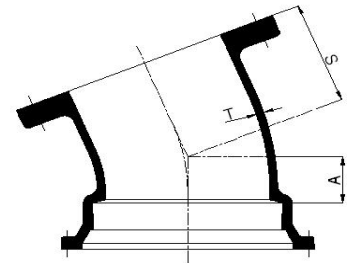


MJ x Flange 45° Bend

C153 DUCTILE IRON MECHANICAL JOINT FITTINGS

22 1/2° Bends: MJ X Flange

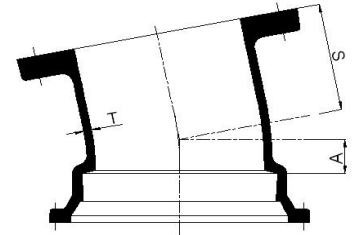
| Size | Item No. | A | S | T | Wt. |
|------|----------|-------|-------|------|-------|
| 3 | MFB322 | 1.00 | 3.00 | 0.33 | 15 |
| 4 | MFB422 | 1.50 | 4.00 | 0.34 | 23 |
| 6 | MFB622 | 2.00 | 5.00 | 0.36 | 37 |
| 8 | MFB822 | 2.50 | 5.50 | 0.38 | 56 |
| 10 | MFB1022 | 3.00 | 6.50 | 0.40 | 81 |
| 12 | MFB1222 | 3.50 | 7.50 | 0.42 | 114 |
| 14 | MFB1422 | 3.75 | 7.50 | 0.47 | 158 |
| 16 | MFB1622 | 3.75 | 8.00 | 0.50 | 198 |
| 18 | MFB1822 | 4.50 | 8.50 | 0.54 | 244 |
| 20 | MFB2022 | 4.50 | 9.50 | 0.57 | 317 |
| 24 | MFB2422 | 4.50 | 11.00 | 0.61 | 417 |
| 30 | MFB3022 | 6.75 | 15.00 | 0.66 | 723 |
| 36 | MFB3622 | 7.75 | 18.00 | 0.74 | 1,108 |
| 42 | MFB4222 | 9.00 | 21.00 | 0.82 | 1,583 |
| 48 | MFB4822 | 10.00 | 24.00 | 0.90 | 2,156 |



MJ x Flange 22 1/2° Bend

11 1/4° Bends: MJ X Flange

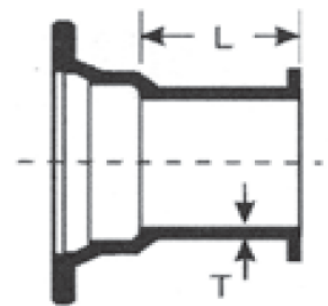
| Size | Item No. | A | S | T | Wt. |
|------|----------|------|-------|------|-------|
| 3 | MFB311 | 1.00 | 3.00 | 0.33 | 15 |
| 4 | MFB411 | 1.25 | 4.00 | 0.34 | 23 |
| 6 | MFB611 | 1.50 | 5.00 | 0.36 | 36 |
| 8 | MFB811 | 1.75 | 5.50 | 0.38 | 54 |
| 10 | MFB1011 | 2.00 | 6.50 | 0.40 | 78 |
| 12 | MFB1211 | 2.25 | 7.50 | 0.42 | 110 |
| 14 | MFB1411 | 2.50 | 7.50 | 0.47 | 148 |
| 16 | MFB1611 | 2.50 | 8.00 | 0.50 | 187 |
| 18 | MFB1811 | 3.00 | 8.50 | 0.54 | 229 |
| 20 | MFB2011 | 3.00 | 9.50 | 0.57 | 284 |
| 24 | MFB2411 | 3.00 | 11.00 | 0.61 | 395 |
| 30 | MFB3011 | 4.75 | 15.00 | 0.66 | 683 |
| 36 | MFB3611 | 5.00 | 18.00 | 0.74 | 1,042 |
| 42 | MFB4211 | 6.00 | 21.00 | 0.82 | 1,528 |
| 48 | MFB4811 | 6.50 | 24.00 | 0.90 | 2,024 |



MJ x Flange 11 1/4° Bend

Adapters: MJ X Flange

| Size | Item No. | L | T | Wt. |
|------|----------|-------|------|-------|
| 3 | MFA3 | 3.50 | 0.33 | 18 |
| 4 | MFA4 | 3.50 | 0.34 | 24 |
| 6 | MFA6 | 3.50 | 0.36 | 36 |
| 8 | MFA8 | 3.75 | 0.38 | 54 |
| 10 | MFA10 | 3.75 | 0.40 | 70 |
| 12 | MFA12 | 3.75 | 0.42 | 95 |
| 14 | MFA14 | 5.00 | 0.47 | 141 |
| 16 | MFA16 | 5.00 | 0.50 | 170 |
| 18 | MFA18 | 5.00 | 0.54 | 225 |
| 20 | MFA20 | 5.00 | 0.57 | 275 |
| 24 | MFA24 | 5.00 | 0.61 | 324 |
| 30 | MFA30 | 7.00 | 0.66 | 558 |
| 36 | MFA36 | 7.00 | 0.74 | 796 |
| 42 | MFA42 | 7.00 | 0.82 | 1190 |
| 48 | MFA48 | 7.00 | 0.90 | 1653 |
| 54 | MFA54 | 10.00 | 1.00 | 1,619 |
| 60 | MFA60 | 12.00 | 1.05 | 1,966 |



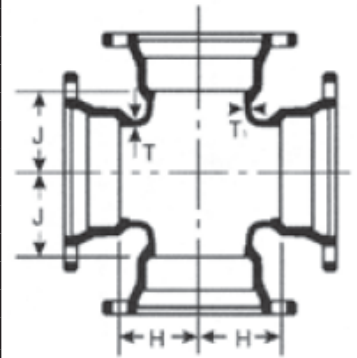
MJ x Flange Adapters

Weights in Pounds, Less Accessories / Dimensions in inches
Ductile Iron Class 350 per ANSI/AWWA C153/A21.53



Crosses

| Size | | Item No. | H | J | T | T1 | Wt. |
|------|--------|----------|-------|-------|------|------|-----|
| Run | Branch | | | | | | |
| 3 | 3 | DMC33 | 3.00 | 3.00 | 0.33 | 0.33 | 35 |
| 4 | 3 | DMC43 | 3.50 | 4.00 | 0.34 | 0.33 | 49 |
| 4 | 4 | DMC44 | 4.00 | 4.00 | 0.34 | 0.34 | 40 |
| 6 | 3 | DMC63 | 3.50 | 5.00 | 0.36 | 0.33 | 49 |
| 6 | 4 | DMC64 | 4.00 | 5.00 | 0.36 | 0.34 | 68 |
| 6 | 6 | DMC66 | 5.00 | 5.00 | 0.36 | 0.36 | 75 |
| 8 | 4 | DMC84 | 4.00 | 6.50 | 0.38 | 0.34 | 99 |
| 8 | 6 | DMC86 | 5.00 | 6.50 | 0.38 | 0.36 | 108 |
| 8 | 8 | DMC88 | 6.00 | 6.00 | 0.38 | 0.38 | 105 |
| 10 | 3 | DMC103 | 3.00 | 7.50 | 0.40 | 0.33 | 115 |
| 10 | 4 | DMC104 | 4.00 | 7.50 | 0.40 | 0.34 | 98 |
| 10 | 6 | DMC106 | 5.00 | 7.50 | 0.40 | 0.36 | 118 |
| 10 | 8 | DMC108 | 6.50 | 7.50 | 0.40 | 0.38 | 138 |
| 10 | 10 | DMC1010 | 7.00 | 7.00 | 0.40 | 0.40 | 145 |
| 12 | 4 | DMC124 | 4.00 | 8.75 | 0.42 | 0.34 | 100 |
| 12 | 6 | DMC126 | 5.00 | 8.75 | 0.42 | 0.36 | 140 |
| 12 | 8 | DMC128 | 6.50 | 8.75 | 0.42 | 0.38 | 162 |
| 12 | 10 | DMC1210 | 7.50 | 8.75 | 0.42 | 0.40 | 190 |
| 12 | 12 | DMC1212 | 8.50 | 8.50 | 0.42 | 0.42 | 213 |
| 14 | 4 | DMC144 | 5.50 | 10.50 | 0.47 | 0.34 | 162 |
| 14 | 6 | DMC146 | 6.50 | 10.50 | 0.47 | 0.36 | 181 |
| 14 | 8 | DMC148 | 7.50 | 10.50 | 0.47 | 0.38 | 259 |
| 14 | 10 | DMC1410 | 8.50 | 10.50 | 0.47 | 0.40 | 223 |
| 14 | 12 | DMC1412 | 9.50 | 10.50 | 0.47 | 0.42 | 244 |
| 14 | 14 | DMC 1414 | 10.50 | 10.50 | 0.47 | 0.47 | 299 |
| 16 | 6 | DMC166 | 6.50 | 11.50 | 0.50 | 0.36 | 250 |
| 16 | 8 | DMC168 | 7.50 | 11.50 | 0.50 | 0.38 | 289 |
| 16 | 10 | DMC 1610 | 8.50 | 11.50 | 0.50 | 0.40 | 345 |
| 16 | 12 | DMC 1612 | 9.50 | 11.50 | 0.50 | 0.42 | 397 |
| 16 | 14 | DMC1614 | 10.50 | 11.50 | 0.50 | 0.47 | 333 |
| 16 | 16 | DMC 1616 | 11.50 | 11.50 | 0.50 | 0.50 | 385 |
| 18 | 6 | DMC186 | 6.50 | 12.50 | 0.54 | 0.36 | 260 |
| 18 | 8 | DMC188 | 7.50 | 12.50 | 0.54 | 0.38 | 282 |
| 18 | 10 | DMC1810 | 8.50 | 12.50 | 0.54 | 0.40 | 308 |
| 18 | 12 | DMC1812 | 9.50 | 12.50 | 0.54 | 0.42 | 348 |
| 18 | 14 | DMC1814 | 10.50 | 12.50 | 0.54 | 0.47 | 384 |
| 18 | 16 | DMC1816 | 11.50 | 12.50 | 0.54 | 0.50 | |
| 18 | 18 | DMC1818 | 12.50 | 12.50 | 0.54 | 0.54 | 630 |
| 20 | 6 | DMC206 | 6.50 | 14.00 | 0.57 | 0.36 | 306 |
| 20 | 8 | DMC208 | 8.00 | 14.00 | 0.57 | 0.38 | 341 |
| 20 | 10 | DMC2010 | 9.00 | 14.00 | 0.57 | 0.40 | 370 |
| 20 | 12 | DMC2012 | 10.00 | 14.00 | 0.57 | 0.42 | 392 |
| 20 | 14 | DMC2014 | 11.00 | 14.00 | 0.57 | 0.47 | 451 |
| 20 | 16 | DMC2016 | 12.00 | 14.00 | 0.57 | 0.50 | 634 |
| 20 | 18 | DMC2018 | 13.00 | 14.00 | 0.57 | 0.54 | 547 |
| 20 | 20 | DMC2020 | 14.00 | 14.00 | 0.57 | 0.57 | 605 |
| 24 | 6 | DMC246 | 7.00 | 16.00 | 0.61 | 0.36 | 403 |
| 24 | 8 | DMC248 | 8.00 | 16.00 | 0.61 | 0.38 | 431 |
| 24 | 10 | DMC2410 | 9.00 | 16.00 | 0.61 | 0.40 | 465 |
| 24 | 12 | DMC2412 | 10.00 | 16.00 | 0.61 | 0.42 | 494 |
| 24 | 14 | DMC2414 | 11.00 | 16.00 | 0.61 | 0.47 | 553 |
| 24 | 16 | DMC2416 | 12.00 | 16.00 | 0.61 | 0.50 | 714 |
| 24 | 18 | DMC2418 | 13.00 | 16.00 | 0.61 | 0.54 | |
| 24 | 20 | DMC2020 | 14.00 | 16.00 | 0.61 | 0.57 | 809 |
| 24 | 24 | DMC2424 | 16.00 | 16.00 | 0.61 | 0.61 | 830 |

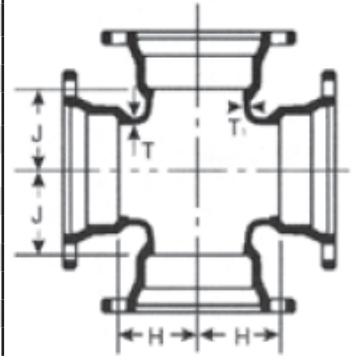


MJ Cross

C153 DUCTILE IRON MECHANICAL JOINT FITTINGS

Crosses (Continued)

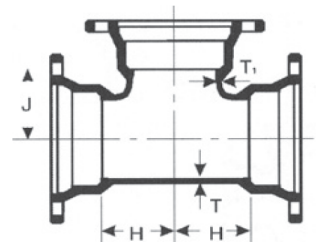
| Size | | Item No. | H | J | T | T1 | Wt. |
|------|--------|----------|-------|-------|------|------|-------|
| Run | Branch | | | | | | |
| 30 | 6 | DMC306 | 8.50 | 20.00 | 0.66 | 0.36 | 664 |
| 30 | 8 | DMC308 | 8.50 | 20.00 | 0.66 | 0.38 | 670 |
| 30 | 12 | DMC3012 | 10.00 | 20.00 | 0.66 | 0.42 | 733 |
| 30 | 16 | DMC3016 | 12.50 | 20.00 | 0.66 | 0.50 | 866 |
| 30 | 20 | DMC3020 | 15.00 | 20.00 | 0.66 | 0.57 | 991 |
| 30 | 24 | DMC3024 | 16.00 | 20.00 | 0.66 | 0.61 | 1,083 |
| 30 | 30 | DMC3030 | 22.00 | 22.00 | 0.66 | 0.66 | 1,840 |
| 36 | 8 | DMC368 | 10.00 | 22.50 | 0.74 | 0.38 | |
| 36 | 16 | DMC3616 | 15.00 | 23.50 | 0.74 | 0.50 | 1,279 |
| 36 | 18 | DMC3618 | 13.00 | 23.50 | 0.74 | 0.54 | 1,166 |
| 36 | 20 | DMC3620 | 15.00 | 23.50 | 0.74 | 0.57 | |
| 36 | 24 | DMC3624 | 16.00 | 23.50 | 0.74 | 0.61 | 1,433 |
| 36 | 30 | DMC3630 | 20.00 | 23.50 | 0.74 | 0.66 | |
| 36 | 36 | DMC3636 | 26.00 | 26.00 | 0.74 | 0.74 | 2,655 |
| 42 | 12 | DMC4212 | 12.50 | 27.50 | 0.82 | 0.42 | 1,511 |
| 42 | 16 | DMC4216 | 13.00 | 27.50 | 0.82 | 0.50 | 1,578 |
| 42 | 24 | DMC4224 | 20.00 | 27.50 | 0.82 | 0.61 | 2,055 |
| 42 | 30 | DMC4230 | 22.00 | 29.50 | 0.82 | 0.66 | 2,950 |
| 42 | 36 | DMC4236 | 30.00 | 30.00 | 0.82 | 0.74 | 3,955 |
| 42 | 42 | DMC4242 | 30.00 | 30.00 | 0.82 | 0.82 | 3,725 |
| 48 | 12 | DMC4812 | 12.50 | 32.00 | 0.90 | 0.42 | 1,897 |
| 48 | 16 | DMC4816 | 23.00 | 32.00 | 0.90 | 0.50 | 2,616 |
| 48 | 24 | DMC4824 | 23.00 | 32.00 | 0.90 | 0.61 | 2,766 |
| 48 | 30 | DMC4830 | 23.00 | 32.00 | 0.90 | 0.66 | 4,500 |
| 48 | 36 | DMC4836 | 33.50 | 32.25 | 0.90 | 0.74 | 3,719 |
| 48 | 42 | DMC4842 | 33.5 | 33.5 | 0.90 | 0.82 | 4,089 |
| 48 | 48 | DMC4848 | 33.5 | 33.5 | 0.90 | 0.90 | 4,955 |
| 54 | 54 | DMC5454 | 35.8 | 35.8 | 1.00 | 1.00 | 5,327 |



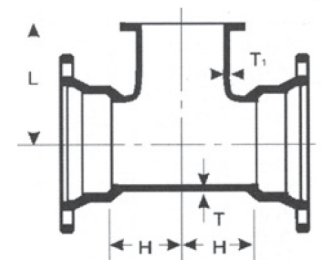
MJ Cross

Tees

| SIZE | | MJ x MJ | | | | | | MJ x Flange | | | |
|------|--------|----------|-----|------|------|------|------|-------------|-----|------|-------|
| Run | Branch | Item No. | Wt. | H | J | T | T1 | Item No. | Wt. | H | L |
| 2 | 2 | DMT22 | 16 | 3.00 | 3.00 | 0.30 | 0.30 | | | | |
| 3 | 3 | DMT33 | 28 | 3.00 | 3.00 | 0.33 | 0.33 | DMF33 | 28 | 3.00 | 5.50 |
| 4 | 2 | DMT42 | 29 | 3.50 | 4.00 | 0.34 | 0.30 | | | | |
| 4 | 3 | DMT43 | 30 | 3.50 | 4.00 | 0.34 | 0.33 | DMF43 | 30 | 3.50 | 6.50 |
| 4 | 4 | DMT44 | 32 | 4.00 | 4.00 | 0.34 | 0.34 | DMF44 | 38 | 4.00 | 6.50 |
| 6 | 3 | DMT63 | 42 | 3.50 | 5.00 | 0.36 | 0.33 | DMF63 | 51 | 3.50 | 8.00 |
| 6 | 4 | DMT64 | 46 | 4.00 | 5.00 | 0.36 | 0.34 | DMF64 | 54 | 4.00 | 8.00 |
| 6 | 6 | DMT66 | 56 | 5.00 | 5.00 | 0.36 | 0.36 | DMF66 | 56 | 5.00 | 8.00 |
| 8 | 3 | DMT83 | 52 | 4.00 | 6.50 | 0.38 | 0.33 | DMF83 | 70 | 4.00 | 9.00 |
| 8 | 4 | DMT84 | 60 | 4.00 | 6.50 | 0.38 | 0.34 | DMF84 | 72 | 4.00 | 9.00 |
| 8 | 6 | DMT86 | 72 | 5.00 | 6.50 | 0.38 | 0.36 | DMF86 | 83 | 5.00 | 9.00 |
| 8 | 8 | DMT88 | 86 | 6.50 | 6.50 | 0.38 | 0.38 | DMF88 | 94 | 6.50 | 9.00 |
| 10 | 3 | DMT103 | 75 | 4.00 | 7.50 | 0.40 | 0.33 | | | | |
| 10 | 4 | DMT104 | 78 | 4.00 | 7.50 | 0.40 | 0.34 | DMF104 | 89 | 4.00 | 11.00 |
| 10 | 6 | DMT106 | 90 | 5.00 | 7.50 | 0.40 | 0.36 | DMF106 | 107 | 5.00 | 11.00 |
| 10 | 8 | DMT108 | 105 | 6.50 | 7.50 | 0.40 | 0.38 | DMF108 | 115 | 6.50 | 11.00 |
| 10 | 10 | DMT1010 | 120 | 7.50 | 7.50 | 0.40 | 0.40 | DMF1010 | 130 | 7.50 | 11.00 |
| 12 | 3 | DMT123 | 90 | 4.00 | 8.75 | 0.42 | 0.33 | | | | |
| 12 | 4 | DMT124 | 94 | 4.00 | 8.75 | 0.42 | 0.34 | DMF124 | 115 | 4.00 | 12.00 |
| 12 | 6 | DMT126 | 110 | 5.00 | 8.75 | 0.42 | 0.36 | DMF126 | 120 | 5.00 | 12.00 |
| 12 | 8 | DMT128 | 125 | 6.50 | 8.75 | 0.42 | 0.38 | DMF128 | 146 | 6.50 | 12.00 |
| 12 | 10 | DMT1210 | 140 | 7.50 | 8.75 | 0.42 | 0.40 | DMF1210 | 174 | 7.50 | 12.00 |
| 12 | 12 | DMT1212 | 160 | 8.75 | 8.75 | 0.42 | 0.42 | DMF1212 | 198 | 8.75 | 12.00 |



MJ x MJ

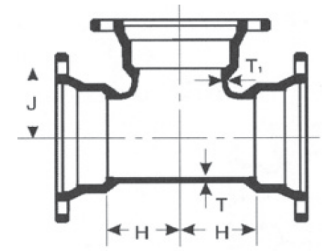


MJ x Flange

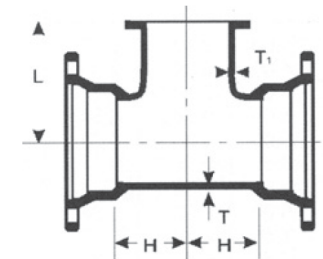
Weights in Pounds, Less Accessories / Dimensions in inches
Ductile Iron Class 350 per ANSI/AWWA C153/A21.53

Tees (Continued)

| SIZE | | MJ x MJ | | | | | | MJ x Flange | | | |
|------|--------|----------|-------|-------|-------|------|------|-------------|-------|-------|-------|
| Run | Branch | Item No. | Wt. | H | J | T | T1 | Item No. | Wt. | H | L |
| 14 | 3 | DMT143 | | 5.50 | 10.50 | 0.47 | 0.33 | | | | |
| 14 | 4 | DMT144 | 172 | 5.50 | 10.50 | 0.47 | 0.34 | DMF144 | 161 | 5.50 | 14.00 |
| 14 | 6 | DMT146 | 182 | 6.50 | 10.50 | 0.47 | 0.36 | DMF146 | 177 | 6.50 | 14.00 |
| 14 | 8 | DMT148 | 206 | 7.50 | 10.50 | 0.47 | 0.38 | DMF148 | 199 | 7.50 | 14.00 |
| 14 | 10 | DMT1410 | 228 | 8.50 | 10.50 | 0.47 | 0.40 | DMF1410 | | 8.50 | 14.00 |
| 14 | 12 | DMT1412 | 234 | 9.50 | 10.50 | 0.47 | 0.42 | DMF1412 | 276 | 9.50 | 14.00 |
| 14 | 14 | DMT1414 | 280 | 10.50 | 10.50 | 0.47 | 0.47 | DMF1414 | 277 | 10.50 | 14.00 |
| 16 | 3 | DMT163 | | 6.50 | 11.50 | 0.50 | 0.33 | | | | |
| 16 | 4 | DMT164 | 316 | 6.50 | 11.50 | 0.50 | 0.34 | | | | |
| 16 | 6 | DMT166 | 228 | 6.50 | 11.50 | 0.50 | 0.36 | DMF166 | 213 | 6.50 | 15.00 |
| 16 | 8 | DMT168 | 248 | 7.50 | 11.50 | 0.50 | 0.38 | DMF168 | 260 | 7.50 | 15.00 |
| 16 | 10 | DMT1610 | 264 | 8.50 | 11.50 | 0.50 | 0.40 | DMF1610 | 287 | 8.50 | 15.00 |
| 16 | 12 | DMT1612 | 280 | 9.50 | 11.50 | 0.50 | 0.42 | DMF1612 | 312 | 9.50 | 15.00 |
| 16 | 14 | DMT1614 | 316 | 10.50 | 11.50 | 0.50 | 0.47 | DMF1614 | 360 | 10.50 | 15.00 |
| 16 | 16 | DMT1616 | 322 | 11.50 | 11.50 | 0.50 | 0.50 | DMF1616 | 374 | 11.50 | 15.00 |
| 18 | 6 | DMT186 | 275 | 6.50 | 12.50 | 0.54 | 0.36 | DMF186 | 321 | 6.50 | 15.50 |
| 18 | 8 | DMT188 | 295 | 7.50 | 12.50 | 0.54 | 0.38 | DMF188 | 340 | 7.50 | 15.50 |
| 18 | 10 | DMT1810 | 315 | 8.50 | 12.50 | 0.54 | 0.40 | DMF1810 | | 8.50 | 15.50 |
| 18 | 12 | DMT1812 | 335 | 9.50 | 12.50 | 0.54 | 0.42 | DMF1812 | | 9.50 | 15.50 |
| 18 | 14 | DMT1814 | 380 | 10.50 | 12.50 | 0.54 | 0.47 | DMF1814 | | 10.50 | 16.50 |
| 18 | 16 | DMT1816 | 405 | 11.50 | 12.50 | 0.54 | 0.50 | DMF1816 | 440 | 11.50 | 16.50 |
| 18 | 18 | DMT1818 | 435 | 12.50 | 12.50 | 0.54 | 0.54 | DMF1818 | 445 | 12.50 | 16.50 |
| 20 | 6 | DMT206 | 315 | 6.50 | 14.00 | 0.57 | 0.36 | DMF206 | 345 | 6.50 | 17.00 |
| 20 | 8 | DMT208 | 345 | 8.00 | 14.00 | 0.57 | 0.38 | DMF208 | 384 | 8.00 | 17.00 |
| 20 | 10 | DMT2010 | 370 | 9.00 | 14.00 | 0.57 | 0.40 | DMF2010 | 367 | 9.00 | 17.00 |
| 20 | 12 | DMT2012 | 395 | 10.00 | 14.00 | 0.57 | 0.42 | DMF2012 | 402 | 10.00 | 17.00 |
| 20 | 14 | DMT2014 | 440 | 11.00 | 14.00 | 0.57 | 0.47 | DMF2014 | 435 | 11.00 | 17.00 |
| 20 | 16 | DMT2016 | 465 | 12.00 | 14.00 | 0.57 | 0.50 | DMF2016 | 477 | 12.00 | 18.00 |
| 20 | 18 | DMT2018 | 505 | 13.00 | 14.00 | 0.57 | 0.54 | DMF2018 | 507 | 13.00 | 18.00 |
| 20 | 20 | DMT2020 | 535 | 14.00 | 14.00 | 0.57 | 0.57 | DMF2020 | 554 | 14.00 | 18.00 |
| 24 | 6 | DMT246 | 415 | 7.00 | 16.00 | 0.61 | 0.36 | DMF246 | 460 | 7.00 | 19.00 |
| 24 | 8 | DMT248 | 445 | 8.00 | 16.00 | 0.61 | 0.38 | DMF248 | 418 | 8.00 | 19.00 |
| 24 | 10 | DMT2410 | 470 | 9.00 | 16.00 | 0.61 | 0.40 | DMF2410 | 462 | 9.00 | 19.00 |
| 24 | 12 | DMT2412 | 500 | 10.00 | 16.00 | 0.61 | 0.42 | DMF2412 | 502 | 10.00 | 19.00 |
| 24 | 14 | DMT2414 | 550 | 11.00 | 16.00 | 0.61 | 0.47 | DMF2414 | 539 | 11.00 | 19.00 |
| 24 | 16 | DMT2416 | 580 | 12.00 | 16.00 | 0.61 | 0.50 | DMF2416 | 579 | 12.00 | 19.00 |
| 24 | 18 | DMT2418 | 625 | 13.00 | 16.00 | 0.61 | 0.54 | DMF2418 | 634 | 13.00 | 22.00 |
| 24 | 20 | DMT2420 | 660 | 14.00 | 16.00 | 0.61 | 0.57 | DMF2420 | 686 | 14.00 | 22.00 |
| 24 | 24 | DMT2424 | 720 | 16.00 | 16.00 | 0.61 | 0.61 | DMF2424 | 789 | 16.00 | 22.00 |
| 30 | 6 | DMT306 | 700 | 8.50 | 20.00 | 0.66 | 0.36 | DMF306 | 1,000 | 8.50 | 23.00 |
| 30 | 8 | DMT308 | 739 | 8.50 | 20.00 | 0.66 | 0.38 | DMF308 | | 8.50 | 23.00 |
| 30 | 10 | DMT3010 | 785 | 10.00 | 20.00 | 0.66 | 0.40 | | | | |
| 30 | 12 | DMT3012 | 830 | 10.00 | 20.00 | 0.66 | 0.42 | DMF3012 | 740 | 10.00 | 23.00 |
| 30 | 16 | DMT3016 | 959 | 12.50 | 20.00 | 0.66 | 0.50 | DMF3016 | 1,035 | 12.50 | 23.00 |
| 30 | 18 | DMT3018 | 1,085 | 13.00 | 20.00 | 0.66 | 0.54 | | | | |
| 30 | 20 | DMT3020 | 995 | 15.00 | 20.00 | 0.66 | 0.57 | DMF3020 | | 15.00 | 23.00 |
| 30 | 24 | DMT3024 | 1,060 | 16.00 | 20.00 | 0.66 | 0.61 | DMF3024 | 1,061 | 16.00 | 25.00 |
| 30 | 30 | DMT3030 | 1,323 | 20.00 | 20.00 | 0.66 | 0.66 | DMF3030 | 1,267 | 20.00 | 25.00 |



MJ x MJ

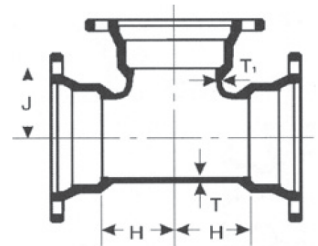


MJ x Flange

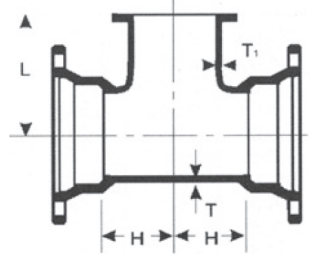
C153 DUCTILE IRON MECHANICAL JOINT FITTINGS

Tees (Continued)

| SIZE | | MJ x MJ | | | | | | MJ x Flange | | | |
|------|--------|----------|----------|-------|-------|------|------|-------------|-------|-------|-------|
| Run | Branch | Item No. | Wt. | H | J | T | T1 | Item No. | Wt. | H | L |
| 36 | 6 | DMT366 | 1,025 | 8.00 | 23.50 | 0.74 | 0.36 | | | | |
| 36 | 8 | DMT368 | 1,091 | 9.00 | 23.50 | 0.74 | 0.38 | | | | |
| 36 | 10 | DMT3610 | 1,184 | 10.00 | 23.50 | 0.74 | 0.40 | | | | |
| 36 | 12 | DMT3612 | 1,205 | 10.00 | 23.50 | 0.74 | 0.42 | DMF3612 | 1,034 | 10.00 | 26.00 |
| 36 | 14 | DMT3614 | 1,112 | 12.50 | 23.50 | 0.74 | 0.47 | | | | |
| 36 | 16 | DMT3616 | 1,350 | 12.50 | 23.50 | 0.74 | 0.50 | | | | |
| 36 | 18 | DMT3618 | 1,155 | 13.00 | 23.50 | 0.74 | 0.54 | DMF3618 | 1,307 | 16.00 | 26.00 |
| 36 | 20 | DMT3620 | 1,240 | 15.00 | 23.50 | 0.74 | 0.57 | | | | |
| 36 | 24 | DMT3624 | 1,498 | 16.00 | 23.50 | 0.74 | 0.61 | DMF3624 | 1,930 | 16.00 | 26.00 |
| 36 | 30 | DMT3630 | 1,555 | 20.00 | 23.50 | 0.74 | 0.66 | DMF3630 | 1,937 | 20.00 | 28.00 |
| 36 | 36 | DMT3636 | 1,900 | 23.50 | 23.50 | 0.74 | 0.74 | DMF3636 | 1,924 | 23.50 | 28.00 |
| 42 | 6 | DMT426 | 1,343 | 10.00 | 27.50 | 0.82 | 0.36 | | | | |
| 42 | 8 | DMT428 | 1,347 | 10.00 | 27.50 | 0.82 | 0.38 | | | | |
| 42 | 12 | DMT4212 | 1,410 | 10.00 | 27.50 | 0.82 | 0.42 | DMF4212 | 1,369 | 10.00 | 30.00 |
| 42 | 16 | DMT4216 | 1,502 | 12.50 | 27.50 | 0.82 | 0.50 | | | | |
| 42 | 18 | DMT4218 | 2,000 | 16.00 | 27.50 | 0.82 | 0.54 | | | | |
| 42 | 20 | DMT4220 | 2,433 | 20.00 | 27.50 | 0.82 | 0.57 | | | | |
| 42 | 24 | DMT4224 | 2,270 | 20.00 | 27.50 | 0.82 | 0.61 | DMF4224 | | 20.00 | 30.00 |
| 42 | 30 | DMT4230 | 2,425 | 22.00 | 29.50 | 0.82 | 0.66 | DMF4230 | 3,132 | 22.00 | 31.00 |
| 42 | 36 | DMT4236 | 3,000 | 30.00 | 30.00 | 0.82 | 0.74 | DMF4236 | 2,765 | 30.00 | 31.00 |
| 42 | 42 | DMT4242 | 3,175 | 30.00 | 30.00 | 0.82 | 0.82 | DMF4242 | | 30.00 | 31.00 |
| 48 | 6 | DMT486 | 1,685 | 10.00 | 32.00 | 0.90 | 0.36 | | | | |
| 48 | 8 | DMT488 | 1,692 | 10.00 | 32.00 | 0.90 | 0.38 | | | | |
| 48 | 12 | DMT4812 | 2,030 | 15.00 | 32.00 | 0.90 | 0.42 | | | | |
| 48 | 16 | DMT4816 | 2,393 | 20.00 | 32.00 | 0.90 | 0.50 | | | | |
| 48 | 18 | DMT4818 | 2,345 | 16.00 | 32.00 | 0.90 | 0.54 | | | | |
| 48 | 20 | DMT4820 | 2,500 | 20.00 | 32.00 | 0.90 | 0.57 | | | | |
| 48 | 24 | DMT4824 | 2,870 | 23.00 | 32.00 | 0.90 | 0.61 | DMF4824 | | 23.00 | 34.00 |
| 48 | 30 | DMT4830 | 3,050 | 23.00 | 32.00 | 0.90 | 0.66 | DMF4830 | 2,762 | 23.00 | 34.00 |
| 48 | 36 | DMT4836 | 3,900 | 33.50 | 32.25 | 0.90 | 0.74 | DMF4836 | 3,594 | 33.50 | 34.00 |
| 48 | 42 | DMT4842 | 4,100 | 33.50 | 33.50 | 0.90 | 0.82 | DMF4842 | 3,739 | 33.50 | 34.00 |
| 48 | 48 | DMT4848 | 4,250 | 33.50 | 33.50 | 0.90 | 0.90 | DMF4848 | 3,878 | 33.50 | 34.00 |
| 54 | 8 | DMT548 | 2,147 | 12.00 | 34.00 | 1.00 | 0.38 | | | | |
| 54 | 12 | DMT5412 | 2,151 | 12.00 | 34.00 | 1.00 | 0.42 | | | | |
| 54 | 16 | DMT5416 | 2,344 | 14.00 | 34.00 | 1.00 | 0.50 | | | | |
| 54 | 20 | DMT5420 | 2,985 | 21.00 | 35.00 | 1.00 | 0.57 | | | | |
| 54 | 24 | DMT5424 | 3,582 | 27.50 | 37.00 | 1.00 | 0.61 | | | | |
| 54 | 30 | DMT5430 | 3,582 | 29.30 | 37.00 | 1.00 | 0.66 | | | | |
| 54 | 36 | DMT5436 | 3,982 | 29.30 | 37.00 | 1.05 | 0.77 | DMF5436 | 4,025 | 29.30 | 37.00 |
| 54 | 42 | DMT5442 | 4,211 | 31.00 | 39.00 | 1.00 | 0.82 | | | | |
| 54 | 54 | | | | | | | DMF5454 | 5,028 | 35.80 | 39.80 |
| 60 | 4 | | | | | | | DMF604 | 1,984 | 8.00 | 36.50 |
| 60 | 6 | DMT606 | 2,184 | 10 | 35 | 1.05 | 0.36 | | | | |
| 60 | 12 | DMT6012 | 2,687 | 15 | 34.5 | 1.05 | 0.42 | | | | |
| 60 | 24 | DMT6024 | 4,007 | 27.5 | 37 | 1.05 | 0.61 | DMF6024 | | 27.50 | 39.00 |
| 60 | 36 | DMT6036 | 4,354 | 29.5 | 39 | 1.05 | 0.74 | | | | |
| 60 | 48 | DMT6048 | 5,777 | 41 | 41 | 1.05 | 0.9 | DMF6048 | 6,291 | 41.00 | 45.00 |
| 60 | 54 | DMT6054 | 5,928 | 41 | 41 | 1.05 | 1.05 | | | | |
| 60 | 60 | DMT6060 | 5,959 | 41 | 41 | 1.05 | 1.05 | | | | |
| 64 | 24 | DMT6424 | 3,889 | 21.3 | 42 | 1.16 | 0.61 | | | | |
| 64 | 36 | DMT6436 | 4,966 | 29.3 | 42 | 1.16 | 0.77 | | | | |
| 64 | 48 | DMT6448 | 5,883.05 | 34.3 | 44 | 1.16 | 0.9 | | | | |



MJ x MJ



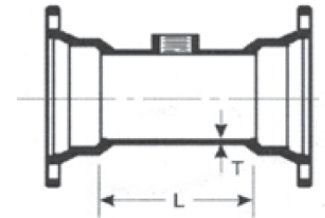
MJ x Flange

Weights in Pounds, Less Accessories / Dimensions in inches
Ductile Iron Class 350 per ANSI/AWWA C153/A21.53

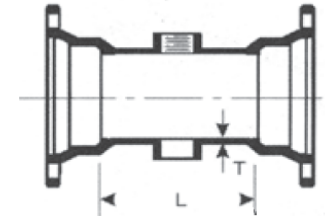


Tapped Tees and Crosses

| Size | TEE | | CROSS | | T | L | Tap Size |
|------|----------|-------|----------|-----|------|------|----------|
| | Item No. | Wt. | Item No. | Wt. | | | |
| 3 | DTT3 | 19 | DTC3 | 19 | 0.33 | 6.00 | 2 |
| 4 | DTT4 | 24 | DTC4 | 23 | 0.34 | 6.00 | 2 |
| 6 | DTT6 | 42 | DTC6 | 37 | 0.36 | 6.00 | 2 |
| 8 | DTT8 | 53 | DTC8 | 53 | 0.38 | 6.00 | 2 |
| 10 | DTT10 | 68 | DTC10 | 68 | 0.40 | 6.00 | 2 |
| 12 | DTT12 | 88 | DTC12 | 88 | 0.42 | 6.00 | 2 |
| 14 | DTT14 | 118 | DTC14 | 119 | 0.47 | 8.00 | 2 |
| 16 | DTT16 | 164 | DTC16 | 202 | 0.50 | 8.00 | 2 |
| 18 | DTT18 | 205 | DTC18 | 206 | 0.54 | 8.00 | 2 |
| 20 | DTT20 | 259 | DTC20 | 259 | 0.57 | 8.00 | 2 |
| 24 | DTT24 | 320 | DTC24 | 320 | 0.61 | 8.00 | 2 |
| 30 | DTT30 | 554 | DTC24 | 320 | 0.61 | 8.00 | 2 |
| 42 | DTT42 | 1,098 | | | | | |
| 48 | DTT48 | 1,372 | | | | | |



Tapped Tee (DTT)



Tapped Cross (DTC)

Caps and Plugs

| Size | CAP SOLID | CAP TAPPED | Wt. | PLUG SOLID | PLUG TAPPED | Wt. |
|------|-----------|------------|-------|------------|-------------|-------|
| | Item No. | Item No. | | Item No. | Item No. | |
| 2 | DMK2 | | | | | |
| 3 | DMK3 | DTK3 | 8 | DMP3 | DTP3 | 8 |
| 4 | DMK4 | DTK4 | 9 | DMP4 | DTP4 | 10 |
| 6 | DMK6 | DTK6 | 15 | DMP6 | DTP6 | 16 |
| 8 | DMK8 | DTK8 | 22 | DMP8 | DTP8 | 26 |
| 10 | DMK10 | DTK10 | 32 | DMP10 | DTP10 | 36 |
| 12 | DMK12 | DTK12 | 42 | DMP12 | DTP12 | 46 |
| 14 | DMK14 | DTK14 | 66 | DMP14 | DTP14 | 75 |
| 16 | DMK16 | DTK16 | 92 | DMP16 | DTP16 | 95 |
| 18 | DMK18 | DTK18 | 114 | DMP18 | DTP18 | 121 |
| 20 | DMK20 | DTK20 | 125 | DMP20 | DTP20 | 135 |
| 24 | DMK24 | DTK24 | 166 | DMP24 | DTP24 | 175 |
| 30 | DMK30 | DTK30 | 345 | DMP30 | DTP30 | 355 |
| 36 | DMK36 | DTK36 | 628 | DMP36 | DTP36 | 688 |
| 42 | DMK42 | DTK42 | 665 | DMP42 | DTP42 | 815 |
| 48 | DMK48 | DTK48 | 901 | DMP48 | DTP48 | 1,085 |
| 54 | DMK54 | DTK54 | 1,123 | DMP54 | DTP54 | 1,473 |
| 60 | DMK60 | DTK60 | 1,355 | DMP60 | DTP60 | 1,590 |
| 64 | DMK64 | DKT64 | 1,554 | DMP64 | DTP64 | 2,019 |



DMK
Solid Cap



DMP
Solid Plug



DTK
Tapped Cap



DTP
Tapped Plug

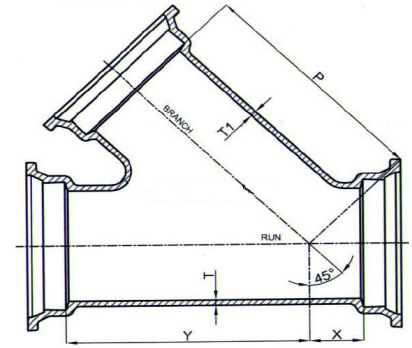
Weights in Pounds, Less Accessories / Dimensions in inches
Ductile Iron Class 350 per ANSI/AWWA C153/A21.53



C153 DUCTILE IRON MECHANICAL JOINT FITTINGS

Wyes 45° laterals

| Size | | Item No. | X | Y | P | T | T1 | Wt. |
|------|--------|----------|------|-------|-------|------|------|-------|
| Run | Branch | | | | | | | |
| 3 | 3 | DMY33 | 2.00 | 8.50 | 8.50 | 0.33 | 0.33 | 36 |
| 4 | 2 | DMY42 | 2.00 | 8.50 | 8.50 | 0.34 | 0.30 | 39 |
| 4 | 3 | DMY43 | 2.50 | 9.50 | 9.50 | 0.34 | 0.33 | |
| 4 | 4 | DMY44 | 2.50 | 9.50 | 9.50 | 0.34 | 0.34 | 45 |
| 6 | 4 | DMY64 | 1.50 | 11.00 | 11.00 | 0.36 | 0.34 | 67 |
| 6 | 6 | DMY66 | 3.00 | 13.00 | 13.00 | 0.36 | 0.36 | 93 |
| 8 | 3 | DMY83 | 0.50 | 13.00 | 13.00 | 0.38 | 0.33 | |
| 8 | 4 | DMY84 | 0.50 | 13.00 | 13.00 | 0.38 | 0.34 | 93 |
| 8 | 6 | DMY86 | 2.00 | 14.50 | 14.50 | 0.38 | 0.36 | 113 |
| 8 | 8 | DMY88 | 3.50 | 16.00 | 16.00 | 0.38 | 0.38 | 136 |
| 10 | 3 | DMY103 | 0.00 | 15.00 | 15.00 | 0.40 | 0.33 | |
| 10 | 4 | DMY104 | 0.00 | 15.00 | 15.00 | 0.40 | 0.34 | 118 |
| 10 | 6 | DMY106 | 1.00 | 16.00 | 16.00 | 0.40 | 0.36 | 136 |
| 10 | 8 | DMY108 | 2.50 | 17.00 | 17.00 | 0.40 | 0.38 | 170 |
| 10 | 10 | DMY1010 | 3.50 | 19.00 | 19.00 | 0.40 | 0.40 | 199 |
| 12 | 3 | DMY123 | 0.00 | 16.50 | 16.50 | 0.42 | 0.33 | |
| 12 | 4 | DMY124 | 0.00 | 16.50 | 16.50 | 0.42 | 0.34 | 150 |
| 12 | 6 | DMY126 | 1.50 | 18.50 | 18.50 | 0.42 | 0.36 | 186 |
| 12 | 8 | DMY128 | 1.50 | 18.50 | 18.50 | 0.42 | 0.38 | 188 |
| 12 | 10 | DMY1210 | 3.00 | 20.00 | 20.00 | 0.42 | 0.40 | 223 |
| 12 | 12 | DMY1212 | 4.50 | 22.50 | 22.50 | 0.42 | 0.42 | 272 |
| 14 | 6 | DMY146 | 0.00 | 19.00 | 21.50 | 0.47 | 0.36 | |
| 14 | 8 | DMY148 | 1.50 | 20.00 | 22.50 | 0.47 | 0.38 | 230 |
| 14 | 10 | DMY1410 | 4.00 | 25.00 | 25.00 | 0.47 | 0.40 | |
| 14 | 12 | DMY1412 | 5.00 | 25.00 | 25.00 | 0.47 | 0.42 | |
| 14 | 14 | DMY1414 | 6.00 | 25.00 | 25.00 | 0.47 | 0.47 | |
| 16 | 6 | DMY166 | 0.00 | 21.50 | 24.00 | 0.50 | 0.36 | |
| 16 | 8 | DMY168 | 1.50 | 23.00 | 25.00 | 0.50 | 0.38 | |
| 16 | 10 | DMY1610 | 6.50 | 28.00 | 28.00 | 0.50 | 0.40 | |
| 16 | 12 | DMY1612 | 6.50 | 28.00 | 28.00 | 0.50 | 0.42 | |
| 16 | 14 | DMY1614 | 6.50 | 28.00 | 28.00 | 0.50 | 0.47 | |
| 16 | 16 | DMY1616 | 6.50 | 28.00 | 28.00 | 0.50 | 0.50 | |
| 18 | 4 | DMY184 | 0.00 | 23.00 | 25.50 | 0.54 | 0.34 | |
| 18 | 6 | DMY186 | 0.00 | 23.00 | 25.50 | 0.54 | 0.36 | 348 |
| 18 | 8 | DMY188 | 1.50 | 25.00 | 27.50 | 0.54 | 0.38 | 380 |
| 18 | 10 | DMY1810 | 4.50 | 30.00 | 30.00 | 0.54 | 0.40 | |
| 18 | 12 | DMY1812 | 4.50 | 30.00 | 30.00 | 0.54 | 0.42 | 479 |
| 18 | 14 | DMY1814 | 4.50 | 30.00 | 30.00 | 0.54 | 0.47 | 479 |
| 18 | 16 | DMY1816 | 4.50 | 30.00 | 30.00 | 0.54 | 0.50 | |
| 18 | 18 | DMY1818 | 6.50 | 30.00 | 30.00 | 0.54 | 0.54 | 500 |
| 20 | 6 | DMY206 | 0.00 | 25.00 | 27.50 | 0.57 | 0.36 | 415 |
| 20 | 8 | DMY208 | 1.50 | 25.00 | 27.50 | 0.57 | 0.38 | 500 |
| 20 | 10 | DMY2010 | 3.00 | 28.00 | 30.00 | 0.57 | 0.40 | |
| 20 | 12 | DMY2012 | 6.50 | 32.00 | 32.00 | 0.57 | 0.42 | 588 |
| 20 | 14 | DMY2014 | 6.50 | 32.00 | 32.00 | 0.57 | 0.47 | |
| 20 | 16 | DMY2016 | 6.50 | 32.00 | 32.00 | 0.57 | 0.50 | |
| 20 | 18 | DMY2018 | 6.50 | 32.00 | 32.00 | 0.57 | 0.54 | |
| 20 | 20 | DMY2020 | 8.00 | 33.00 | 33.00 | 0.57 | 0.57 | 747 |
| 24 | 6 | DMY246 | 0.00 | 29.50 | 32.50 | 0.61 | 0.36 | 602 |
| 24 | 8 | DMY248 | 0.00 | 29.50 | 32.50 | 0.61 | 0.38 | |
| 24 | 10 | DMY2410 | 1.50 | 32.00 | 34.50 | 0.61 | 0.40 | |
| 24 | 12 | DMY2412 | 3.00 | 32.00 | 34.50 | 0.61 | 0.42 | |
| 24 | 14 | DMY2414 | 4.50 | 33.00 | 34.50 | 0.61 | 0.47 | |
| 24 | 16 | DMY2416 | 5.50 | 35.00 | 35.00 | 0.61 | 0.50 | 2,010 |
| 24 | 18 | DMY2418 | 7.00 | 36.00 | 36.00 | 0.61 | 0.54 | 887 |
| 24 | 20 | DMY2420 | 9.00 | 38.50 | 38.50 | 0.61 | 0.57 | |
| 24 | 24 | DMY2424 | 9.00 | 38.50 | 38.50 | 0.61 | 0.61 | 1061 |



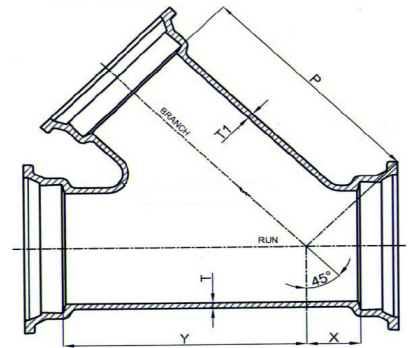
Wyes Lateral 45°

Weights in Pounds, Less Accessories / Dimensions in inches
Ductile Iron Class 350 per ANSI/AWWA C153/A21.53



Wyes 45° laterals (Continued)

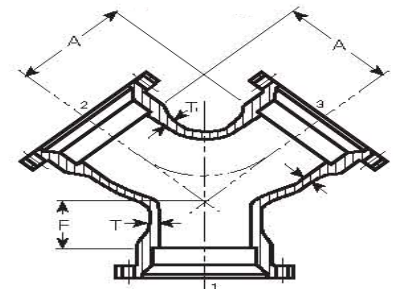
| Size | | Item No. | X | Y | P | T | T1 | Wt. |
|------|--------|----------|-------|-------|-------|------|------|-------|
| Run | Branch | | | | | | | |
| 30 | 4 | DMY304 | 0.00 | 30.00 | 35.00 | 0.66 | 0.34 | |
| 30 | 6 | DMY306 | 0.00 | 45.00 | 50.00 | 0.66 | 0.36 | |
| 30 | 8 | DMY308 | 0.00 | 40.00 | 40.00 | 0.66 | 0.38 | 1,160 |
| 30 | 12 | DMY3012 | 5.00 | 40.00 | 44.00 | 0.66 | 0.42 | |
| 30 | 14 | DMY3014 | 7.00 | 42.00 | 44.00 | 0.66 | 0.47 | |
| 30 | 16 | DMY3016 | 7.00 | 44.00 | 44.00 | 0.66 | 0.50 | |
| 30 | 18 | DMY3018 | 8.00 | 46.00 | 46.00 | 0.66 | 0.54 | |
| 30 | 20 | DMY3020 | 10.00 | 47.00 | 47.00 | 0.66 | 0.57 | 1,531 |
| 30 | 24 | DMY3024 | 10.00 | 47.00 | 47.00 | 0.66 | 0.61 | 1,663 |
| 30 | 30 | DMY3030 | 10.00 | 50.00 | 50.00 | 0.66 | 0.66 | 2,200 |
| 36 | 10 | DMY3610 | 5.00 | 42.50 | 46.00 | 0.74 | 0.40 | 1,601 |
| 36 | 12 | DMY3612 | 5.00 | 42.50 | 46.00 | 0.74 | 0.42 | |
| 36 | 14 | DMY3614 | 5.00 | 42.50 | 46.00 | 0.74 | 0.47 | |
| 36 | 16 | DMY3616 | 5.00 | 42.50 | 46.00 | 0.74 | 0.50 | |
| 36 | 18 | DMY3618 | 8.00 | 45.00 | 48.00 | 0.74 | 0.54 | |
| 36 | 20 | DMY3620 | 10.00 | 48.50 | 50.00 | 0.74 | 0.57 | 2,008 |
| 36 | 24 | DMY3624 | 12.50 | 52.00 | 52.00 | 0.74 | 0.61 | |
| 36 | 30 | DMY3630 | 15.00 | 54.00 | 54.00 | 0.74 | 0.66 | 2,491 |
| 36 | 36 | DMY3636 | 15.00 | 57.50 | 57.50 | 0.74 | 0.74 | 4,754 |
| 42 | 8 | DMY428 | 0.00 | 48.00 | 56.00 | 0.82 | 0.38 | 2,162 |
| 42 | 20 | DMY4220 | 8.00 | 58.00 | 58.00 | 0.82 | 0.57 | 2,845 |
| 42 | 24 | DMY4224 | 10.00 | 58.00 | 58.00 | 0.82 | 0.61 | |
| 42 | 30 | DMY4230 | 12.00 | 60.00 | 60.00 | 0.82 | 0.66 | |
| 42 | 36 | DMY4236 | 12.00 | 64.00 | 64.00 | 0.82 | 0.74 | |
| 42 | 42 | DMY4242 | 15.00 | 68.00 | 68.00 | 0.82 | 0.82 | 4,048 |
| 48 | 6 | DMY486 | 0.00 | 50.00 | 58.00 | 0.90 | 0.36 | |
| 48 | 8 | DMY488 | 0.00 | 50.00 | 58.00 | 0.90 | 0.38 | 2,756 |
| 48 | 16 | DMY4816 | 0.00 | 52.00 | 58.00 | 0.90 | 0.50 | 2,852 |
| 48 | 20 | DMY4820 | 0.00 | 52.00 | 58.00 | 0.90 | 0.57 | 2,967 |
| 48 | 24 | DMY4824 | 5.00 | 56.00 | 62.00 | 0.90 | 0.61 | |
| 48 | 30 | DMY4830 | 4.00 | 57.00 | 62.00 | 0.90 | 0.66 | 3,433 |
| 48 | 36 | DMY4836 | 5.00 | 62.00 | 66.00 | 0.90 | 0.74 | |
| 48 | 42 | DMY4842 | 12.00 | 75.00 | 75.00 | 0.90 | 0.82 | |
| 48 | 48 | DMY4848 | 16.00 | 75.00 | 75.00 | 0.90 | 0.90 | |
| 54 | 30 | DMY5430 | 3.00 | 59.00 | 65.00 | 1.00 | 0.66 | 4,142 |
| 54 | 36 | DMY5436 | 5.00 | 70.00 | 70.00 | 1.00 | 0.74 | 5,078 |
| 54 | 54 | DMY5454 | 17.00 | 86.00 | 88.50 | 1.00 | 1.00 | 2,465 |



Wyes Lateral 45°

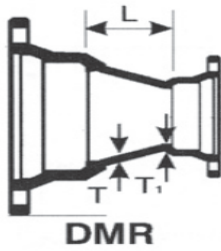
True Wye

| Size | | Pressure Rating | Dimensions in Inches | | | | Weight | Item No. |
|--------|--------|-----------------|----------------------|------|----|----|--------|-----------|
| Side 1 | Side 2 | | T | T1 | A | F | | |
| 18 | 18 | 250 | 0.54 | 0.54 | 14 | 6 | 390.32 | DMW1818 |
| 20 | 20 | 250 | 0.57 | 0.57 | 15 | 6 | 465.06 | DMW2020 |
| 30 | 30 | 250 | 0.66 | 0.66 | 25 | 15 | 1290 | DMW2020 |
| 30 | 24 | 250 | 0.66 | 0.61 | 20 | 10 | | DMW302424 |
| 36 | 30 | 250 | 0.74 | 0.66 | 25 | 15 | | DMW363030 |

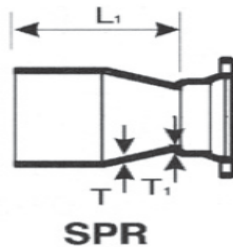


True Wyes

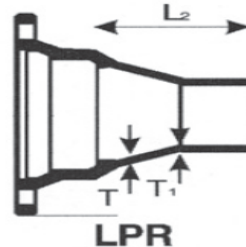
C153 DUCTILE IRON MECHANICAL JOINT FITTINGS



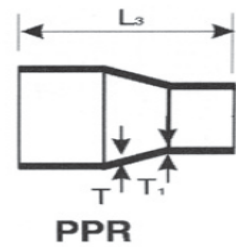
DMR



SPR



LPR



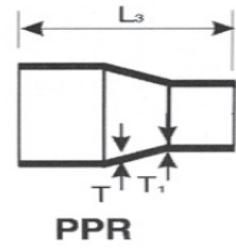
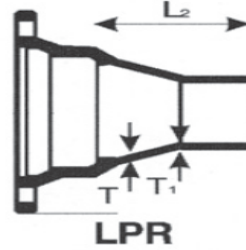
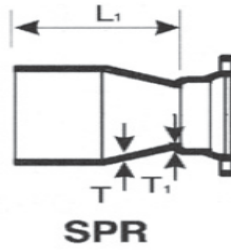
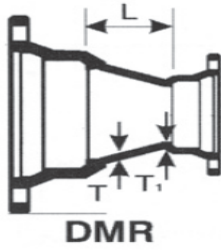
PPR

Reducers

| Size | MJ x MJ | | | PE x MJ (Small End MJ) | | | MJ X PE (Large End MJ) | | | PE x PE | | | | |
|---------|----------|-----|-------|------------------------|-----|-------|------------------------|-----|-------|----------|-----|-------|------|------|
| | Item No. | Wt. | L | Item No. | Wt. | L1 | Item No. | Wt. | L2 | Item No. | Wt. | L3 | T | T1 |
| 3 x 2 | DMR32 | 14 | 2.50 | | | | | | | | | | 0.33 | 0.30 |
| 4 x 2 | DMR42 | 16 | 2.50 | SPR42 | 14 | 8.00 | | | | | | | 0.34 | 0.30 |
| 4 x 3 | DMR43 | 18 | 3.00 | SPR43 | 17 | 8.50 | LPR43 | 18 | 8.50 | PPR43 | 14 | 14.00 | 0.34 | 0.33 |
| 6 x 3 | DMR63 | 22 | 5.00 | SPR63 | 24 | 10.50 | LPR63 | 19 | 10.50 | PPR63 | 19 | 16.00 | 0.36 | 0.33 |
| 6 x 4 | DMR64 | 24 | 4.00 | SPR64 | 25 | 9.50 | LPR64 | 25 | 9.50 | PPR64 | 22 | 15.00 | 0.36 | 0.34 |
| 8 x 3 | DMR83 | | 5.00 | | | | | | | | | | 0.38 | 0.33 |
| 8 x 4 | DMR84 | 32 | 5.00 | SPR84 | 30 | 10.50 | LPR84 | 34 | 10.50 | PPR84 | 30 | 16.00 | 0.38 | 0.34 |
| 8 x 6 | DMR86 | 36 | 4.00 | SPR86 | 35 | 9.50 | LPR86 | 32 | 9.50 | PPR86 | 30 | 15.00 | 0.38 | 0.36 |
| 10 x 4 | DMR104 | 46 | 7.00 | SPR104 | 43 | 12.50 | LPR104 | 43 | 12.50 | PPR104 | 46 | 18.00 | 0.40 | 0.34 |
| 10 x 6 | DMR106 | 47 | 5.00 | SPR106 | 46 | 10.50 | LPR106 | 42 | 10.50 | PPR106 | 46 | 16.00 | 0.40 | 0.36 |
| 10 x 8 | DMR108 | 50 | 4.00 | SPR108 | 42 | 9.50 | LPR108 | 50 | 9.50 | PPR108 | 47 | 15.00 | 0.40 | 0.38 |
| 12 x 4 | DMR124 | 58 | 9.00 | SPR124 | 60 | 14.50 | LPR124 | 60 | 14.50 | PPR124 | 58 | 20.00 | 0.42 | 0.34 |
| 12 x 6 | DMR126 | 58 | 7.00 | SPR126 | 58 | 12.50 | LPR126 | 58 | 12.50 | PPR126 | 57 | 18.00 | 0.42 | 0.36 |
| 12 x 8 | DMR128 | 57 | 5.00 | SPR128 | 54 | 10.50 | LPR128 | 55 | 10.50 | PPR128 | 54 | 16.00 | 0.42 | 0.38 |
| 12 x 10 | DMR1210 | 61 | 4.00 | SPR1210 | 59 | 9.50 | LPR1210 | 59 | 9.50 | PPR1210 | 54 | 15.00 | 0.42 | 0.40 |
| 14 x 6 | DMR146 | 100 | 9.00 | SPR146 | 100 | 16.90 | LPR146 | 104 | 14.50 | PPR146 | 93 | 22.30 | 0.47 | 0.36 |
| 14 x 8 | DMR148 | 100 | 7.00 | SPR148 | 98 | 14.90 | LPR148 | 98 | 12.40 | PPR148 | 94 | 20.30 | 0.47 | 0.38 |
| 14 x 10 | DMR1410 | 100 | 5.00 | SPR1410 | 94 | 12.90 | LPR1410 | 92 | 10.40 | PPR1410 | 90 | 18.30 | 0.47 | 0.40 |
| 14 x 12 | DMR1412 | 100 | 4.00 | SPR1412 | 90 | 11.90 | LPR1412 | 92 | 9.40 | PPR1412 | 88 | 17.30 | 0.47 | 0.42 |
| 16 x 6 | DMR166 | 124 | 11.00 | SPR166 | 125 | 18.90 | LPR166 | 136 | 16.50 | PPR166 | 93 | 24.30 | 0.50 | 0.36 |
| 16 x 8 | DMR168 | 124 | 9.00 | SPR168 | 121 | 16.90 | LPR168 | 128 | 14.40 | PPR168 | 119 | 22.30 | 0.50 | 0.38 |
| 16 x 10 | DMR1610 | 124 | 7.00 | SPR1610 | 105 | 15.00 | LPR1610 | 123 | 12.50 | PPR1610 | 119 | 20.50 | 0.50 | 0.40 |
| 16 x 12 | DMR1612 | 112 | 5.00 | SPR1612 | 109 | 12.90 | LPR1612 | 108 | 10.50 | PPR1612 | 99 | 18.30 | 0.50 | 0.42 |
| 16 x 14 | DMR1614 | 140 | 4.00 | SPR1614 | 126 | 12.00 | LPR1614 | 132 | 12.00 | PPR1614 | 129 | 19.70 | 0.50 | 0.47 |
| 18 x 4 | DMR184 | | 11.00 | | | | | | | | | | 0.54 | 0.34 |
| 18 x 6 | DMR186 | 194 | 13.00 | | | | | | | | | | 0.54 | 0.36 |
| 18 x 8 | DMR188 | 190 | 13.00 | SPR188 | 170 | 20.00 | LPR188 | 195 | 19.50 | PPR188 | 170 | 27.40 | 0.54 | 0.38 |
| 18 x 10 | DMR1810 | 195 | 10.00 | SPR1810 | 165 | 18.00 | LPR1810 | 185 | 17.40 | PPR1810 | 160 | 25.50 | 0.54 | 0.40 |
| 18 x 12 | DMR1812 | 180 | 7.00 | SPR1812 | 150 | 15.50 | LPR1812 | 175 | 14.00 | PPR1812 | 150 | 19.50 | 0.54 | 0.42 |
| 18 x 14 | DMR1814 | 190 | 6.00 | SPR1814 | 175 | 15.00 | LPR1814 | 190 | 15.00 | PPR1814 | 160 | 23.00 | 0.54 | 0.47 |
| 18 x 16 | DMR1816 | 195 | 5.00 | SPR1816 | 170 | 12.50 | LPR1816 | 190 | 12.50 | PPR1816 | 145 | 18.00 | 0.54 | 0.50 |
| 20 x 6 | DMR206 | 232 | 16.00 | SPR206 | 201 | 22.00 | LPR206 | 231 | 19.00 | PPR206 | 106 | 27.50 | 0.57 | 0.36 |
| 20 x 8 | DMR208 | 227 | 16.00 | SPR208 | 198 | 27.00 | LPR208 | 227 | 19.00 | PPR208 | 106 | 27.50 | 0.57 | 0.38 |
| 20 x 10 | DMR2010 | 220 | 14.00 | SPR2010 | 200 | 22.00 | LPR2010 | 210 | 19.00 | PPR2010 | 180 | 27.50 | 0.57 | 0.40 |
| 20 x 12 | DMR2012 | 205 | 12.00 | SPR2012 | 170 | 17.50 | LPR2012 | 205 | 16.00 | PPR2012 | 190 | 21.50 | 0.57 | 0.42 |
| 20 x 14 | DMR2014 | 200 | 10.00 | SPR2014 | 190 | 18.00 | LPR2014 | 205 | 17.90 | PPR2014 | 195 | 26.00 | 0.57 | 0.47 |
| 20 x 16 | DMR2016 | 200 | 7.00 | SPR2016 | 185 | 13.50 | LPR2016 | 200 | 13.50 | PPR2016 | 170 | 19.00 | 0.57 | 0.50 |
| 20 x 18 | DMR2018 | 225 | 4.00 | SPR2018 | 200 | 12.00 | LPR2018 | 215 | 12.00 | PPR2018 | 190 | 20.00 | 0.57 | 0.54 |
| 24 x 6 | DMR246 | 322 | 18.00 | SPR246 | 284 | 21.50 | LPR246 | 320 | 21.00 | PPR246 | 283 | 22.50 | 0.61 | 0.36 |
| 24 x 8 | DMR248 | 318 | 16.00 | SPR248 | 282 | 21.50 | LPR248 | 316 | 21.00 | PPR248 | 281 | 22.50 | 0.61 | 0.38 |
| 24 x 10 | DMR2410 | 312 | 16.00 | SPR2410 | 276 | 21.50 | LPR2410 | 310 | 21.00 | PPR2410 | 274 | 22.50 | 0.61 | 0.40 |
| 24 x 12 | DMR2412 | 305 | 16.00 | SPR2412 | 275 | 21.50 | LPR2412 | 290 | 21.00 | PPR2412 | 240 | 22.50 | 0.61 | 0.42 |
| 24 x 14 | DMR2414 | 310 | 14.00 | SPR2414 | 310 | 22.00 | LPR2414 | 315 | 21.90 | PPR2414 | 295 | 25.00 | 0.61 | 0.47 |
| 24 x 16 | DMR2416 | 320 | 12.00 | SPR2416 | 285 | 17.50 | LPR2416 | 285 | 17.50 | PPR2416 | 285 | 23.00 | 0.61 | 0.50 |
| 24 x 18 | DMR2418 | 305 | 10.00 | SPR2418 | 300 | 18.00 | LPR2418 | 310 | 18.00 | PPR2418 | 290 | 21.00 | 0.61 | 0.54 |
| 24 x 20 | DMR2420 | 300 | 7.00 | SPR2420 | 270 | 13.50 | LPR2420 | 275 | 13.50 | PPR2420 | 240 | 14.00 | 0.61 | 0.57 |
| 30 x 12 | DMR3012 | 499 | 30.00 | | | | | | | | | | 0.66 | 0.42 |
| 30 x 16 | DMR3016 | 633 | 30.00 | SPR3016 | 565 | 39.00 | LPR3016 | 623 | 39.00 | PPR3016 | 555 | 48.00 | 0.66 | 0.50 |
| 30 x 18 | DMR3018 | 658 | 28.00 | SPR3018 | 590 | 37.00 | LPR3018 | 635 | 37.00 | PPR3018 | 567 | 46.00 | 0.66 | 0.54 |
| 30 x 20 | DMR3020 | 628 | 24.00 | SPR3020 | 560 | 33.00 | LPR3020 | 603 | 33.00 | PPR3020 | 535 | 42.00 | 0.66 | 0.57 |
| 30 x 24 | DMR3024 | 478 | 10.00 | SPR3024 | 495 | 24.50 | LPR3024 | 526 | 24.50 | PPR3024 | 458 | 33.50 | 0.66 | 0.61 |

Weights in Pounds, Less Accessories / Dimensions in inches
 Ductile Iron Class 350 per ANSI/AWWA C153/A21.53





Reducers (Continued)

| Size | MJ x MJ | | | PE x MJ (Small End MJ) | | | MJ X PE (Large End MJ) | | | PE x PE | | | | |
|---------|----------|-------|-------|------------------------|-------|-------|------------------------|-------|-------|----------|-------|-------|------|------|
| | Item No. | Wt. | L | Item No. | Wt. | L1 | Item No. | Wt. | L2 | Item No. | Wt. | L3 | T | T1 |
| 36 x 12 | DMR3612 | 1,058 | 30.00 | | | | | | | | | | 0.74 | 0.42 |
| 36 x 16 | DMR3616 | 1,016 | 30.00 | SPR3616 | 595 | 27 | | | | | | | 0.74 | 0.50 |
| 36 x 18 | DMR3618 | 983 | 36.00 | | | | | | | | | | 0.74 | 0.54 |
| 36 x 20 | DMR3620 | 975 | 36.00 | SPR3620 | 874 | 45.00 | LPR3620 | 950 | 45.00 | PPR3620 | 849 | 54.00 | 0.74 | 0.57 |
| 36 x 24 | DMR3624 | 770 | 19.00 | SPR3624 | 746 | 33.00 | LPR3624 | 810 | 33.00 | PPR3624 | 709 | 42.00 | 0.74 | 0.61 |
| 36 x 30 | DMR3630 | 650 | 15.50 | SPR3630 | 725 | 24.50 | LPR3630 | 2,758 | 24.50 | PPR3630 | 657 | 33.50 | 0.74 | 0.66 |
| 42 x 20 | DMR4220 | | 40.00 | | | | | | | | | | 0.82 | 0.57 |
| 42 x 24 | DMR4224 | 1,356 | 40.00 | SPR4224 | 1,204 | 49.00 | LPR4224 | 1,319 | 49.00 | PPR4224 | 1,167 | 58.00 | 0.82 | 0.61 |
| 42 x 30 | DMR4230 | 1,083 | 20.00 | SPR4230 | 931 | 29.00 | LPR4230 | 1,015 | 29.00 | PPR4230 | 863 | 38.00 | 0.82 | 0.66 |
| 42 x 36 | DMR4236 | 11,14 | 15.50 | SPR4236 | 962 | 24.50 | LPR4236 | 1,013 | 24.50 | PPR4236 | 861 | 33.50 | 0.82 | 0.74 |
| 48 x 20 | DMR4820 | | 40.00 | | | | | | | | | | 0.90 | 0.57 |
| 48 x 24 | DMR4824 | | 40.00 | | | | | | | | | | 0.90 | 0.61 |
| 48 x 30 | DMR4830 | 1,779 | 40.00 | SPR4830 | 1594 | 49.00 | LPR4830 | 1,711 | 49.00 | PPR4830 | 1,526 | 58.00 | 0.90 | 0.66 |
| 48 x 36 | DMR4836 | 1,641 | 28.00 | SPR4836 | 1456 | 37.00 | LPR4836 | 1,540 | 37.00 | PPR4836 | 1,355 | 46.00 | 0.90 | 0.74 |
| 48 x 42 | DMR4842 | 1,426 | 15.50 | SPR4842 | 1241 | 24.50 | LPR4842 | 1,274 | 24.50 | PPR4842 | 1,089 | 33.50 | 0.90 | 0.82 |
| 54 x 36 | DMR5436 | 1,641 | 27.50 | SPR5436 | 1,564 | 37.25 | | | | | | | 1.00 | 0.74 |
| 54 x 42 | DMR5442 | 1,628 | 19.50 | SPR5442 | 1,496 | 29.25 | LPR5442 | 1,471 | 27.25 | | | | 1.00 | 0.82 |
| 54 x 48 | DMR5448 | 1,634 | 15.50 | | | | | | | | | | 1.00 | 0.90 |
| 60 x 12 | DMR6012 | 2,032 | 60.00 | | | | | | | | | | | |
| 60 x 30 | DMR6030 | 1,891 | 35.50 | | | | | | | | | | 1.05 | 0.66 |
| 60 x 42 | DMR6042 | 1,914 | 23.50 | SPR6042 | 1,754 | 33.50 | LPR6042 | 1,741 | 31.50 | | | | 1.05 | 0.82 |
| 60 x 48 | DMR6048 | 1,832 | 18.00 | | | | | | | | | | 1.05 | 0.90 |
| 60 x 54 | DMR6054 | 1,602 | 10.00 | | | | | | | | | | 1.05 | 1.00 |
| 64 x 36 | DMR6436 | 2,152 | 32.50 | | | | | | | | | | 1.11 | 0.74 |
| 64 x 42 | DMR6442 | 2,161 | 27.25 | | | | | | | | | | 1.11 | 0.82 |
| 64 x 48 | DMR6448 | 2,148 | 22.50 | | | | | | | | | | 1.11 | 0.90 |
| 64 x 54 | DMR6454 | 2,097 | 18 | | | | | | | | | | | |

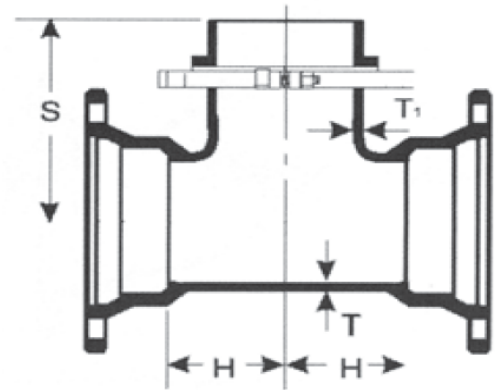


Weights in Pounds, Less Accessories / Dimensions in inches
 Ductile Iron Class 350 per ANSI/AWWA C153/A21.53

C153 DUCTILE IRON MECHANICAL JOINT FITTINGS

Tees: MJ x Swivel (Hydrant Tees)

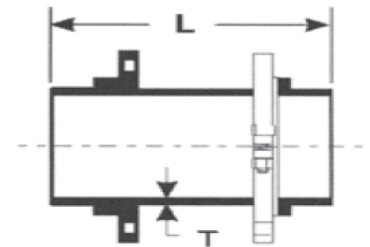
| Size | Item No. | H | S | T | T1 | Wt. |
|---------|----------|-------|-------|------|------|---------|
| 6 x 4 | DMH64 | 4.00 | 10.00 | 0.36 | 0.34 | |
| 6 x 6 | DMH66 | 5.00 | 10.00 | 0.36 | 0.36 | 77 |
| 8 x 6 | DMH86 | 5.00 | 11.00 | 0.38 | 0.36 | 89 |
| 8 x 8 | DMH88 | 6.50 | 11.00 | 0.38 | 0.38 | 116 |
| 10 x 4 | DMH104 | 4.00 | 12.50 | 0.40 | 0.34 | |
| 10 x 6 | DMH106 | 5.00 | 12.50 | 0.40 | 0.36 | 113 |
| 10 x 8 | DMH108 | 6.50 | 12.50 | 0.40 | 0.38 | 129 |
| 12 x 4 | DMH124 | 4.00 | 13.50 | 0.42 | 0.34 | |
| 12 x 6 | DMH126 | 5.00 | 13.50 | 0.42 | 0.36 | 128 |
| 12 x 8 | DMH128 | 6.50 | 13.50 | 0.42 | 0.38 | 149 |
| 12 x 12 | DMH1212 | 8.75 | 13.50 | 0.42 | 0.42 | |
| 14 x 6 | DMH146 | 6.50 | 15.00 | 0.47 | 0.36 | 211 |
| 14 x 8 | DMH148 | 7.50 | 15.00 | 0.47 | 0.38 | 182 |
| 16 x 6 | DMH166 | 6.50 | 16.00 | 0.50 | 0.36 | 248 |
| 16 x 8 | DMH168 | 7.50 | 16.00 | 0.50 | 0.38 | 298 |
| 18 x 6 | DMH186 | 6.50 | 17.00 | 0.54 | 0.36 | 300 |
| 18 x 8 | DMH188 | 7.50 | 17.00 | 0.54 | 0.38 | 272 |
| 20 x 6 | DMH206 | 6.50 | 18.50 | 0.57 | 0.36 | 358 |
| 20 x 8 | DMH208 | 8.00 | 18.50 | 0.57 | 0.38 | 382 |
| 24 x 6 | DMH246 | 7.00 | 19.00 | 0.61 | 0.36 | 458 |
| 24 x 8 | DMH248 | 8.00 | 19.00 | 0.61 | 0.38 | 477 |
| 30 x 6 | DMH306 | 7.50 | 24.50 | 0.66 | 0.36 | 614.36 |
| 30 x 8 | DMH308 | 8.50 | 24.50 | 0.66 | 0.38 | |
| 36 x 6 | DMH366 | 8.00 | 27.50 | 0.74 | 0.36 | 891 |
| 36 x 8 | DMH368 | 9.00 | 27.50 | 0.74 | 0.38 | 936 |
| 42 x 6 | DMH426 | 8.50 | 31.50 | 0.82 | 0.36 | |
| 42 x 8 | DMH428 | 10.00 | 31.50 | 0.82 | 0.38 | 1330.19 |
| 48 x 6 | DMH486 | 9.00 | 35.50 | 0.9 | 0.36 | |
| 48 x 8 | DMH488 | 11 | 35.50 | 0.9 | 0.38 | |



MJ x Swivel Tee

Swivel x Solid Adapter

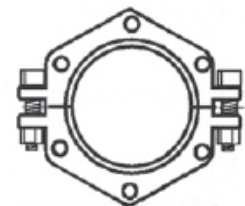
| Size | Item No. | L | T | Wt. |
|------|----------|-------|------|-----|
| 4 | SSA413 | 13.00 | 0.34 | 29 |
| 6 | SSA613 | 13.00 | 0.36 | 47 |
| 6 | SSA618 | 18.00 | 0.36 | 58 |
| 6 | SSA624 | 24.00 | 0.36 | 69 |
| 6 | SSA630 | 30.00 | 0.36 | 66 |
| 6 | SSA636 | 36.00 | 0.36 | 75 |
| 6 | SSA648 | 48.00 | 0.36 | 94 |
| 6 | SSA660 | 60.00 | 0.36 | 112 |
| 6 | SSA672 | 72.00 | 0.36 | 131 |
| 8 | SSA813 | 13.00 | 0.38 | 52 |
| 10 | SSA1013 | 13.00 | 0.40 | 69 |
| 12 | SSA1213 | 13.00 | 0.42 | 87 |



Swivel x Solid Adapter

Swivel Gland

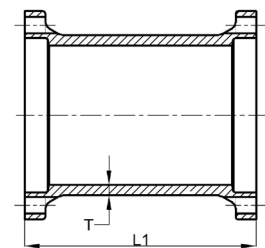
| Size | Item No. | Wt. |
|------|----------|-----|
| 4 | HR4 | 8 |
| 6 | HR6 | 18 |
| 8 | HR8 | 15 |
| 10 | HR10 | 18 |
| 12 | HR12 | 24 |



Swivel Gland

Dual Purpose Sleeves

| Item No. | L1 | T | Wt. |
|----------|----|------|-----|
| DDL4 | 12 | 0.52 | 32 |
| DDL6 | 12 | 0.55 | 50 |
| DDL8 | 12 | 0.60 | 65 |
| DDL10 | 12 | 0.63 | 89 |
| DDL12 | 12 | 0.68 | 104 |



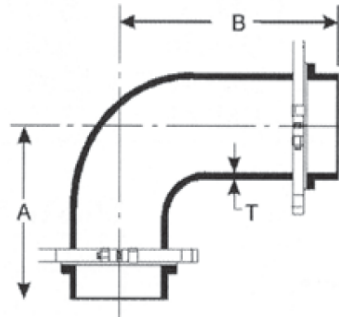
Dual Purpose Sleeves

Weights in Pounds, Less Accessories / Dimensions in inches
Ductile Iron Class 350 per ANSI/AWWA C153/A21.53



Swivel x Solid 90° Bend

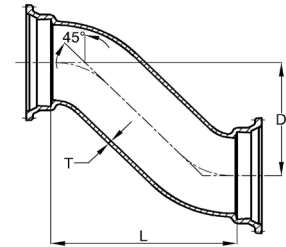
| Size | Item No. | A | B | T | Wt. |
|------|----------|-------|-------|------|-----|
| 3 | SSB3 | 8.50 | 13.00 | 0.33 | |
| 4 | SSB4 | 9.50 | 14.00 | 0.34 | |
| 6 | SSB6 | 10.50 | 16.00 | 0.36 | 52 |
| 8 | SSB8 | 12.50 | 18.00 | 0.38 | 74 |
| 10 | SSB10 | 13.00 | 20.00 | 0.40 | 102 |
| 12 | SSB12 | 14.50 | 22.00 | 0.42 | |
| 14 | SSB14 | 19.50 | 24.00 | 0.47 | |
| 16 | SSB16 | 20.50 | 26.00 | 0.50 | |
| 18 | SSB18 | 21.00 | 28.00 | 0.54 | |
| 20 | SSB20 | 22.50 | 30.00 | 0.57 | |
| 24 | SSB24 | 25.00 | 34.00 | 0.61 | |
| 30 | SSB30 | 30.50 | 40.00 | 0.66 | |
| 36 | SSB36 | 33.50 | 46.00 | 0.74 | |
| 42 | SSB42 | 38.25 | 52.00 | 0.82 | |
| 48 | SSB48 | 42.25 | 58.00 | 0.90 | |



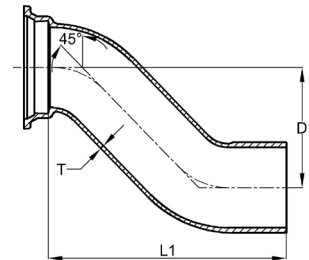
Swivel x Solid 90° Bend

Offsets

| MJ x MJ Size | Item No. | Wt. | D | L | L1 | T | MJ x PE Item No. | Wt. |
|-----------------|----------|-----|-------|-------|-------|------|---------------------|-----|
| 3 x 6 | DMO36 | 30 | 6.00 | 9.00 | 14.50 | 0.33 | DMQ36 | 29 |
| 3 x 12 | DMO312 | 40 | 12.00 | 15.00 | 20.50 | 0.33 | DMQ312 | 39 |
| 3 x 18 | DMO318 | 49 | 18.00 | 21.00 | 26.50 | 0.33 | DMQ318 | 48 |
| 3 x 24 | DMO324 | 55 | 24.00 | 27.00 | 33.50 | 0.33 | DMQ324 | 53 |
| 4 x 6 | DMO46 | 45 | 6.00 | 10.00 | 15.50 | 0.34 | DMQ46 | 44 |
| 4 x 12 | DMO412 | 55 | 12.00 | 16.00 | 21.50 | 0.34 | DMQ412 | 54 |
| 4 x 18 | DMO418 | 65 | 18.00 | 22.00 | 27.50 | 0.34 | DMQ418 | 63 |
| 4 x 24 | DMO424 | 75 | 24.00 | 28.00 | 33.50 | 0.34 | DMQ424 | 72 |
| 6 x 6 | DMO66 | 41 | 6.00 | 12.00 | 17.50 | 0.36 | DMQ66 | 54 |
| 6 x 12 | DMO612 | 65 | 12.00 | 18.00 | 23.50 | 0.36 | DMQ612 | 64 |
| 6 x 18 | DMO618 | 75 | 18.00 | 24.00 | 29.50 | 0.36 | DMQ618 | 72 |
| 6 x 24 | DMO624 | 85 | 24.00 | 30.00 | 35.50 | 0.36 | DMQ624 | 82 |
| 8 x 6 | DMO86 | 84 | 6.00 | 13.00 | 18.50 | 0.38 | DMQ86 | 78 |
| 8 x 12 | DMO812 | 90 | 12.00 | 19.00 | 24.50 | 0.38 | DMQ812 | 88 |
| 8 x 18 | DMO818 | 100 | 18.00 | 25.00 | 30.50 | 0.38 | DMQ818 | 96 |
| 8 x 24 | DMO824 | 147 | 24.00 | 30.00 | 35.50 | 0.38 | DMQ824 | 149 |
| 10 x 6 | DMO106 | 105 | 6.00 | 15.00 | 20.50 | 0.40 | DMQ106 | 102 |
| 10 x 12 | DMO1012 | 135 | 12.00 | 21.00 | 26.50 | 0.40 | DMQ1012 | 132 |
| 10 x 18 | DMO1018 | 165 | 18.00 | 27.00 | 32.50 | 0.40 | DMQ1018 | 160 |
| 10 x 24 | DMO1024 | 179 | 24.00 | 24.00 | | 0.40 | | |
| 12 x 6 | DMO126 | 124 | 6.00 | 17.00 | 22.50 | 0.42 | DMQ126 | 112 |
| 12 x 12 | DMO1212 | 153 | 12.00 | 23.00 | 28.50 | 0.42 | DMQ1212 | 146 |
| 12 x 18 | DMO1218 | 190 | 18.00 | 29.00 | 34.50 | 0.42 | DMQ1218 | 184 |
| 12 x 24 | DMO1224 | 202 | 24.00 | 35.00 | 40.50 | 0.42 | DMQ1224 | 194 |
| 12 x 30 | DMO1230 | 213 | 30.00 | 41.00 | 46.50 | 0.42 | DMQ1230 | 205 |
| 14 x 6 | DMO146 | | 6.00 | 16.00 | 24.00 | 0.47 | DMQ146 | |
| 14 x 12 | DMO1412 | | 12.00 | 22.00 | 30.00 | 0.47 | DMQ1412 | |
| 14 x 18 | DMO1418 | | 18.00 | 28.00 | 36.00 | 0.47 | DMQ1418 | |
| 14 x 24 | DMO1424 | | 24.00 | 34.00 | 42.00 | 0.47 | DMQ1424 | |
| 16 x 6 | DMO166 | | 6.00 | 17.00 | 25.00 | 0.50 | DMQ166 | |
| 16 x 12 | DMO1612 | | 12.00 | 23.00 | 31.00 | 0.50 | DMQ1612 | |
| 16 x 18 | DMO1618 | | 18.00 | 29.00 | 37.00 | 0.50 | DMQ1618 | 356 |
| 16 x 24 | DMO1624 | | 24.00 | 35.00 | 43.00 | 0.50 | DMQ1624 | |
| 18 x 6 | DMO186 | | 6.00 | 18.00 | 25.00 | 0.54 | DMQ186 | |
| 18 x 12 | DMO1812 | | 12.00 | 24.00 | 31.00 | 0.54 | DMQ1812 | |
| 18 x 18 | DMO1818 | | 18.00 | 30.00 | 37.00 | 0.54 | DMQ1818 | |
| 18 x 24 | DMO1824 | | 24.00 | 36.00 | 43.00 | 0.54 | DMQ1824 | |
| 20 x 6 | DMO206 | | 6.00 | 20.00 | 27.00 | 0.57 | DMQ206 | |
| 20 x 12 | DMO2012 | | 12.00 | 26.00 | 33.00 | 0.57 | DMQ2012 | |
| 20 x 18 | DMO2018 | | 18.00 | 32.00 | 39.00 | 0.57 | DMQ2018 | |
| 20 x 24 | DMO2024 | | 24.00 | 38.00 | 45.00 | 0.57 | DMQ2024 | |
| 24 x 6 | DMO246 | | 6.00 | 21.00 | 28.00 | 0.61 | DMQ246 | |
| 24 x 12 | DMO2412 | | 12.00 | 27.00 | 34.00 | 0.61 | DMQ2412 | |
| 24 x 18 | DMO2418 | | 18.00 | 33.00 | 40.00 | 0.61 | DMQ2418 | |
| 24 x 24 | DMO2424 | | 24.00 | 39.00 | 46.00 | 0.61 | DMQ2424 | |



MJ x MJ



MJ x PE

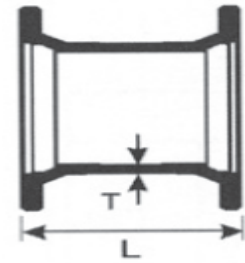
Weights in Pounds, Less Accessories / Dimensions in inches
Ductile Iron Class 350 per ANSI/AWWA C153/A21.53



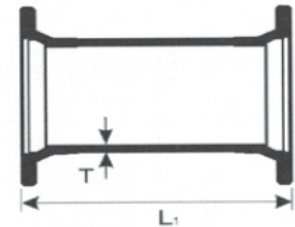
C153 DUCTILE IRON MECHANICAL JOINT FITTINGS

Sleeves

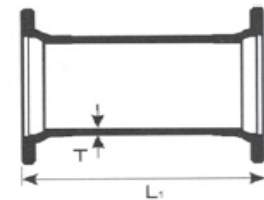
| Size | SHORT SLEEVE Item No. | Wt. | L | LONG SLEEVE Item No. | Wt. | L1 | T |
|------|-----------------------|-----|-------|----------------------|---------|-------|------|
| 2 | | | | DML2 | | 12 | 0.3 |
| 3 | DMS3 | 13 | 7.50 | DML3 | 18 | 12 | 0.33 |
| 4 | DMS4 | 17 | 7.50 | DML4 | 20 | 12.00 | 0.34 |
| 6 | DMS6 | 28 | 7.50 | DML6 | 33 | 12.00 | 0.36 |
| 8 | DMS8 | 38 | 7.50 | DML8 | 46 | 12.00 | 0.38 |
| 10 | DMS10 | 49 | 7.50 | DML10 | 62 | 12.00 | 0.40 |
| 12 | DMS12 | 56 | 7.50 | DML12 | 76 | 12.00 | 0.42 |
| 14 | DMS14 | 111 | 9.50 | DML14 | 140 | 15.00 | 0.47 |
| 16 | DMS16 | 123 | 9.50 | DML16 | 170 | 15.00 | 0.50 |
| 18 | DMS18 | 160 | 9.00 | DML18 | 200 | 15.00 | 0.54 |
| 20 | DMS20 | 195 | 9.00 | DML20 | 255 | 15.00 | 0.57 |
| 24 | DMS24 | 225 | 9.00 | DML24 | 335 | 15.00 | 0.61 |
| 30 | DMS30 | 423 | 15.00 | DML30 | 640 | 24.00 | 0.66 |
| 36 | DMS36 | 591 | 15.00 | DML36 | 925 | 24.00 | 0.74 |
| 42 | DMS42 | 788 | 15.00 | DML42 | 1390 | 24.00 | 0.82 |
| 48 | DMS48 | 978 | 15.00 | DML48 | 1740 | 24.00 | 0.90 |
| 54 | DMS54 | 978 | 20.00 | DML54 | 1800.46 | 30.00 | 1.00 |
| 60 | | | | DML60 | 2081.22 | 30.00 | 1.05 |
| 64 | | | | DML64 | 2310.78 | 30.00 | 1.11 |



Short Sleeve



Long Sleeve



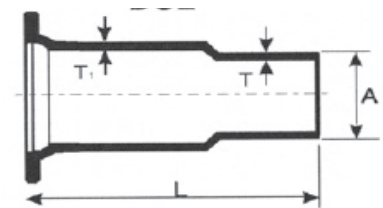
Dual Purpose Sleeve

Dual Purpose Sleeves

| Size | Item No. | Wt. | L1 | T |
|------|----------|-----|----|------|
| 4 | DDL4 | 32 | 12 | 0.52 |
| 6 | DDL6 | 50 | 12 | 0.55 |
| 8 | DDL8 | 65 | 12 | 0.60 |
| 10 | DDL10 | 89 | 12 | 0.63 |
| 12 | DDL12 | 104 | 12 | 0.68 |

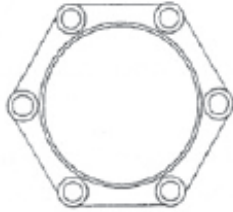
Dual Cutting-In Sleeves

| Size | Item No. | Wt. | T | T1 | A | L1 |
|------|----------|-----|------|------|-------|----|
| 3 | DCL3 | 34 | 0.33 | 0.35 | 3.96 | 20 |
| 4 | DCL4 | 50 | 0.34 | 0.37 | 4.80 | 20 |
| 6 | DCL6 | 62 | 0.36 | 0.39 | 6.90 | 20 |
| 8 | DCL8 | 90 | 0.38 | 0.41 | 9.05 | 20 |
| 10 | DCL10 | 105 | 0.40 | 0.43 | 11.10 | 20 |
| 12 | DCL12 | 128 | 0.42 | 0.45 | 13.20 | 20 |
| 14 | DCL14 | | 0.47 | 0.50 | 15.30 | 24 |
| 16 | DCL16 | | 0.50 | 0.53 | 17.40 | 24 |
| 18 | DCL18 | | 0.54 | 0.57 | 19.50 | 24 |
| 20 | DCL20 | | 0.57 | 0.60 | 21.60 | 24 |
| 24 | DCL24 | | 0.61 | 0.64 | 25.8 | 24 |



Dual Cutting- In Sleeves

Mechanical Joint Accessories



Standard MJ Glands

| Size | Item No. | Wt. |
|------|----------|--------|
| 2 | DG2 | 1.30 |
| 3 | DG3 | 2.08 |
| 4 | DG4 | 3.33 |
| 6 | DG6 | 4.93 |
| 8 | DG8 | 5.85 |
| 10 | DG10 | 7.84 |
| 12 | DG12 | 9.85 |
| 14 | DG14 | 14.70 |
| 16 | DG16 | 18.19 |
| 18 | DG18 | 29.81 |
| 20 | DG20 | 33.95 |
| 24 | DG24 | 40.00 |
| 30 | DG30 | 83.77 |
| 36 | DG36 | 114.00 |
| 42 | DG42 | 165 |
| 48 | DG48 | 192 |
| 54 | DG54 | 286.5 |
| 60 | DG60 | 312 |

Light Weight MJ Glands

| Size | Item No. | Wt. |
|------|----------|-------|
| 3 | DG3 | 2.08 |
| 4 | DG4 | 3.33 |
| 6 | DG6 | 4.93 |
| 8 | DG8 | 5.85 |
| 10 | DG10 | 7.84 |
| 12 | DG12 | 9.85 |
| 14 | DG14 | 14.70 |
| 16 | DG16 | 18.19 |



Standard MJ Gaskets



Transition Gaskets

| Size | Item No. | Wt. | Item No. | Wt. |
|------|----------|------|----------|------|
| 2 | MG2 | | | |
| 3 | MG3 | 0.25 | TG3 | 0.50 |
| 4 | MG4 | 0.30 | TG4 | 0.60 |
| 6 | MG6 | 0.50 | TG6 | 0.75 |
| 8 | MG8 | 0.75 | TG8 | 1.10 |
| 10 | MG10 | 0.80 | TG10 | 1.30 |
| 12 | MG12 | 1.00 | TG12 | 1.65 |
| 14 | MG14 | 1.30 | | |
| 16 | MG16 | 1.45 | | |
| 18 | MG18 | 1.60 | | |
| 20 | MG20 | 1.90 | | |
| 24 | MG24 | 2.10 | | |
| 30 | MG30 | 2.30 | | |
| 36 | MG36 | 2.75 | | |
| 42 | MG42 | 3.20 | | |
| 48 | MG48 | 3.65 | | |
| 54 | MG54 | | | |
| 60 | MG60 | | | |
| 64 | MG64 | | | |

Gasket/Bolt Packs

| Size (in.) | Item No. | Wt. (lb.) |
|------------|----------|-----------|
| 3 | MGP3 | 3 |
| 4 | MGP4 | 4 |
| 6 | MGP6 | 6 |
| 8 | MGP8 | 7 |
| 10 | MGP10 | 8 |
| 12 | MGP12 | 9 |

MJ Gland Packs

| Size (in.) | Item No. | Wt. (lb.) |
|------------|----------|-----------|
| 2 | DGP2 | 6 |
| 3 | DGP3 | 7 |
| 4 | DGP4 | 8 |
| 6 | DGP6 | 12 |
| 8 | DGP8 | 15 |
| 10 | DGP10 | 20 |
| 12 | DGP12 | 25 |
| 14 | DGP14 | 37 |
| 16 | DGP16 | 43 |
| 18 | DGP18 | 47 |
| 20 | DGP20 | 61 |
| 24 | DGP24 | 72 |

Includes: Gland, MJ Gasket, and Standard T-Head Bolts & Nuts



C153 DUCTILE IRON MECHANICAL JOINT FITTINGS

Mechanical Joint Accessories (Continued)

Low Alloy, Corrosion Resistant Steel T-Head Bolts

Standard Bolts

| Size (in.) | Item No. | Wt. (lb.) |
|-------------|----------|-----------|
| 5/8 x 3 | TB30 | 0.5 |
| 3/4 x 3 1/2 | TB35 | 0.75 |
| 3/4 x 4 | TB40 | 0.85 |
| 3/4 x 4 1/2 | TB45 | 1 |
| 3/4 x 5 | TB50 | 1.25 |
| 1 x 6 | TB60 | 2.25 |
| 1 1/4 x 6 | TB61 | 2.5 |

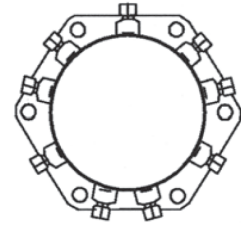


Anti-Rotation Bolts

| Size (in.) | Item No. | Wt. (lb.) |
|------------|----------|-----------|
| 3/4 x 3 | ATB35 | 0.75 |
| 3/4 x 4 | ATB40 | 1 |
| 3/4 x 4 | ATB45 | 1.25 |
| 3/4 x 5 | ATB50 | 1.5 |

MJ Retainer Glands

| Pipe Size | Item No. | Wt. | IRON PIPE O.D. | Rating (psi) | Set Screws | | |
|-----------|----------|-----|-------------------|-----------------|------------|-------------|-----------------|
| | | | | | Qty | Size | Torque (ft-lbs) |
| 3 | RMG3 | 5 | 3.96 | 350 | 4 | 5/8 X 2 | 85 |
| 4 | RMG4 | 7 | 4.80 | 350 | 4 | 5/8 X 2 | 85 |
| 6 | RMG6 | 12 | 6.90 | 350 | 6 | 5/8 X 2 | 85 |
| 8 | RMG8 | 16 | 9.05 | 250 | 9 | 5/8 X 2 | 85 |
| 10 | RMG10 | 22 | 11.10 | 250 | 16 | 5/8 X 2 | 85 |
| 12 | RMG12 | 28 | 13.20 | 250 | 16 | 5/8 X 2 | 85 |
| 14 | RMG14 | 45 | 15.30 | 250 | 20 | 5/8 X 2 | 85 |
| 16 | RMG16 | 52 | 17.40 | 250 | 24 | 5/8 X 2 | 85 |
| 18 | RMG18 | 62 | 19.50 | 200 | 24 | 5/8 X 2 | 85 |
| 20 | RMG20 | 75 | 21.60 | 200 | 28 | 3/4 X 2-1/2 | 110 |
| 24 | RMG24 | 97 | 25.80 | 200 | 32 | 3/4 X 2-1/2 | 110 |
| 30 | RMG30 | 196 | 32.00 | 100 | 40 | 3/4 X 2-1/2 | 110 |
| 36 | RMG36 | 246 | 38.30 | 100 | 48 | 3/4 X 2-1/2 | 110 |
| 42 | RMG42 | 302 | 44.50 | 100 | 56 | 3/4 X 2-1/2 | 110 |
| 48 | RMG48 | 380 | 50.80 | 100 | 64 | 3/4 X 2-1/2 | 110 |



Retainer Packs

| Size | Item No. | Wt. |
|------|----------|-----|
| 3 | RGP3 | 9 |
| 4 | RGP4 | 10 |
| 6 | RGP6 | 15 |
| 8 | RGP8 | 19 |
| 10 | RGP10 | 25 |
| 12 | RGP12 | 32 |

Transition Gland Pack - (includes Gland, Transition Gasket and Std. T-head bolts)

| Size | Item No. | Wt. |
|------|----------|-----|
| 3 | DXP3 | 7 |
| 4 | DXP4 | 8 |
| 6 | DXP6 | 12 |
| 8 | DXP8 | 15 |
| 10 | DXP10 | 20 |
| 12 | DXP12 | 25 |

Weights in Pounds, Less Accessories / Dimensions in inches
Ductile Iron Class 350 per ANSI/AWWA C153/A21.53



C153 MJ Non-Standard Items:

| Item # | Description |
|----------|--|
| •DCL16 | C153 DI 16" X 16" MJ X MJ CUT-IN SLEEVE |
| •DMB1612 | C153 DI 16" X 12" MJ X MJ REDUCING BEND |
| •DMB1830 | C153 DI 18" X 30" MJ X MJ 30 BEND |
| •DMB211 | C153 DI 2" MJ x MJ 11-1/4 DEGREE BEND |
| •DMB222 | C153 DI 2" MJ x MJ 22-1/2 DEGREE BEND |
| •DMB2405 | C153 DI 24" X 24" MJ X MJ 5-5/8 DEGREE BEND |
| •DMB3005 | C153 DI 30" X 30" MJ X MJ 5-5/8 DEGREE BEND |
| •DMB3605 | C153 DI 36" X 36" MJ X MJ 5-5/8 DEGREE BEND |
| •DMB4205 | C153 DI 42" X 42" MJ X MJ 5-5/8 DEGREE BEND |
| •DMB4260 | C153 DI MJ 42X60 BEND |
| •DMB4805 | C153 DI 48" X 48" MJ X MJ 5-5/8 DEGREE BEND |
| •DMB4830 | C153 DI 48" X 30" MJ X MJ 30 DEGREE BEND |
| •DMC186 | C153 DI 18" X 6" MJ X MJ CROSS |
| •DMF103 | C153 DI 10" X 3" MJ X FLG TEE |
| •DML2 | C153 DI 2" X 2" MJ X MJ LONG SLEEVE |
| •DTK2 | C153 DI 2" MJ CAP (TAPPED) |
| •PPR83 | C153 DI 8" X 3" PE X PE CONCENTRIC REDUCER |
| •SPR62 | C153 DI 6" X 2" PE X MJ SEB CONCENTRIC REDUCER |
| •SPR83 | C153 DI 8" X 3" PE X MJ SEB CONCENTRIC REDUCER |
| •SSA824 | C153 DI 8" X 24" SOLID X SWL ADAPTER |
| •SSA836 | C153 DI 8" X 36" SOLID X SWL ADAPTER |
| •TG2 | 2" MJ TRANS RUBBER GSKT |
| •DML2 | C153 DI 2" X 2" MJ X MJ LONG SLEEVE |
| •DMR4220 | C153 DI 42" X 20" MJ X MJ CONCENTRIC REDUCER |
| •DMR4820 | C153 DI 48" X 20" MJ X MJ CONCENTRIC REDUCER |
| •DMR83 | C153 DI 8" X 3" MJ X MJ CONCENTRIC REDUCER |
| •DMT304 | C153 DI 30" X 4" MJ X MJ TEE |
| •DMT62 | C153 DI 6" X 2" MJ X MJ TEE |

Note: Contact SIGMA for more information on non-standard fittings.



Weights in Pounds, Less Accessories / Dimensions in inches
 Ductile Iron Class 350 per ANSI/AWWA C153/A21.53

LOCATIONS

Northeast Region

Cream Ridge, New Jersey (HQ)

700 Goldman Drive
Cream Ridge, NJ 08514
Phone (800) 999-2550
crmcsr@sigmaco.com

REPCO

51 Rue Gingras
Warwick, QC J0A 1M0
Phone (888) 744-6262
jbourcher@repco.ca

Concord Supply

2353 Bowman Street
Innisfil, Ontario L9S 3V6
Phone (877) 436-3800
tanya@concordsupply.ca

Midwest Region

Sauk Village, Illinois

21699 Torrence Avenue
Sauk Village, IL 60411
Phone (888) 999-0420
chicrs@sigmaco.com

Denver, Colorado

22700 I-76 Frontage Rd
Brighton, CO 80603
Phone (888) 999-0420
dbrugger@sigmaco.com

Southeast Region

Alexander City, Alabama

1500 Highway 22 W
Alexander City, AL 35010
Phone (800) 824-4513
alxcsr@sigmaco.com

Southwest Region

Houston, Texas

5000 Askins Lane
Houston, TX 77093
Phone (800) 999-0109
htncsr@sigmaco.com

Western Region

Ontario, California

4652 E. Guasti Road
Ontario, CA 91761
Phone (800) 688-6230
ontcsr@sigmaco.com

Auburn, Washington (Branch)

902 W Main Street
Auburn, WA 98001
Phone (800) 688-6230
ontcsr@sigmaco.com

www.sigmaco.com

Terms and Conditions of Sales available at our website.

AWWA Ductile Iron Fittings



- 2-64" C153 Ductile Iron Mechanical Joint Fittings
- 2-48" C110 Ductile Iron Mechanical Joint Fittings
- 2-64" C110 Ductile Iron Flanged Fittings
- 3-24" C153 Ductile Iron Push-On Fittings
- 4-24" C110 Ductile Iron Push-On Fittings
- 3-36" Ductile Iron Mechanical Joint Connector
- C116 Fusion Bonded Epoxy Lining Available
- PROTECTO 401® Ceramic Epoxy Lining Available

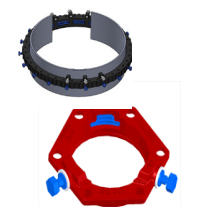
Visit our website for available special coatings. <https://www.sigmaco.com/project/fittings-coatings-linings/>

Mechanical Joint Accessories



- Prepackaged and Loose Mechanical Joint Accessories
- SIGMASEAL™ Improved Mechanical Joint Gasket
- Snap-On Multi-Purpose Gasket for Ductile Iron or PVC Pressure Pipes
- OMNI-SLEEVE™ Improved Wall Penetration Sleeve
- Specialty Bolts and Nuts for Mechanical Joint Assemblies

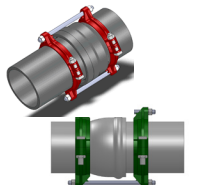
ONE-LOK™ Wedge Action Restraints



- 3-48" ONE-LOK D-SLDE Domestic Wedge Restraint for Ductile Iron Pipe
- 3-64" ONE-LOK SLDE Wedge Restraint for Ductile Iron Pipe (Import)
- 4-48" ONE-LOK T-SLDE Tandem Wedge Restraint for High Pressure Ductile Iron Pipe
- 3-36" ONE-LOK D-SLCE Domestic Wedge Restraint for PVC Pipe
- 3-12" ONE-LOK SLC Wedge Restraint for PVC Pipe (Import)
- 3-60" ONE-LOK SLCE Wedge Restraint for PVC Pipe (Import)
- 3-42" ONE-LOK SLDEH Wedge Harness Restraint for Ductile Iron Pipe
- 4-12" /16" /20" ONE-LOK SLDM Wedge Restraint for Oversized Cast Iron Pipe
- 4-48" ONE-LOK SSLD Split Wedge Restraint for Installed Ductile Iron Pipe & Fitting
- 4-36" ONE-LOK SSLDH Split Wedge Harness Restraint for Installed Ductile Iron Pipe
- 4-12" ONE-LOK SLCEH Wedge Harness Restraint for AWWA C900 PVC Pipe

Visit our website for available special coatings. <https://www.sigmaco.com/download/corsafe-alternative-coating-for-enhanced-exterior-corrosion-protection-on-wedge-and-serration-type-restrainers/>

PV-LOK™ Serration Lock Restraints



- 4-48" PV-LOK PWM Serrated Restraint for Ductile Iron Fitting & AWWA C900/905 PVC Pipe
- 4-48" PV-LOK PWP Serrated Bell Joint Restraint for AWWA C900/905 PVC Pipe
- 4-12" PV-LOK D-PWP Domestic Serrated Bell Joint Restraint for AWWA C900 PVC Pipe
- 4-12" PV-LOK PVPF Restraint for AWWA C900/905 PVC Pipe & PVC Fitting
- 4-12" PV-LOK PWH Serrated Harness Restraint for AWWA C900 PVC Pipe
- 2-12" PV-LOK PVM Serrated Restraint for Ductile Iron & IPS OD PVC pipe
- 2-12" PV-LOK PVP Serrated Bell Joint Restraint for IPS OD PVC Pipe
- 2-8" PV-LOK PVPF Serrated Restraint for IPS OD PVC Pipe & PVC Fitting
- 4-12" PV-LOK PWP Serrated Bell Joint Restraint for Ductile Iron Pipe

Visit our website for available special coatings. <https://www.sigmaco.com/download/corsafe-alternative-coating-for-enhanced-exterior-corrosion-protection-on-wedge-and-serration-type-restrainers/>

HDPE (Raven) Products



- Rotational Molded Meter Boxes & Pits
- Optional White Interior Available
- Light & Medium Duty Load Capacities
- Extensive Nationwide Inventory
- Rotational Molded Oil-Water Separators
- OEM Service Available

Municipal Construction Castings



- Manhole Rings and Covers
- Curb and Meter Boxes
- Frames and Grates
- Storm Inlets
- Valve Boxes, Risers, and Extensions

Products for the Ductile Iron Fabricator



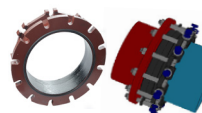
- 3-64" High Hub Threaded Flanges
- 3-48" Tapped High Hub Threaded Flanges
- 3-36" Extra Heavy 250lb Drilled Threaded Flanges
- 3-48" Threaded MJ Bell Adapters
- 3-48" MJ x PE Bell adapter
- 3-48" Anchor Flanges
- 3-16" Filler Flanges

Extended Range Products



- Flange-Pak™ Prepackaged Flange Accessory Sets
- Polyethylene Encasement for Ductile Iron Pipe
- Copper Tubing Products
- Tracer Wire & Detectable/Non-Detectable Marking Tape
- Pipe Joint Lubricant & Hydraulic Cement
- Socket Clamps and Tie Rod Accessories
- Boxlok Valve Box Alignment Device
- Cast Iron Companion Flanges

Flange Adapters



- 3-36" SIGMAFLANGE Flange Adapter Sleeve for PVC and Ductile Iron Pipe
- 2-48" ZIP FLANGE Set Screw Style Flange Adapter
- 3-36" SIGMAFLANGE Universal Joint for Flanged Fittings, Flanged Pipes & Valves