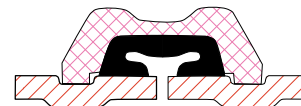
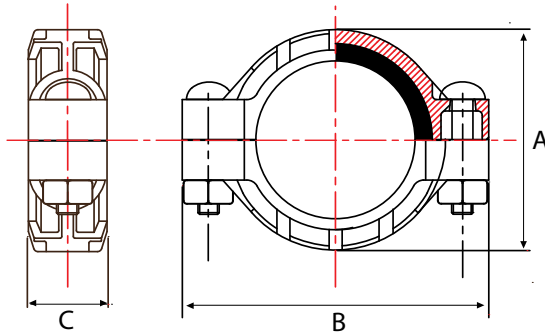




Fig. 65SF & 66SF

Standard Weight Flexible Coupling with "C" Gasket

- Maximum working pressure depending on coupling size and schedule of pipe:
 - 1" to 6" - 1000 psi (68.9 bar)
 - 8" to 12" - 800 psi (55.1 bar)
 - 14" to 20" - 300 psi (20.6 bar)
 - 24" - 250 psi (17.2 bar)
- UL Listed & FM Approved – 1" thru 12"
- All housings, gaskets and bolts identified by SCI logo
- Gasket Grade E - EPDM (green stripe) -30°F (-34°C) to +230°F (+110°C)
- Gasket Grade T - Nitrile (orange stripe) -20°F (-29°C) to +180°F (+82°C)
- Gasket Grade O - Fluoroelastomer (blue stripe) +20°F (-6°C) to +300°F (+149°C)
- Ductile iron housings conform to ASTM A-536 Grade 65-45-12
- Groove dimensions to AWWA C-606
- Finishes: Orange enamel paint
 - Hot dipped galvanized conforming to ASTM A-153
- Smith-Cooper Warranty only applies to assemblies made with housings, gaskets and bolts carrying the SCI logo




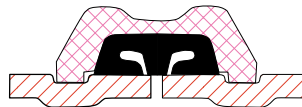
"C" Style Gasket

Pipe Size in / mm	Part Number		Pipe OD in / mm	Max Pipe End Gap in / mm	Dimensions			Deflection Degrees	Number of Sections	Case Qty	Weight lb / kg
	Painted	Galvanized			A	B	C				
1 25	65SF3010	66SF3010	1.315 33.7	1/8 3.2	2.34 59.5	3.94 100.0	1.73 44.0	2.3	2	26	1.3 0.6
1-1/4 32	65SF3012	66SF3012	1.660 42.2	1/8 3.2	2.70 68.5	4.41 112.0	1.89 48.0	2.1	2	24	2.2 1.0
1-1/2 40	65SF3014	66SF3014	1.900 48.3	1/8 3.2	2.93 74.5	4.69 119.0	1.89 48.0	1.9	2	24	2.3 1.0
2 50	65SF3020	66SF3020	2.375 60.3	1/8 3.2	3.48 88.5	5.20 132.0	1.89 48.0	2.0	2	20	2.5 1.1
2-1/2 65	65SF3024	66SF3024	2.875 73.0	1/8 3.2	4.04 102.5	5.71 145.0	1.89 48.0	2.3	2	16	3.0 1.4
3 80	65SF3030	66SF3030	3.500 88.9	1/8 3.2	4.63 117.5	6.50 165.0	1.89 48.0	2.0	2	16	3.3 1.5
4 100	65SF3040	66SF3040	4.500 114.3	1/4 6.4	6.00 152.4	8.35 212.0	2.13 54.0	2.2	2	8	6.1 2.8
5 125	65SF3050	66SF3050	5.563 141.3	1/4 6.4	7.07 179.5	10.04 255.0	2.13 54.0	1.8	2	6	8.5 3.9
6 150	65SF3060	66SF3060	6.625 168.3	1/4 6.4	8.31 211.0	11.42 290.0	2.15 54.5	1.6	2	4	10.6 4.8
8 200	65SF3080	66SF3080	8.625 219.1	1/4 6.4	10.35 263.0	13.62 346.0	2.48 63.0	1.4	2	-	16.4 7.5
10 250	65SF3100	66SF3100	10.750 273.0	1/4 6.4	12.87 327.0	16.61 422.0	2.64 67.0	1.2	2	-	25.3 11.5
12 300	65SF3120	66SF3120	12.750 323.9	1/4 6.4	14.88 378.0	18.66 474.0	2.64 67.0	1.1	2	-	29.6 13.4
14 350	65SF3140	66SF3140	14.000 355.6	1/4 6.4	15.94 405.0	19.96 507.0	2.91 74.0	1.0	4	-	39.2 17.8
16 400	65SF3160	66SF3160	16.000 406.4	1/4 6.4	17.72 450.0	22.01 559.0	2.91 74.0	0.9	4	-	42.9 19.5
18 450	65SF3180	66SF3180	18.000 457.6	1/4 6.4	20.08 510.0	24.53 623.0	3.15 80.0	0.8	4	-	54.0 24.5
20 500	65SF3200	66SF3200	20.000 508.0	1/4 6.4	22.09 561.0	26.57 675.0	3.15 80.0	0.7	4	-	57.3 26.0
24 600	65SF3240	66SF3240	24.000 609.6	1/4 6.4	26.10 663.0	30.59 777.0	3.15 80.0	0.6	6	-	76.9 34.9

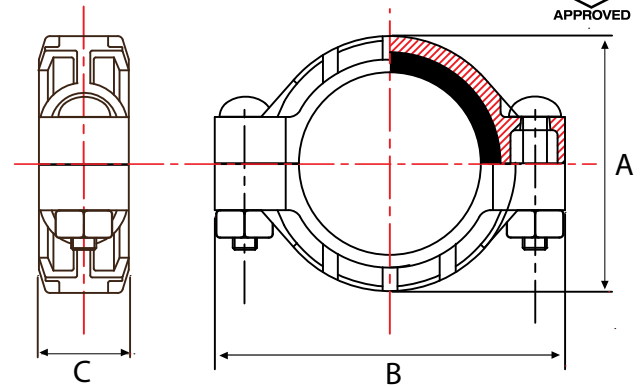
GROOVED

Fig. 65SFTRI & 66SFTRI
Standard Weight Flexible Coupling with Triple Seal Gasket

- Maximum working pressure depending on coupling size and schedule of pipe:
 1" to 6" - 1000 psi (68.9 bar)
 8" - 800 psi (55.1 bar)
- All housings, gaskets and bolts identified by SCI logo
- Gasket Grade E - EPDM (green stripe) -30°F (-34°C) to +230°F (+110°C)
- Other gasket materials available by special order
- Ductile iron housings conform to ASTM A-536 Grade 65-45-12
- Groove dimensions to AWWA C-606
- Finishes: Orange enamel paint
 Hot dipped galvanized conforming to ASTM A-153
- Smith-Cooper Warranty only applies to assemblies made with housings, gaskets and bolts carrying the  logo



Triple Seal Gasket – EPDM




Pipe Size in / mm	Part Number		Pipe OD in / mm	Max Pipe End Gap in / mm	Dimensions			Deflection Degrees	Number of Sections	Case Qty	Weight lb / kg
	Painted	Galvanized			A in / mm	B in / mm	C in / mm				
1-1/4 32	65SFTRI3012	66SFTRI3012	1.660 42.2	1/8 3.2	2.70 68.5	4.41 112.0	1.89 48.0	2.1	2	24	2.2 1.0
1-1/2 40	65SFTRI3014	66SFTRI3014	1.900 48.3	1/8 3.2	2.93 74.5	4.69 119.0	1.89 48.0	1.9	2	24	2.3 1.0
2 50	65SFTRI3020	66SFTRI3020	2.375 60.3	1/8 3.2	3.48 88.5	5.20 132.0	1.89 48.0	2.0	2	20	2.5 1.1
2-1/2 65	65SFTRI3024	66SFTRI3024	2.875 73.0	1/8 3.2	4.04 102.5	5.71 145.0	1.89 48.0	2.3	2	16	3.0 1.4
3 80	65SFTRI3030	66SFTRI3030	3.500 88.9	1/8 3.2	4.63 117.5	6.50 165.0	1.89 48.0	2.0	2	16	3.3 1.5
4 100	65SFTRI3040	66SFTRI3040	4.500 114.3	1/4 6.4	6.00 152.4	8.35 212.0	2.13 54.0	2.2	2	8	6.1 2.8
5 125	65SFTRI3050	66SFTRI3050	5.563 141.3	1/4 6.4	7.07 179.5	10.04 255.0	2.13 54.0	1.8	2	6	8.5 3.9
6 150	65SFTRI3060	66SFTRI3060	6.625 168.3	1/4 6.4	8.31 211.0	11.42 290.0	2.15 54.5	1.6	2	4	10.6 4.8
8 200	65SFTRI3080	66SFTRI3080	8.625 219.1	1/4 6.4	10.35 263.0	13.62 346.0	2.48 63.0	1.4	2	-	16.4 7.5

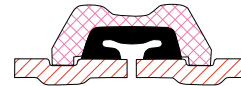
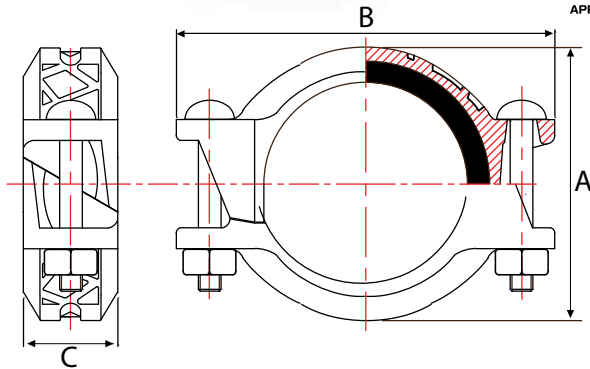
GROOVED

Please see complete installation instructions at www.smithcooper.com for important guidelines and limitations on the use and applications of COOPLOK™ Grooved Couplings and Fittings.



Fig. 65SR & 66SR
Standard Weight Rigid Coupling with "C" Gasket

- Maximum working pressure depending on coupling size and schedule of pipe:
 - 1" to 6" - 1000 psi (68.9 bar)
 - 8" - 800 psi (55.1 bar)
 - 10" & 12" - 600 psi (41.3 bar)
 - 14" to 20" - 300 psi (20.6 bar)
 - 24" - 250 psi (17.2 bar)
- UL Listed & FM Approved – 1" thru 12"
- All housings, gaskets and bolts identified by SCI logo
- Gasket Grade E - EPDM (green stripe) -30°F (-34°C) to +230°F (+110°C)
- Gasket Grade T - Nitrile (orange stripe) -20°F (-29°C) to +180°F (+82°C)
- Gasket Grade O - Fluoroelastomer (blue stripe) +20°F (-6°C) to +300°F (+149°C)
- Ductile iron housings conform to ASTM A-536 Grade 65-45-12
- Groove dimensions to AWWA C-606
- Finishes: Orange enamel paint
 - Hot dipped galvanized conforming to ASTM A-153
- Smith-Cooper Warranty only applies to assemblies made with housings, gaskets and bolts carrying the  logo



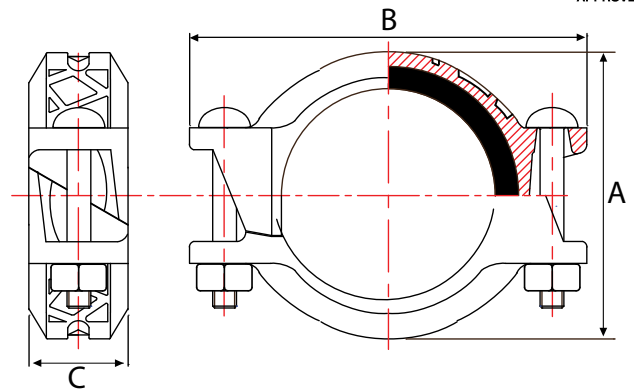
"C" Style Gasket

Pipe Size in / mm	Part Number		Pipe OD in / mm	Max Pipe End Gap in / mm	Dimensions			Number of Sections	Case Qty	Weight lb / kg
	Painted	Galvanized			A in / mm	B in / mm	C in / mm			
1 25	65SR3010	66SR3010	1.315 33.7	1/16 1.6	2.34 59.5	3.94 100.0	1.73 44.0	2	26	1.3 0.6
1-1/4 32	65SR3012	66SR3012	1.660 42.2	1/16 1.6	2.74 69.5	4.25 108.0	1.85 47.0	2	32	1.6 0.7
1-1/2 40	65SR3014	66SR3014	1.900 48.3	1/16 1.6	2.97 75.5	4.49 114.0	1.85 47.0	2	32	1.7 0.8
2 50	65SR3020	66SR3020	2.375 60.3	1/16 1.6	3.48 88.5	4.88 124.0	1.89 48.0	2	24	2.2 1.0
2-1/2 65	65SR3024	66SR3024	2.875 73.0	1/16 1.6	4.00 101.5	4.79 147.0	1.89 48.0	2	16	2.8 1.3
3 80	65SR3030	66SR3030	3.500 88.9	1/16 1.6	4.59 116.5	6.38 162.0	1.89 48.0	2	16	3.2 1.4
4 100	65SR3040	66SR3040	4.500 114.3	1/8 3.2	5.87 149.0	7.72 196.0	2.09 53.0	2	10	5.0 2.2
5 125	65SR3050	66SR3050	5.563 141.3	1/8 3.2	6.95 176.5	9.29 236.0	2.09 53.0	2	6	6.7 3.0
6 150	65SR3060	66SR3060	6.625 168.3	1/8 3.2	8.15 207.0	10.55 268.0	2.09 53.0	2	5	8.1 3.7
8 200	65SR3080	66SR3080	8.625 219.1	1/8 3.2	10.24 260.0	13.23 336.0	2.56 65.0	2	-	14.3 6.5
10 250	65SR3100	66SR3100	10.750 273.0	1/8 3.2	12.71 323.0	15.82 402.0	2.56 65.0	2	-	20.7 9.4
12 300	65SR3120	66SR3120	12.750 323.9	1/8 3.2	14.92 379.0	18.03 458.0	2.56 65.0	2	-	25.4 11.5
14 350	65SR3140	66SR3140	14.000 355.6	1/8 3.2	16.02 407.0	19.45 494.0	2.87 73.0	3	-	33.5 15.2
16 400	65SR3160	66SR3160	16.000 406.4	1/8 3.2	18.03 458.0	21.50 546.0	2.87 73.0	3	-	36.9 16.7
18 450	65SR3180	66SR3180	18.000 457.6	1/8 3.2	20.16 512.0	23.46 596.0	2.99 76.0	3	-	9.4 17.9
20 500	65SR3200	66SR3200	20.000 508.0	1/8 3.2	22.13 562.0	26.06 662.0	3.07 78.0	4	-	53.9 24.5
24 600	65SR3240	66SR3240	24.000 609.6	1/8 3.2	26.14 664.0	30.08 764.0	3.07 78.0	4	-	69.0 31.3

GROOVED

Fig. 65SRTRI & 66SRTRI
Standard Weight Rigid Coupling with Triple Seal Gasket

- Maximum working pressure depending on coupling size and schedule of pipe:
 1" to 6" - 1000 psi (68.9 bar)
 8" - 800 psi (55.1 bar)
- All housings, gaskets and bolts identified by SCI logo
- Gasket Grade E - EPDM (green stripe) -30°F (-34°C) to +230°F (+110°C)
- Other gasket materials available by special order
- Ductile iron housings conform to ASTM A-536 Grade 65-45-12
- Groove dimensions to AWWA C-606
- Finishes: Orange enamel paint
 Hot dipped galvanized conforming to ASTM A-153
- Smith-Cooper Warranty only applies to assemblies made with housings, gaskets and bolts carrying the logo




Pipe Size in / mm	Part Number		Pipe OD in / mm	Max Pipe End Gap in / mm	Dimensions			Number of Sections	Case Qty	Weight lb / kg
	Painted	Galvanized			A in / mm	B in / mm	C in / mm			
1-1/4 32	65SRTRI3012	66SRTRI3012	1.660 42.2	1/16 1.6	2.74 69.5	4.25 108.0	1.85 47.0	2	32	1.6 0.7
1-1/2 40	65SRTRI3014	66SRTRI3014	1.900 48.3	1/16 1.6	2.97 75.5	4.49 114.0	1.85 47.0	2	32	1.7 0.8
2 50	65SRTRI3020	66SRTRI3020	2.375 60.3	1/16 1.6	3.48 88.5	4.88 124.0	1.89 48.0	2	24	2.2 1.0
2-1/2 65	65SRTRI3024	66SRTRI3024	2.875 73.0	1/16 1.6	4.00 101.5	4.79 147.0	1.89 48.0	2	16	2.8 1.3
3 80	65SRTRI3030	66SRTRI3030	3.500 88.9	1/16 1.6	4.59 116.5	6.38 162.0	1.89 48.0	2	16	3.2 1.5
4 100	65SRTRI3040	66SRTRI3040	4.500 114.3	1/8 3.2	5.87 149.0	7.72 196.0	2.09 53.0	2	10	5.0 2.3
5 125	65SRTRI3050	66SRTRI3050	5.563 141.3	1/8 3.2	6.95 176.5	9.29 236.0	2.09 53.0	2	6	6.7 3.0
6 150	65SRTRI3060	66SRTRI3060	6.625 168.3	1/8 3.2	8.15 207.0	10.55 268.0	2.09 53.0	2	5	8.1 3.7
8 200	65SRTRI3080	66SRTRI3080	8.625 219.1	1/8 3.2	10.24 260.0	13.23 336.0	2.56 65.0	2	-	14.3 6.5

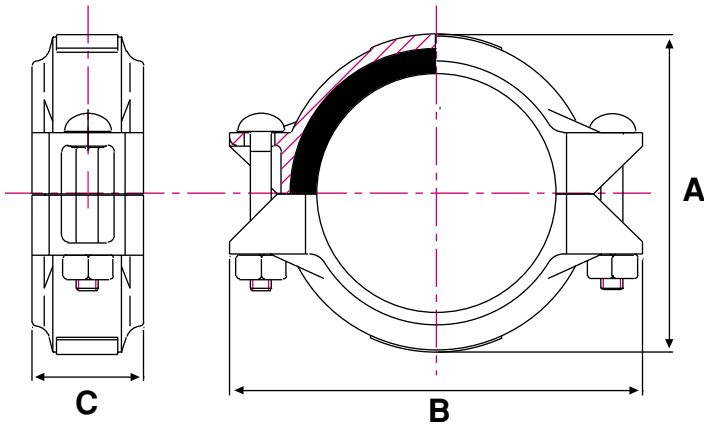
GROOVED

Please see complete installation instructions at www.smithcooper.com for important guidelines and limitations on the use and applications of COOPLOK™ Grooved Couplings and Fittings.



Fig. 65LF & 66LF
Lightweight Flexible Coupling with "C" Gasket

- Maximum working pressure 500 psi (34.5 bar) depending on coupling size and schedule of pipe
- All housings, gaskets and bolts identified by SCI logo
- 100% magnetic particle inspection of each bolt
- Each bolt has a minimum tensile strength of 110,000 psi
- Gasket Grade E - EPDM (green stripe) -30°F (-34°C) to +230°F (+110°C)
- Gasket Grade T - Nitrile (orange stripe) -20°F (-29°C) to +180°F (+82°C)
- Gasket Grade O - Fluoroelastomer (blue stripe) +20°F (-6°C) to +300°F (+149°C)
- Ductile iron housings conform to ASTM A-536 Grade 65-45-12
- Groove Dimensions to AWWA C-606
- Finishes: Orange enamel paint
Hot dipped galvanized conforming to ASTM A-153
- Smith-Cooper Warranty only applies to assemblies made with housings, gaskets and bolts carrying the  logo




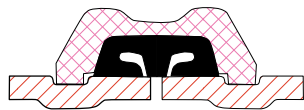
Pipe Size in / mm	Part Number		Pipe OD in / mm	Max Pipe End Gap in / mm	Dimensions			Deflection Degrees	Case Qty	Weight lb / kg
	Painted	Galvanized			A	B	C			
1-1/4 32	65LF3012	66LF3012	1.660 42.2	1/8 3.2	2.58 65.5	4.09 103.9	1.85 47.0	2.1°	24	1.2 0.5
1-1/2 40	65LF3014	66LF3014	1.900 48.3	1/8 3.2	2.85 72.4	4.37 111.0	1.85 47.0	1.9°	36	1.3 0.6
2 50	65LF3020	66LF3020	2.375 60.3	1/8 3.2	3.37 85.6	4.80 121.9	1.85 47.0	2.0°	30	1.7 0.8
2-1/2 65	65LF3024	66LF3024	2.875 73.0	1/8 3.2	3.88 98.6	5.28 134.1	1.85 47.0	2.3°	24	1.9 0.9
3 80	65LF3030	66LF3030	3.500 88.9	1/8 3.2	4.40 111.8	5.91 150.1	1.85 47.0	2.0°	20	2.2 1.0
4 100	65LF3040	66LF3040	4.500 114.3	1/4 6.4	5.75 146.1	7.44 189.0	2.01 51.1	2.2°	10	3.6 1.6
5 125	65LF3050	66LF3050	5.563 141.3	1/4 6.4	6.79 172.5	9.13 231.9	2.01 51.1	1.8°	8	5.1 2.3
6 150	65LF3060	66LF3060	6.625 168.3	1/4 6.4	7.95 201.9	10.31 261.9	2.01 51.1	1.6°	5	6.0 2.7
8 200	65LF3080	66LF3080	8.625 219.1	1/4 6.4	10.80 274.3	13.07 332.0	2.52 64.0	1.4°	-	10.7 4.8

GROOVED

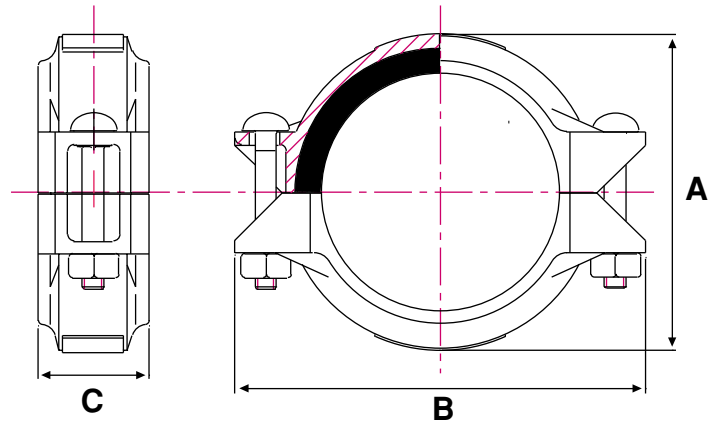
Fig. 65LFTRI & 66LFTRI

Lightweight Flexible Coupling with Triple Seal Gasket

- Maximum working pressure 500 psi (34.5 bar) depending on coupling size and schedule of pipe
- All housings, gaskets and bolts identified by SCI logo
- 100% magnetic particle inspection of each bolt
- Each bolt has a minimum tensile strength of 110,000 psi
- Gasket Grade E - EPDM (green stripe) -30°F (-34°C) to +230°F (+110°C)
- Ductile iron housings conform to ASTM A-536 Grade 65-45-12
- Groove dimensions to AWWA C-606
- Finishes: Orange enamel paint
Hot dipped galvanized conforming to ASTM A-153
- Smith-Cooper Warranty only applies to assemblies made with housings, gaskets and bolts carrying the  logo




Triple Seal Gasket – EPDM

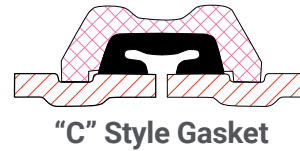
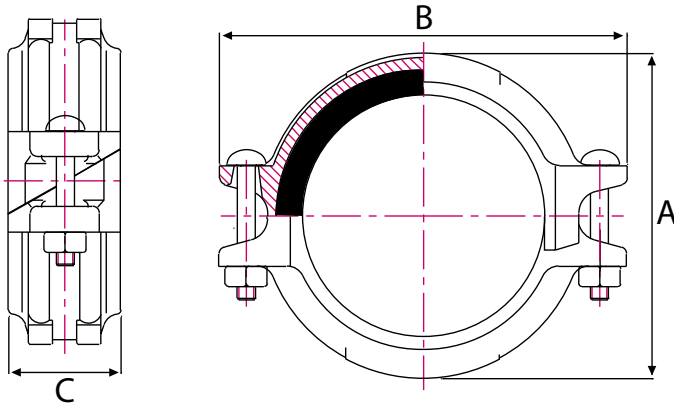


Pipe Size in / mm	Part Number		Pipe OD in / mm	Max Pipe End Gap in / mm	Dimensions			Deflection Degrees	Case Qty	Weight lb / kg
	Painted	Galvanized			A in / mm	B in / mm	C in / mm			
1-1/4 32	65LFTRI3012	66LFTRI3012	1.660 42.2	1/8 3.2	2.58 65.5	4.09 103.9	1.85 47.0	2.1°	36	1.2 0.5
1-1/2 40	65LFTRI3014	66LFTRI3014	1.900 48.3	1/8 3.2	2.85 72.4	4.37 111.0	1.85 47.0	1.9°	36	1.3 0.6
2 50	65LFTRI3020	66LFTRI3020	2.375 60.3	1/8 3.2	3.37 85.6	4.80 121.9	1.85 47.0	2.0°	30	1.7 0.8
2-1/2 65	65LFTRI3024	66LFTRI3024	2.875 73.0	1/8 3.2	3.88 98.6	5.28 134.1	1.85 47.0	2.3°	24	1.9 0.9
3 80	65LFTRI3030	66LFTRI3030	3.500 88.9	1/8 3.2	4.40 111.8	5.91 150.1	1.85 47.0	2.0°	20	2.2 1.0
4 100	65LFTRI3040	66LFTRI3040	4.500 114.3	1/4 6.4	5.75 146.1	7.44 189.0	2.01 51.1	2.2°	18	3.6 1.6
5 125	65LFTRI3050	66LFTRI3050	5.563 141.3	1/4 6.4	6.79 172.5	9.13 231.9	2.01 51.1	1.8°	12	5.1 2.3
6 150	65LFTRI3060	66LFTRI3060	6.625 168.3	1/4 6.4	7.95 201.9	10.31 261.9	2.01 51.1	1.6°	10	6.0 2.7
8 200	65LFTRI3080	66LFTRI3080	8.625 219.1	1/4 6.4	10.80 274.3	13.07 332.0	2.52 64.0	1.4°	-	10.7 4.8

GROOVED

Fig. 65LR & 66LR
Lightweight Rigid Coupling with "C" Gasket


- Maximum working pressure 500 psi (34.5 bar) depending on coupling size and schedule of pipe
- All housings, gaskets and bolts identified by SCI logo
- 100% magnetic particle inspection of each bolt
- Each bolt has a minimum tensile strength of 110,000 psi
- Gasket Grade E - EPDM (green stripe) -30°F (-34°C) to +230°F (+110°C)
- Gasket Grade T - Nitrile (orange stripe) -20°F (-29°C) to +180°F (+82°C)
- Gasket Grade O - Fluoroelastomer (blue stripe) +20°F (-6°C) to +300°F (+149°C)
- Ductile iron housings conform to ASTM A-536 Grade 65-45-12
- Groove dimensions to AWWA C-606
- Finishes: Orange enamel paint
Hot dipped galvanized conforming to ASTM A-153
- Smith-Cooper Warranty only applies to assemblies made with housings, gaskets and bolts carrying the  logo

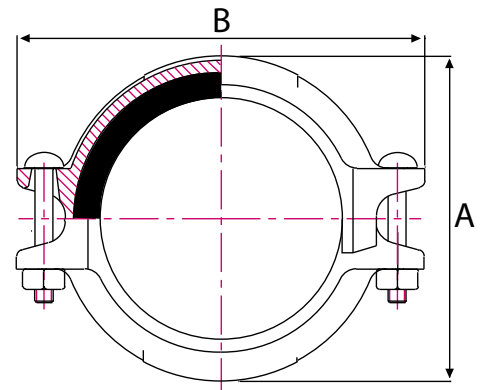
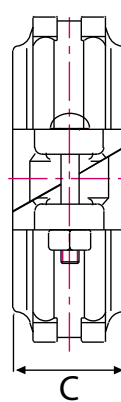


Pipe Size in / mm	Part Number		Pipe OD in / mm	Max Pipe End Gap in / mm	Dimensions			Case Qty	Weight lb / kg
	Painted	Galvanized			A	B	C		
1-1/4 32	65LR3012	66LR3012	1.660 42.2	1/16 1.6	2.66 67.6	4.09 103.9	1.85 47.0	24	1.3 0.6
1-1/2 40	65LR3014	66LR3014	1.900 48.3	1/16 1.6	2.93 74.4	4.37 111.0	1.85 47.0	36	1.4 0.6
2 50	65LR3020	66LR3020	2.375 60.3	1/16 1.6	3.44 87.4	4.80 121.9	1.85 47.0	30	1.7 0.8
2-1/2 65	65LR3024	66LR3024	2.875 73.0	1/16 1.6	3.96 100.6	5.28 134.1	1.85 47.0	24	2.0 0.9
3 80	65LR3030	66LR3030	3.500 88.9	1/16 1.6	4.55 115.6	5.91 150.1	1.85 47.0	20	2.2 1.0
4 100	65LR3040	66LR3040	4.500 114.3	1/8 3.2	5.83 148.1	7.28 184.9	2.01 51.1	10	3.4 1.5
5 125	65LR3050	66LR3050	5.563 141.3	1/8 3.2	6.87 174.5	8.62 218.9	2.01 51.1	8	4.4 2.0
6 150	65LR3060	66LR3060	6.625 168.3	1/8 3.2	8.03 204.0	9.76 247.9	2.01 51.1	6	5.4 2.4
8 200	65LR3080	66LR3080	8.625 219.1	1/8 3.2	10.16 258.1	12.52 318.0	2.52 64.0	-	10.5 4.8

GROOVED

Fig. 65LRTRI & 66LRTRI
Lightweight Rigid Coupling with Triple Seal Gasket

- Maximum working pressure 500 psi (34.5 bar) depending on coupling size and schedule of pipe
- All housings, gaskets and bolts identified by SCI logo
- 100% magnetic particle inspection of each bolt
- Each bolt has a minimum tensile strength of 110,000 psi
- Gasket Grade E - EPDM (green stripe) -30°F (-34°C) to +230°F (+110°C)
- Other gasket materials available by special order
- Ductile iron housings conform to ASTM A-536 Grade 65-45-12
- Groove dimensions to AWWA C-606
- Finishes: Orange enamel paint
 Hot dipped galvanized conforming to ASTM A-153
- Smith-Cooper Warranty only applies to assemblies made with housings, gaskets and bolts carrying the  logo



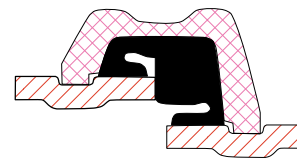
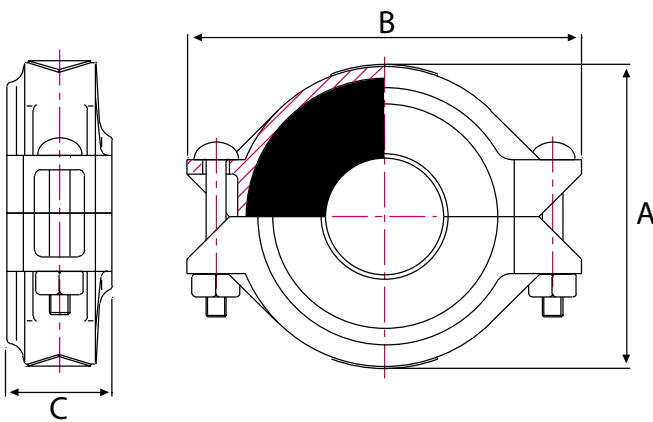
Pipe Size in / mm	Part Number		Pipe OD in / mm	Max Pipe End Gap in / mm	Dimensions			Case Qty	Weight lb / kg
	Painted	Galvanized			A in / mm	B in / mm	C in / mm		
1-1/4 32	65LRTRI3012	66LRTRI3012	1.660 42.2	1/16 1.6	2.66 67.6	4.09 103.9	1.85 47.0	36	1.3 0.6
1-1/2 40	65LRTRI3014	66LRTRI3014	1.900 48.3	1/16 1.6	2.93 74.4	4.37 111.0	1.85 47.0	36	1.4 0.6
2 50	65LRTRI3020	66LRTRI3020	2.375 60.3	1/16 1.6	3.44 87.4	4.80 121.9	1.85 47.0	30	1.7 0.8
2-1/2 65	65LRTRI3024	66LRTRI3024	2.875 73.0	1/16 1.6	3.96 100.6	5.28 134.1	1.85 47.0	24	2.0 0.9
3 80	65LRTRI3030	66LRTRI3030	3.500 88.9	1/16 1.6	4.55 115.6	5.91 150.1	1.85 47.0	20	2.2 1.0
4 100	65LRTRI3040	66LRTRI3040	4.500 114.3	1/8 3.2	5.83 148.1	7.28 184.9	2.01 51.1	18	3.4 1.5
5 125	65LRTRI3050	66LRTRI3050	5.563 141.3	1/8 3.2	6.87 174.5	8.62 218.9	2.01 51.1	12	4.4 2.0
6 150	65LRTRI3060	66LRTRI3060	6.625 168.3	1/8 3.2	8.03 204.0	9.76 247.9	2.01 51.1	10	5.4 2.4
8 200	65LRTRI3080	66LRTRI3080	8.625 219.1	1/8 3.2	10.16 258.1	12.52 318.0	2.52 64.0	-	10.5 4.8

GROOVED



**Fig. 65RC & 66RC
Reducing Coupling**

- Maximum working pressure 300 psi (20.7 bar) depending on coupling size and schedule of pipe
- All housings, gaskets and bolts identified by SCI logo
- 100% magnetic particle inspection of each bolt
- Each bolt has a minimum tensile strength of 110,000 psi
- Gasket Grade E - EPDM (green stripe) -30°F (-34°C) to +230°F (+110°C)
- Gasket Grade T - Nitrile (orange stripe) -20°F (-29°C) to +180°F (+82°C)
- Other gasket materials available by special order
- Ductile iron housings conform to ASTM A-536 Grade 65-45-12
- Groove dimensions to AWWA C-606
- Finishes: Orange enamel paint
Hot dipped galvanized conforming to ASTM A-153
- Smith-Cooper Warranty only applies to assemblies made with housings, gaskets and bolts carrying the SCI logo



Reducing Gasket

Pipe Size in / mm	Part Number		Max Pipe End Gap in / mm	Dimensions			Deflection Degrees	Case Qty	Weight lb / kg
	Painted	Galvanized		A	B	C			
2 x 1-1/2 50 x 40	65RC3020014	66RC3020014	1/8 3.2	3.43 87.1	4.88 124.0	1.85 47.0	2.0°	26	1.9 0.9
2-1/2 x 2 65 x 50	65RC3024020	66RC3024020	1/8 3.2	3.98 101.1	5.35 135.9	1.85 47.0	1.5°	22	2.3 1.0
3 x 2 80 x 50	65RC3030020	66RC3030020	1/8 3.2	4.51 114.5	6.34 161.0	1.85 47.0	1.8°	20	3.1 1.4
3 x 2-1/2 80 x 65	65RC3030024	66RC3030024	1/8 3.2	4.51 114.5	6.34 161.0	1.85 47.0	1.8°	20	3.0 1.3
4 x 2 100 x 50	65RC3040020	66RC3040020	1/4 6.4	5.83 148.1	7.52 191.0	2.01 51.1	1.2°	10	4.8 2.2
4 x 2-1/2 100 x 65	65RC3040024	66RC3040024	1/4 6.4	5.83 148.1	7.52 191.0	2.01 51.1	1.2°	10	4.8 2.2
4 x 3 100 x 80	65RC3040030	66RC3040030	1/4 6.4	5.83 148.1	7.52 191.0	2.01 51.1	1.2°	10	4.4 2.0
6 x 4 150 x 100	65RC3060040	66RC3060040	1/4 6.4	7.99 202.9	10.35 262.9	2.01 51.1	0.9°	-	9.0 4.1
8 x 6 200 x 150	65RC3080060	66RC3080060	1/4 6.4	10.12 257.0	13.15 334.0	2.48 63.0	0.8°	-	14.6 6.6

GROOVED

Fig. 65FH & 66FH
Hinged Flange Adapter

- Maximum working pressure 300 psi (20.7 bar) depending on flange size and schedule of pipe
- 3/8" x 2-3/4" latch bolt included
- SCI does not provide flange bolts
- All bolts and gaskets identified by SCI logo
- 100% magnetic particle inspection of each bolt
- Each bolt has a minimum tensile strength of 110,000 psi
- Gasket Grade E - EPDM (green stripe) -30°F (-34°C) to +230°F (+110°C)
- Gasket Grade T - Nitrile (orange stripe) -20°F (-29°C) to +180°F (+82°C)
- Ductile iron housings conform to ASTM A-536 Grade 65-45-12
- Groove dimensions to AWWA C-606
- Matches Class 125/150 flange dimensions
- Finishes: Orange enamel paint
Hot dipped galvanized conforming to ASTM A-153
- Smith-Cooper Warranty only applies to assemblies made with housings, gaskets and bolts carrying the logo

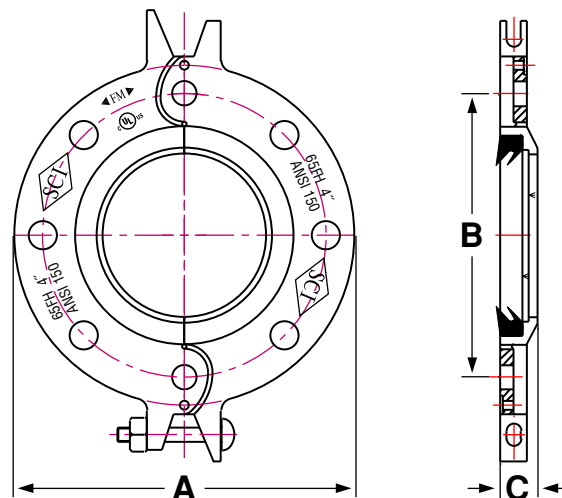


Fig. 65FHR
Phenolic Flange Ring

- For use when mating to a rubber flange seal or wafer-style butterfly valve
- 1/8" thick fabric-reinforced, laminated phenolic
- Available upon request



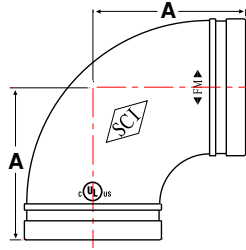
Phenolic Flange Ring

Pipe Size in / mm	Part Number		Pipe OD in / mm	Dimensions			Number of Flange Bolts	Case Qty	Weight lb / kg	Part Number Phenolic Flange Ring
	Painted	Galvanized		A	B	C				
2 50	65FH3020	66FH3020	2.375 60.3	6.00 152.4	4.75 120.7	0.75 19.1	4	10	3.6 1.6	65FHR020
2-1/2 65	65FH3024	66FH3024	2.875 73.0	7.00 177.8	5.50 139.7	0.88 22.4	4	10	3.6 1.6	65FHR024
3 80	65FH3030	66FH3030	3.500 88.9	7.50 190.5	6.00 152.4	0.94 23.9	4	10	4.8 2.2	65FHR030
4 100	65FH3040	66FH3040	4.500 114.3	9.00 228.6	7.50 190.5	0.94 23.9	8	10	6.6 3.0	65FHR040
5 125	65FH3050	66FH3050	5.563 141.3	10.00 254.0	8.50 215.9	0.94 23.9	8	-	8.1 3.7	65FHR050
6 150	65FH3060	66FH3060	6.625 168.3	11.00 279.4	9.50 241.3	1.00 25.4	8	-	8.4 3.8	65FHR060
8 200	65FH3080	66FH3080	8.625 219.1	13.50 342.9	11.75 298.5	1.12 28.4	8	-	14.3 6.5	65FHR080
10 250	65FH3100	66FH3100	10.750 273.0	16.00 406.4	14.25 361.9	1.19 30.2	12	-	19.4 8.0	65FHR100
12 300	65FH3120	66FH3120	12.750 323.9	19.00 482.6	17.00 431.8	1.25 31.7	12	-	28.8 13.0	65FHR120

GROOVED

Fig. 65E & 66E
90° Elbow, Standard Radius

- Ductile Iron - Full Flow
- UL/FM - 1-1/4" to 12" only

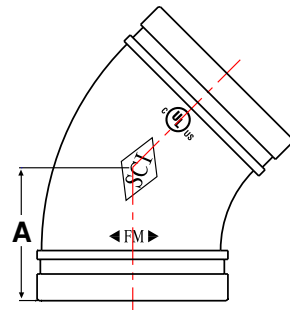


Pipe Size in / mm	Part Number		A in / mm	Case Qty	Weight lb / kg
	Painted	Galvanized			
1-1/4 32	65E 3012	66E 3012	2.75 69.9	50	1.0 0.4
1-1/2 40	65E 3014	66E 3014	2.75 69.9	36	1.2 0.5
2 50	65E 3020	66E 3020	3.25 82.6	20	2.1 0.9
2-1/2 65	65E 3024	66E 3024	3.75 95.3	12	2.7 1.2
3 80	65E 3030	66E 3030	4.25 108.0	8	3.8 1.7
4 100	65E 3040	66E 3040	5.00 127.0	8	7.6 3.4
5 125	65E 3050	66E 3050	5.50 139.7	-	10.6 4.8
6 150	65E 3060	66E 3060	6.50 165.1	-	15.7 7.1
8 200	65E 3080	66E 3080	7.75 196.9	-	28.7 13.0
10 250	65E 3100	66E 3100	9.00 229.0	-	50.7 23.0
12 300	65E 3120	66E 3120	10.00 254.0	-	70.1 31.8
14 350	65E 3140	66E 3140	14.00 356.0	-	106.9 48.5
16 400	65E 3160	66E 3160	16.00 406.0	-	158.7 72.0

18" through 24" sizes available upon request.

Fig. 65F & 66F
45° Elbow, Standard Radius

- Ductile Iron - Full Flow
- UL/FM - 1-1/4" to 12" only



Pipe Size in / mm	Part Number		A in / mm	Case Qty	Weight lb / kg
	Painted	Galvanized			
1-1/4 32	65F 3012	66F 3012	1.75 44.5	65	0.7 0.3
1-1/2 40	65F 3014	66F 3014	1.75 44.5	55	0.8 0.4
2 50	65F 3020	66F 3020	2.00 50.8	30	1.5 0.7
2-1/2 65	65F 3024	66F 3024	2.25 57.2	20	2.0 0.9
3 80	65F 3030	66F 3030	2.50 63.5	10	2.8 1.3
4 100	65F 3040	66F 3040	3.00 76.2	6	4.7 2.2
5 125	65F 3050	66F 3050	3.25 82.6	-	7.5 3.4
6 150	65F 3060	66F 3060	3.50 88.9	-	9.8 4.5
8 200	65F 3080	66F 3080	4.25 108.0	-	19.5 8.8
10 250	65F 3100	66F 3100	4.75 121.0	-	30.3 13.7
12 300	65F 3120	66F 3120	5.25 133.0	-	42.7 19.4
14 350	65F 3140	66F 3140	5.79 147.0	-	51.8 23.5
16 400	65F 3160	66F 3160	6.61 168.0	-	72.7 33.0

18" through 24" sizes available upon request.

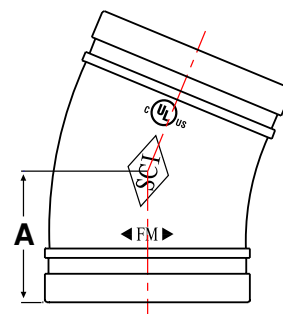
GROOVED

Pipe Size in / mm	Part Number		A in / mm	Case Qty	Weight lb / kg
	Painted	Galvanized			
1-1/4 32	65TT3012	66TT3012	1.75 44.5	85	0.7 0.3
1-1/2 40	65TT3014	66TT3014	1.75 44.5	75	0.8 0.4
2 50	65TT3020	66TT3020	1.88 47.8	30	1.2 0.5
2-1/2 65	65TT3024	66TT3024	2.00 50.8	24	1.5 0.7
3 80	65TT3030	66TT3030	2.25 57.2	14	2.3 1.0
4 100	65TT3040	66TT3040	2.62 66.5	16	3.8 1.7
5 125	65TT3050	66TT3050	2.88 73.2	-	5.9 2.7
6 150	65TT3060	66TT3060	3.12 79.2	-	8.2 3.7
8 200	65TT3080	66TT3080	3.88 98.6	-	16.2 7.3
10 250	65TT3100F	66TT3100F	4.38 111.2	-	30.0 13.6
12 300	65TT3120F	66TT3120F	4.88 123.9	-	40.0 18.1

14" through 24" sizes available upon request.

Fig. 65TT & 66TT
 22-1/2° Elbow, Standard Radius

- Ductile Iron - Full Flow
- (F) Fabricated Steel - Sch40, Cut Groove

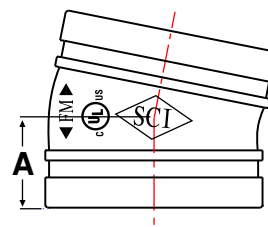


Pipe Size in / mm	Part Number		A in / mm	Case Qty	Weight lb / kg
	Painted	Galvanized			
1-1/4 32	65EL3012	66EL3012	1.37 34.8	115	0.6 0.3
1-1/2 40	65EL3014	66EL3014	1.37 34.8	90	0.7 0.3
2 50	65EL3020	66EL3020	1.37 34.8	60	0.8 0.4
2-1/2 65	65EL3024	66EL3024	1.50 38.1	36	1.2 0.5
3 80	65EL3030	66EL3030	1.50 38.1	18	1.6 0.7
4 100	65EL3040	66EL3040	1.75 44.5	24	2.8 1.3
5 125	65EL3050	66EL3050	2.00 50.8	-	4.3 2.0
6 150	65EL3060	66EL3060	2.00 50.8	-	5.5 2.5
8 200	65EL3080	66EL3080	2.00 50.8	-	8.3 3.8
10 250	65EL3100F	66EL3100F	2.13 54.1	-	20.0 9.1
12 300	65EL3120F	66EL3120F	2.25 57.1	-	30.0 13.6

14" through 24" sizes available upon request.

Fig. 65EL & 66EL
 11-1/4° Elbow, Standard Radius

- Ductile Iron - Full Flow
- (F) Fabricated Steel - Sch40, Cut Groove

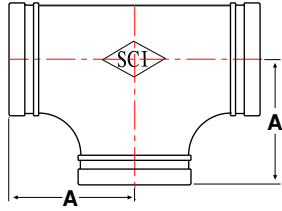


GROOVED

Please see complete installation instructions at www.smithcooper.com for important guidelines and limitations on the use and applications of COOPLOK™ Grooved Couplings and Fittings.

Fig. 65T & 66T
Tee, Standard Radius

- Ductile Iron - Full Flow
- UL/FM - 1-1/4" to 12" only

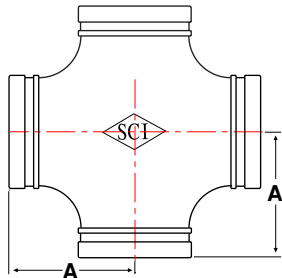


Pipe Size in / mm	Part Number		A in / mm	Case Qty	Weight lb / kg
	Painted	Galvanized			
1-1/4 32	65T 3012	66T 3012	2.75 69.9	35	1.4 0.7
1-1/2 40	65T 3014	66T 3014	2.75 69.9	24	1.7 0.8
2 50	65T 3020	66T 3020	3.25 82.6	15	3.1 1.4
2-1/2 65	65T 3024	66T 3024	3.75 95.3	7	4.1 1.9
3 80	65T 3030	66T 3030	4.25 108.0	10	5.8 2.6
4 100	65T 3040	66T 3040	5.00 127.0	5	10.0 4.5
5 125	65T 3050	66T 3050	5.50 139.7	-	15.0 6.8
6 150	65T 3060	66T 3060	6.50 165.1	-	22.3 10.1
8 200	65T 3080	66T 3080	7.75 196.9	-	41.1 18.6
10 250	65T 3100	66T 3100	9.00 229.0	-	64.8 29.4
12 300	65T 3120	66T 3120	10.00 254.0	-	90.9 41.2
14 350	65T 3140	66T 3140	11.00 279.0	-	116.8 53.0
16 400	65T 3160	66T 3160	12.00 305.0	-	145.0 65.9

18" through 24" sizes available upon request.

Fig. 65X & 66X
Cross, Standard Radius

- Ductile Iron - Full Flow
- UL/FM - 1-1/4" to 8" only

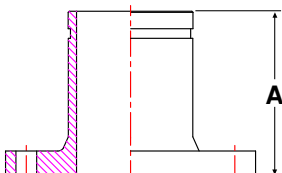


Pipe Size in / mm	Part Number		A in / mm	Case Qty	Weight lb / kg
	Painted	Galvanized			
1-1/4 32	65X 3012	66X 3012	2.75 69.9	20	1.8 0.8
1-1/2 40	65X 3014	66X 3014	2.75 69.9	16	2.0 0.9
2 50	65X 3020	66X 3020	3.25 82.6	20	3.3 1.5
2-1/2 65	65X 3024	66X 3024	3.75 95.3	10	4.9 2.2
3 80	65X 3030	66X 3030	4.25 108.0	7	7.3 3.3
4 100	65X 3040	66X 3040	5.00 127.0	4	10.0 4.5
5 125	65X 3050	66X 3050	5.50 139.7	-	15.3 6.9
6 150	65X 3060	66X 3060	6.50 165.1	-	24.6 11.1
8 200	65X 3080	66X 3080	7.75 196.9	-	41.6 18.9

10" through 24" sizes available upon request.

Fig. 65FA & 66FA
Grooved x Flange Adapter

- Ductile Iron
- UL/FM - 2" to 8" only
- Matches Class 125/150 flange dimensions



Pipe Size in / mm	Part Number		A in / mm	Case Qty	Weight lb / kg
	Painted	Galvanized			
2 50	65FA3020	66FA3020	4.00 101.6	8	4.0 1.8
2-1/2 65	65FA3024	66FA3024	4.00 101.6	5	5.4 2.5
3 80	65FA3030	66FA3030	4.00 101.6	4	6.4 2.9
4 100	65FA3040	66FA3040	6.00 152.4	-	12.7 5.8
6 150	65FA3060	66FA3060	6.00 152.4	-	19.0 8.6
8 200	65FA3080	66FA3080	6.00 152.4	-	28.8 13.1
10 250	65FA3100F	66FA3100F	8.00 203.2	-	66.0 30.0
12 300	65FA3120F	66FA3120F	10.00 254.0	-	97.0 44.1

5" & 14" through 24" sizes available upon request.

GROOVED

Pipe Size in / mm	Part Number		A in / mm	Case Qty	Weight lb / kg
	Painted	Galvanized			
1-1/4 32	65C 3012	66C 3012	0.88 22.4	200	0.3 0.1
1-1/2 40	65C 3014	66C 3014	0.88 22.4	140	0.4 0.2
2 50	65C 3020	66C 3020	0.88 22.4	80	0.6 0.3
2-1/2 65	65C 3024	66C 3024	0.88 22.4	60	1.0 0.5
3 80	65C 3030	66C 3030	0.88 22.4	40	1.5 0.7
4 100	65C 3040	66C 3040	1.00 25.4	24	2.6 1.2
5 125	65C 3050	66C 3050	1.00 25.4	12	4.0 1.8
6 150	65C 3060	66C 3060	1.00 25.4	10	5.4 2.5
8 200	65C 3080	66C 3080	1.19 30.2	5	11.5 5.2
10 250	65C 3100	66C 3100	1.26 32.0	-	17.7 8.0
12 300	65C 3120	66C 3120	1.26 32.0	-	23.6 10.7

14" through 24" sizes available upon request.

Pipe Size in / mm	Part Number		A in / mm	Case Qty	Weight lb / kg
	Painted				
2 50	65CT3020004		0.88 22.4	80	0.6 0.3
3 80	65CT3030004		0.88 22.4	40	1.5 0.7
4 100	65CT3040004		1.00 25.4	24	2.6 1.2
6 150	65CT3060004		1.00 25.4	10	5.4 2.5
8 200	65CT3080004		1.19 30.2	5	11.5 5.2

Fig. 65C & 66C
Cap

- Ductile Iron

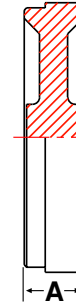
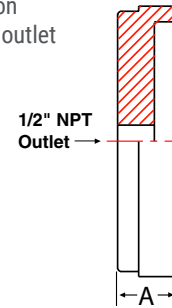


Fig. 65CT
Grooved Cap with Center Tap

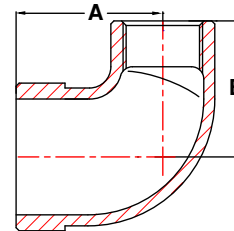
- Ductile Iron
- 1/2" NPT outlet



Pipe Size in / mm	Part Number		A in / mm	B in / mm	Case Qty	Weight lb / kg
	Painted	Galvanized				
1-1/4 x 1/2 32 x 15	65AE3012004	66AE3012004	1.88 48.0	1.75 44.4	90	0.6 0.3
1-1/4 x 3/4 32 x 20	65AE3012006	66AE3012006	1.88 48.0	1.75 44.5	90	0.6 0.3
1-1/4 x 1 32 x 25	65AE3012010	66AE3012010	2.02 51.3	2.00 50.8	75	0.8 0.3
1-1/2 x 1/2 40 x 15	65AE3014004	66AE3014004	1.88 48.0	1.75 44.4	69	0.6 0.3
1-1/2 x 3/4 40 x 20	65AE3014006	66AE3014006	1.88 48.0	1.75 44.4	69	0.7 0.3
1-1/2 x 1 40 x 25	65AE3014010	66AE3014010	2.02 51.3	2.00 50.8	60	0.8 0.4
2 x 1/2 50 x 15	65AE3020004	66AE3020004	1.88 48.0	1.75 44.4	45	0.8 0.4
2 x 3/4 50 x 20	65AE3020006	66AE3020006	1.88 48.0	1.75 44.4	45	0.9 0.4
2 x 1 50 x 25	65AE3020010	66AE3020010	2.02 51.3	2.00 50.8	45	1.0 0.5
2-1/2 x 1/2 65 x 15	65AE3024004	66AE3024004	1.88 48.0	1.97 50.0	36	1.0 0.5
2-1/2 x 3/4 65 x 20	65AE3024006	66AE3024006	1.88 48.0	1.97 50.0	36	1.1 0.5
2-1/2 x 1 65 x 25	65AE3024010	66AE3024010	2.02 51.3	2.00 50.8	36	1.2 0.5

Fig. 65AE & 66AE
Adapter Elbow, Grooved x Threaded

- Ductile Iron - Full Flow
- Threads meet ASME B1.20.1



GROOVED

Please see complete installation instructions at www.smithcooper.com for important guidelines and limitations on the use and applications of COOPLOK™ Grooved Couplings and Fittings.

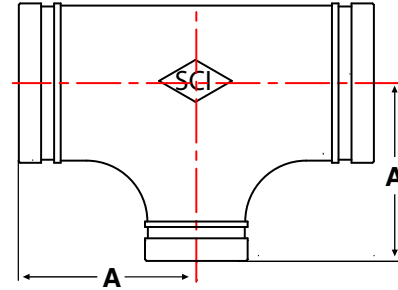
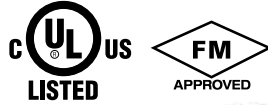


Fig. 65RT & 66RT
Reducing Tee

- Ductile Iron sizes – Full Flow
- UL/FM – 1-1/2" to 8"
- (F) Fabricated steel fittings – Schedule 40, cut grooved

Pipe Size in / mm	Part Number		A in / mm	Weight lb / kg
	Painted	Galvanized		
1-1/2 x 1-1/4 40 x 32	65RT3014012F	66RT3014012F	2.75 70.0	1.7 0.8
2 x 1-1/4 50 x 32	65RT3020012F	66RT3020012F	3.25 82.6	2.5 1.2
2 x 1-1/2 50 x 40	65RT3020014	66RT3020014	3.25 82.6	2.6 1.2
2-1/2 x 1-1/4 65 x 32	65RT3024012F	66RT3024012F	3.75 95.3	4.1 1.9
2-1/2 x 1-1/2 65 x 40	65RT3024014F	66RT3024014F	3.75 95.3	4.5 2.0
2-1/2 x 2 65 x 50	65RT3024020	66RT3024020	3.75 95.3	3.5 1.8
3 x 1-1/4 80 x 32	65RT3030012F	66RT3030012F	4.25 108.0	6.2 2.8
3 x 1-1/2 80 x 40	65RT3030014	66RT3030014	4.25 108.0	6.1 2.8
3 x 2 80 x 50	65RT3030020	66RT3030020	4.25 108.0	6.4 2.9
3 x 2-1/2 80 x 65	65RT3030024	66RT3030024	4.25 108.0	5.2 2.3
4 x 1-1/4 100 x 32	65RT3040012F	66RT3040012F	5.00 127.0	9.7 4.4
4 x 1-1/2 100 x 40	65RT3040014F	66RT3040014F	5.00 127.0	10.4 4.7
4 x 2 100 x 50	65RT3040020	66RT3040020	5.00 127.0	8.3 3.8
4 x 2-1/2 100 x 65	65RT3040024	66RT3040024	5.00 127.0	7.9 3.6
4 x 3 100 x 80	65RT3040030	66RT3040030	5.00 127.0	8.1 3.7
5 x 1-1/4 125 x 32	65RT3050012F	66RT3050012F	5.50 139.7	14.5 6.6
5 x 1-1/2 125 x 40	65RT3050014F	66RT3050014F	5.50 139.7	14.7 6.7
5 x 2 125 x 50	65RT3050020F	66RT3050020F	5.50 139.7	14.6 6.6
5 x 2-1/2 125 x 65	65RT3050024F	66RT3050024F	5.50 139.7	14.1 5.9
5 x 3 125 x 80	65RT3050030F	66RT3050030F	5.50 139.7	14.7 6.2
5 x 4 125 x 100	65RT3050040F	66RT3050040F	5.50 139.7	14.7 6.7
6 x 1-1/4 150 x 32	65RT3060012F	66RT3060012F	6.50 165.1	21.1 9.6
6 x 1-1/2 150 x 40	65RT3060014F	66RT3060014F	6.50 165.1	21.2 9.6
6 x 2 150 x 50	65RT3060020	66RT3060020	6.50 165.1	21.5 9.8
6 x 2-1/2 150 x 65	65RT3060024	66RT3060024	6.50 165.1	19.0 8.6
6 x 3 150 x 80	65RT3060030	66RT3060030	6.50 165.1	18.5 8.4
6 x 4 150 x 100	65RT3060040	66RT3060040	6.50 165.1	18.7 8.5

Pipe Size in / mm	Part Number		A in / mm	Weight lb / kg
	Painted	Galvanized		
6 x 5 150 x 125	65RT3060050F	66RT3060050F	6.50 165.1	26.4 12.0
8 x 2 200 x 50	65RT3080020F	66RT3080020F	7.75 196.9	38.1 17.3
8 x 2-1/2 200 x 65	65RT3080024F	66RT3080024F	7.75 196.9	38.8 17.6
8 x 3 200 x 80	65RT3080030	66RT3080030	7.75 196.9	34.7 17.9
8 x 4 200 x 100	65RT3080040	66RT3080040	7.75 196.9	34.5 15.7
8 x 5 200 x 125	65RT3080050	66RT3080050	7.75 196.9	40.5 18.3
8 x 6 200 x 150	65RT3080060	66RT3080060	7.75 196.9	36.4 16.5
10 x 2 250 x 50	65RT3100020F	66RT3100020F	9.00 228.6	63.5 28.8
10 x 2-1/2 250 x 65	65RT3100024F	66RT3100024F	9.00 228.6	65.1 29.5
10 x 3 250 x 80	65RT3100030F	66RT3100030F	9.00 228.6	66.4 30.1
10 x 4 250 x 100	65RT3100040F	66RT3100040F	9.00 228.6	68.8 24.3
10 x 5 250 x 150	65RT3100050F	66RT3100050F	9.00 228.6	71.7 32.5
10 x 6 250 x 150	65RT3100060	66RT3100060	9.00 228.6	69.5 31.5
10 x 8 250 x 200	65RT3100080	66RT3100080	9.00 228.6	78.2 35.4
12 x 2 300 x 50	65RT3120020F	66RT3120020F	10.00 254.0	84.2 38.2
12 x 2-1/2 300 x 65	65RT3120024F	66RT3120024F	10.00 254.0	85.2 38.7
12 x 3 300 x 80	65RT3120030F	66RT3120030F	10.00 254.0	86.1 39.1
12 x 4 300 x 100	65RT3120040F	66RT3120040F	10.00 254.0	87.7 39.8
12 x 5 300 x 125	65RT3120050F	66RT3120050F	10.00 254.0	89.6 40.7
12 x 6 300 x 150	65RT3120060F	66RT3120060F	10.00 254.0	98.1 44.5
12 x 8 300 x 200	65RT3120080F	66RT3120080F	10.00 254.0	106.1 48.1
12 x 10 300 x 250	65RT3120100F	66RT3120100F	10.00 254.0	116.0 52.6
14 x 4 350 x 100	65RT3140040F	66RT3140040F	11.00 279.4	109.8 49.8
14 x 6 350 x 150	65RT3140060F	66RT3140060F	11.00 279.4	117.4 53.2
14 x 8 350 x 200	65RT3140080F	66RT3140080F	11.00 279.4	126.2 57.3
14 x 10 350 x 250	65RT3140100F	66RT3140100F	11.00 279.4	137.2 62.2
14 x 12 350 x 300	65RT3140120F	66RT3140120F	11.00 279.4	145.6 66.0

*Other sizes and configurations available by special order.

GROOVED

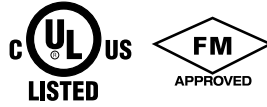
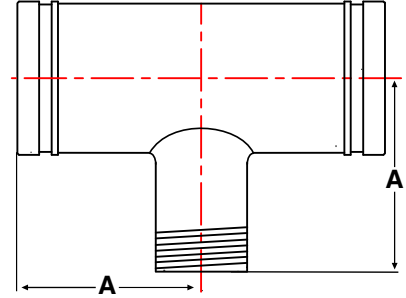


Fig. 65RTT & 66RTT
Reducing Tee - Grooved x Male NPT

- (F) Fabricated steel fittings – all sizes Schedule 40, cut grooved
- UL/FM – 2" to 8"
- Male NPT threads conform to ASME B1.20.1



Pipe Size in / mm	Part Number		A in / mm	Weight lb / kg
	Painted	Galvanized		
2 x 1 50 x 25	65RTT3020010F	66RTT3020010F	3.25 82.6	2.3 1.0
2 x 1-1/4 50 x 32	65RTT3020012F	66RTT3020012F	3.25 82.6	2.5 1.1
2 x 1-1/2 50 x 40	65RTT3020014F	66RTT3020014F	3.25 82.6	2.5 1.1
2-1/2 x 1 65 x 25	65RTT3024010F	66RTT3024010F	3.75 95.3	4.0 1.8
2-1/2 x 1-1/4 65 x 32	65RTT3024012F	66RTT3024012F	3.75 95.3	4.4 1.9
2-1/2 x 1-1/2 65 x 40	65RTT3024014F	66RTT3024014F	3.75 95.3	4.5 2.0
2-1/2 x 2 65 x 50	65RTT3024020F	66RTT3024020F	3.75 95.3	4.5 2.0
3 x 1 80 x 25	65RTT3030010F	66RTT3030010F	4.25 108.0	6.0 2.7
3 x 1-1/4 80 x 32	65RTT3030012F	66RTT3030012F	4.25 108.0	6.2 2.8
3 x 1-1/2 80 x 40	65RTT3030014F	66RTT3030014F	4.25 108.0	6.3 2.8
3 x 2 80 x 50	65RTT3030020F	66RTT3030020F	4.25 108.0	6.8 3.1
3 x 2-1/2 80 x 65	65RTT3030024F	66RTT3030024F	4.25 108.0	7.1 3.2
4 x 1 100 x 25	65RTT3040010F	66RTT3040010F	5.00 127.0	9.7 4.3
4 x 1-1/4 100 x 32	65RTT3040012F	66RTT3040012F	5.00 127.0	9.7 4.4
4 x 1-1/2 100 x 40	65RTT3040014F	66RTT3040014F	5.00 127.0	10.1 4.5
4 x 2 100 x 50	65RTT3040020F	66RTT3040020F	5.00 127.0	10.8 4.9
4 x 2-1/2 100 x 65	65RTT3040024F	66RTT3040024F	5.00 127.0	10.9 4.9
4 x 3 100 x 80	65RTT3040030F	66RTT3040030F	5.00 127.0	11.5 5.2
5 x 2 125 x 50	65RTT3050020F	66RTT3050020F	5.50 139.7	14.4 6.5
5 x 2-1/2 125 x 65	65RTT3050024F	66RTT3050024F	5.50 139.7	15.1 6.8
5 x 3 125 x 80	65RTT3050030F	66RTT3050030F	5.50 139.7	16.9 7.7
5 x 4 125 x 100	65RTT3050040F	66RTT3050040F	5.50 139.7	17.9 8.1
6 x 2 150 x 50	65RTT3060020F	66RTT3060020F	6.50 165.1	21.8 9.9
6 x 2-1/2 150 x 65	65RTT3060024F	66RTT3060024F	6.50 165.1	22.0 20.7

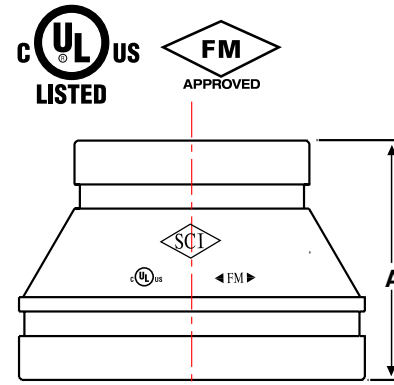
Pipe Size in / mm	Part Number		A in / mm	Weight lb / kg
	Painted	Galvanized		
6 x 3 150 x 80	65RTT3060030F	66RTT3060030F	6.50 165.1	22.0 10.0
6 x 4 150 x 100	65RTT3060040F	66RTT3060040F	6.50 165.1	24.7 11.2
6 x 5 150 x 125	65RTT3060050F	66RTT3060050F	6.50 165.1	27.8 12.6
8 x 2 200 x 50	65RTT3080020F	66RTT3080020F	7.75 196.9	37.4 17.0
8 x 2-1/2 200 x 65	65RTT3080024F	66RTT3080024F	7.75 196.9	38.0 17.2
8 x 3 200 x 80	65RTT3080030F	66RTT3080030F	7.75 196.9	38.6 17.5
8 x 4 200 x 100	65RTT3080040F	66RTT3080040F	7.75 196.9	40.5 18.3
8 x 5 200 x 125	65RTT3080050F	66RTT3080050F	7.75 196.9	42.0 19.0
8 x 6 200 x 150	65RTT3080060F	66RTT3080060F	7.75 196.9	51.0 23.1
10 x 2 250 x 50	65RTT3100020F	66RTT3100020F	9.00 228.6	61.8 28.0
10 x 3 250 x 80	65RTT3100030F	66RTT3100030F	9.00 228.6	63.3 28.7
10 x 4 250 x 100	65RTT3100040F	66RTT3100040F	9.00 228.6	64.0 29.0
10 x 5 250 x 125	65RTT3100050F	66RTT3100050F	9.00 228.6	65.1 29.5
10 x 6 250 x 150	65RTT3100060F	66RTT3100060F	9.00 228.6	64.8 24.9
10 x 8 250 x 200	65RTT3100080F	66RTT3100080F	9.00 228.6	64.5 29.3
12 x 3 300 x 80	65RTT3120030F	66RTT3120030F	10.00 254.0	84.5 38.4
12 x 4 300 x 100	65RTT3120040F	66RTT3120040F	10.00 254.0	85.7 38.9
12 x 5 300 x 125	65RTT3120050F	66RTT3120050F	10.00 254.0	87.0 39.5
12 x 6 300 x 150	65RTT3120060F	66RTT3120060F	10.00 254.0	88.2 40.0
12 x 8 300 x 200	65RTT3120080F	66RTT3120080F	10.00 254.0	91.0 41.3
12 x 10 300 x 250	65RTT3120100F	66RTT3120100F	10.00 254.0	94.7 43.0
14 x 8 350 x 200	65RTT3140080F	66RTT3140080F	11.00 279.4	110.0 50.0
14 x 10 350 x 250	65RTT3140100F	66RTT3140100F	11.00 279.4	114.0 51.8
14 x 12 350 x 300	65RTT3140120F	66RTT3140120F	11.00 279.4	117.0 53.1

*Other sizes and configurations available by special order.

Please see complete installation instructions at www.smithcooper.com for important guidelines and limitations on the use and applications of COOPLOK™ Grooved Couplings and Fittings.

**Fig. 65CR & 66CR
Concentric Reducer**

- Ductile Iron sizes – Full Flow
- UL/FM – 2" to 8"
- (F) Fabricated steel fittings – Schedule 40, cut grooved



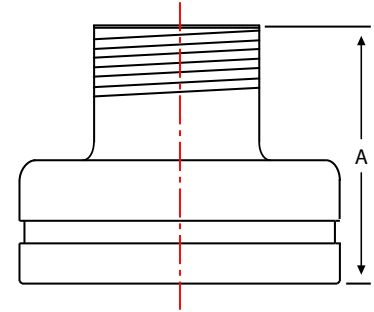
Pipe Size in / mm	Part Number		A in / mm	Weight lb / kg
	Painted	Galvanized		
2 x 1 50 x 25	65CR3020010F	66CR3020010F	2.50 64.0	0.8 0.4
2 x 1-1/4 50 x 32	65CR3020012	66CR3020012	2.50 64.0	0.7 0.3
2 x 1-1/2 50 x 40	65CR3020014	66CR3020014	2.50 64.0	0.8 0.4
2-1/2 x 1 65 x 25	65CR3024010F	66CR3024010F	2.50 64.0	1.0 0.5
2-1/2 x 1-1/4 65 x 32	65CR3024012	66CR3024012	2.50 64.0	1.1 0.50
2-1/2 x 1-1/2 65 x 40	65CR3024014	66CR3024014	2.50 64.0	1.0 0.5
2-1/2 x 2 65 x 50	65CR3024020	66CR3024020	2.50 64.0	1.1 0.5
3 x 1 80 x 25	65CR3030010F	66CR3030010F	2.50 64.0	1.3 0.6
3 x 1-1/4 80 x 32	65CR3030012	66CR3030012	2.50 64.0	1.4 0.6
3 x 1-1/2 80 x 40	65CR3030014	66CR3030014	2.50 64.0	1.3 0.6
3 x 2 80 x 50	65CR3030020	66CR3030020	2.50 64.0	1.3 0.6
3 x 2-1/2 80 x 65	65CR3030024	66CR3030024	2.50 64.0	1.4 0.6
3-1/2 x 3 90 x 80	65CR3034030F	66CR3034030F	2.50 64.0	2.8 1.3
4 x 1 100 x 25	65CR3040010F	66CR3040010F	3.00 76.2	2.1 1.0
4 x 1-1/4 100 x 32	65CR3040012F	66CR3040012F	3.00 76.2	1.7 0.8
4 x 1-1/2 100 x 40	65CR3040014	66CR3040014	3.00 76.2	2.3 1.0
4 x 2 100 x 50	65CR3040020	66CR3040020	3.00 76.2	2.3 1.0
4 x 2-1/2 100 x 65	65CR3040024	66CR3040024	3.00 76.2	2.5 1.0
4 x 3 100 x 80	65CR3040030	66CR3040030	3.00 76.2	2.4 1.0
4 x 3-1/2 100 x 90	65CR3040034F	66CR3040034F	3.00 76.2	2.8 1.3
5 x 2 125 x 50	65CR3050020F	66CR3050020F	4.00 102.1	2.7 1.2
5 x 2-1/2 125 x 65	65CR3050024F	66CR3050024F	4.00 102.1	3.1 1.4
5 x 3 125 x 80	65CR3050030	66CR3050030	3.50 89.0	3.3 1.5

Pipe Size in / mm	Part Number		A in / mm	Weight lb / kg
	Painted	Galvanized		
5 x 4 125 x 100	65CR3050040	66CR3050040	3.50 89.0	3.7 1.7
6 x 1 150 x 25	65CR3060010F	66CR3060010F	4.00 102.1	4.1 1.9
6 x 1-1/2 150 x 40	65CR3060014F	66CR3060014F	4.00 102.1	4.3 2.0
6 x 2 150 x 50	65CR3060020	66CR3060020	4.00 102.1	5.5 2.5
6 x 2-1/2 150 x 65	65CR3060024	66CR3060024	4.00 102.1	5.7 2.6
6 x 3 150 x 80	65CR3060030	66CR3060030	4.00 102.1	5.3 2.4
6 x 4 150 x 100	65CR3060040	66CR3060040	4.00 102.1	5.4 2.5
6 x 5 150 x 125	65CR3060050	66CR3060050	4.00 102.1	5.7 2.6
8 x 3 200 x 80	65CR3080030	66CR3080030	5.00 127.0	10.5 4.8
8 x 4 200 x 100	65CR3080040	66CR3080040	5.00 127.0	10.2 4.6
8 x 5 200 x 125	65CR3080050	66CR3080050	5.00 127.0	10.9 5.0
8 x 6 200 x 150	65CR3080060	66CR3080060	5.00 127.0	10.6 4.8
10 x 4 250 x 100	65CR3100040	66CR3100040	6.00 152.0	22.0 10.0
10 x 5 250 x 125	65CR3100050F	66CR3100050F	6.00 152.0	21.7 9.9
10 x 6 250 x 150	65CR3100060	66CR3100060	6.00 152.0	21.3 9.7
10 x 8 250 x 200	65CR3100080	66CR3100080	6.00 152.0	20.7 9.4
12 x 6 300 x 150	65CR3120060F	66CR3120060F	7.00 178.0	26.5 12.0
12 x 8 300 x 200	65CR3120080F	66CR3120080F	7.00 178.0	30.7 14.0
12 x 10 300 x 250	65CR3120100F	66CR3120100F	7.00 178.0	32.2 14.6
14 x 6 350 x 150	65CR3140060F	66CR3140060F	13.00 330.2	94.5 43.0
14 x 8 350 x 200	65CR3140080F	66CR3140080F	13.00 330.2	100.0 45.5
14 x 10 350 x 250	65CR3140100F	66CR3140100F	13.00 330.2	107.0 48.6
14 x 12 350 x 300	65CR3140120F	66CR3140120F	13.00 330.2	113.0 51.7

(F) Fabricated fitting "A" dimension may differ from other manufacturers' products.
Other sizes and configurations available by special order.

**Fig. 65CRT & 66CRT
Concentric Reducer Male NPT**

- (F) Fabricated steel fittings – Schedule 40, cut grooved
- UL/FM – 1-1/2" to 8"
- Male NPT threads conform to ASME B1.20.1



Pipe Size in / mm	Part Number		A in / mm	Weight lb / kg
	Painted	Galvanized		
1-1/2 x 1 65 x 25	65CRT3024010F	66CRT3024010F	3.50 88.9	0.6 0.3
2 x 1 50 x 25	65CRT3020010F	66CRT3020010F	3.50 88.9	1.5 0.7
2 x 1-1/4 50 x 32	65CRT3020012F	66CRT3020012F	3.50 88.9	1.5 0.7
2 x 1-1/2 50 x 40	65CRT3020014F	66CRT3020014F	3.50 88.9	1.5 0.7
2-1/2 x 1 65 x 25	65CRT3024010F	66CRT3024010F	3.75 95.3	1.6 0.7
2-1/2 x 1-1/4 65 x 32	65CRT3024012F	66CRT3024012F	3.75 95.3	1.6 0.7
2-1/2 x 1-1/2 65 x 40	65CRT3024014F	66CRT3024014F	3.75 95.3	1.5 0.7
2-1/2 x 2 65 x 50	65CRT3024020F	66CRT3024020F	3.75 95.3	1.7 0.8
3 x 1 80 x 25	65CRT3030010F	66CRT3030010F	3.75 95.3	2.6 1.1
3 x 1-1/4 80 x 32	65CRT3030012F	66CRT3030012F	3.75 95.3	2.7 1.2
3 x 1-1/2 80 x 40	65CRT3030014F	66CRT3030014F	3.75 95.3	2.8 1.2
3 x 2 80 x 50	65CRT3030020F	66CRT3030020F	3.75 95.3	2.7 1.2
3 x 2-1/2 80 x 65	65CRT3030024F	66CRT3030024F	3.75 95.3	2.5 1.1
4 x 1 100 x 25	65CRT3040010F	66CRT3040010F	4.00 102.1	3.6 1.6
4 x 1-1/4 100 x 32	65CRT3040012F	66CRT3040012F	4.00 102.1	3.7 1.7
4 x 1-1/2 100 x 40	65CRT3040014F	66CRT3040014F	4.00 102.1	3.8 1.7
4 x 2 100 x 50	65CRT3040020F	66CRT3040020F	4.00 102.1	3.5 1.6
4 x 2-1/2 100 x 65	65CRT3040024F	66CRT3040024F	4.00 102.1	3.8 1.7
4 x 3 100 x 80	65CRT3040030F	66CRT3040030F	4.00 102.1	4.2 1.9

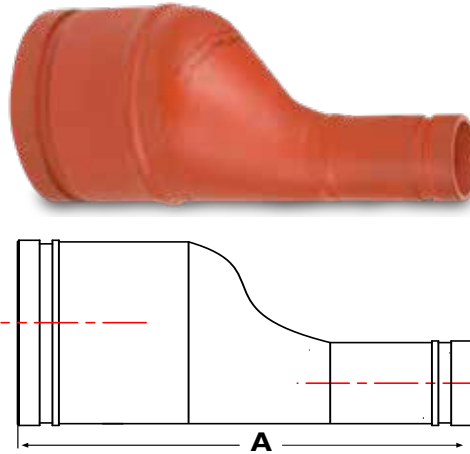
Pipe Size in / mm	Part Number		A in / mm	Weight lb / kg
	Painted	Galvanized		
5 x 4 125 x 100	65CRT3050040F	66CRT3050040F	4.25 108.0	6.4 2.9
6 x 1 150 x 25	65CRT3060010F	66CRT3060010F	4.25 108.0	7.9 3.6
6 x 1-1/4 150 x 32	65CRT3060012F	66CRT3060012F	4.25 108.0	7.9 3.6
6 x 1-1/2 150 x 40	65CRT3060014F	66CRT3060014F	4.50 112.0	8.1 3.7
6 x 2 150 x 50	65CRT3060020F	66CRT3060020F	4.50 112.0	8.7 4.0
6 x 3 150 x 80	65CRT3060030F	66CRT3060030F	4.50 112.0	9.9 4.5
6 x 4 150 x 100	65CRT3060040F	66CRT3060040F	4.50 112.0	9.9 4.5
6 x 5 150 x 125	65CRT3060050F	66CRT3060050F	4.50 112.0	9.9 4.5
8 x 3 200 x 80	65CRT3080030F	66CRT3080030F	5.00 127.0	14.9 6.7
8 x 4 200 x 100	65CRT3080040F	66CRT3080040F	5.00 127.0	14.8 6.7
8 x 5 200 x 125	65CRT3080050F	66CRT3080050F	5.00 127.0	15.6 7.0
8 x 6 200 x 150	65CRT3080060F	66CRT3080060F	5.00 127.0	18.9 8.5
10 x 4 250 x 100	65CRT3100040F	66CRT3100040F	6.00 152.0	31.9 14.4
10 x 5 250 x 125	65CRT3100050F	66CRT3100050F	6.00 152.0	31.0 12.74
10 x 6 250 x 150	65CRT3100060F	66CRT3100060F	6.00 152.0	31.9 14.4
10 x 8 250 x 200	65CRT3100080F	66CRT3100080F	6.00 152.0	34.3 15.6
12 x 4 300 x 100	65CRT3120040F	66CRT3120040F	7.00 178.0	33.8 15.4
12 x 6 300 x 150	65CRT3120060F	66CRT3120060F	7.00 178.0	38.3 17.4
12 x 8 300 x 200	65CRT3120080F	66CRT3120080F	7.00 178.0	41.3 18.7

(F) Fabricated fitting "A" dimension may differ from other manufacturers' products. Other sizes and configurations available by special order.

Please see complete installation instructions at www.smithcooper.com for important guidelines and limitations on the use and applications of COOPLOK™ Grooved Couplings and Fittings.

**Fig. 65ER & 66ER
Eccentric Reducer**

- (F) Fabricated steel fittings – Full Flow Schedule 40, cut grooved
- UL/FM – 2" to 8"



Pipe Size in / mm	Part Number		A in / mm	Weight lb / kg
	Painted	Galvanized		
2 x 1 50 x 25	65ER3020010F	66ER3020010F	9.00 228.6	0.8 0.4
2 x 1-1/4 50 x 32	65ER3020012F	66ER3020012F	9.00 228.6	0.9 0.4
2 x 1-1/2 50 x 40	65ER3020014F	66ER3020014F	9.00 228.6	1.0 0.5
2-1/2 x 1 65 x 25	65ER3024010F	66ER3024010F	9.50 241.3	1.0 0.5
2-1/2 x 1-1/4 65 x 32	65ER3024012F	66ER3024012F	9.50 241.3	1.3 0.6
2-1/2 x 1-1/2 65 x 40	65ER3024014F	66ER3024014F	9.50 241.3	0.9 0.4
2-1/2 x 2 65 x 50	65ER3024020F	66ER3024020F	9.50 241.3	1.1 0.5
3 x 1 80 x 25	65ER3030010F	66ER3030010F	9.50 241.3	1.6 0.7
3 x 1-1/4 80 x 32	65ER3030012F	66ER3030012F	9.50 241.3	1.7 0.8
3 x 1-1/2 80 x 40	65ER3030014F	66ER3030014F	9.50 241.3	1.2 0.5
3 x 2 80 x 50	65ER3030020F	66ER3030020F	9.50 241.3	1.5 0.7
3 x 2-1/2 80 x 65	65ER3030024F	66ER3030024F	9.50 241.3	1.5 0.7
3-1/2 x 3 90 x 80	65ER3034030F	66ER3034030F	9.50 241.3	2.8 1.3
4 x 1 100 x 25	65ER3040010F	66ER3040010F	10.00 254.0	2.1 1.0
4 x 1-1/4 100 x 32	65ER3040012F	66ER3040012F	10.00 254.0	1.7 0.8
4 x 1-1/2 100 x 40	65ER3040014F	66ER3040014F	10.00 254.0	1.8 0.8
4 x 2 100 x 50	65ER3040020F	66ER3040020F	10.00 254.0	2.0 0.9
4 x 2-1/2 100 x 65	65ER3040024F	66ER3040024F	10.00 254.0	2.3 1.0
4 x 3 100 x 80	65ER3040030F	66ER3040030F	10.00 254.0	2.5 1.1
4 x 3-1/2 100 x 90	65ER3040034F	66ER3040034F	10.00 254.0	2.8 1.3
5 x 2 125 x 50	65ER3050020F	66ER3050020F	11.00 279.4	2.7 1.2
5 x 2-1/2 125 x 65	65ER3050024F	66ER3050024F	11.00 279.4	3.1 1.4
5 x 3 125 x 80	65ER3050030F	66ER3050030F	11.00 279.4	3.3 1.5

Pipe Size in / mm	Part Number		A in / mm	Weight lb / kg
	Painted	Galvanized		
5 x 4 125 x 100	65ER3050040F	66ER3050040F	11.00 279.4	3.8 1.7
6 x 1 150 x 25	65ER3060010F	66ER3060010F	11.50 292.1	4.1 1.9
6 x 1-1/2 150 x 40	65ER3060014F	66ER3060014F	11.50 292.1	4.3 2.0
6 x 2 150 x 50	65ER3060020F	66ER3060020F	11.50 292.1	3.8 1.7
6 x 2-1/2 150 x 65	65ER3060024F	66ER3060024F	11.50 292.1	5.7 2.6
6 x 3 150 x 80	65ER3060030F	66ER3060030F	11.50 292.1	4.0 1.8
6 x 4 150 x 100	65ER3060040F	66ER3060040F	11.50 292.1	7.1 3.2
6 x 5 150 x 125	65ER3060050F	66ER3060050F	11.50 292.1	8.2 3.7
8 x 3 200 x 80	65ER3080030F	66ER3080030F	12.00 304.8	8.4 3.8
8 x 4 200 x 100	65ER3080040F	66ER3080040F	12.00 304.8	8.3 3.8
8 x 5 200 x 125	65ER3080050F	66ER3080050F	12.00 304.8	9.1 4.1
8 x 6 200 x 150	65ER3080060F	66ER3080060F	12.00 304.8	10.0 4.5
10 x 4 250 x 100	65ER3100040F	66ER3100040F	13.00 330.2	14.9 6.8
10 x 5 250 x 125	65ER3100050F	66ER3100050F	13.00 330.2	11.0 5.0
10 x 6 250 x 150	65ER3100060F	66ER3100060F	13.00 330.2	14.9 6.8
10 x 8 250 x 200	65ER3100080F	66ER3100080F	13.00 330.2	17.3 7.8
12 x 6 300 x 150	65ER3120060F	66ER3120060F	14.00 355.6	16.3 7.4
12 x 8 300 x 200	65ER3120080F	66ER3120080F	14.00 355.6	19.3 8.8
12 x 10 300 x 250	65ER3120100F	66ER3120100F	14.00 355.6	23.0 10.4
14 x 6 350 x 150	65ER3140060F	66ER3140060F	13.00 330.2	96.0 43.5
14 x 8 350 x 200	65ER3140080F	66ER3140080F	13.00 330.2	76.6 34.7
14 x 10 350 x 250	65ER3140100F	66ER3140100F	13.00 330.2	77.6 35.2
14 x 12 350 x 300	65ER3140120F	66ER3140120F	13.00 330.2	89.2 40.5

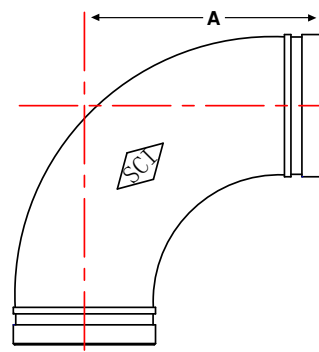
(F) Fabricated fitting "A" dimension may differ from other manufacturers' products.
Other sizes and configurations available by special order.

GROOVED

Pipe Size in / mm	Part Number		A in / mm	Weight lb / kg
	Painted	Galvanized		
1 25	65ELR3010F	66ELR3010F	3.00 76.0	1.2 0.5
1-1/4 32	65ELR3012F	66ELR3012F	3.88 99.0	1.4 0.6
1-1/2 40	65ELR3014F	66ELR3014F	4.25 108.0	1.8 0.8
2 50	65ELR3020F	66ELR3020F	4.38 111.0	2.6 1.2
2-1/2 65	65ELR3024F	66ELR3024F	5.75 146.0	5.1 2.3
3 80	65ELR3030F	66ELR3030F	5.88 149.0	6.6 3.0
4 100	65ELR3040F	66ELR3040F	7.50 191.0	11.6 5.3
5 125	65ELR3050F	66ELR3050F	9.50 241.0	20.0 9.1
6 150	65ELR3060F	66ELR3060F	10.75 273.0	29.5 13.4
8 200	65ELR3080F	66ELR3080F	15.00 381.0	62.1 28.2
10 250	65ELR3100F	66ELR3100F	18.00 457.0	103.7 47.1
12 300	65ELR3120F	66ELR3120F	21.00 533.0	147.8 67.2
14 350	65ELR3140F	66ELR3140F	21.00 533.0	159.0 72.3
16 400	65ELR3160F	66ELR3160F	24.00 610.0	211.0 95.9
18 450	65ELR3180F	66ELR3180F	27.00 686.0	269.0 122.3
20 500	65ELR3200F	66ELR3200F	32.00 813.0	332.0 150.9
24 600	65ELR3240F	66ELR3240F	36.00 914.0	470.0 213.6

Fig. 65ELR & 66ELR
90° Long Radius Elbow – 1-1/2 D

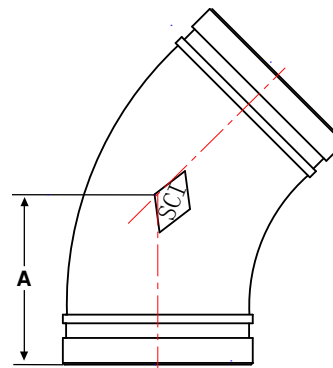
- (F) Fabricated steel fittings – Full Flow (all sizes)
 Schedule 40, cut grooved



Pipe Size in / mm	Part Number		A in / mm	Weight lb / kg
	Painted	Galvanized		
1 25	65FLR3010F	66FLR3010F	2.50 64.0	0.9 0.4
1-1/4 32	65FLR3012F	66FLR3012F	2.50 64.0	1.1 0.5
1-1/2 40	65FLR3014F	66FLR3014F	2.50 64.0	1.3 0.6
2 50	65FLR3020F	66FLR3020F	2.75 70.0	2.2 1.0
2-1/2 65	65FLR3024F	66FLR3024F	3.00 76.0	3.4 1.5
3 80	65FLR3030F	66FLR3030F	3.38 86.0	5.2 2.4
4 100	65FLR3040F	66FLR3040F	4.00 102.0	10.0 4.5
5 125	65FLR3050F	66FLR3050F	5.00 127.0	13.2 6.0
6 150	65FLR3060F	66FLR3060F	5.50 140.0	18.1 8.2
8 200	65FLR3080F	66FLR3080F	7.25 184.0	35.0 15.9
10 250	65FLR3100F	66FLR3100F	8.50 216.0	59.0 26.8
12 300	65FLR3120F	66FLR3120F	10.00 254.0	102.0 46.4
14 350	65FLR3140F	66FLR3140F	8.75 222.0	122.0 55.5
16 400	65FLR3160F	66FLR3160F	10.00 254.0	134.0 60.9
18 450	65FLR3180F	66FLR3180F	11.25 286.0	133.0 60.5
20 500	65FLR3200F	66FLR3200F	12.50 318.0	165.0 75.0
24 600	65FLR3240F	66FLR3240F	15.00 381.0	237.0 107.7

Fig. 65FLR & 66FLR
45° Long Radius Elbow – 1-1/2 D

- (F) Fabricated steel fittings – Full Flow (all sizes)
 Schedule 40, cut grooved

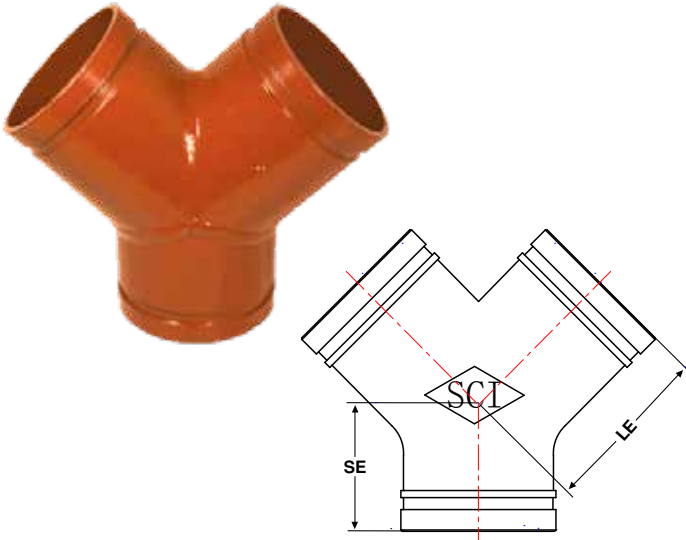


GROOVED

3D, 5D & 6D Long Radius Fittings available on request.

Fig. 65Y & 66Y
True Wye

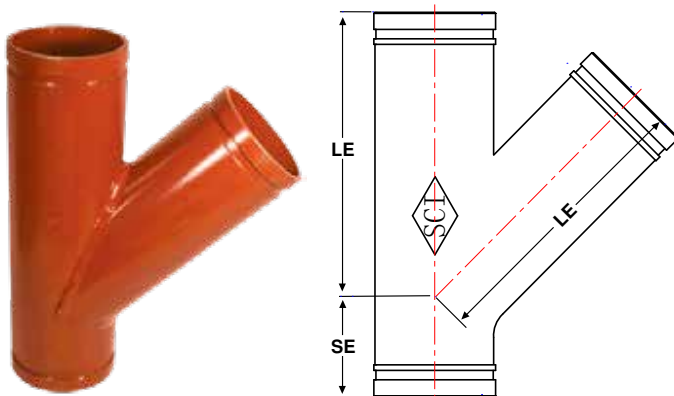
- (F) Fabricated steel fittings – all sizes
Schedule 40, cut grooved



Pipe Size in / mm	Part Number		LE in / mm	SE in / mm	Weight lb / kg
	Painted	Galvanized			
1 25	65Y3010F	66Y3010F	2.75 70.0	2.50 64.0	1.0 0.5
1-1/4 32	65Y3012F	66Y3012F	2.75 70.0	2.50 64.0	1.5 0.7
1-1/2 40	65Y3014F	66Y3014F	2.75 70.0	2.75 70.0	1.8 0.8
2 50	65Y3020F	66Y3020F	3.25 83.0	2.75 70.0	2.4 1.1
2-1/2 65	65Y3024F	66Y3024F	3.75 95.0	3.00 76.0	4.9 2.2
3 80	65Y3030F	66Y3030F	4.25 108.0	3.25 83.0	5.9 2.8
4 100	65Y3040F	66Y3040F	5.00 127.0	3.75 95.0	10.2 4.5
5 125	65Y3050F	66Y3050F	5.50 140.0	4.00 102.0	14.7 6.8
6 150	65Y3060F	66Y3060F	6.50 165.0	4.50 114.0	20.2 9.2
8 200	65Y3080F	66Y3080F	7.75 197.0	6.00 152.0	34.5 15.7
10 250	65Y3100F	66Y3100F	9.00 229.0	6.50 165.0	48.0 21.8
12 300	65Y3120F	66Y3120F	10.00 254.0	7.00 178.0	84.8 38.5
14 350	65Y3140F	66Y3140F	11.00 279.0	7.50 191.0	101.0 45.9
16 400	65Y3160F	66Y3160F	12.00 305.0	8.00 203.0	125.0 56.8
18 450	65Y3180F	66Y3180F	15.50 394.0	8.50 216.0	180.0 81.8
20 500	65Y3200F	66Y3200F	17.25 438.0	9.00 229.0	217.0 98.6
24 600	65Y3240F	66Y3240F	20.00 508.0	10.00 254.0	298.0 135.5

Fig. 65LY & 66LY
45° Lateral

- (F) Fabricated steel fittings – all sizes
Schedule 40, cut grooved



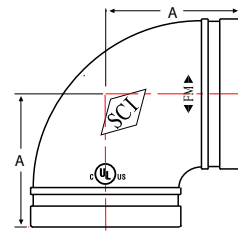
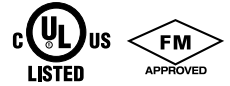
Pipe Size in / mm	Part Number		LE in / mm	SE in / mm	Weight lb / kg
	Painted	Galvanized			
1 25	65LY3010F	66LY3010F	5.00 127.0	2.25 57.0	1.5 0.7
1-1/4 32	65LY3012F	66LY3012F	5.75 146.0	2.50 64.0	2.2 1.0
1-1/2 40	65LY3014F	66LY3014F	6.25 159.0	2.75 70.0	3.2 1.5
2 50	65LY3020F	66LY3020F	7.00 178.0	2.75 70.0	4.4 2.0
2-1/2 65	65LY3024F	66LY3024F	7.75 197.0	3.00 76.0	9.8 4.5
3 80	65LY3030F	66LY3030F	8.50 216.0	3.25 83.0	11.0 5.0
4 100	65LY3040F	66LY3040F	10.50 267	3.75 95.0	18.0 8.2
5 125	65LY3050F	66LY3050F	12.50 318.0	4.00 102.0	28.5 13.0
6 150	65LY3060F	66LY3060F	14.00 356.0	4.50 114.0	39.0 17.7
8 200	65LY3080F	66LY3080F	18.00 457.0	6.00 152.0	81.8 37.2
10 250	65LY3100F	66LY3100F	20.50 521.0	6.50 165.0	127.0 57.7
12 300	65LY3120F	66LY3120F	23.00 584.0	7.00 178.0	157.0 71.4
14 350	65LY3140F	66LY3140F	26.50 673.0	7.50 191.0	201.0 91.4
16 400	65LY3160F	66LY3160F	29.00 737.0	8.00 203.0	340.0 154.5
18 450	65LY3180F	66LY3180F	32.00 813.0	8.50 216.0	420.0 190.9
20 500	65LY3200F	66LY3200F	35.00 889.0	9.00 229.0	515.0 234.1
24 600	65LY3240F	66LY3240F	40.00 1016.0	10.00 254.0	930.0 422.7

GROOVED

Pipe Size in / mm	Part Number		A in / mm	Case Qty	Weight lb / kg
	Painted	Galvanized			
2 50	65ES3020	66ES3020	2.75 69.9	26	1.5 0.7
2-1/2 65	65ES3024	66ES3024	3.00 76.2	16	2.0 0.9
3 80	65ES3030	66ES3030	3.38 85.9	20	2.9 1.3
4 100	65ES3040	66ES3040	4.00 101.6	12	4.6 2.1
6 150	65ES3060	66ES3060	5.50 139.7	-	11.4 5.2
8 200	65ES3080	66ES3080	6.81 173.0	-	22.7 10.3

Fig. 65ES & 66ES
90° Elbow, Short Radius

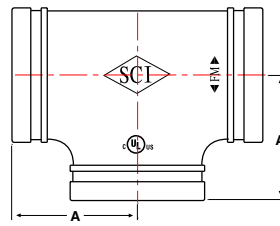
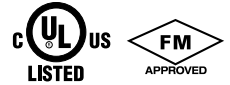
- Ductile Iron - Full Flow



Pipe Size in / mm	Part Number		A in / mm	Case Qty	Weight lb / kg
	Painted	Galvanized			
2 50	65TS3020	66TS3020	2.75 69.9	16	2.1 0.9
2-1/2 65	65TS3024	66TS3024	3.00 76.2	12	2.8 1.3
3 80	65TS3030	66TS3030	3.38 85.9	12	4.1 1.9
4 100	65TS3040	66TS3040	4.00 101.6	8	6.6 3.0
6 150	65TS3060	66TS3060	5.50 139.7	-	11.1 5.0
8 200	65TS3080	66TS3080	6.94 176.3	-	16.8 7.6

Fig. 65TS & 66TS
Tee, Short Radius

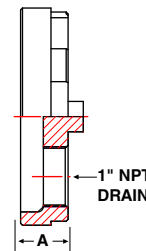
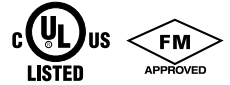
- Ductile Iron - Full Flow



Pipe Size in / mm	Part Number		A in / mm	Case Qty	Weight lb / kg
	Painted	Galvanized			
2 50	65DC3020	66DC3020	0.88 22.4	80	0.7 0.3
2-1/2 65	65DC3024	66DC3024	0.88 22.4	60	0.8 0.4
3 80	65DC3030	66DC3030	0.88 22.4	40	1.3 0.6
4 100	65DC3040	66DC3040	1.00 25.4	24	2.1 0.9
5 125	65DC3050	66DC3050	1.00 25.4	12	3.5 1.6
6 150	65DC3060	66DC3060	1.00 25.4	10	4.9 2.2
8 200	65DC3080	66DC3080	1.20 30.5	5	10.1 4.6

Fig. 65DC & 66DC
Drain Cap

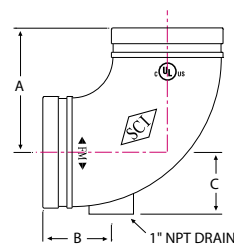
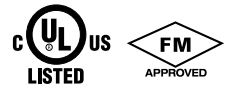
- Ductile Iron
- 1" NPT drain



Pipe Size in / mm	Part Number		A in / mm	B in / mm	C in / mm	Case Qty	Weight lb / kg
	Painted	Galvanized					
2 50	65DE3020	66DE3020	3.25 82.6	2.76 70.0	1.30 33.0	20	1.8 0.8
2-1/2 65	65DE3024	66DE3024	3.75 95.3	2.76 70.0	1.68 42.7	12	2.6 1.2
3 80	65DE3030	66DE3030	4.25 108.0	2.76 70.0	2.10 53.3	15	3.7 1.7
4 100	65DE3040	66DE3040	5.00 127.0	2.76 70.0	2.60 66.0	8	5.9 2.7
6 150	65DE3060	66DE3060	6.50 165.1	2.76 70.0	3.65 92.7	-	13.9 6.3
8 200	65DE3080	66DE3080	7.75 196.9	2.76 70.0	4.57 116.1	-	26.6 12.1

Fig. 65DE & 66DE
Drain Elbow – Standard Radius


- Ductile Iron - Full Flow
- 1" NPT drain

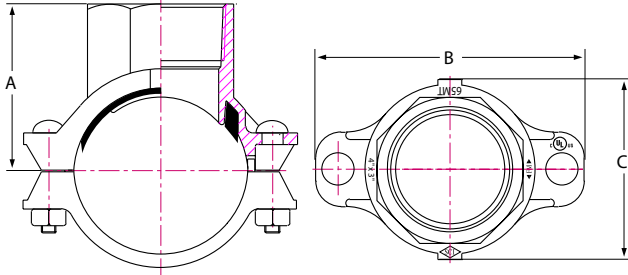


GROOVED



Fig. 65MT & 66MT
Mechanical Tee, NPT


- Maximum working pressure 500 psi (34.5 bar) depending on size and schedule of pipe
- ASME B1.20.1 NPT Threads
- Equivalent length in feet of Schedule 40 outlet pipe with a Hazen-Williams coefficient of 120 per UL 213
- All housings, gaskets and bolts identified by SCI logo
- 100% Magnetic Particle inspection of each Bolt
- Each bolt has a minimum tensile strength of 110,000 psi
- Gasket Grade E - EPDM (green stripe) -30°F (-34°C) to +230°F (+110°C)
- Ductile iron housings conform to ASTM A-536
- Smith-Cooper Warranty only applies to assemblies made with housings, gaskets and bolts carrying the  logo

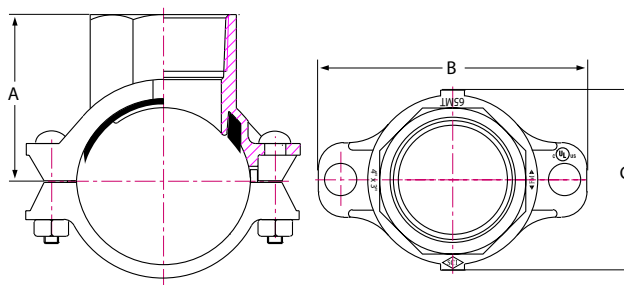


Size Run x Branch in / mm	Part Number		Hole Diameter +1/8, -0 / +3.2, -0 in / mm	Dimensions			Equivalent Length in Feet	Case Qty	Weight lb / kg
	Painted	Galvanized		A	B	C			
2 x 1/2 50 x 15	65MT3020004	66MT3020004	1-1/2 38	2.50 64.0	4.96 126.0	2.80 71.1	-	24	2.0 0.9
2 x 3/4 50 x 20	65MT3020006	66MT3020006	1-1/2 38	2.50 64.0	4.96 126.0	2.80 71.1	-	24	2.0 0.9
2 x 1 50 x 25	65MT3020010	66MT3020010	1-1/2 38	2.50 64.0	4.96 126.0	2.80 71.1	2	24	2.1 1.0
2 x 1-1/4 50 x 32	65MT3020012	66MT3020012	1-3/4 45	2.80 70.1	4.96 126.0	2.80 71.1	4	24	2.2 1.0
2 x 1-1/2 50 x 40	65MT3020014	66MT3020014	1-3/4 45	2.80 70.1	4.96 126.0	2.87 72.9	9	24	2.2 1.0
2-1/2 x 1/2 65 x 15	65MT3024004	66MT3024004	1-1/2 38	2.80 70.1	5.20 132.1	2.80 71.1	-	24	2.2 1.0
2-1/2 x 3/4 65 x 20	65MT3024006	66MT3024006	1-1/2 38	2.80 70.1	5.20 132.1	2.80 71.1	-	24	2.4 1.1
2-1/2 x 1 65 x 25	65MT3024010	66MT3024010	1-1/2 38	2.80 70.1	5.20 132.1	2.80 71.1	2	20	2.6 1.2
2-1/2 x 1-1/4 65 x 32	65MT3024012	66MT3024012	1-3/4 45	3.00 75.9	5.20 132.1	3.03 77.0	4	20	2.8 1.3
2-1/2 x 1-1/2 65 x 40	65MT3024014	66MT3024014	2 51	3.00 75.9	5.20 132.1	3.27 83.1	9	20	3.0 1.4
3 x 1 80 x 25	65MT3030010	66MT3030010	1-1/2 38	3.10 78.0	5.91 150.1	2.80 71.1	2	10	2.6 1.2
3 x 1-1/4 80 x 32	65MT3030012	66MT3030012	1-3/4 45	3.27 83.1	5.91 150.1	3.03 77.0	4	8	2.9 1.3
3 x 1-1/2 80 x 40	65MT3030014	66MT3030014	2 51	3.50 88.9	5.91 150.1	3.27 83.1	3	8	3.1 1.4
3 x 2 80 x 50	65MT3030020	66MT3030020	2-1/2 64	3.50 88.9	5.91 150.1	3.78 96.0	5	12	3.5 1.6
4 x 1 100 x 25	65MT3040010	66MT3040010	1-1/2 38	3.54 89.9	7.09 180.1	2.80 71.1	2	16	3.0 1.3
4 x 1-1/4 100 x 32	65MT3040012	66MT3040012	1-3/4 45	3.78 96.0	7.09 180.1	3.03 77.0	4	14	3.2 1.4
4 x 1-1/2 100 x 40	65MT3040014	66MT3040014	2 51	4.02 102.1	7.09 180.1	3.27 83.1	3	14	3.4 1.6

GROOVED

Fig. 65MT & 66MT
Mechanical Tee, NPT

- Maximum working pressure 500 psi (34.5 bar) depending on size and schedule of pipe
- ASME B1.20.1 NPT threads
- Equivalent length in feet of schedule 40 outlet pipe with a Hazen-Williams coefficient of 120 per UL 213
- All housings, gaskets and bolts identified by SCI logo
- 100% magnetic particle inspection of each bolt
- Each bolt has a minimum tensile strength of 110,000 psi
- Gasket Grade E - EPDM (green stripe) -30°F (-34°C) to +230°F (+110°C)
- Ductile iron housings conform to ASTM A-536
- Smith-Cooper Warranty only applies to assemblies made with housings, gaskets and bolts carrying the  logo



Size Run x Branch in / mm	Part Number		Hole Diameter +1/8, -0 / +3.2, -0 in / mm	Dimensions			Equivalent Length in Feet	Case Qty	Weight lb / kg
	Painted	Galvanized		A	B	C			
4 x 2 100 x 50	65MT3040020	66MT3040020	2-1/2 64	4.02 102.1	7.24 183.9	3.94 100.1	5	8	4.4 2.0
4 x 2-1/2 100 x 65	65MT3040024	66MT3040024	2-3/4 70	4.02 102.1	7.24 183.9	4.21 106.9	11	8	4.9 2.2
4 x 3 100 x 80	65MT3040030	66MT3040030	3-1/2 89	4.53 115.1	7.24 183.9	4.76 120.9	13	6	6.1 2.8
5 x 1-1/4 125 x 32	65MT3050012	66MT3050012	1-3/4 45	4.76 120.9	7.99 202.9	3.03 77.0	4	8	4.1 1.9
5 x 1-1/2 125 x 40	65MT3050014	66MT3050014	2 51	4.76 120.9	7.99 202.9	3.27 83.1	3	8	4.2 1.9
5 x 2 125 x 50	65MT3050020	66MT3050020	2-1/2 64	4.76 120.9	8.66 220.0	3.94 100.1	5	6	6.0 2.7
5 x 2-1/2 125 x 65	65MT3050024	66MT3050024	2-3/4 70	4.76 120.9	8.66 220.0	4.21 106.9	11	6	6.6 3.0
5 x 3 125 x 80	65MT3050030	66MT3050030	3-1/2 89	5.00 127.0	8.66 220.0	4.92 125.0	13	4	7.5 3.4
6 x 1-1/4 150 x 32	65MT3060012	66MT3060012	1-3/4 45	5.12 130.0	9.13 231.9	3.03 77.0	4	8	4.4 2.0
6 x 1-1/2 150 x 40	65MT3060014	66MT3060014	2 51	5.12 130.0	9.13 231.9	3.27 83.1	3	8	4.5 2.0
6 x 2 150 x 50	65MT3060020	66MT3060020	2-1/2 64	5.12 130.0	9.76 247.9	3.94 100.1	5	6	6.5 3.0
6 x 2-1/2 150 x 65	65MT3060024	66MT3060024	2-3/4 70	5.12 130.0	9.76 247.9	4.21 106.9	11	6	6.8 3.1
6 x 3 150 x 80	65MT3060030	66MT3060030	3-1/2 89	5.51 140.0	9.76 247.9	4.92 125.0	13	4	7.9 3.6
6 x 4 150 x 100	65MT3060040	66MT3060040	4-1/2 114	5.75 146.1	9.76 247.9	5.91 150.1	15	3	9.6 4.4
8 x 2 200 x 50	65MT3080020	66MT3080020	2-1/2 64	6.26 159.0	11.81 300.0	3.94 100.1	5	4	8.2 3.7
8 x 2-1/2 200 x 65	65MT3080024	66MT3080024	2-3/4 70	6.26 159.0	11.81 300.0	4.21 106.9	11	3	8.6 3.9
8 x 3 200 x 80	65MT3080030	66MT3080030	3-1/2 89	6.50 165.1	11.81 300.0	4.92 125.0	13	3	9.3 4.2
8 x 4 200 x 100	65MT3080040	66MT3080040	4-1/2 114	6.73 170.9	11.81 300.0	5.91 150.1	15	2	10.7 4.9

DRIVEN

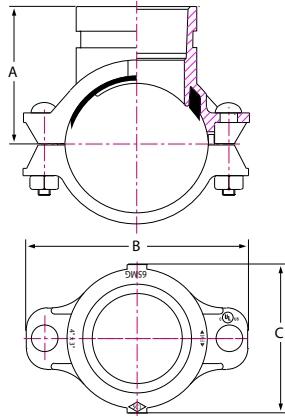



Fig. 65MG & 66MG
Mechanical Tee, Grooved

- Maximum working pressure 500 psi (34.5 bar) depending on size and schedule of pipe
- Equivalent length in feet of schedule 40 outlet pipe with a Hazen-Williams coefficient of 120 per UL 213
- All housings, gaskets and bolts identified by SCI logo
- Gasket Grade E - EPDM (green stripe) -30°F (-34°C) to +230°F (+110°C)
- Ductile iron housings conform to ASTM A-536
- Groove dimensions to AWWA C-606
- Smith-Cooper Warranty only applies to assemblies made with housings, gaskets and bolts carrying the  logo

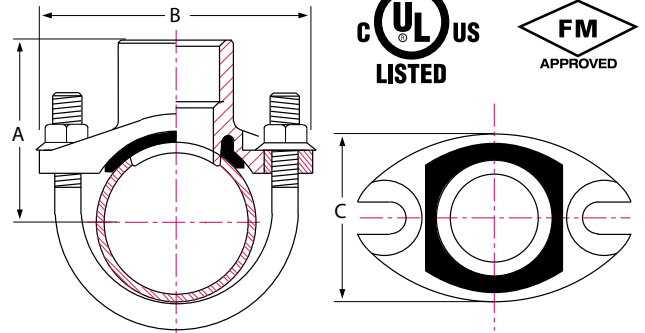


Size Run x Branch in / mm	Part Number		Hole Diameter +1/8, -0 / +3.2, -0 in / mm	Dimensions			Equivalent Length in Feet	Case Qty	Weight lb / kg
	Painted	Galvanized		A	B	C			
3 x 1-1/4 80 x 32	65MG3030012	66MG3030012	1-3/4 45	3.50 89.9	5.90 150.1	3.03 77.0	4	10	3.0 1.4
3 x 1-1/2 80 x 40	65MG3030014	66MG3030014	2 51	3.50 89.9	5.90 150.1	3.30 83.1	3	8	3.1 1.4
3 x 2 80 x 50	65MG3030020	66MG3030020	2-1/2 64	3.50 89.9	5.90 150.1	3.80 96.0	5	12	3.6 1.6
4 x 1-1/4 100 x 40	65MG3040012	66MG3040012	1-3/4 45	4.00 102.1	7.10 180.1	3.03 77.0	4	16	3.2 1.4
4 x 1-1/2 100 x 40	65MG3040014	66MG3040014	2 51	4.00 102.1	7.10 180.1	3.30 83.1	3	14	4.3 1.9
4 x 2 100 x 50	65MG3040020	66MG3040020	2-1/2 64	4.02 102.1	7.24 183.9	3.94 100.1	5	8	4.4 2.0
4 x 2-1/2 100 x 65	65MG3040024	66MG3040024	2-3/4 70	4.02 102.1	7.24 183.9	4.21 106.9	11	8	4.9 2.2
4 x 3 100 x 80	65MG3040030	66MG3040030	3-1/2 89	4.53 115.1	7.24 183.9	4.76 120.9	13	8	6.1 2.8
5 x 1-1/2 125 x 40	65MG3050014	66MG3050014	2 51	4.76 120.9	7.99 202.9	3.27 83.1	3	8	4.2 1.9
5 x 2 125 x 50	65MG3050020	66MG3050020	2-1/2 64	4.76 120.9	8.66 220.0	3.94 100.1	5	6	6.0 2.7
5 x 2-1/2 125 x 65	65MG3050024	66MG3050024	2-3/4 70	4.76 120.9	8.66 220.0	4.21 106.9	11	6	6.6 3.0
5 x 3 125 x 80	65MG3050030	66MG3050030	3-1/2 89	5.00 127.0	8.66 220.0	4.92 125.0	13	6	7.5 3.4
6 x 1-1/4 150 x 32	65MG3060012	66MG3060012	1-3/4 45	5.12 130.0	9.13 231.9	3.03 77.0	4	8	4.4 2.0
6 x 1-1/2 150 x 40	65MG3060014	66MG3060014	2 51	5.12 130.0	9.13 231.9	3.27 83.1	3	8	4.5 2.0
6 x 2 150 x 50	65MG3060020	66MG3060020	2-1/2 64	5.12 130.0	9.76 247.9	3.94 100.1	5	6	6.5 3.0
6 x 2-1/2 150 x 65	65MG3060024	66MG3060024	2-3/4 70	5.12 130.0	9.76 247.9	4.21 106.9	11	6	6.8 3.1
6 x 3 150 x 80	65MG3060030	66MG3060030	3-1/2 89	5.51 140.0	9.76 247.9	4.92 125.0	13	5	7.9 3.6
6 x 4 150 x 100	65MG3060040	66MG3060040	4-1/2 114	5.75 146.1	9.76 247.9	5.91 150.1	15	4	9.6 4.4
8 x 2 200 x 50	65MG3080020	66MG3080020	2-1/2 64	6.26 159.0	11.81 300.0	3.94 100.1	5	4	8.2 3.7
8 x 2-1/2 200 x 65	65MG3080024	66MG3080024	2-3/4 70	6.26 159.0	11.81 300.0	4.21 106.9	11	4	8.6 3.9
8 x 3 200 x 80	65MG3080030	66MG3080030	3-1/2 89	6.50 165.1	11.81 300.0	4.92 125.0	13	3	9.3 4.2
8 x 4 200 x 100	65MG3080040	66MG3080040	4-1/2 114	6.73 170.9	11.81 300.0	5.91 150.1	15	3	10.7 4.9

GROOVED

**Fig. 65MU & 66MU
Strap Tee, NPT**

- Maximum working pressure 300 psi (20.7 bar) depending on size and schedule of pipe
- ASME B1.20.1 NPT threads
- Equivalent length in feet of schedule 40 outlet pipe with a Hazen-Williams coefficient of 120 per UL 213
- 1" outlets not listed by UL for direct connection to 1" sprinkler heads
- Gasket Grade E - EPDM (green stripe) -30°F (-34°C) to +230°F (+110°C)
- Ductile iron housings conform to ASTM A-536
- Smith-Cooper Warranty only applies to assemblies made with housings, gaskets and bolts carrying the logo



Size Run x Branch in / mm	Part Number		Hole Diameter +1/8, -0 / +3.2, -0 in / mm	Dimensions			Equivalent Length in Feet	Case Qty	Weight lb / kg
	Painted	Galvanized		A	B	C			
1-1/4 x 1/2 32 x 15	65MU3012004	66MU3012004	1-1/4 32	1.65 41.9	3.54 89.9	2.28 57.9	-	50	0.8 0.4
1-1/4 x 3/4 32 x 20	65MU3012006	66MU3012006	1-1/4 32	1.85 47.0	3.54 89.9	2.28 57.9	-	50	0.9 0.4
1-1/4 x 1 32 x 25	65MU3012010	66MU3012010	1-1/4 32	2.13 54.1	3.54 89.9	2.28 57.9	5	50	1.0 0.5
1-1/2 x 1/2 40 x 15	65MU3014004	66MU3014004	1-1/4 32	1.77 45.0	3.54 89.9	2.28 57.9	-	48	0.8 0.4
1-1/2 x 3/4 40 x 20	65MU3014006	66MU3014006	1-1/4 32	1.97 50.0	3.54 89.9	2.28 57.9	-	48	0.9 0.4
1-1/2 x 1 40 x 25	65MU3014010	66MU3014010	1-1/4 32	2.24 56.9	3.54 89.9	2.28 57.9	5	48	1.0 0.5
2 x 1/2 50 x 15	65MU3020004	66MU3020004	1-1/4 32	2.01 51.1	3.74 95.0	2.28 57.9	-	45	0.8 0.4
2 x 3/4 50 x 20	65MU3020006	66MU3020006	1-1/4 32	2.20 55.9	3.74 95.0	2.28 57.9	-	45	0.9 0.4
2 x 1 50 x 25	65MU3020010	66MU3020010	1-1/4 32	2.48 63.0	3.74 95.0	2.28 57.9	5	45	1.0 0.5
2-1/2 x 1/2 65 x 15	65MU3024004	66MU3024004	1-1/4 32	2.26 57.4	4.29 109.0	2.28 57.9	-	36	1.0 0.5
2-1/2 x 3/4 65 x 20	65MU3024006	66MU3024006	1-1/4 32	2.50 62.5	4.29 109.0	2.30 57.9	-	36	1.1 0.5
2-1/2 x 1 65 x 25	65MU3024010	66MU3024010	1-1/4 32	2.70 69.6	4.29 109.0	2.30 57.9	5	36	1.2 0.5

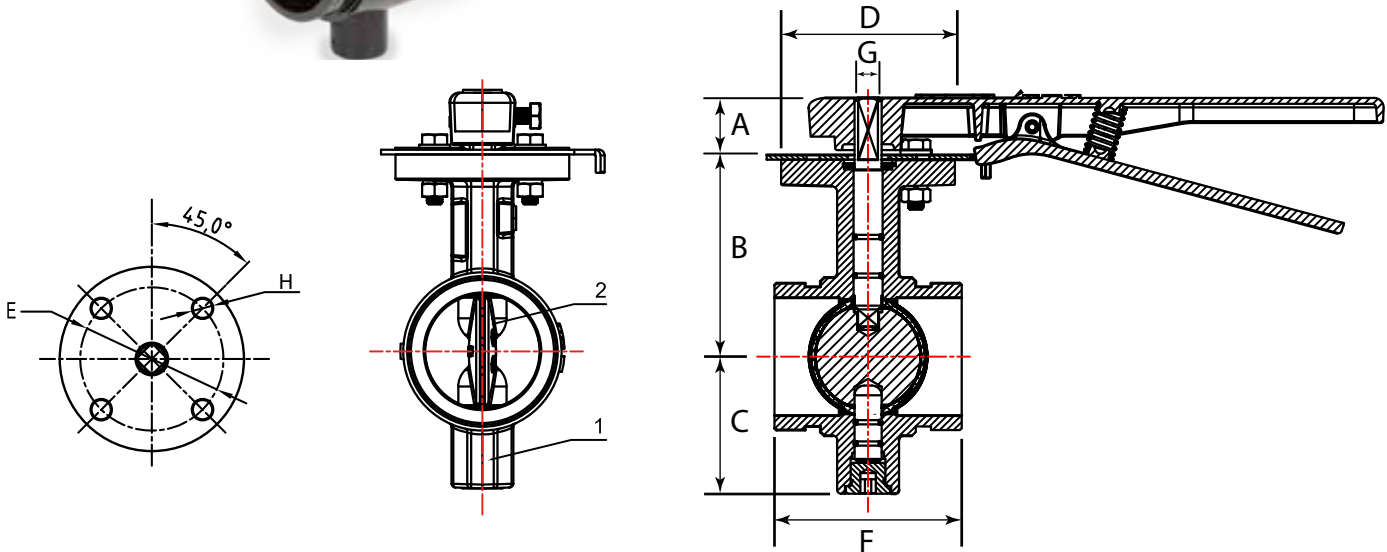
Please see complete installation instructions at www.smithcooper.com for important guidelines and limitations on the use and applications of COOPLOK™ Grooved Couplings and Fittings.



Fig. 67BFVG
Grooved End Butterfly Valve

- 300 psi working pressure
- EPDM 200° F maximum working temperature
- NBR 180° F maximum working temperature
- 10-Position lever handle or gear operator
- Grease fitting on gear operator
- Upper and lower shafts - Stainless Steel Grade 420 ASTM A-276
- O-Rings - EPDM or NBR
- Handwheel - Ductile Iron
- Lever Handle - ASTM A-536 Ductile Iron
- Lever Handle Lengths - 2" - 6" Valves = 10", 8" Valves = 13"
- Suitable for "Dead End" Service

No.	Part	Material Specification
1	Body	ASTM A-536 Ductile Iron, Epoxy Coated
2	Disc	ASTM A-536 Ductile Iron with either EPDM or NBR Coating



Pipe Size in / mm	Part Number				A in / mm	B in / mm	C in / mm	D in / mm	E in / mm	F in / mm	G in / mm	H in / mm	Hand-wheel in / mm	Weight w/Lever lb / kg	Weight w/Gear lb / kg
	EPDM		NBR												
	Lever	Gear	Lever	Gear											
2 50	67BFVGELO20	67BFVGE020	67BFVGNL020	67BFVNG020	1.26 32.0	4.84 123.0	2.17 55.0	3.54 90.0	2.76 70.0	3.19 81.0	0.43 11.0	0.39 10.0	5.75 146.0	6.7 3.0	11.95 5.4
2-1/2 65	67BFVGELO24	67BFVGE024	67BFVGNL024	67BFVNG024	1.26 32.0	5.00 127.0	2.64 67.0	3.54 90.0	2.76 70.0	3.81 96.8	0.43 11.0	0.39 10.0	5.75 146.0	7.5 3.4	12.75 5.8
3 80	67BFVGELO30	67BFVGE030	67BFVGNL030	67BFVNG030	1.26 32.0	4.57 116.0	3.07 78.0	3.54 90.0	2.76 70.0	3.81 96.8	0.43 11.0	0.39 10.0	5.75 146.0	8.7 3.9	13.8 6.3
4 100	67BFVGELO40	67BFVGE040	67BFVGNL040	67BFVNG040	1.26 32.0	5.59 142.0	3.58 91.0	3.54 90.0	2.76 70.0	4.56 115.8	0.55 14.0	0.39 10.0	5.75 146.0	12.2 5.5	16.35 7.4
5 125	67BFVGELO50	67BFVGE050	67BFVGNL050	67BFVNG050	1.26 32.0	5.87 149.0	4.69 119.0	3.54 90.0	2.76 70.0	5.81 147.6	0.55 14.0	0.39 10.0	5.75 146.0	17.3 7.9	24.0 10.9
6 150	67BFVGELO60	67BFVGE060	67BFVGNL060	67BFVNG060	1.26 32.0	6.61 168.0	5.31 135.0	3.54 90.0	2.76 70.0	5.81 147.6	0.67 17.0	0.39 10.0	5.75 146.0	27.1 12.3	41.0 18.4
8 200	67BFVGELO80	67BFVGE080	67BFVGNL080	67BFVNG080	1.57 40.0	7.95 202.0	6.30 160.0	4.92 125.0	4.01 102.0	5.25 133.4	0.67 17.0	0.47 12.0	11.50 292.0	32.5 14.6	46.5 20.9
10 250	-	67BFVGE100	-	67BFVNG100	1.57 40.0	9.00 228.6	7.80 198.0	4.92 125.0	4.01 102.0	6.25 158.8	0.87 22.0	0.47 12.0	11.50 292.0	-	93.0 41.9
12 300	-	67BFVGE120	-	67BFVNG120	1.57 40.0	10.50 266.7	9.06 230.0	4.92 125.0	4.01 102.0	6.50 165.1	0.87 22.0	0.47 12.0	11.50 292.0	-	111.0 49.9



Fig. 67CV-A
Grooved Swing Check Valve

- Designed for use in wet pipe systems
- For vertical* or horizontal installation
- 300 psi working pressure
- EPDM or NBR coated disc; brass seat
- Groove dimensions to AWWA C-606
- Fusion bonded epoxy coated interior & exterior
- Color - Black

*Upward flow only.

Fig. 67CVR-A
UL/FM Grooved Riser Check Valve

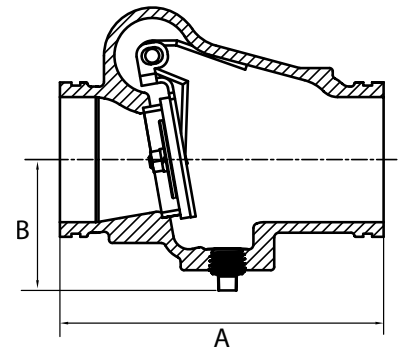
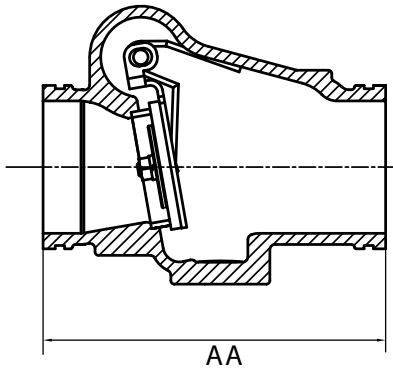
- Designed for use in wet pipe fire sprinkler systems
- Factory NPT tapped and plugged for drain and gauge connections
- Gauge connections: 1/2" NPT
- For vertical or horizontal installation
- 300 psi working pressure
- EPDM coated disc; bronze seat
- Groove dimensions to AWWA C-606
- Fusion bonded epoxy coated interior & exterior
- Color - Red

Fig. 67CVRKIT
UL/FM Grooved Riser Check Valve Trim Kit

- Designed for use with Fig. 67CVR-A

Size IN	Part Number	Weight lb
2-1/2	67CVRKIT024030	5.25
3	67CVRKIT024030	5.25
4	67CVRKIT040	8.00
6	67CVRKIT060080	8.05
8	67CVRKIT060080	8.05

Part	Material	Material Specification
Body	Ductile Iron	ASTM A-536 Grade 65-45-12
Body Seat CV	Stainless Steel	AISI 316
Body Seat CVR	Bronze	ASTM B62
Disc	Stainless or Ductile Iron	ASTM A-536 Grade 65-45-12
Disc Coating	Vulcanized Rubber	EPDM or NBR**
Shaft	Stainless Steel	AISI 316
Spring	Stainless Steel	AISI 304
Shaft Plug	Stainless Steel	AISI 304
Gasket	Rubber	EPDM or NBR**



**NBR available for Fig. 67CV-A only.

Pipe Size in / mm	Part Number			AA in / mm	A in / mm	B in / mm	Weight lb / kg
	Fig. 67CVE-A - EPDM	Fig. 67CVN-A - NBR	Fig. 67CVR-A - EPDM				
2 50	67CVE3020A	67CVN3020A	-	6.73 171.0	7.50 190.0	2.50 63.0	5.9 2.7
2-1/2 65	67CVE3024A	67CVN3024A	67CVR3024A	7.25 184.0	7.25 184.0	3.50 89.0	8.1 3.7
3 80	67CVE3030A	67CVN3030A	67CVR3030A	7.75 197.0	7.75 197.0	3.75 95.0	10.6 4.8
4 100	67CVE3040A	67CVN3040A	67CVR3040A	8.11 206.0	8.11 206.0	4.25 108.0	17.4 7.9
5 125	67CVE3050A	67CVN3050A	-	9.76 248.0	10.50 267.0	4.50 114.0	32.0 14.5
6 150	67CVE3060A	67CVN3060A	67CVR3060A	11.50 292.0	12.75 324.0	5.25 133.0	36.5 16.6
8 200	67CVE3080A	67CVN3080A	67CVR3080A	14.00 355.0	14.60 371.0	6.25 160.0	60.4 27.4
10 250	67CVE3100A	67CVN3100A	-	18.00 457.0	17.00 432.0	7.40 188.0	134.0 60.7
12 300	67CVE3120A	67CVN3120A	-	21.00 533.0	19.50 495.0	8.10 205.0	194.0 88.0

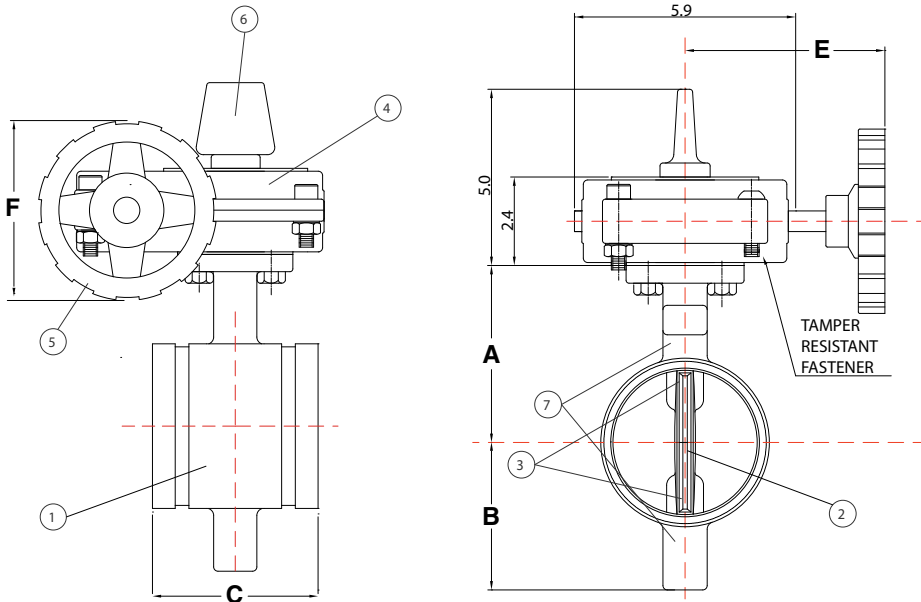


Fig. 67BFVGET
Grooved End Butterfly Valve with Indicator

- 300 psi working pressure
- UL Listed
- FM Approved
- California State Fire Marshall Approval No. 7770-2252:0500
- Factory installed replaceable double tamper switch
- Approved for indoor and outdoor use
- Grooved ends
- Gear operated



No.	Part	Materials Specification
1	Body	ASTM A-536 DI, Epoxy Coated
2	Disc	ASTM A-536 DI, EPDM Encapsulated
3	Upper and Lower Stems	AISI Type 431 Stainless Steel
4	Gear Housing	ASTM A-536 Ductile Iron, Zinc Electroplated
5	Hand Wheel	ASTM A-536 Ductile Iron
6	Flag Indicator	ASTM A-536 Ductile Iron
7	O-Rings (All)	EPDM



Pipe Size in / mm	Part Number	A in / mm	B in / mm	C in / mm	E in / mm	F in / mm	Weight lb / kg
2-1/2 65	67BFVGET024	4.02 102	2.80 71	3.82 97	5.28 134	5.00 127.0	19.0 8.63
3 80	67BFVGET030	4.29 109	3.19 81	3.82 97	5.28 134	5.00 127.0	20.4 9.25
4 100	67BFVGET040	5.04 128	3.74 95	4.57 116	5.28 134	5.00 127.0	23.6 10.71
6 150	67BFVGET060	6.02 153	5.24 133	5.83 148	5.28 134	8.70 221.0	42.4 19.28
8 200	67BFVGET080	7.24 184	6.46 164	5.24 133	8.27 210	8.70 221.0	52.6 23.9

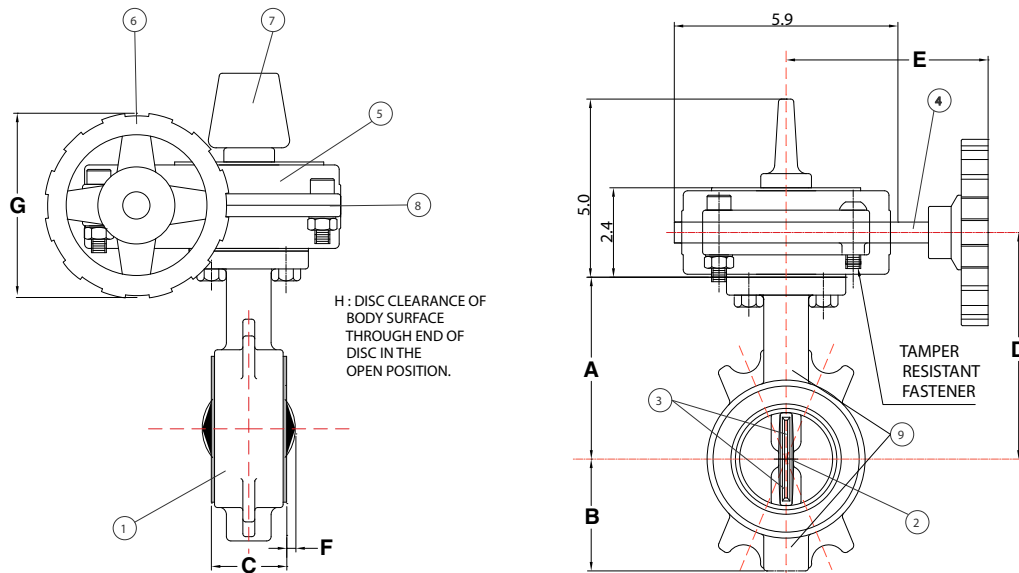
GROOVED

Fig. 67BFVWET
Wafer End Butterfly Valve with Indicator Flag

- 300 psi working pressure
- UL/ULC Listed
- FM Approved
- California State Fire Marshall Approval No. 7770-2252:0500
- Factory installed replaceable double tamper switch
- Approved for indoor and outdoor use
- Install between (2) Class 125/150 flanges
- Gear operated




No.	Part	Material Specification
1	Body	ASTM A-536 DI, Nylon-11 Coated
2	Disc	ASTM A-536 DI, EPDM Encapsulated
3	Upper & Lower Stems	AISI Type 420 Stainless Steel
4	Input Shaft	AISI Type 410 Stainless Steel
5	Gear Housing	ASTM A-536 Ductile Iron
6	Handwheel	ASTM A-536 Ductile Iron
7	Flag Indicator	ASTM A-536 Ductile Iron
8	Gear Housing Gasket	EPDM
9	O-Rings (All)	EPDM

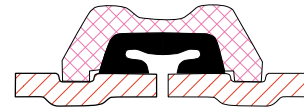
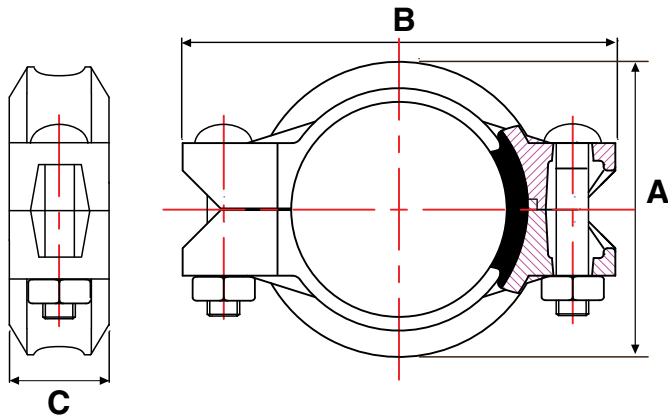


Pipe Size in / mm	Part Number	A in / mm	B in / mm	C in / mm	D in / mm	E in / mm	F in / mm	G in / mm	Weight lb / kg
2-1/2 65	67BFVWET024	5.35 136.0	3.43 87.0	1.81 46.0	6.54 166.0	5.31 135.0	0.32 8.2	5.00 128	22.0 10.0
3 80	67BFVWET030	5.63 143.0	3.66 93.0	1.81 46.0	6.81 173.0	5.31 135.0	0.57 14.5	5.00 128	23.0 10.4
4 100	67BFVWET040	6.14 156.0	4.29 109.0	2.05 52.0	7.32 186.0	5.31 135.0	0.89 22.7	5.00 128	27.0 12.2
6 150	67BFVWET060	7.40 188.0	5.67 144.0	2.20 56.0	8.58 218.0	8.66 193.0	1.79 45.4	8.70 220	33.0 15.0
8 200	67BFVWET080	8.74 222.0	6.54 166.0	2.28 58.0	9.92 252.0	8.66 193.0	2.72 69.1	8.70 220	45.0 20.3



Fig. 65HP
High Pressure Rigid Coupling with “C” Gasket

- Maximum working pressure up to 1000 psi depending on coupling size and schedule of pipe
- All housings, gaskets and bolts identified by SCI logo
- 100% magnetic particle inspection of each bolt
- Each bolt has a minimum tensile strength of 110,000 psi
- Gasket Grade T - Nitrile (double orange stripe) -20°F (-29°C) to +180°F (+82°C)
- Ductile iron housings conform to ASTM A-536 Grade 65-45-12
- Groove dimensions to AWWA C-606
- Finish: Orange enamel paint
- Smith-Cooper Warranty only applies to assemblies made with housings, gaskets and bolts carrying the  logo




“C” Style Gasket – Nitrile

Pipe Size in / mm	Part Number	Pipe OD in / mm	Max Pipe End Gap in / mm	Dimensions			Max Working Pressure* psi / kPa	Max End Load* lb / kg	Case Qty	Weight lb / kg
	Painted			A	B	C				
2 50	65HPN3020N	2.375 60.3	1/8 3.6	3.50 89.0	5.63 143.0	1.89 48.0	1000 6900	2950 1340	15	3.23 1.5
3 80	65HPN3030N	3.500 88.9	1/8 3.6	4.69 119.0	7.01 178.0	1.89 48.0	1000 6900	6600 3000	12	4.63 2.1
4 100	65HPN3040N	4.500 114.3	1/4 6.4	5.94 151.0	8.70 221.0	2.13 54.0	1000 6900	11920 5410	6	8.26 3.8
6 150	65HPN3060N	6.625 168.3	1/4 6.4	8.31 211.0	11.34 288.0	2.28 58.0	1000 6900	26000 11800	-	16.45 7.5
8 200	65HPN3080N	8.625 219.1	1/8 3.2	11.0 280.0	13.7 348.0	2.75 70.0	800 5520	40000 18200	-	26.87 12.2

* Maximum working pressure and maximum end load are determined from all internal and external loads, based on standard weight steel pipe, grooved per Smith-Cooper International (SCI) roll or cut grooved specifications.

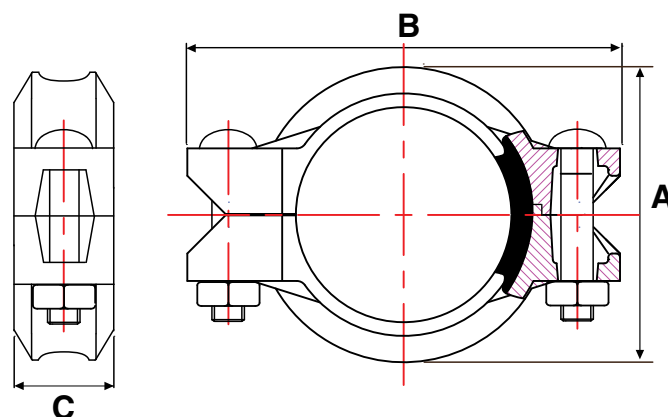
Please see complete installation instructions at www.smithcooper.com for important guidelines and limitations on the use and applications of COOPLOK™ Grooved Couplings and Fittings.

Fig. 65HP-ES
High Pressure Coupling with
End Shield™ Gasket

- Maximum working pressure up to 2500 psi depending on coupling size and schedule of pipe
- All housings, gaskets and bolts identified by SCI logo
- 100% magnetic particle inspection of each bolt
- Each bolt has a Minimum tensile strength of 110,000 psi
- Gasket Grade T - Nitrile (orange stripe) -20°F (-29°C) to +180°F (+82°C)
- Ductile iron housings conform to ASTM A-536 Grade 65-45-12
- May only be used with pipe grooves that match ES Groove specifications.
- Finish: Black Enamel Paint
- Smith-Cooper Warranty only applies to assemblies made with housings, gaskets and bolts carrying the  logo
- **Extra Heavy “ES” End Shield™ fittings are available (fabricated steel); Schedule 80, cut grooved**
 Contact Smith-Cooper International for fitting types and sizes.



End Shield™ Gasket – Nitrile



Pipe Size in / mm	Part Number	Pipe OD in / mm	Max Pipe End Gap in / mm	Dimensions			Max Working Pressure* psi / kPa	Max End Load* lb / kg	Case Qty	Weight lb / kg
	Painted			A	B	C				
2 50	65HPES3020	2.375 60.3	3/16 4.8	3.50 89.0	5.63 143.0	1.89 48.0	2500 17250	7350 3340	15	3.43 1.5
3 80	65HPES3030	3.500 88.9	3/16 4.8	4.69 119.0	7.01 178.0	1.89 48.0	2500 17250	16500 7500	12	4.53 2.1
4 100	65HPES3040	4.500 114.3	3/16 4.8	5.94 151.0	8.70 221.0	2.13 54.0	2500 17250	28700 13000	6	8.17 3.7
6 150	65HPES3060	6.625 168.3	1/4 6.7	8.31 211.0	11.34 288.0	2.28 58.0	2000 13800	63100 28600	-	16.95 7.7
8 200	65HPE3080N	8.625 219.1	1/8 3.2	11.0 280.0	13.7 348.0	2.75 70.0	1500 10350	75000 34000	-	27.2 12.3

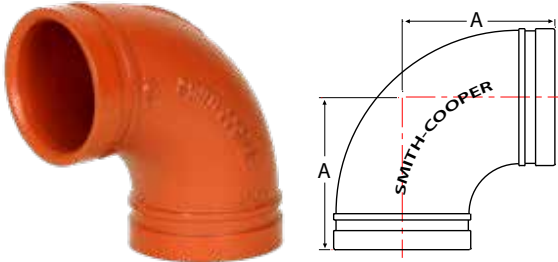
* Maximum working pressure and maximum end load are determined from all internal and external loads, based on standard weight steel pipe, grooved per Smith-Cooper International (SCI) End Shield™ (ES) Cut Groove Specifications.

NOTE:

65HP-ES couplings are not designed for, and cannot be used with, COOPLOK™ Grooved fittings or 67 Series Grooved Butterfly Valves. Refer to End Shield™ (ES) Cut Groove Specifications.

Fig. 65HPE
90° Elbow, Standard Radius

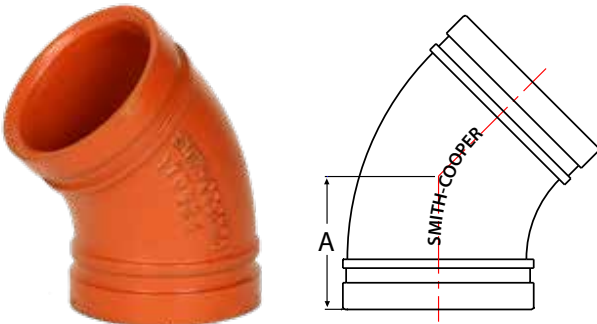
- Ductile Iron - Full Flow
- 1000 psi
- 800 psi 8" only



Pipe Size in / mm	Part Number	A in / mm	Case Qty	Weight lb / kg
2 50	65HPE1020	3.25 82.6	20	1.9 0.88
3 80	65HPE1030	4.25 108.0	8	4.1 1.88
4 100	65HPE1040	5.00 127.0	8	8.0 3.64
5 125	65HPE1050	5.50 139.7	-	16.0 7.30
6 150	65HPE1060	6.50 165.1	-	34.8 15.80
8 200	65HPE1080	7.75 196.9	-	28.7 13.0

Fig. 65HPF
45° Elbow, Standard Radius

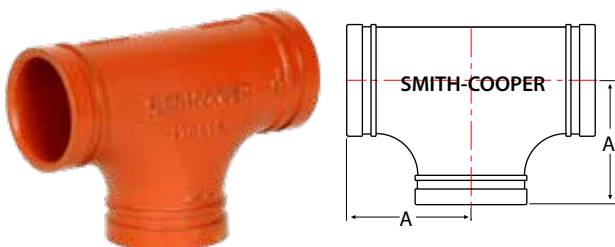
- Ductile Iron - Full Flow
- 1000 psi
- 800 psi 8" only



Pipe Size in / mm	Part Number	A in / mm	Case Qty	Weight lb / kg
2 50	65HPF1020	2.00 50.8	30	1.4 0.62
3 80	65HPF1030	2.50 63.5	10	3.0 1.34
4 100	65HPF1040	3.00 76.2	6	5.9 2.68
5 125	65HPF1050	3.25 82.6	-	12.3 5.58
6 150	65HPF1060	3.50 88.9	-	23.2 10.52
8 200	65HPF1080	4.25 108.0	-	19.5 8.8

Fig. 65HPT
Tee, Standard Radius

- Ductile Iron - Full Flow
- 1000 psi
- 800 psi 8" only



Pipe Size in / mm	Part Number	A in / mm	Case Qty	Weight lb / kg
2 50	65HPT1020	3.25 82.6	15	3.2 1.5
3 80	65HPT1030	4.25 108.0	10	6.8 3.1
4 100	65HPT1040	5.00 127.0	5	12.1 5.5
5 125	65HPT1050	5.50 139.7	-	29.1 13.2
6 150	65HPT1060	6.50 165.1	-	49.6 22.5
8 200	65HPT1080	7.75 196.9	-	41.1 18.6

Pipe Size in / mm	Part Number	A in / mm	Case Qty	Weight lb / kg
6 x 2 150 x 50	65HPRT1060020	6.50 165.1	-	25.2 11.42
6 x 3 150 x 80	65HPRT1060030	6.50 165.1	-	26.5 12.02
6 x 4 150 x 100	65HPRT1060040	6.50 165.1	-	28.6 12.96
8 x 6 200 x 150	65HPRT1080060	7.75 196.9	-	46.3 21.00

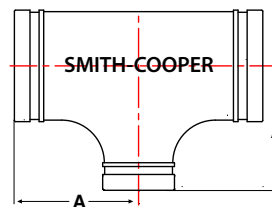


Fig. 65HPRT
Reducing Tee,
Standard Radius

- Ductile Iron sizes – Full Flow
- 1000 psi
- 800 psi 8" only



Pipe Size in / mm	Part Number	A in / mm	Case Qty	Weight lb / kg
2-1/2 x 2 65 x 50	65HPCR1024020	2.50 64.0	-	1.0 0.48
3 x 2 80 x 50	65HPCR1030020	2.50 64.0	-	1.3 0.58
4 x 2 100 x 50	65HPCR1040020	3.00 76.2	-	2.2 1.01
4 x 3 100 x 80	65HPCR1040030	3.00 76.2	-	2.5 1.12
6 x 2 150 x 50	65HPCR1060020	4.00 102.1	-	5.4 2.44
6 x 3 150 x 80	65HPCR1060030	4.00 102.1	-	5.5 2.50
6 x 4 150 x 100	65HPCR1060040	4.00 102.1	-	5.6 2.54
8 x 4 200 x 100	65HPCR1080040	5.0 127.0	-	10.4 4.70

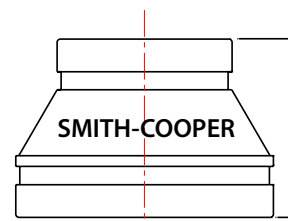


Fig. 65HPCR
Concentric Reducer,
Standard Radius

- Ductile Iron – Full Flow
- 1000 psi
- 800 psi 8" only



Pipe Size in / mm	Part Number	A in / mm	Case Qty	Weight lb / kg
2 50	65HPX1020	3.25 82.6	20	3.7 1.7
3 80	65HPX1030	4.25 108.0	7	7.7 3.5
4 100	65HPX1040	5.00 127.0	4	14.8 6.7
6 150	65HPX1060	6.50 165.1	-	32.4 14.7
8 200	6HPX1080	7.75 196.9	-	53.0 24.0

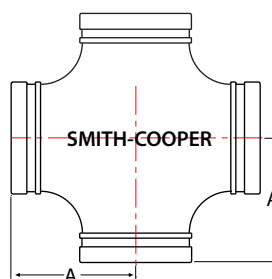


Fig. 65HPX
Cross, Standard Radius

- Ductile Iron - Full Flow
- 1000 psi
- 800 psi 8" only



Pipe Size in / mm	Part Number	A in / mm	Case Qty	Weight lb / kg
6 150	65HPC1060	1.00 25.4	10	6.7 3.1
8 200	65HPC1080	1.19 30.2	5	12.9 5.9
6 150	65HPCT1060	1.00 25.4	10	6.6 3.0
8 200	65HPCT1080	1.19 30.2	5	13.1 5.8

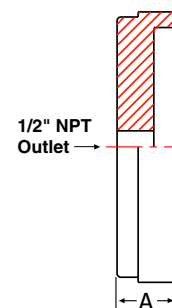


Fig. 65HPC / 65HPCT
Cap
(w/ tap)

- Ductile Iron
- 1000 psi 6"
- 800 psi 8"

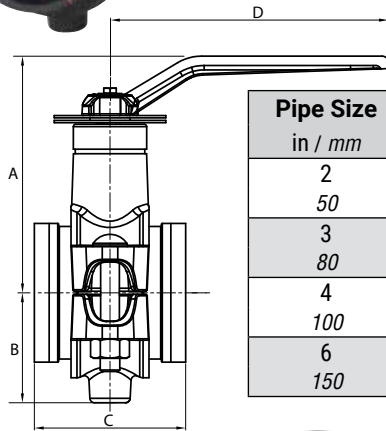




Fig. 67LPN
"Low Profile"
Grooved Butterfly Valve

- Designed for use in oil, gas and mining services
- Ductile Iron housing
- Carbon Steel body, NBR Elastomer Lined
- 316 Stainless Steel disc
- 2-position cast handle with padlock feature
- 200 psi working pressure
- Color - Black

Part	Material	Material Specification
Housing	Ductile Iron	ASTM A-536, 65-45-12
Body	Carbon Steel	NBR Elastomer Lined
Seat	NBR	
Disc	Stainless Steel	AISI 316
Stem	Stainless Steel	AISI 416
O-Ring	NBR	
Bolt/Nuts	Carbon Steel	Zinc Plated
Handle	Ductile Iron	ASTM A-536, 65-45-12



Pipe Size in / mm	Part Number	A in / mm	B in / mm	C in / mm	D in / mm	Weight lb / kg
2 50	67LPN2020	4.70 120.0	1.90 48.0	3.20 81.0	5.50 140.0	3.80 1.70
3 80	67LPN2030	5.95 151.0	2.75 70.0	3.85 97.0	7.00 178.0	7.45 3.40
4 100	67LPN2040	7.10 180.0	3.50 89.0	4.50 116.0	9.00 229.0	12.50 5.87
6 150	67LPN2060	9.00 230.0	4.50 114.0	5.80 148.0	12.00 305.0	31.10 14.15

Fig. 67BFVG
Grooved End Butterfly Valve

- 300 psi working pressure
- NBR 180° F maximum working temperature
- 10-Position lever handle or gear operator
- Grease fitting on gear operator
- Upper and lower shafts - Stainless Steel Grade 420 ASTM A-276
- O-Rings - NBR
- Body - ASTM A-536 Ductile Iron, Epoxy Coated
- Disc - ASTM A-536 Ductile Iron with NBR Coating
- Handwheel - Ductile Iron
- Lever Handle - ASTM A-536 Ductile Iron
- Lever Handle Lengths - 2" - 6" Valves = 10", 8" Valves = 13"
- Suitable for "Dead End" Service

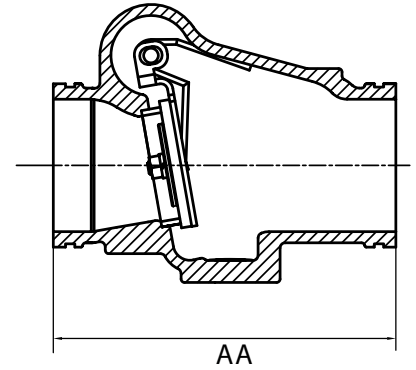
See page 147 for drawings



Pipe Size in / mm	Part Number NBR		A in / mm	B in / mm	C in / mm	D in / mm	E in / mm	F in / mm	G in / mm	H in / mm	Hand-wheel in / mm	Weight w/Lever lb / kg	Weight w/Gear lb / kg
	Lever	Gear											
2 50	67BFVGNL020	67BFVNGG020	1.26 32.0	4.84 123.0	2.17 55.0	3.54 90.0	2.76 70.0	3.19 81.0	0.43 11.0	0.39 10.0	5.75 146.0	6.7 3.0	11.95 5.4
2-1/2 65	67BFVGNL024	67BFVNGG024	1.26 32.0	5.00 127.0	2.64 67.0	3.54 90.0	2.76 70.0	3.81 96.8	0.43 11.0	0.39 10.0	5.75 146.0	7.5 3.4	12.75 5.8
3 80	67BFVGNL030	67BFVNGG030	1.26 32.0	4.57 116.0	3.07 78.0	3.54 90.0	2.76 70.0	3.81 96.8	0.43 11.0	0.39 10.0	5.75 146.0	8.7 3.9	13.8 6.3
4 100	67BFVGNL040	67BFVNGG040	1.26 32.0	5.59 142.0	3.58 91.0	3.54 90.0	2.76 70.0	4.56 115.8	0.55 14.0	0.39 10.0	5.75 146.0	12.2 5.5	16.35 7.4
5 125	67BFVGNL050	67BFVNGG050	1.26 32.0	5.87 149.0	4.69 119.0	3.54 90.0	2.76 70.0	5.81 147.6	0.55 14.0	0.39 10.0	5.75 146.0	17.3 7.9	24.0 10.9
6 150	67BFVGNL060	67BFVNGG060	1.26 32.0	6.61 168.0	5.31 135.0	3.54 90.0	2.76 70.0	5.81 147.6	0.67 17.0	0.39 10.0	5.75 146.0	27.1 12.3	41.0 18.4
8 200	67BFVGNL080	67BFVNGG080	1.57 40.0	7.95 202.0	6.30 160.0	4.92 125.0	4.01 102.0	5.25 133.4	0.67 17.0	0.47 12.0	11.50 292.0	32.5 14.6	46.5 20.9
10 250	-	67BFVNGG100	1.57 40.0	9.00 228.6	7.80 198.0	4.92 125.0	4.01 102.0	6.25 158.8	0.87 22.0	0.47 12.0	11.50 292.0	-	93.0 41.9
12 300	-	67BFVNGG120	1.57 40.0	10.50 266.7	9.06 230.0	4.92 125.0	4.01 102.0	6.50 165.1	0.87 22.0	0.47 12.0	11.50 292.0	-	111.0 49.9

Fig. 67CV-A
Grooved Swing Check Valve

- Designed for use in wet pipe systems
- For vertical* or horizontal installation
- 300 psi working pressure
- NBR coated disc; brass seat
- Groove dimensions to AWWA C-606
- Fusion bonded epoxy coated interior & exterior
- Color – Black



Pipe Size in / mm	Part Number	AA in / mm	B in / mm	Weight lb / kg
	Fig. 67CVN-A - NBR			
2 50	67CVN3020A	6.73 171.0	2.50 63.0	5.9 2.7
2-1/2 65	67CVN3024A	7.25 184.0	3.50 89.0	8.1 3.7
3 80	67CVN3030A	7.75 197.0	3.75 95.0	10.6 4.8
4 100	67CVN3040A	8.11 206.0	4.25 108.0	17.4 7.9
5 125	67CVN3050A	9.76 248.0	4.50 114.0	32.0 14.5
6 150	67CVN3060A	11.50 292.0	5.25 133.0	36.5 16.6
8 200	67CVN3080A	14.00 355.0	6.25 160.0	60.4 27.4
10 250	67CVN3100A	18.00 457.0	7.40 188.0	134.0 60.7
12 300	67CVN3120A	21.00 533.0	8.10 205.0	194.0 88.0

Part	Material	Material Specification
Body	Ductile Iron	ASTM A-536 Grade 65-45-12
Body Seat	Brass	ASTM B62 C83600
Disc	Stainless or Ductile Iron	ASTM A-536 Grade 65-45-12
Disc Coating	Vulcanized Rubber	NBR
Shaft	Stainless Steel	AISI 316
Spring	Stainless Steel	AISI 304
Shaft Plug	Stainless Steel	AISI 304
Gasket	Rubber	NBR

Fig. 67CVO
Grooved Swing Check Valve with Bonnet

- Designed for use in oil, gas and mining services
- For horizontal installation only
- Removable bonnet for inline access and service
- 300 psi working pressure
- 316 Stainless Steel disc
- Color – Black

Part	Material	Material Specification
Body	Ductile Iron	ASTM A-536
Disc	Stainless Steel	AISI 316
Bolts	Carbon Steel	ASTM A-183
Gasket	Rubber	NBR

Pipe Size in / mm	Part Number	A in / mm	B in / mm	Weight lb / kg
2 50	67CVON3020	9.00 229.0	5.12 130.0	11.00 5.00
3 80	67CVON3030	10.75 273.0	6.00 152.0	19.20 8.73
4 100	67CVON3040	12.00 305.0	6.88 175.0	33.50 15.20
6 152	67CVON3060	16.15 410	8.86 225	52.6 23.9

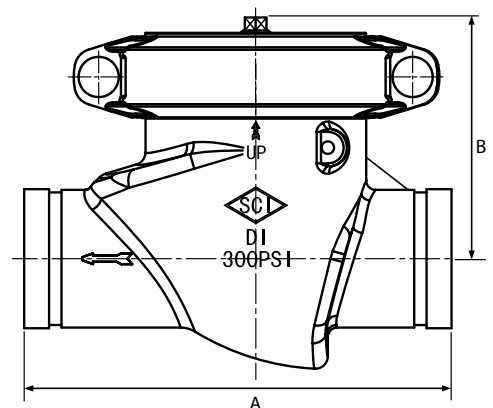
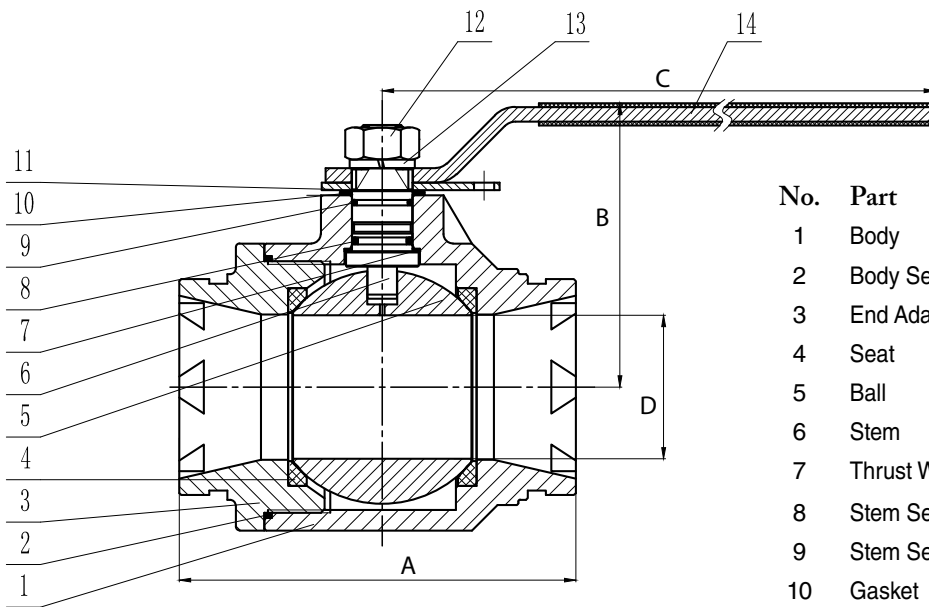




Fig. 67GBV
Grooved Ball Valve

- Ductile Iron body, standard port
- NACE Compliant
- 316 Stainless Steel ball and stem
- PTFE body seat
- Viton® B Stem seals
- Lever handle with padlock feature
- Grooved end dimensions to AWWA C-606
- 2" – 4": 1,000 psi working pressure
- 6": 1,500 psi working pressure
- Color - Black

Not for use in potable water systems



No.	Part	Materials Specification
1	Body	ASTM A395 60-40-18
2	Body Seal	Viton B
3	End Adapter	ASTM A395 60-40-18
4	Seat	PTFE + 15% GF
5	Ball	ASTM A182 F316
6	Stem	ASTM A176 316
7	Thrust Washer	PTFE
8	Stem Seal	Viton B
9	Stem Seal	Viton B
10	Gasket	PTFE
11	Stop Plate	Carbon Steel + Ni
12	Nut	Carbon Steel + Zn
13	Spring Washer	Spring Steel
14	Handle	Carbon Steel

Pipe Size in / mm	Part Number	A in / mm	B in / mm	C in / mm	D in / mm	Weight lb / kg
2 50	67GBV1020	5.51 140.0	4.29 109.0	8.54 216.9	1.50 38.1	9.5 4.32
3 80	67GBV1030	6.73 170.9	5.57 141.5	10.00 254.0	2.56 65.0	22.2 10.09
4 100	67GBV1040	8.27 210.1	5.92 150.4	13.50 342.9	3.00 76.2	35.7 16.23
6 150	67GBV1060	10.12 257.0	10.13 257.3	39.37 1000.0	5.00 127.0	97.5 44.32

GROOVED OIL

"C" Type and Triple Seal Gaskets:

1. Check to ensure that gasket is suitable for intended service and that the pipe groove is suitable for the intended coupling.
2. "C" type gasket is pre-lubricated; additional lubrication may be necessary. All other gaskets must be suitably lubricated.
3. Remove any dirt or debris from gasket and pipe ends.
4. Install gasket by placing it over pipe, ensuring that gasket lip does not overhang pipe end.
5. Bring both pipe ends together ensuring and align vertically and horizontally.
6. Slide gasket into position, properly centering between the grooved section of each pipe.
7. Place coupling housings over gasket so that the housing keys are fully engaged into the grooves.
8. Insert bolts into coupling and rotate nuts until finger tight.
9. Wrench-tighten bolts alternately to the torque requirements shown below.

End Shield™ Gaskets:

1. Check to ensure that gasket is suitable for intended service and that the pipe groove is suitable for the intended coupling.
2. "C" type gasket is pre-lubricated; additional lubrication may be necessary. All other gaskets must be suitably lubricated.
3. Remove any dirt or debris from gasket and pipe ends.
4. Insert the pipe end into the gasket until it contacts the gasket's center rib.
5. Bring both pipe ends together and align vertically and horizontally.
6. Insert the second pipe end into the gasket until it contacts the center rib.
7. Place coupling housings over gasket making sure that the tongue and recess areas of the housing mate properly.
8. Insert bolts into coupling and rotate nuts until finger tight.
9. Wrench-tighten bolts alternately to the torque requirements shown below.

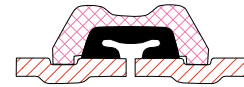
Grooved Coupling Bolt Torques

Pipe Size in / mm	Standard Flexible 65SF & 66SF ft /lbs / N/M	Standard Rigid 65SR & 66SR ft /lbs / N/M	Lightweight Flex- ible 65LF & 66LF ft /lbs / N/M	Lightweight Rigid 65LR & 66LR ft /lbs / N/M	Reducing Cou- pling 65RC & 66RC ft /lbs / N/M	High Pressure 65HP & 65HP-ES ft /lbs / N/M
1 25	30 40	30 40	-	-	-	-
1-1/4 32	50 65	30 40	30 40	30 40	-	-
1-1/2 40	50 65	30 40	30 40	30 40	-	-
2 50	50 65	30 40	30 40	30 40	30 40	90 120
2-1/2 65	50 65	50 65	30 40	30 40	50 65	-
3 80	50 65	50 65	30 40	30 40	50 65	90 120
3-1/2 90	90 120	50 65	50 65	30 40	-	-
4 100	90 120	50 65	50 65	30 40	50 65	150 200
5 125	150 200	90 120	90 120	50 65	90 120	-
6 150	150 200	90 120	90 120	50 65	90 120	200 270
8 200	200 270	150 200	150 200	90 120	150 200	-
10 250	250 340	200 270	-	-	-	-
12 300	250 340	200 270	-	-	-	-
14 350	250 340	200 270	-	-	-	-
16 400	250 340	200 270	-	-	-	-
18 450	300 400	200 270	-	-	-	-
20 500	300 400	250 340	-	-	-	-
24 600	300 400	250 340	-	-	-	-

GROOVED

Standard "C" Type – Fig. 65GCPE (EPDM), 65GCPN (Nitrile) 65GCPF (Fluoroelastomer)

Standard "C" Type gaskets are the most commonly used coupling gasket. When installed, they provide a seal over each grooved pipe end. As coupling housings are tightened, they form the gasket to the inside cavity of the coupling creating an additional seal. The pressure of the system increases the sealing action of the gasket against the pipe, providing a leak-tight seal. For use with COOPLOK™ 65LR, 65LF, 65SR & 65SF couplings. For COOPLOK™ 65HP Couplings, use 65GHPN (Nitrile with Double Orange Stripe) gaskets only.



Available in Pre-Lubricated EPDM, Nitrile & Fluoroelastomer*. Sizes: 1-1/4" to 24"
 *(Sizes: 1-1/4" to 12")

Triple Seal – Fig. 65GTRI (EPDM)

Triple Seal gaskets are typically used in dry pipe fire protection systems, freezer applications and vacuum service. They differ from the "C" Type gasket in that they have an additional center sealing surface that sits over the pipe gap where the grooved pipe ends meet. As the coupling housing is tightened, the center seal closes off the pipe gap and provides the "triple seal". Sold as part of COOPLOK™ 65LRTRI coupling.

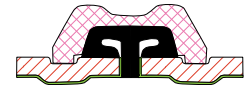


(NOTE: A petroleum-free silicone based lubricant is recommended for dry pipe systems.)

Available in EPDM only. Sizes: 1-1/4" to 8"

End Shield™ – Fig. 65GCPNES (Nitrile)

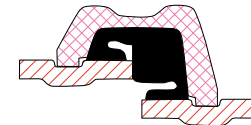
End Shield™ gaskets are specially designed for use with COOPLOK™ Grooved 65HP-ES high pressure rigid couplings in applications with lined pipe. They differ from the Triple Seal gasket in that the center rib is positioned in between the pipe ends. This results in a continuous lined surface and protects the pipe ends from corrosion and damage.



Available in Nitrile only. Sizes: 2", 3", 4" & 6"

Reducing Coupling – Fig. 65GRCE (EPDM) & 65GRCN (Nitrile)

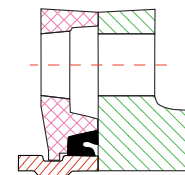
Reducing Coupling gaskets provide sealing surfaces for the two sizes of pipe they join, similar to the "C" Type gaskets. Coupling housings are tightened and the gasket seals each grooved pipe end. For use with COOPLOK™ 65RC coupling sizes only.



Available in EPDM & Nitrile. Sizes: 2" x 1-1/2" to 8" x 6"

Flange Adapter – Fig. 65GFHE (EPDM) & Fig. 65GFHN (Nitrile)

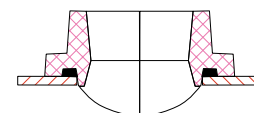
The Flange Adapter gasket provides a seal between the grooved end pipe and the flange surface it meets. Specifically designed for use with COOPLOK™ 65FH Hinged Flanged Adapter.



Available in EPDM & Nitrile. Sizes: 2" to 12"

Mechanical Tee – Fig. 65GMT (EPDM) & Strap Tee – Fig. 65GMU (EPDM)

Mechanical Tee & Strap Tee gaskets are made to conform to the exterior surface of the pipe. When fittings are tightened, a compression-type seal is formed. For use with COOPLOK™ 65MT, 65MG & 65MU fittings.



Available in EPDM only. Sizes: 2" to 8" for 65MT & 65MG; 1-1/4" to 2-1/2" for 65MU

Please see complete installation instructions at www.smithcooper.com for important guidelines and limitations on the use and applications of SCI COOPLOK™, Grooved Couplings and Fittings.

Gasket Selection Guidelines:

Smith-Cooper International carries a variety of gaskets for the COOPLOK™ Grooved product line. These gaskets are manufactured from different rubber compounds that will allow the use of COOPLOK™ Grooved products in a range of applications.

Each is uniquely identified with the SCI logo and figure number of the matching COOPLOK™ part, as required by Underwriters Laboratories.

Proper gasket selection is critical for specific intended service and/or application. Improper selection of rubber compound may result in joint failure or leakage, causing potential injury or damage.

Gasket Storage:

- Gaskets need to be stored indoors, in a cool, dry place, not subjected to freezing conditions, in original SCI packaging.
- Basic instructions on storage, cleaning and preservations of elastomer sealing element are described in ISO 2230 and must be observed.
- Gaskets exposed to light, heat, moisture, oils, solvents, oxygen and ozone may impair gasket performance. Exposure to these elements can degrade the elastomer which may cause softening, cracking, deformation, hardening and possible breakage if stored in an inappropriate manner.

Standard Gaskets

Grade	Temp. Range	Compound	Color Code	General Service Applications
E	-30°F to +230°F (-34°C to 110°C)	EPDM	Green Stripe	Water, dilute acids, alkalis, salts, and many chemical services not involving hydrocarbons, oils, or gases. Excellent oxidation resistance. NOT FOR USE WITH HYDROCARBONS, LUBRICANTS OR OILS
T	-20°F to +180°F (-29°C to 82°C)	Nitrile (Buna-N)	Orange Stripe	Petroleum products, vegetable oils, mineral oils and air contaminated with petroleum oils. NOT FOR USE IN HOT WATER SERVICES.
O	+20°F to +300°F (-6°C to 149°C)	Fluoroelastomer	Blue Stripe	High temperature resistance to oxidizing acids, petroleum oils, hydraulic fluids, halogenated hydrocarbons, and lubricants.

Gasket Grades – Common Applications

Water and Air Service	Gasket Grade
Air, (no oil vapors) Temp. -40°F to 230°F (-40° to 110°C)	E
Air, Oil vapor Temp. -20°F to 150°F (-29°C to 66°C)	T
Air, Oil vapor Temp. 20°F to 300°F (-7°C to 149°C)	O
Water, Temp. to 150°F (66°C)	E/T*
Water, Temp. to 230°F (110°C)	E
Water, Acid Mine	E/T*
Water, Chlorine	E/O*
Water, Deionized	E/T*
Water, Seawater	E/T*
Water, Waste	E/T*
Water, Lime	E/T*

Petroleum Products Service	Gasket Grade
Crude Oil - Sour	T
Diesel Oil	T
Fuel Oil	T
Gasoline, Leaded	T
Gasoline, Unleaded	O
Hydraulic Oil	T
JP-3, JP-4, and JP-5	T/O*
JP-6, 100°F (38°C) Maximum Temp.	T
Kerosene	T
Lube Oil, to 150°F (66°C)	T
Motor Oil	T
Tar and Tar Oil	T
Transmission Fluid - Type A	O
Turbo Oil #15 Diester Lubricant	O

*Where more than one gasket grade is shown the preferred gasket grade is listed first.