

Fig. 42RP3 – Round Head Plug

Size in	Part Number	A in	B in	Master	Weight lb
1/2	42RP3004	0.84	1.75	150	0.2
3/4	42RP3006	1.06	1.75	100	0.4
1	42RP3010	1.31	2.00	80	0.7
1-1/4	42RP3012	1.69	2.00	50	1.2
1-1/2	42RP3014	1.91	2.00	30	1.7
2	42RP3020	2.38	2.50	20	3.2

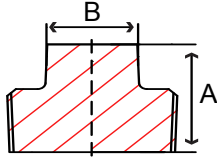


Fig. 42SP3, S4034SP & S4036SP – Square Head Plug

Size in	Part Number			A in	B in	Master	Weight lb
	Steel	304 / 304L	316 / 316L				
1/8	42SP3001	S4034SP001	S4036SP001	0.63	0.28	800	0.02
1/4	42SP3002	S4034SP002	S4036SP002	0.69	0.38	800	0.02
3/8	42SP3003	S4034SP003	S4036SP003	0.81	0.44	500	0.06
1/2	42SP3004	S4034SP004	S4036SP004	0.94	0.56	300	0.1
3/4	42SP3006	S4034SP006	S4036SP006	1.06	0.62	200	0.2
1	42SP3010	S4034SP010	S4036SP010	1.25	0.81	150	0.3
1-1/4	42SP3012	S4034SP012	S4036SP012	1.37	0.94	80	0.5
1-1/2	42SP3014	S4034SP014	S4036SP014	1.43	1.12	50	0.8
2	42SP3020	S4034SP020	S4036SP020	1.57	1.31	30	1.3
2-1/2	42SP3024	-	-	1.81	1.50	15	2.1
3	42SP3030	-	-	1.93	1.69	10	3.3
4	42SP3040	-	-	2.25	2.50	3	8.4

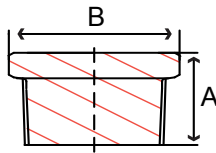


Fig. 42HP3, S4034HP & S4036HP – Hex Head Plug

Size in	Part Number			A in	B in	Master	Weight lb
	Steel	304 / 304L	316 / 316L				
1/8	42HP3001	S4034HP001	S4036HP001	0.63	0.44	800	0.02
1/4	42HP3002	S4034HP002	S4036HP002	0.69	0.62	800	0.06
3/8	42HP3003	S4034HP003	S4036HP003	0.81	0.69	600	0.08
1/2	42HP3004	S4034HP004	S4036HP004	0.87	0.88	250	0.1
3/4	42HP3006	S4034HP006	S4036HP006	1.00	1.06	150	0.3
1	42HP3010	S4034HP010	S4036HP010	1.13	1.38	100	0.4
1-1/4	42HP3012	S4034HP012	S4036HP012	1.37	1.75	35	0.9
1-1/2	42HP3014	S4034HP014	S4036HP014	1.43	2.00	25	1.3
2	42HP3020	S4034HP020	S4036HP020	1.57	2.50	20	2.2
2-1/2	42HP3024	S4034HP024	S4036HP024	1.81	3.00	8	3.9
3	42HP3030	S4034HP030	S4036HP030	1.93	3.50	6	5.7
4	42HP3040	-	-	2.25	4.62	4	11.4



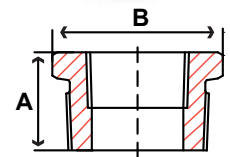
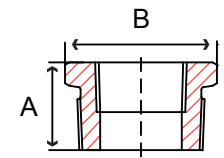
Plugs and bushings are not identified by class designation. They may be used for ratings up through Class 6000 designation



SCI ProPak™ System

Fig. 42HB3 Carbon Steel, S4034HB & S4036HB Stainless Steel – Hex Bushing

Size in	Part Number			A in	B in	Master	Weight lb
	Steel	304 / 304L	316 / 316L				
1/4 x 1/8	42HB3002001	S4034HB002001	S4036HB002001	0.56	0.62	600	0.02
3/8 x 1/8	42HB3003001	S4034HB003001	S4036HB003001	0.66	0.69	500	0.02
3/8 x 1/4	42HB3003002	S4034HB003002	S4036HB003002	0.66	0.69	500	0.02
1/2 x 1/8	42HB3004001	S4034HB004001	S4036HB004001	0.75	0.88	400	0.06
1/2 x 1/4	42HB3004002	S4034HB004002	S4036HB004002	0.75	0.88	400	0.06
1/2 x 3/8	42HB3004003	S4034HB004003	S4036HB004003	0.75	0.88	400	0.06
3/4 x 1/8	42HB3006001	S4034HB006001	S4036HB006001	0.84	1.06	200	0.1
3/4 x 1/4	42HB3006002	S4034HB006002	S4036HB006002	0.84	1.06	200	0.1
3/4 x 3/8	42HB3006003	S4034HB006003	S4036HB006003	0.84	1.06	200	0.1
3/4 x 1/2	42HB3006004	S4034HB006004	S4036HB006004	0.84	1.06	200	0.1
1 x 1/8	42HB3010001	S4034HB010001	S4036HB010001	1.00	1.38	100	0.2
1 x 1/4	42HB3010002	S4034HB010002	S4036HB010002	1.00	1.38	100	0.2
1 x 3/8	42HB3010003	S4034HB010003	S4036HB010003	1.00	1.38	100	0.2
1 x 1/2	42HB3010004	S4034HB010004	S4036HB010004	1.00	1.38	100	0.2
1 x 3/4	42HB3010006	S4034HB010006	S4036HB010006	1.00	1.38	100	0.2
1-1/4 x 1/8	42HB3012001	S4034HB012001	S4036HB012001	1.09	1.75	70	0.8
1-1/4 x 1/4	42HB3012002	S4034HB012002	S4036HB012002	1.09	1.75	70	0.3
1-1/4 x 3/8	42HB3012003	S4034HB012003	S4036HB012003	1.09	1.75	70	0.3
1-1/4 x 1/2	42HB3012004	S4034HB012004	S4036HB012004	1.09	1.75	70	0.5
1-1/4 x 3/4	42HB3012006	S4034HB012006	S4036HB012006	1.09	1.75	70	0.5
1-1/4 x 1	42HB3012010	S4034HB012010	S4036HB012010	1.09	1.75	70	0.5
1-1/2 x 1/8	42HB3014001	S4034HB014001	S4036HB014001	1.12	2.00	50	1.3
1-1/2 x 1/4	42HB3014002	S4034HB014002	S4036HB014002	1.12	2.00	50	1.3
1-1/2 x 3/8	42HB3014003	S4034HB014003	S4036HB014003	1.12	2.00	50	1.3
1-1/2 x 1/2	42HB3014004	S4034HB014004	S4036HB014004	1.12	2.00	50	1.0
1-1/2 x 3/4	42HB3014006	S4034HB014006	S4036HB014006	1.12	2.00	50	0.8
1-1/2 x 1	42HB3014010	S4034HB014010	S4036HB014010	1.12	2.00	50	0.7
1-1/2 x 1-1/4	42HB3014012	S4034HB014012	S4036HB014012	1.12	2.00	50	0.7
2 x 1/4	42HB3020002	S4034HB020002	S4036HB020002	1.22	2.50	25	0.8
2 x 3/8	42HB3020003	S4034HB020003	S4036HB020003	1.22	2.50	25	1.8
2 x 1/2	42HB3020004	S4034HB020004	S4036HB020004	1.22	2.50	25	1.7
2 x 3/4	42HB3020006	S4034HB020006	S4036HB020006	1.22	2.50	25	1.6
2 x 1	42HB3020010	S4034HB020010	S4036HB020010	1.22	2.50	25	1.5
2 x 1-1/4	42HB3020012	S4034HB020012	S4036HB020012	1.22	2.50	25	0.9
2 x 1-1/2	42HB3020014	S4034HB020014	S4036HB020014	1.22	2.50	25	0.9
2-1/2 x 1/2	42HB3024004	S4034HB024004	S4036HB024004	1.44	3.00	15	1.1
2-1/2 x 3/4	42HB3024006	S4034HB024006	S4036HB024006	1.44	3.00	15	1.1
2-1/2 x 1	42HB3024010	S4034HB024010	S4036HB024010	1.44	3.00	15	1.1
2-1/2 x 1-1/4	42HB3024012	S4034HB024012	S4036HB024012	1.44	3.00	15	1.1
2-1/2 x 1-1/2	42HB3024014	S4034HB024014	S4036HB024014	1.44	3.00	15	1.3
2-1/2 x 2	42HB3024020	S4034HB024020	S4036HB024020	1.44	3.00	15	1.3
3 x 1/4	42HB3030002	S4034HB030002	S4036HB030002	1.53	3.50	10	5.3
3 x 1/2	42HB3030004	S4034HB030004	S4036HB030004	1.53	3.50	10	5.2
3 x 3/4	42HB3030006	S4034HB030006	S4036HB030006	1.53	3.50	10	4.6
3 x 1	42HB3030010	S4034HB030010	S4036HB030010	1.53	3.50	10	5.0
3 x 1-1/4	42HB3030012	S4034HB030012	S4036HB030012	1.53	3.50	10	3.4
3 x 1-1/2	42HB3030014	S4034HB030014	S4036HB030014	1.53	3.50	10	3.1
3 x 2	42HB3030020	S4034HB030020	S4036HB030020	1.53	3.50	10	2.7
3 x 2-1/2	42HB3030024	S4034HB030024	S4036HB030024	1.53	3.50	10	2.3
4 x 1	42HB3040010	-	-	1.75	4.62	5	9.4
4 x 1-1/4	42HB3040012	-	-	1.75	4.62	5	8.5
4 x 1-1/2	42HB3040014	-	-	1.75	4.62	5	7.6
4 x 2	42HB3040020	-	-	1.75	4.62	5	6.7
4 x 2-1/2	42HB3040024	-	-	1.75	4.62	5	5.7
4 x 3	42HB3040030	-	-	1.75	4.62	5	4.7



Plugs and bushings are not identified by class designation. They may be used for ratings up through Class 6000 designation

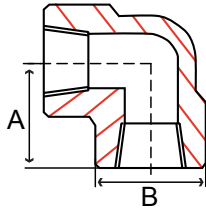


Fig. 42E 2 – 90° Elbow

Size in	Part Number	A in	B in	Master	Weight lb
1/8	42E 2001	0.81	0.88	150	0.2
1/4	42E 2002	0.81	0.88	150	0.2
3/8	42E 2003	0.97	1.00	100	0.3
1/2	42E 2004	1.12	1.31	80	0.5
3/4	42E 2006	1.31	1.50	50	0.7
1	42E 2010	1.50	1.81	30	1.1
1-1/4	42E 2012	1.75	2.19	20	1.8
1-1/2	42E 2014	2.00	2.44	15	2.3
2	42E 2020	2.38	2.97	8	3.7
2-1/2	42E 2024	3.00	3.62	4	6.9
3	42E 2030	3.38	4.31	2	10.0
4	42E 2040	4.19	5.75	1	22.5

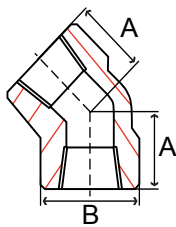


Fig. 42F 2 – 45° Elbow

Size in	Part Number	A in	B in	Master	Weight lb
1/4	42F 2002	0.69	0.88	150	0.2
3/8	42F 2003	0.75	1.00	100	0.2
1/2	42F 2004	0.88	1.31	80	0.4
3/4	42F 2006	1.00	1.50	50	0.5
1	42F 2010	1.12	1.81	30	0.9
1-1/4	42F 2012	1.31	2.19	20	1.4
1-1/2	42F 2014	1.38	2.44	15	1.8
2	42F 2020	1.69	2.97	10	3.1
2-1/2	42F 2024	2.06	3.62	6	7.6
3	42F 2030	2.50	4.31	2	11.9
4	42F 2040	3.12	5.75	2	19.7

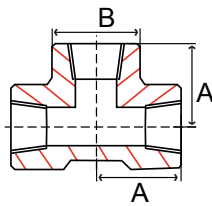


Fig. 42T 2 – Tee

Size in	Part Number	A in	B in	Master	Weight lb
1/4	42T 2002	0.81	0.88	100	0.2
3/8	42T 2003	0.97	1.00	80	0.3
1/2	42T 2004	1.12	1.31	50	0.6
3/4	42T 2006	1.31	1.50	35	0.9
1	42T 2010	1.50	1.81	20	1.5
1-1/4	42T 2012	1.75	2.19	15	2.3
1-1/2	42T 2014	2.00	2.44	10	3.0
2	42T 2020	2.38	2.97	6	4.7
2-1/2	42T 2024	3.00	3.62	3	9.0
3	42T 2030	3.38	4.31	2	13.4
4	42T 2040	4.19	5.75	1	32.4

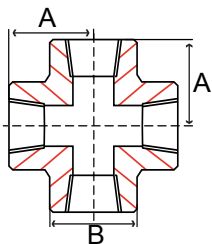


Fig. 42X 2 – Cross

Size in	Part Number	A in	B in	Master	Weight lb
3/8	42X 2003	0.97	1.00	60	0.4
1/2	42X 2004	1.12	1.31	40	0.8
3/4	42X 2006	1.31	1.50	30	1.1
1	42X 2010	1.50	1.81	20	1.6
1-1/4	42X 2012	1.75	2.19	10	2.4
1-1/2	42X 2014	2.00	2.44	6	3.5
2	42X 2020	2.38	2.97	4	5.7
2-1/2	42X 2024	3.00	3.62	3	10.4
3	42X 2030	3.38	4.31	3	15.0

3000#

Fig. 42E 3, S4034E & S4036E – 90° Elbow

Size in	Part Number			A in	B in	Master	Weight lb
	Steel	304/304L	316/316L				
1/8	42E 3001	S4034E 001	S4036E 001	0.81	0.88	100	0.2
1/4	42E 3002	S4034E 002	S4036E 002	0.97	1.00	100	0.7
3/8	42E 3003	S4034E 003	S4036E 003	1.12	1.31	80	0.6
1/2	42E 3004	S4034E 004	S4036E 004	1.31	1.50	50	0.9
3/4	42E 3006	S4034E 006	S4036E 006	1.50	1.81	25	1.5
1	42E 3010	S4034E 010	S4036E 010	1.75	2.19	20	2.2
1-1/4	42E 3012	S4034E 012	S4036E 012	2.00	2.44	15	3.1
1-1/2	42E 3014	S4034E 014	S4036E 014	2.38	2.97	6	4.8
2	42E 3020	S4034E 020	S4036E 020	2.50	3.31	5	5.4
2-1/2	42E 3024	S4034E 024	S4036E 024	3.25	4.00	2	13.2
3	42E 3030	S4034E 030	S4036E 030	3.75	4.75	1	19.5
4	42E 3040	-	-	4.50	6.00	1	32.7

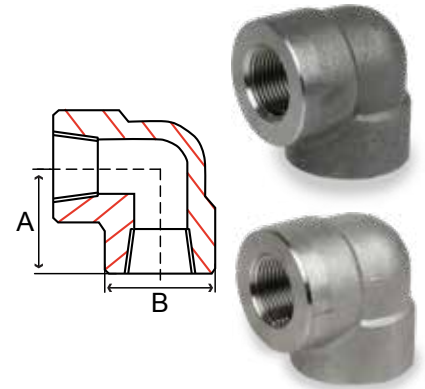


Fig. 42SE3, S4034SE & S4036SE – 90° Street Elbow

Size in	Part Number			A in	B in	C in	Master	Weight lb
	Steel	304/304L	316/316L					
1/8	42SE3001	S4034SE001	S4036SE001	0.75	0.75	1.25	200	0.2
1/4	42SE3002	S4034SE002	S4036SE002	0.88	1.00	1.25	150	0.2
3/8	42SE3003	S4034SE003	S4036SE003	1.00	1.25	1.50	80	0.4
1/2	42SE3004	S4034SE004	S4036SE004	1.12	1.50	1.69	50	0.6
3/4	42SE3006	S4034SE006	S4036SE006	1.38	1.75	1.94	30	1.1
1	42SE3010	S4034SE010	S4036SE010	1.75	2.00	2.31	20	2.2
1-1/4	42SE3012	S4034SE012	S4036SE012	2.00	2.44	2.69	15	2.4
1-1/2	42SE3014	S4034SE014	S4036SE014	2.12	2.75	2.81	8	4.4
2	42SE3020	S4034SE020	S4036SE020	2.50	3.31	3.38	5	6.4

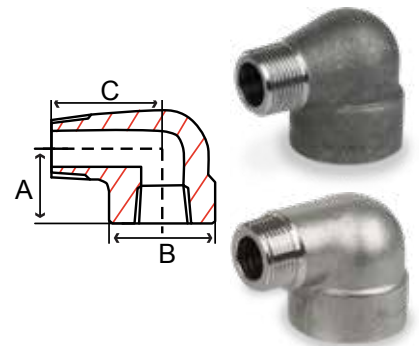


Fig. 42F 3, S4034F & S4036F – 45° Elbow

Size in	Part Number			A in	B in	Master	Weight lb
	Steel	304/304L	316/316L				
1/8	42F 3001	S4034F 001	S4036F 001	0.66	0.86	100	0.2
1/4	42F 3002	S4034F 002	S4036F 002	0.75	1.00	100	0.2
3/8	42F 3003	S4034F 003	S4036F 003	0.88	1.31	80	0.5
1/2	42F 3004	S4034F 004	S4036F 004	1.00	1.50	50	0.7
3/4	42F 3006	S4034F 006	S4036F 006	1.12	1.81	30	1.2
1	42F 3010	S4034F 010	S4036F 010	1.31	2.19	20	2.0
1-1/4	42F 3012	S4034F 012	S4036F 012	1.38	2.44	15	2.2
1-1/2	42F 3014	S4034F 014	S4036F 014	1.69	2.97	8	4.5
2	42F 3020	S4034F 020	S4036F 020	1.72	3.31	6	4.9
2-1/2	42F 3024	S4034F 024	S4036F 024	2.06	4.00	2	8.1
3	42F 3030	S4034F 030	S4036F 030	2.50	4.75	2	13.1
4	42F 3040	-	-	3.12	6.00	1	19.7

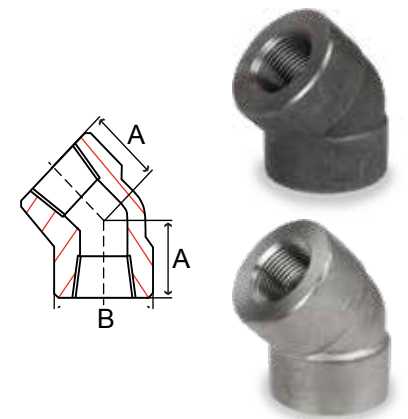
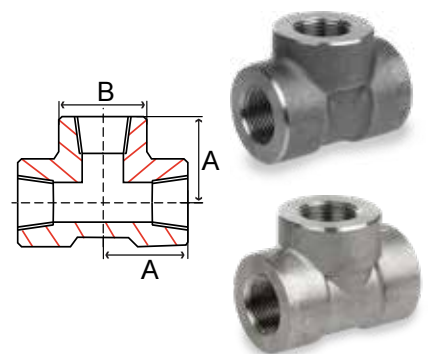


Fig. 42T 3, S4034T & S4036T – Tee

Size in	Part Number			A in	B in	Master	Weight lb
	Steel	304/304L	316/316L				
1/8	42T 3001	S4034T 001	S4036T 001	0.81	0.88	80	0.2
1/4	42T 3002	S4034T 002	S4036T 002	0.97	1.00	80	0.4
3/8	42T 3003	S4034T 003	S4036T 003	1.12	1.31	50	0.8
1/2	42T 3004	S4034T 004	S4036T 004	1.31	1.50	35	1.2
3/4	42T 3006	S4034T 006	S4036T 006	1.50	1.81	20	2.0
1	42T 3010	S4034T 010	S4036T 010	1.75	2.19	15	3.2
1-1/4	42T 3012	S4034T 012	S4036T 012	2.00	2.44	10	3.8
1-1/2	42T 3014	S4034T 014	S4036T 014	2.38	2.97	5	7.2
2	42T 3020	S4034T 020	S4036T 020	2.50	3.31	4	7.7
2-1/2	42T 3024	S4034T 024	S4036T 024	3.25	4.00	2	15.4
3	42T 3030	S4034T 030	S4036T 030	3.75	4.75	1	22.4
4	42T 3040	-	-	4.50	6.00	1	39.6



FORGED

Fig. 42RT3, S4034RT & S4036RT – Reducing Tee

Size in	Part Number			A in	B in	Master	Weight lb
	Steel	304/304L	316/316L				
1/2 X 1/4	-	S4034RT004002	S4036RT004002	1.30	1.49	20	1.8
3/4 X 1/4	-	S4034RT006002	S4036RT006002	1.50	1.81	15	2.9
3/4 X 3/8	-	S4034RT006003	S4036RT006003	1.50	1.81	15	2.9
3/4 x 1/2	42RT3006004	S4034RT006004	S4036RT006004	1.50	1.81	20	1.8
1 X 3/8	-	S4034RT010003	S4036RT010003	1.75	2.19	10	3.6
1 x 1/2	42RT3010004	S4034RT010004	S4036RT010004	1.75	2.19	15	2.9
1 x 3/4	42RT3010006	S4034RT010006	S4036RT010006	1.75	2.19	15	2.9
1-1/4 x 1/2	42RT3012004	-	-	2.00	2.44	10	3.6
1-1/4 x 3/4	42RT3012006	-	-	2.00	2.44	10	3.6
1-1/4 x 1	42RT3012010	-	-	2.00	2.44	10	3.6
1-1/2 x 1/2	42RT3014004	S4034RT014004	S4036RT014004	2.38	2.97	5	6.8
1-1/2 x 3/4	42RT3014006	S4034RT014006	S4036RT014006	2.38	2.97	5	6.8
1-1/2 x 1	42RT3014010	S4034RT014010	S4036RT014010	2.38	2.97	5	6.8
1-1/2 x 1-1/4	42RT3014012	S4034RT014012	S4036RT014012	2.38	2.97	5	6.8
2 X 3/8	-	S4034RT020003	S4036RT020003	2.50	3.31	4	7.0
2 x 1/2	42RT3020004	S4034RT020004	S4036RT020004	2.50	3.31	4	7.0
2 x 3/4	42RT3020006	S4034RT020006	S4036RT020006	2.50	3.31	4	7.0
2 x 1	42RT3020010	S4034RT020010	S4036RT020010	2.50	3.31	4	7.0
2 x 1-1/4	42RT3020012	S4034RT020012	S4036RT020012	2.50	3.31	4	7.0
2 x 1-1/2	42RT3020014	S4034RT020014	S4036RT020014	2.50	3.31	4	7.0

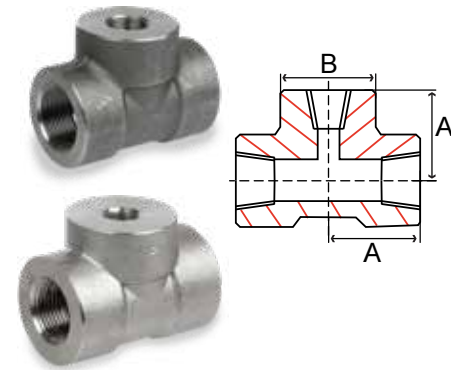


Fig. 42X 3, S4034X & S4036X – Cross

Size in	Part Number			A in	B in	Master	Weight lb
	Steel	304/304L	316/316L				
1/8	42X 3001	S4034X 001	S4036X 001	0.81	0.88	40	0.4
1/4	42X 3002	S4034X 002	S4036X 002	0.97	1.00	40	0.5
3/8	42X 3003	S4034X 003	S4036X 003	1.12	1.31	40	0.9
1/2	42X 3004	S4034X 004	S4036X 004	1.31	1.50	30	1.4
3/4	42X 3006	S4034X 006	S4036X 006	1.50	1.81	20	2.5
1	42X 3010	S4034X 010	S4036X 010	1.75	2.19	12	3.5
1-1/4	42X 3012	S4034X 012	S4036X 012	2.00	2.44	6	4.1
1-1/2	42X 3014	S4034X 014	S4036X 014	2.38	2.97	4	6.5
2	42X 3020	S4034X 020	S4036X 020	2.50	3.31	4	8.1
2-1/2	42X 3024	-	-	3.25	4.00	2	39.8
3	42X 3030	-	-	3.75	4.75	2	22.0
4	42X 3040	-	-	4.50	6.00	1	48.8

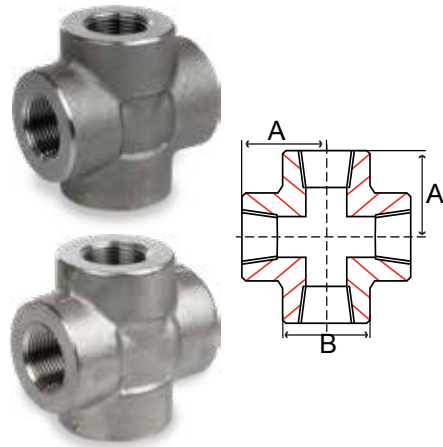
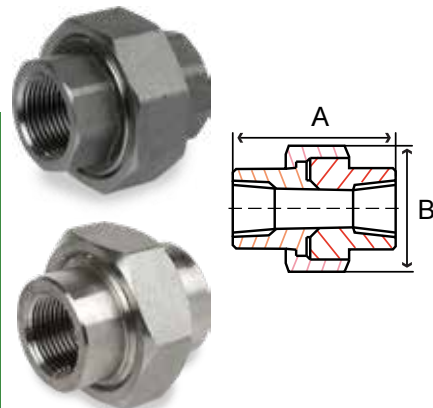


Fig. 42U 3, S4034U & S4036U – Union

Size in	Part Number			A in	B in	Master	Weight lb
	Steel	304/304L	316/316L				
1/8	42U 3001	S4034U 001	S4036U 001	1.66	1.48	70	0.6
1/4	42U 3002	S4034U 002	S4036U 002	1.66	1.48	70	0.6
3/8	42U 3003	S4034U 003	S4036U 003	1.83	1.66	70	0.5
1/2	42U 3004	S4034U 004	S4036U 004	2.00	1.93	50	0.7
3/4	42U 3006	S4034U 006	S4036U 006	2.31	2.38	35	1.0
1	42U 3010	S4034U 010	S4036U 010	2.42	2.78	20	1.6
1-1/4	42U 3012	S4034U 012	S4036U 012	2.86	3.35	14	2.2
1-1/2	42U 3014	S4034U 014	S4036U 014	3.00	3.70	10	3.5
2	42U 3020	S4034U 020	S4036U 020	3.50	4.42	5	5.3
2-1/2	42U 3024	S4034U 024	S4036U 024	4.25	5.22	3	8.0
3	42U 3030	S4034U 030	S4036U 030	4.42	6.15	2	11.6
4	42U 3040	-	-	7.00	6.20	-	27.4



FORGED

3000#

Fig. 42CP3, S4034CP & S4036CP – Coupling

Size in	Part Number			A in	B in	Master	Weight lb
	Steel	304/304L	316/316L				
1/8	42CP3001	S4034CP001	S4036CP001	1.25	0.62	250	0.1
1/4	42CP3002	S4034CP002	S4036CP002	1.38	0.75	250	0.1
3/8	42CP3003	S4034CP003	S4036CP003	1.50	0.88	200	0.1
1/2	42CP3004	S4034CP004	S4036CP004	1.88	1.12	100	0.2
3/4	42CP3006	S4034CP006	S4036CP006	2.00	1.38	70	0.4
1	42CP3010	S4034CP010	S4036CP010	2.38	1.75	35	0.9
1-1/4	42CP3012	S4034CP012	S4036CP012	2.62	2.25	20	1.7
1-1/2	42CP3014	S4034CP014	S4036CP014	3.12	2.50	15	2.3
2	42CP3020	S4034CP020	S4036CP020	3.38	3.00	10	3.0
2-1/2	42CP3024	S4034CP024	S4036CP024	3.62	3.62	5	5.0
3	42CP3030	S4034CP030	S4036CP030	4.25	4.25	3	7.4
4	42CP3040	S4034CP040	S4036CP040	4.75	5.50	2	13.8

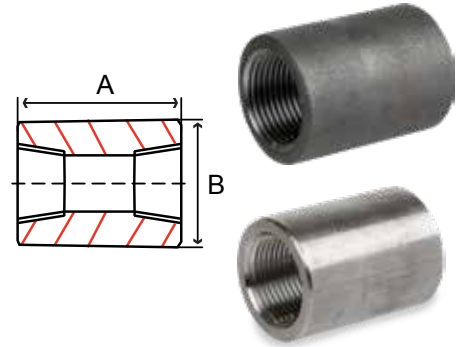


Fig. 42HP3, S4034HC & S4036HC – Half Coupling

Size in	Part Number			A in	B in	Master	Weight lb
	Steel	304/304L	316/316L				
1/8	42HC3001	S4034HC001	S4036HC001	0.62	0.62	400	0.04
1/4	42HC3002	S4034HC002	S4036HC002	0.69	0.75	800	0.04
3/8	42HC3003	S4034HC003	S4036HC003	0.75	0.88	500	0.06
1/2	42HC3004	S4034HC004	S4036HC004	0.94	1.12	250	0.1
3/4	42HC3006	S4034HC006	S4036HC006	1.00	1.38	150	0.2
1	42HC3010	S4034HC010	S4036HC010	1.17	1.75	80	0.5
1-1/4	42HC3012	S4034HC012	S4036HC012	1.31	2.25	35	0.7
1-1/2	42HC3014	S4034HC014	S4036HC014	1.56	2.50	30	1.1
2	42HC3020	S4034HC020	S4036HC020	1.67	3.00	20	1.5
2-1/2	42HC3024	S4034HC024	S4036HC024	1.81	3.62	12	2.4
3	42HC3030	S4034HC030	S4036HC030	2.12	4.25	6	3.7
4	42HC3040	-	-	2.37	5.50	4	6.8

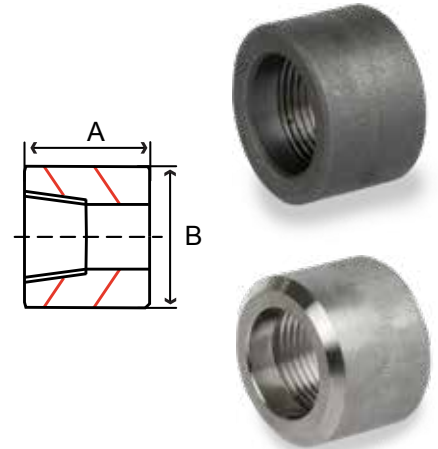
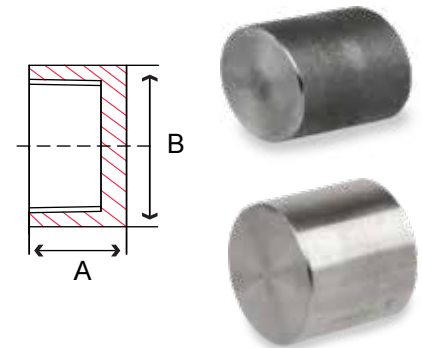


Fig. 42C 3, S4034C & S4036C – Cap

Size in	Part Number			A in	B in	Master	Weight lb
	Steel	304/304L	316/316L				
1/8	42C 3001	S4034C 001	S4036C 001	0.75	0.62	300	0.05
1/4	42C 3002	S4034C 002	S4036C 002	1.00	0.75	300	0.1
3/8	42C 3003	S4034C 003	S4036C 003	1.00	0.88	250	0.1
1/2	42C 3004	S4034C 004	S4036C 004	1.25	1.12	130	0.2
3/4	42C 3006	S4034C 006	S4036C 006	1.44	1.38	80	0.3
1	42C 3010	S4034C 010	S4036C 010	1.62	1.75	50	0.8
1-1/4	42C 3012	S4034C 012	S4036C 012	1.75	2.25	30	1.3
1-1/2	42C 3014	S4034C 014	S4036C 014	1.75	2.50	25	1.5
2	42C 3020	S4034C 020	S4036C 020	1.88	3.00	15	2.4
2-1/2	42C 3024	S4034C 024	S4036C 024	2.38	3.62	10	4.8
3	42C 3030	S4034C 030	S4036C 030	2.56	4.25	5	7.7
4	42C 3040	-	-	2.69	5.50	3	10.6



FORGED

Fig. 42RC3, S4034RC & S4036RC – Reducing Coupling



Size in	Part Number			A in	B in	Master	Weight lb
	Steel	304/304L	316/316L				
1/4 x 1/8	42RC3002001	S4034RC002001	S4036RC002001	1.38	0.75	250	0.1
3/8 x 1/8	42RC3003001	S4034RC003001	S4036RC003001	1.50	0.88	200	0.1
3/8 x 1/4	42RC3003002	S4034RC003002	S4036RC003002	1.50	0.88	200	0.1
1/2 x 1/8	42RC3004001	S4034RC004001	S4036RC004001	1.88	1.12	100	0.2
1/2 x 1/4	42RC3004002	S4034RC004002	S4036RC004002	1.88	1.12	100	0.4
1/2 x 3/8	42RC3004003	S4034RC004003	S4036RC004003	1.88	1.12	100	0.2
3/4 x 1/8	42RC3006001	-	-	2.00	1.33	70	0.4
3/4 x 1/4	42RC3006002	S4034RC006002	S4036RC006002	2.00	1.33	70	0.4
3/4 x 3/8	42RC3006003	S4034RC006003	S4036RC006003	2.00	1.33	70	0.4
3/4 x 1/2	42RC3006004	S4034RC006004	S4036RC006004	2.00	1.33	70	0.4
1 x 1/8	42RC3010001	-	-	2.38	1.75	35	0.8
1 x 1/4	42RC3010002	S4034RC010002	S4036RC010002	2.38	1.75	35	0.8
1 x 3/8	42RC3010003	S4034RC010003	S4036RC010003	2.38	1.75	35	0.8
1 x 1/2	42RC3010004	S4034RC010004	S4036RC010004	2.38	1.75	35	0.8
1 x 3/4	42RC3010006	S4034RC010006	S4036RC010006	2.38	1.75	35	0.8
1-1/4 x 1/8	42RC3012001	-	-	2.62	2.25	20	1.5
1-1/4 x 1/4	42RC3012002	S4034RC012004	S4036RC012004	2.62	2.25	20	1.5
1-1/4 x 3/8	42RC3012003	-	-	2.62	2.25	20	1.5
1-1/4 x 1/2	42RC3012004	S4034RC012004	S4036RC012004	2.62	2.25	20	1.5
1-1/4 x 3/4	42RC3012006	S4034RC012006	S4036RC012006	2.62	2.25	20	1.5
1-1/4 x 1	42RC3012010	S4034RC012010	S4036RC012010	2.62	2.25	20	1.5
1-1/2 x 1/8	42RC3014001	-	-	3.12	2.50	15	2.1
1-1/2 x 1/4	42RC3014002	S4034RC014002	S4036RC014002	3.12	2.50	15	2.1
1-1/2 x 3/8	42RC3014003	S4034RC014003	S4036RC014003	3.12	2.50	15	2.1
1-1/2 x 1/2	42RC3014004	S4034RC014004	S4036RC014004	3.12	2.50	15	2.1
1-1/2 x 3/4	42RC3014006	S4034RC014006	S4036RC014006	3.12	2.50	15	2.1
1-1/2 x 1	42RC3014010	S4034RC014010	S4036RC014010	3.12	2.50	15	2.8
1-1/2 x 1-1/4	42RC3014012	S4034RC014012	S4036RC014012	3.12	2.50	15	2.1
2 x 1/8	42RC3020001	-	-	3.38	3.00	10	3.0
2 x 1/4	42RC3020002	-	-	3.38	3.00	10	3.0
2 x 3/8	42RC3020003	-	-	3.38	3.00	10	3.0
2 x 1/2	42RC3020004	S4034RC020004	S4036RC020004	3.38	3.00	10	3.0
2 x 3/4	42RC3020006	S4034RC020006	S4036RC020006	3.38	3.00	10	3.0
2 x 1	42RC3020010	S4034RC020010	S4036RC020010	3.38	3.00	10	4.5
2 x 1-1/4	42RC3020012	S4034RC020012	S4036RC020012	3.38	3.00	10	3.3
2 x 1-1/2	42RC3020014	S4034RC020014	S4036RC020014	3.38	3.00	10	3.9
2-1/2 x 1/2	42RC3024004	-	-	3.62	3.62	5	5.7
2-1/2 x 3/4	42RC3024006	-	-	3.62	3.62	5	4.5
2-1/2 x 1	42RC3024010	-	-	3.62	3.62	5	4.5
2-1/2 x 1-1/4	42RC3024012	-	-	3.62	3.62	5	4.5
2-1/2 x 1-1/2	42RC3024014	-	-	3.62	3.62	5	4.5
2-1/2 x 2	42RC3024020	-	-	3.62	3.62	5	4.5
3 x 3/4	42RC3030006	-	-	4.25	4.25	3	6.7
3 x 1	42RC3030010	-	-	4.25	4.25	3	6.7
3 x 1-1/4	42RC3030012	-	-	4.25	4.25	3	6.7
3 x 1-1/2	42RC3030014	-	-	4.25	4.25	3	6.7
3 x 2	42RC3030020	-	-	4.25	4.25	3	6.7
3 x 2-1/2	42RC3030024	-	-	4.25	4.25	3	6.7
4 x 1-1/2	42RC3040014	-	-	4.75	5.50	2	11.9
4 x 2	42RC3040020	-	-	4.75	5.50	2	11.9
4 x 2-1/2	42RC3040024	-	-	4.75	5.50	2	11.9
4 x 3	42RC3040030	-	-	4.75	5.50	2	11.9

3000#

Fig. 52E 3, S5034E & S5036E – 90° Elbow

Size in	Part Number			A in	B in	Master	Weight lb
	Steel	304/304L	316/316L				
1/8	52E 3001	S5034E 001	S5036E 001	0.82	0.68	150	0.2
1/4	52E 3002	S5034E 002	S5036E 002	0.82	0.82	150	0.3
3/8	52E 3003	S5034E 003	S5036E 003	0.91	0.98	100	0.2
1/2	52E 3004	S5034E 004	S5036E 004	1.00	1.20	80	0.4
3/4	52E 3006	S5034E 006	S5036E 006	1.25	1.41	50	0.7
1	52E 3010	S5034E 010	S5036E 010	1.38	1.74	30	1.1
1-1/4	52E 3012	S5034E 012	S5036E 012	1.56	2.10	20	1.8
1-1/2	52E 3014	S5034E 014	S5036E 014	1.75	2.36	15	2.3
2	52E 3020	S5034E 020	S5036E 020	2.12	2.89	8	3.7
2-1/2	52E 3024	S5034E 024	S5036E 024	2.24	3.54	4	7.0
3	52E 3030	S5034E 030	S5036E 030	2.87	4.21	2	11.8
4	52E 3040	-	-	3.37	5.30	1	24.1

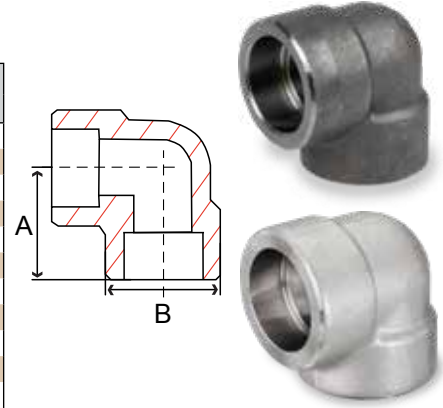


Fig. 52F 3, S5034F & S5036F – 45° Elbow

Size in	Part Number			A in	B in	Master	Weight lb
	Steel	304/304L	316/316L				
1/8	52F 3001	S5034F 001	S5036F 001	0.69	0.68	150	0.3
1/4	52F 3002	S5034F 002	S5036F 002	0.69	0.82	150	0.3
3/8	52F 3003	S5034F 003	S5036F 003	0.69	0.98	100	0.2
1/2	52F 3004	S5034F 004	S5036F 004	0.82	1.20	80	0.4
3/4	52F 3006	S5034F 006	S5036F 006	1.00	1.41	50	0.6
1	52F 3010	S5034F 010	S5036F 010	1.06	1.74	30	0.9
1-1/4	52F 3012	S5034F 012	S5036F 012	1.19	2.10	20	1.5
1-1/2	52F 3014	S5034F 014	S5036F 014	1.31	2.36	15	1.7
2	52F 3020	S5034F 020	S5036F 020	1.62	2.89	10	2.9
2-1/2	52F 3024	S5034F 024	S5036F 024	1.74	3.54	5	5.5
3	52F 3030	S5034F 030	S5036F 030	1.87	4.21	2	11.2
4	52F 3040	-	-	2.37	5.30	1	20.7

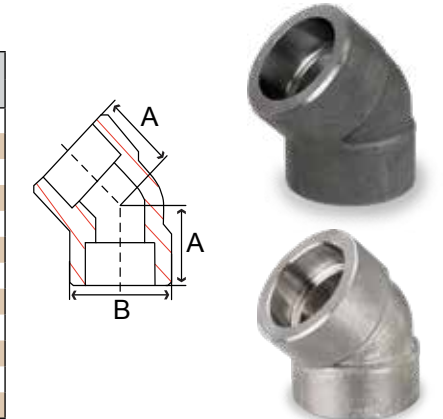


Fig. 52X 3, S5034T & S5036T – Cross

Size in	Part Number			A in	B in	Master	Weight lb
	Steel	304/304L	316/316L				
1/8	-	S5034X 001	S5036X 001	0.82	0.82	60	1.1
1/4	52X 3002	S5034X 002	S5036X 002	0.82	0.82	60	1.1
3/8	52X 3003	S5034X 003	S5036X 003	0.91	0.98	60	1.0
1/2	52X 3004	S5034X 004	S5036X 004	1.00	1.20	40	0.8
3/4	52X 3006	S5034X 006	S5036X 006	1.25	1.41	30	1.0
1	52X 3010	S5034X 010	S5036X 010	1.38	1.74	20	1.6
1-1/4	52X 3012	S5034X 012	S5036X 012	1.56	2.10	10	2.6
1-1/2	52X 3014	S5034X 014	S5036X 014	1.75	2.36	6	3.5
2	52X 3020	S5034X 020	S5036X 020	2.12	2.89	4	5.1
3	52X 3030	-	-	2.87	4.21	2	13.5
4	52X 3040	-	-	3.37	5.30	1	39.0

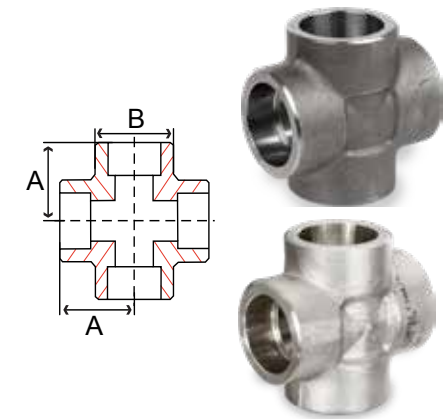
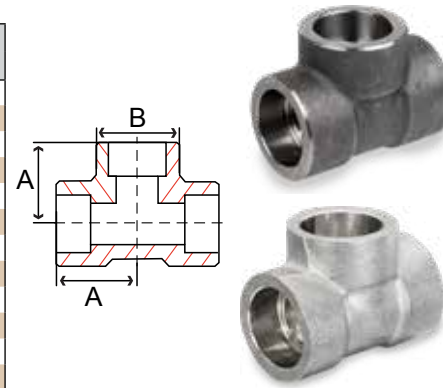


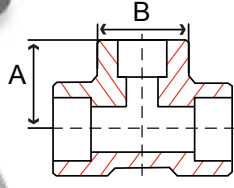
Fig. 52T 3, S5034T & S5036T – Tee

Size in	Part Number			A in	B in	Master	Weight lb
	Steel	304/304L	316/316L				
1/8	52T 3001	S5034T 001	S5036T 001	0.82	0.68	100	0.2
1/4	52T 3002	S5034T 002	S5036T 002	0.82	0.82	100	0.1
3/8	52T 3003	S5034T 003	S5036T 003	0.91	0.98	80	0.3
1/2	52T 3004	S5034T 004	S5036T 004	1.00	1.20	50	0.6
3/4	52T 3006	S5034T 006	S5036T 006	1.25	1.41	35	0.9
1	52T 3010	S5034T 010	S5036T 010	1.38	1.74	20	1.4
1-1/4	52T 3012	S5034T 012	S5036T 012	1.56	2.10	15	2.2
1-1/2	52T 3014	S5034T 014	S5036T 014	1.75	2.36	10	2.9
2	52T 3020	S5034T 020	S5036T 020	2.12	2.89	6	4.4
2-1/2	52T 3024	S5034T 024	S5036T 024	2.24	3.54	3	8.7
3	52T 3030	S5034T 030	S5036T 030	2.87	4.21	2	13.0
4	52T 3040	-	-	3.37	5.30	1	39.4



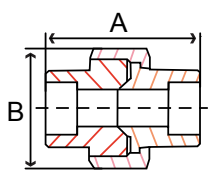
FORGED

Fig. 52RT 3, S5034RT & S5036RT – Reducing Tee



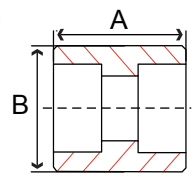
Size in	Part Number			A in	B in	Packing	Weight lb
	Steel	304/304L	316/316L				
1/2 X 1/4	52RT3004002	S5034RT004002	S5036RT004002	1.00	1.20	50	0.7
1/2 X 3/8	52RT3004003	S5034RT004003	S5036RT004003	1.00	1.20	50	0.7
3/4 X 3/8	52RT3006003	-	-	1.25	1.41	35	0.9
3/4 X 1/2	52RT3006004	S5034RT006004	S5036RT006004	1.25	1.41	35	0.9
1 X 1/4	52RT3010002	-	-	1.38	1.74	20	1.0
1 X 1/2	52RT3010004	S5034RT010004	S5036RT010004	1.38	1.74	20	1.0
1 X 3/4	52RT3010006	S5034RT010006	S5036RT010006	1.38	1.74	20	1.6
1 1/4 X 1/2	52RT3012004	-	-	1.56	2.10	15	2.6
1 1/4 X 3/4	52RT3012006	S5034RT012006	S5036RT012006	1.56	2.10	15	2.2
1 1/4 X 1	52RT3012010	S5034RT012010	S5036RT012010	1.56	2.10	15	2.2
1 1/2 X 1/2	52RT3014004	S5034RT014004	S5036RT014004	1.75	2.36	10	3.0
1 1/2 X 3/4	52RT3014006	S5034RT014006	S5036RT014006	1.75	2.36	10	3.0
1 1/2 X 1	52RT3014010	S5034RT014010	S5036RT014010	1.75	2.36	10	3.0
1 1/2 X 1 1/4	52RT3014012	S5034RT014012	S5036RT014012	1.75	2.36	10	3.0
2 X 1/2	52RT3020004	S5034RT020004	S5036RT020004	2.12	2.89	6	4.6
2 X 3/4	52RT3020006	S5034RT020006	S5036RT020006	2.12	2.89	6	4.6
2 X 1	52RT3020010	S5034RT020010	S5036RT020010	2.12	2.89	6	4.6
2 X 1 1/4	52RT3020012	S5034RT020012	S5036RT020012	2.12	2.89	6	4.6
2 X 1 1/2	52RT3020014	S5034RT020014	S5036RT020014	2.12	2.89	6	4.6
2 1/2 X 1 1/2	52RT3024014	-	-	2.24	3.54	3	8.6

Fig. 52U 3, S5034U & S5036U – Union



Size in	Part Number			A in	B in	Master	Weight lb
	Steel	304/304L	316/316L				
1/8	52U 3001	S5034U 001	S5036U 001	1.66	1.48	70	0.6
1/4	52U 3002	S5034U 002	S5036U 002	1.66	1.48	70	0.6
3/8	52U 3003	S5034U 003	S5036U 003	1.83	1.66	70	0.5
1/2	52U 3004	S5034U 004	S5036U 004	2.00	1.93	50	1.0
3/4	52U 3006	S5034U 006	S5036U 006	2.31	2.38	35	1.0
1	52U 3010	S5034U 010	S5036U 010	2.42	2.78	20	1.6
1-1/4	52U 3012	S5034U 012	S5036U 012	2.86	3.35	14	2.4
1-1/2	52U 3014	S5034U 014	S5036U 014	3.00	3.70	10	3.5
2	52U 3020	S5034U 020	S5036U 020	3.50	4.42	5	4.7
2-1/2	52U 3024	S5034U 024	S5036U 024	4.25	5.22	3	7.7
3	52U 3030	S5034U 030	S5036U 030	4.42	6.15	2	11.3

Fig. 52CP3, S5034CP & S5036CP – Coupling



Size in	Part Number			A in	B in	Master	Weight lb
	Steel	304/304L	316/316L				
1/8	52CP3001	S5034CP001	S5036CP001	1.01	0.97	350	0.1
1/4	52CP3002	S5034CP002	S5036CP002	1.01	0.87	350	0.1
3/8	52CP3003	S5034CP003	S5036CP003	1.01	1.03	250	0.1
1/2	52CP3004	S5034CP004	S5036CP004	1.14	1.27	120	0.2
3/4	52CP3006	S5034CP006	S5036CP006	1.38	1.50	80	0.3
1	52CP3010	S5034CP010	S5036CP010	1.50	1.80	50	0.6
1-1/4	52CP3012	S5034CP012	S5036CP012	1.50	2.23	30	0.9
1-1/2	52CP3014	S5034CP014	S5036CP014	1.50	2.55	25	1.3
2	52CP3020	S5034CP020	S5036CP020	2.00	2.96	15	1.8
2-1/2	52CP3024	S5034CP024	S5036CP024	2.00	3.64	10	3.0
3	52CP3030	S5034CP030	S5036CP030	2.00	4.27	6	3.9
4	52CP3040	S5034CP040	S5036CP040	2.25	5.40	4	6.2

FORGED

3000#

Fig. 52HC3, S5034HC & S5036HC – Half Coupling

Size in	Part Number			A in	B in	Master	Weight lb
	Steel	304/304L	316/316L				
1/8	-	S5034HC001	S5036HC001	1.00	0.68	400	0.2
1/4	-	S5034HC002	S5036HC002	1.00	0.86	400	0.4
3/8	-	S5034HC003	S5036HC003	1.06	1.01	300	0.6
1/2	52HC3004	S5034HC004	S5036HC004	1.26	1.27	150	0.2
3/4	52HC3006	S5034HC006	S5036HC006	1.44	1.50	80	0.4
1	52HC3010	S5034HC010	S5036HC010	1.62	1.80	50	0.6
1-1/4	52HC3012	S5034HC012	S5036HC012	1.69	2.23	30	0.7
1-1/2	52HC3014	S5034HC014	S5036HC014	1.75	2.55	25	1.4
2	52HC3020	S5034HC020	S5036HC020	2.24	2.96	15	2.4
2-1/2	52HC3024	S5034HC024	S5036HC024	2.31	3.64	10	3.5
3	52HC3030	S5034HC030	S5036HC030	2.37	4.27	6	4.6
4	52HC3040	S5034HC040	S5036HC040	2.63	5.40	4	8.1

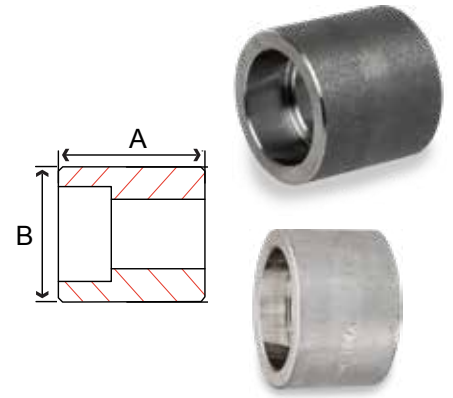
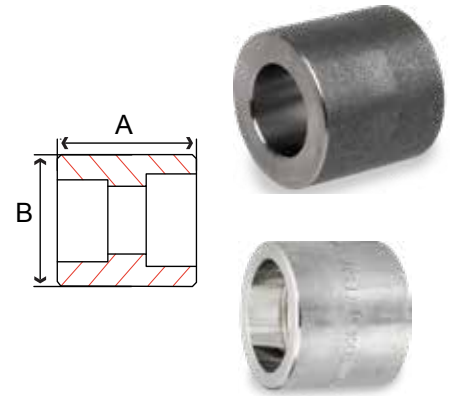


Fig. 52RC3, S5034RC & S5036RC – Reducing Coupling

Size in	Part Number			A in	B in	Master	Weight lb
	Steel	304/304L	316/316L				
1/4 x 1/8	-	S5034RC002001	S5036RC002001	0.88	0.87	350	0.1
3/8 x 1/8	-	S5034RC003001	S5036RC003001	0.88	1.03	250	0.1
3/8 x 1/4	-	S5034RC003002	S5036RC003002	0.88	1.03	250	0.1
1/2 X 1/8	-	S5034RC004001	S5036RC004001	1.14	1.27	120	0.2
1/2 x 1/4	52RC3004002	S5034RC004002	S5036RC004002	1.14	1.27	120	0.2
1/2 x 3/8	52RC3004003	S5034RC004003	S5036RC004003	1.14	1.27	120	0.2
3/4 x 1/4	52RC3006001	-	-	1.38	1.50	80	0.4
3/4 x 1/4	52RC3006002	S5034RC006002	S5036RC006002	1.38	1.50	80	0.4
3/4 x 3/8	52RC3006003	S5034RC006003	S5036RC006003	1.38	1.50	80	0.4
3/4 x 1/2	52RC3006004	S5034RC006004	S5036RC006004	1.38	1.50	80	0.4
1 x 1/4	52RC3010002	S5034RC010002	S5036RC010002	1.50	1.80	50	0.5
1 x 3/8	52RC3010003	S5034RC010003	S5036RC010003	1.50	1.80	50	0.5
1 x 1/2	52RC3010004	S5034RC010004	S5036RC010004	1.50	1.80	50	0.5
1 x 3/4	52RC3010006	S5034RC010006	S5036RC010006	1.50	1.80	50	0.5
1-1/4 x 1/2	52RC3012004	S5034RC012004	S5036RC012004	1.50	2.23	30	1.0
1-1/4 x 3/4	52RC3012006	S5034RC012006	S5036RC012006	1.50	2.23	30	1.1
1-1/4 x 1	52RC3012010	S5034RC012010	S5036RC012010	1.50	2.23	30	1.0
1-1/2 x 3/8	52RC3014003	S5034RC014003	S5036RC014003	1.50	2.55	25	2.0
1-1/2 x 1/2	52RC3014004	S5034RC014004	S5036RC014004	1.50	2.55	25	1.3
1-1/2 x 3/4	52RC3014006	S5034RC014006	S5036RC014006	1.50	2.55	25	1.3
1-1/2 x 1	52RC3014010	S5034RC014010	S5036RC014010	1.50	2.55	25	1.6
1-1/2 x 1-1/4	52RC3014012	S5034RC014012	S5036RC014012	1.50	2.55	25	1.3
2 x 1/2	52RC3020004	S5034RC020004	S5036RC020004	2.00	2.96	15	2.6
2 x 3/4	52RC3020006	S5034RC020006	S5036RC020006	2.00	2.96	15	2.3
2 x 1	52RC3020010	S5034RC020010	S5036RC020010	2.00	2.96	15	2.1
2 x 1-1/4	52RC3020012	S5034RC020012	S5036RC020012	2.00	2.96	15	2.1
2 x 1-1/2	52RC3020014	S5034RC020014	S5036RC020014	2.00	2.96	15	2.6
2-1/2 x 1/2	52RC3024004	-	-	2.00	3.64	10	4.2
2-1/2 x 3/4	52RC3024006	-	-	2.00	3.64	10	3.5
2-1/2 x 1	52RC3024010	-	-	2.00	3.64	10	3.1
2-1/2 x 1-1/4	52RC3024012	-	-	2.00	3.64	10	3.1
2-1/2 x 1-1/2	52RC3024014	-	-	2.00	3.64	10	3.1
2-1/2 x 2	52RC3024020	S5034RC024020	S5036RC024020	2.00	3.64	10	3.1
3 x 1	52RC3030010	-	-	2.00	4.27	6	4.1
3 x 1-1/4	52RC3030012	-	-	2.00	4.27	6	4.4
3 x 1-1/2	52RC3030014	S5034RC030014	S5036RC030014	2.00	4.27	6	4.1
3 x 2	52RC3030020	S5034RC030020	S5036RC030020	2.00	4.27	6	4.1
3 x 2-1/2	52RC3030024	-	-	2.00	4.27	6	4.1
4 x 1-1/2	52RC3040014	-	-	2.25	5.40	4	6.0
4 x 2	52RC3040020	-	-	2.25	5.40	4	5.9
4 x 2-1/2	52RC3040024	-	-	2.25	5.40	4	5.8
4 x 3	52RC3040030	-	-	2.25	5.40	4	5.7



FORGED

Fig. 52IN3, S5034IN & S5036IN – Insert Fitting

Size in	Part Number			A in	B in	Type	Master	Weight lb
	Steel	304/304L	316/316L					
1/4 x 1/8	-	S5034IN002001	S5036IN002001	1.26	0.87	1	300	.04
3/8 x 1/4	-	S5034IN003002	S5036IN003002	1.18	0.88	1	300	.11
1/2 x 1/4	52IN3004002	S5034IN004002	S5036IN004002	1.28	0.88	1	150	0.2
1/2 x 3/8	52IN3004003	S5034IN004003	S5036IN004003	1.28	1.02	1	150	0.2
3/4 x 1/4	52IN3006002	S5034IN006002	S5036IN006002	1.15	1.06	1	100	0.3
3/4 x 3/8	52IN3006003	S5034IN006003	S5036IN006003	1.15	1.06	2	100	0.3
3/4 x 1/2	52IN3006004	S5034IN006004	S5036IN006004	1.39	1.26	2	100	0.3
1 x 1/4	52IN3010002	S5034IN010002	S5036IN010002	1.19	1.34	2	80	0.5
1 x 3/8	52IN3010003	S5034IN010003	S5036IN010003	1.19	1.34	2	80	0.5
1 x 1/2	52IN3010004	S5034IN010004	S5036IN010004	1.19	1.34	2	80	0.3
1 x 3/4	52IN3010006	S5034IN010006	S5036IN010006	1.55	1.50	1	80	0.5
1-1/4 x 1/2	52IN3012004	S5034IN012004	S5036IN012004	1.30	1.65	2	70	0.9
1-1/4 x 3/4	52IN3012006	S5034IN012006	S5036IN012006	1.30	1.65	2	70	0.9
1-1/4 x 1	52IN3012010	S5034IN012010	S5036IN012010	1.62	1.81	1	70	0.9
1-1/2 x 3/8	52IN3014003	S5034IN014003	S5036IN014003	1.35	1.89	2	50	1.2
1-1/2 x 1/2	52IN3014004	S5034IN014004	S5036IN014004	1.35	1.89	2	50	0.9
1-1/2 x 3/4	52IN3014006	S5034IN014006	S5036IN014006	1.35	1.89	2	50	1.2
1-1/2 x 1	52IN3014010	S5034IN014010	S5036IN014010	1.35	1.89	2	50	0.6
1-1/2 x 1-1/4	52IN3014012	S5034IN014012	S5036IN014012	1.82	2.25	1	50	1.2
2 x 3/8	-	S5034IN020003	S5036IN020003	1.53	2.36	2	25	1.9
2 x 1/2	52IN3020004	S5034IN020004	S5036IN020004	1.53	2.36	2	25	1.9
2 x 3/4	52IN3020006	S5034IN020006	S5036IN020006	1.53	2.36	2	25	1.9
2 x 1	52IN3020010	S5034IN020010	S5036IN020010	1.53	2.36	2	25	1.9
2 x 1-1/4	52IN3020012	S5034IN020012	S5036IN020012	1.53	2.36	2	25	1.9
2 x 1-1/2	52IN3020014	S5034IN020014	S5036IN020014	2.00	2.50	1	25	1.9
2-1/2 x 1/2	52IN3024004	S5034IN024004	S5036IN024004	2.15	2.87	2	12	2.6
2-1/2 x 3/4	52IN3024006	S5034IN024006	S5036IN024006	2.15	2.87	2	12	2.6
2-1/2 x 1	52IN3024010	S5034IN024010	S5036IN024010	2.15	2.87	2	12	2.6
2-1/2 x 1-1/4	52IN3024012	S5034IN024012	S5036IN024012	2.15	2.87	2	12	2.6
2-1/2 x 1-1/2	52IN3024014	S5034IN024014	S5036IN024014	2.15	2.87	2	12	2.6
2-1/2 x 2	52IN3024020	S5034IN024020	S5036IN024020	2.73	2.96	1	12	2.6
3 x 1	52IN3030010	S5034IN030010	S5036IN030010	1.92	3.50	2	10	3.9
3 x 1-1/4	52IN3030012	S5034IN030012	S5036IN030012	1.92	3.50	2	10	3.9
3 x 1-1/2	52IN3030014	S5034IN030014	S5036IN030014	1.92	3.50	2	10	4.1
3 x 2	52IN3030020	S5034IN030020	S5036IN030020	1.92	3.50	2	10	4.1
3 x 2-1/2	-	S5034IN030024	S5036IN030024	2.42	3.62	2	10	3.9
4 x 2-1/2	52IN3040024	-	-	2.42	4.50	2	4	5.8

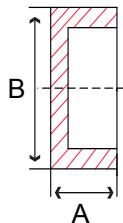
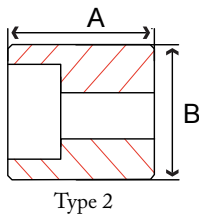
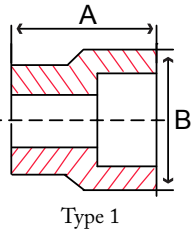


Fig. 52C 3, S5034C & S5036C – Cap

Size in	Part Number			A in	B in	Master	Weight lb
	Steel	304/304L	316/316L				
1/8	-	S5034C 001	S5036C 001	0.56	0.70	300	0.08
1/4	52C 3002	S5034C 002	S5036C 002	0.71	0.87	300	0.1
3/8	52C 3003	S5034C 003	S5036C 003	0.77	1.03	250	0.1
1/2	52C 3004	S5034C 004	S5036C 004	0.90	1.27	130	0.2
3/4	52C 3006	S5034C 006	S5036C 006	1.02	1.50	80	0.3
1	52C 3010	S5034C 010	S5036C 010	1.07	1.80	50	0.5
1-1/4	52C 3012	S5034C 012	S5036C 012	1.22	2.23	30	0.9
1-1/2	52C 3014	S5034C 014	S5036C 014	1.29	2.55	25	1.3
2	52C 3020	S5034C 020	S5036C 020	1.53	2.96	15	2.1
2-1/2	52C 3024	S5034C 024	S5036C 024	1.65	3.64	10	3.1
3	52C 3030	S5034C 030	S5036C 030	1.77	4.27	5	6.0
4	52C 3040	S5034C 040	S5036C 040	1.91	5.40	3	9.3

FORGED

6000#

Fig. 42E 6 – 90° Elbow

Size in	Part Number	A in	B in	Master	Weight lb
1/2	42E 6004	1.50	1.81	25	1.7
3/4	42E 6006	1.75	2.19	20	2.8
1	42E 6010	2.00	2.44	12	3.5
1-1/4	42E 6012	2.38	2.97	5	6.4
1-1/2	42E 6014	2.50	3.31	4	8.3
2	42E 6020	3.25	4.00	2	16.1
3	42E 6030	4.13	5.69	-	36.2

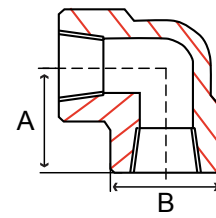


Fig. 42F 6 – 45° Elbow

Size in	Part Number	A in	B in	Master	Weight lb
1/2	42F 6004	1.12	1.81	25	1.3
3/4	42F 6006	1.31	2.19	20	2.3
1	42F 6010	1.38	2.44	12	2.7
1-1/4	42F 6012	1.69	2.97	5	4.9
1-1/2	42F 6014	1.72	3.31	4	5.5
2	42F 6020	2.06	4.00	2	9.6
2-1/2	42F 6024	2.50	4.72	-	15.4

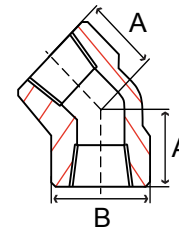


Fig. 42T 6 – Tee

Size in	Part Number	A in	B in	Master	Weight lb
1/2	42T 6004	1.50	1.81	20	2.1
3/4	42T 6006	1.75	2.19	12	3.6
1	42T 6010	2.00	2.44	10	4.7
1-1/4	42T 6012	2.38	2.97	2	7.6
1-1/2	42T 6014	2.50	3.31	2	10.3
2	42T 6020	3.25	4.00	2	17.3
2-1/2	42T 6024	3.71	4.72	1	28.8
3	42T 6030	4.13	5.70	1	49.5

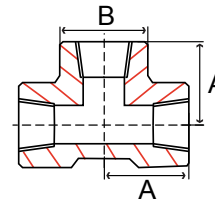


Fig. 42X 6 – Cross

Size in	Part Number	A in	B in	Master	Weight lb
1/2	42X 6004	1.50	1.81	20	2.2
3/4	42X 6006	1.75	2.19	12	3.6
1	42X 6010	2.00	2.44	6	3.8
1-1/4	42X 6012	2.38	2.97	4	8.8
2	42X 6020	3.25	4.00	1	19.8

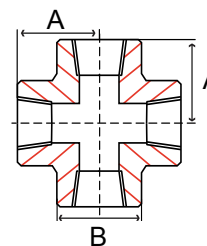
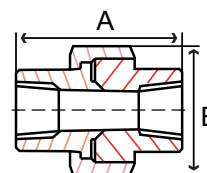


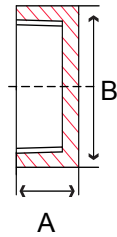
Fig. 42U 6 – Union

Size in	Part Number	A in	B in	Master	Weight lb
1-1/2	42U 6014	3.50	4.42	6	4.89
2	42U 6020	4.12	5.23	2	8.37



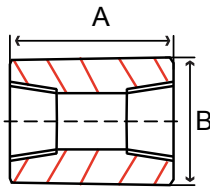
FORGED

Fig. 42C 6 – Cap



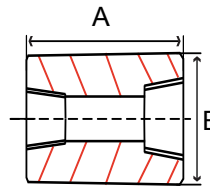
Size in	Part Number	A in	B in	Master	Weight lb
1/4	42C 6002	1.06	1.00	200	0.13
3/8	42C 6003	1.06	1.25	150	0.19
1/2	42C 6004	1.31	1.50	80	0.57
3/4	42C 6006	1.50	1.75	50	0.88
1	42C 6010	1.69	2.25	35	1.56
1-1/4	42C 6012	1.81	2.50	20	1.30
1-1/2	42C 6014	1.88	3.00	15	1.69
2	42C 6020	2.00	3.62	8	4.91

Fig. 42CP6 – Coupling



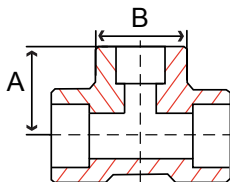
Size in	Part Number	A in	B in	Master	Weight lb
1/4	42CP6002	1.38	1.00	200	0.28
3/8	42CP6003	1.50	1.25	100	0.28
1/2	42CP6004	1.88	1.50	80	0.74
3/4	42CP6006	2.00	1.75	35	1.10
1	42CP6010	2.38	2.25	20	1.91
1-1/4	42CP6012	2.62	2.50	15	2.40
1-1/2	42CP6014	3.12	3.00	10	4.27
2	42CP6020	3.38	3.62	5	6.32

Fig. 42RC6 – Reducing Coupling



Size in	Part Number	A in	B in	Master	Weight lb
1-1/2 x 1/2	42RC6014004	3.12	3.00	10	2.64
1-1/2 x 3/4	42RC6014006	3.12	3.00	10	4.12
1-1/2 x 1	42RC6014010	3.12	3.00	10	2.18
2 x 1/2	42RC6020004	3.38	3.62	5	9.25
2 x 1	42RC6020010	3.38	3.62	5	7.49
2 x 1-1/2	42RC6020014	3.38	3.62	5	7.49

Fig. 52RT 6 – Reducing Tee



Size in	Part Number			A in	B in	Packing	Weight lb
	Steel	304/304L	316/316L				
1/2 X 3/8	52RT6004003	-	-	1.50	1.81	35	1.3
3/4 X 1/2	52RT6006004	-	-	1.75	2.19	20	2.0
1 X 1/2	52RT6010004	-	-	2.00	2.44	15	4.8
1 X 3/4	52RT6010006	-	-	2.00	2.44	15	3.5
1 1/2 X 1/2	52RT6014004	-	-	2.50	3.31	5	7.2
1 1/2 X 1 1/4	52RT6014012	-	-	2.50	3.31	5	9.7
2 X 3/4	52RT6020006	-	-	3.25	4.00	4	9.7
2 X 1 1/4	52RT6020012	-	-	3.25	4.00	4	3.7
2 X 1 1/2	52RT6020014	-	-	3.25	4.00	4	7.2

6000#

Fig. 52E 6 – 90° Elbow

Size in	Part Number	A in	B in	Master	Weight lb
1/2	52E 6004	1.13	1.33	50	0.8
3/4	52E 6006	1.38	1.62	25	1.6
1	52E 6010	1.56	1.96	20	2.5
1-1/4	52E 6012	1.75	2.31	15	3.2
1-1/2	52E 6014	2.00	2.62	6	6.1
2	52E 6020	2.24	3.27	5	7.2

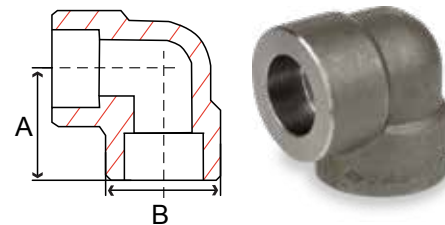


Fig. 52F 6 – 45° Elbow

Size in	Part Number	A in	B in	Master	Weight lb
1/2	52F 6004	0.88	1.33	50	0.7
3/4	52F 6006	1.06	1.62	30	1.2
1	52F 6010	1.19	1.96	20	2.0
1-1/4	52F 6012	1.31	2.31	15	2.4
1-1/2	52F 6014	1.50	2.62	8	4.4
2	52F 6020	1.74	3.27	6	4.6

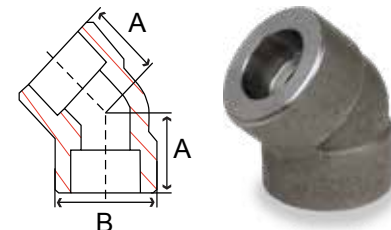


Fig. 52T 6 – Tee

Size in	Part Number	A in	B in	Master	Weight lb
1/2	52T 6004	1.13	1.33	35	1.2
3/4	52T 6006	1.38	1.62	20	2.0
1	52T 6010	1.56	1.96	15	4.7
1-1/4	52T 6012	1.75	2.31	10	4.2
1-1/2	52T 6014	2.00	2.62	5	7.4
2	52T 6020	2.24	3.27	4	8.7

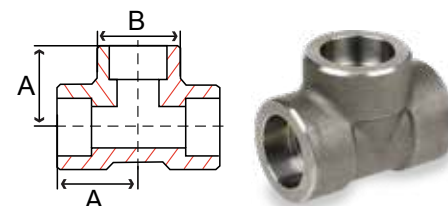


Fig. 52X 6 – Cross

Size in	Part Number	A in	B in	Master	Weight lb
1/2	52X 6004	1.13	1.33	30	1.6
3/4	52X 6006	1.38	1.62	20	2.3
1	52X 6010	1.56	1.96	12	3.9
1-1/2	52X 6014	2.00	2.62	4	8.3
2	52X 6020	2.24	3.27	2	15.8

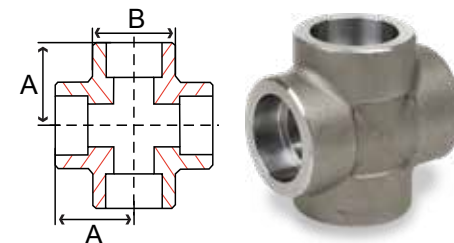


Fig. 52C 6 – Cap

Size in	Part Number	A in	B in	Master	Weight lb
1/2	52C 6004	0.81	1.33	80	0.3
3/4	52C 6006	0.81	1.62	50	0.5
1	52C 6010	0.94	1.96	35	0.7
1-1/4	52C 6012	0.94	2.31	25	1.4
1-1/2	52C 6014	1.00	2.62	15	2.0
2	52C 6020	1.19	3.27	8	3.6

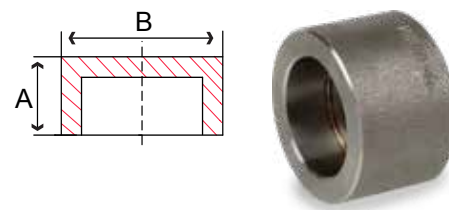


Fig. 52U 6 – Union

Size in	Part Number	A in	B in	Master	Weight lb
1/2	52U 6004	2.25	2.38	30	1.0
3/4	52U 6006	2.44	2.75	20	1.0
1	52U 6010	2.88	3.25	10	1.5
1-1/4	52U 6012	3.00	3.50	8	6.5
1-1/2	52U 6014	3.38	4.25	6	4.8
2	52U 6020	4.06	5.12	2	4.8

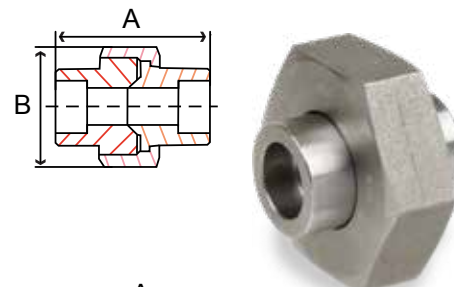
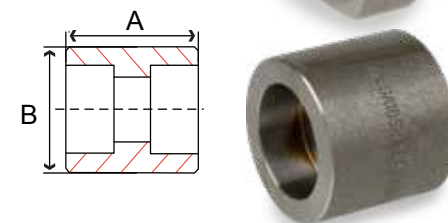


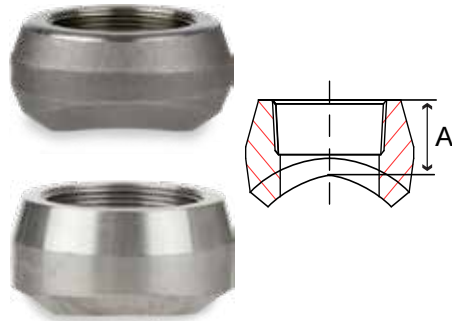
Fig. 52CP6 – Coupling

Size in	Part Number	A in	B in	Master	Weight lb
1/2	52CP6004	1.14	1.33	30	0.5
3/4	52CP6006	1.38	1.62	20	0.5
1	52CP6010	1.50	1.96	10	0.9
1-1/4	52CP6012	1.50	2.31	8	1.3
1-1/2	52CP6014	1.50	2.62	6	2.4
2	52CP6020	2.00	3.27	2	3.5



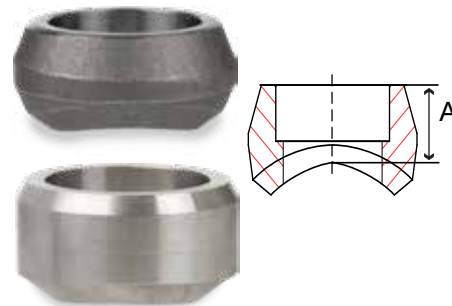
FORGED

Fig. 43T03, S4534T0 & S4536T0 – Threaded Outlet



Size in	Part Number			A in	Master	Weight lb
	Steel	304 / 304L	316 / 316L			
1/4 x 3/8 thru 36	43TO3002003360	S4534TO002	S4536TO002	0.75	200	.02
3/8 x 1/2 thru 36	-	S4534TO003	S4536TO003	0.75	150	.02
1/2 x 3/4 thru 36	43TO3004006360	S4534TO004	S4536TO004	1.00	150	0.2
3/4 x 1 thru 1-1/4	43TO3006010012	-	-	1.06	100	0.2
3/4 x 1-1/2 thru 36	43TO3006014360	S4534TO006	S4536TO006	1.06	100	0.2
1 x 1-1/4 thru 2-1/2	43TO3010012024	-	-	1.31	50	0.5
1 x 3 thru 36	43TO3010030360	S4534TO010	S4536TO010	1.31	50	0.5
1-1/4 x 1-1/2	43TO3012010004	-	-	1.31	40	0.8
1-1/4 x 2 thru 3-1/2	43TO3012020034	-	-	1.31	40	0.8
1-1/4 x 4 thru 36	43TO3012040360	S4534TO012	S4536TO012	1.31	40	0.8
1-1/2 x 2 thru 2-1/2	43TO3014020024	-	-	1.38	25	1.0
1-1/2 x 3 thru 5	43TO3014030050	-	-	1.38	25	1.0
1-1/2 x 6 thru 36	43TO3014060360	S4534TO014	S4536TO014	1.38	25	1.0
2 x 2-1/2 thru 3-1/2	43TO3020024034	-	-	1.50	10	1.7
2 x 4 thru 6	43TO3020040060	-	-	1.50	15	1.7
2 x 8 thru 36	43TO3020080360	S4534TO020	S4536TO020	1.50	15	1.7
2-1/2 x 3 thru 3-1/2	43TO3024030034	-	-	1.81	10	2.5
2-1/2 x 4 thru 5	43TO3024040050	-	-	1.81	10	2.5
2-1/2 x 6 thru 8	43TO3024060080	-	-	1.81	10	2.5
2-1/2 x 10 thru 36	43TO3024100360	S4534TO024	S4536TO024	1.81	10	2.5
3 x 3-1/2 thru 4	43TO3030034040	-	-	2.00	6	4.0
3 x 5 thru 6	43TO3030050060	-	-	2.00	6	4.0
3 x 8 thru 14	43TO3030080140	-	-	2.00	6	4.0
3 x 16 thru 36	43TO3030160360	S4534TO030	S4536TO030	2.00	6	4.0
4 x 5 thru 6	43TO3040050060	-	-	2.25	3	6.3
4 x 8 thru 10	43TO3040080100	-	-	2.25	3	6.3
4 x 12 thru 20	43TO3040120200	-	-	2.25	3	6.3
4 x 22 thru 36	43TO3040220360	-	-	2.25	3	6.3

Fig. 43S03, S4534S0 & S4536S0 – Socket Weld Outlet



Size in	Part Number			A in	Master	Weight lb
	Steel	304 / L	316 / L			
1/4 x 3/8 thru 36	-	S4534SO002	S4536SO002	0.81	200	0.1
3/8 x 1/2 thru 36	-	S4534SO003	S4536SO003	1.00	150	0.2
1/2 x 3/4 thru 36	43SO3004006360	S4534SO004	S4536SO004	1.01	150	0.2
3/4 x 1 thru 1-1/4	43SO3006010012	-	-	1.13	100	0.2
3/4 x 1-1/2 thru 36	43SO3006014360	S4534SO006	S4536SO006	1.13	100	0.2
1 x 1-1/4 thru 2-1/2	43SO3010012024	-	-	1.38	50	0.5
1 x 3 thru 36	43SO3010030360	S4534SO010	S4536SO010	1.38	50	0.5
1-1/4 x 1-1/2	43SO3012010004	-	-	1.38	40	0.8
1-1/4 x 2 thru 3-1/2	43SO3012020034	-	-	1.38	40	0.8
1-1/4 x 4 thru 36	43SO3012040360	S4534SO012	S4536SO012	1.38	40	0.8
1-1/2 x 2 thru 2-1/2	43SO3014020024	-	-	1.44	25	1.0
1-1/2 x 3 thru 5	43SO3014030050	-	-	1.44	25	1.0
1-1/2 x 6 thru 36	43SO3014060360	S4534SO014	S4536SO014	1.44	25	1.0
2 x 2-1/2 thru 3-1/2	43SO3020024034	-	-	1.56	10	1.7
2 x 4 thru 6	43SO3020040060	-	-	1.56	15	1.7
2 x 8 thru 36	43SO3020080360	S4534SO020	S4536SO020	1.56	15	1.7
2-1/2 x 3 thru 3-1/2	43SO3024030034	-	-	1.62	10	2.5
2-1/2 x 4 thru 5	43SO3024040050	-	-	1.62	10	2.5
2-1/2 x 6 thru 8	43SO3024060080	-	-	1.62	10	2.5
2-1/2 x 10 thru 36	43SO3024100360	S4534SO024	S4536SO024	1.62	10	2.5
3 x 3-1/2 thru 4	43SO3030034040	-	-	1.81	6	4.0
3 x 5 thru 6	43SO3030050060	-	-	1.81	6	4.0
3 x 8 thru 14	43SO3030080140	-	-	1.81	6	4.0
3 x 16 thru 36	43SO3030160360	S4534SO030	S4536SO030	1.81	6	4.0
4 x 5 thru 6	43SO3040050060	-	-	1.94	1	6.3
4 x 8 thru 10	43SO3040080100	-	-	1.94	1	6.3
4 x 12 thru 20	43SO3040120200	-	-	1.94	1	6.3
4 x 22 thru 36	43SO3040220360	-	-	1.94	1	6.3

Fig. S4534W04 & S4536W04 3000# Butt Weld Outlet Sch 40 Bore

Size in	Part Number		A in	Master	Weight lb
	304 / 304L	316 / 316L			
1/4 x 3/8 thru 36	S4534WO4002	S4536WO4002	0.62	200	0.8
3/8 x 1/2 thru 36	S4534WO4003	S4536WO4003	0.75	150	0.1
1/2 x 3/4 thru 36	S4534WO4004	S4536WO4004	0.75	150	0.1
3/4 x 1 thru 36	S4534WO4006	S4536WO4006	0.88	100	0.2
1 x 2 thru 36	S4534WO4010	S4536WO4010	1.06	50	0.5
1-1/4 x 3 1/2 thru 36	S4534WO4012	S4536WO4012	1.25	40	0.8
1-1/2 x 5 thru 36	S4534WO4014	S4536WO4014	1.31	25	1.0
2 x 8 thru 36	S4534WO4020	S4536WO4020	1.50	15	1.7
2-1/2 x 10 thru 36	S4534WO4024	S4536WO4024	1.62	10	2.5
3 x 8 thru 36	S4534WO4030	S4536WO4030	1.75	6	3.8

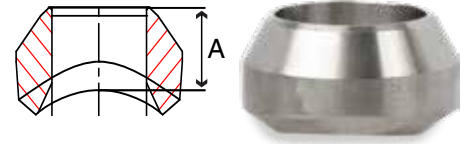
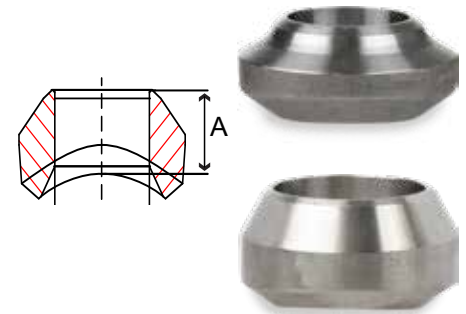


Fig. 43W03, S4534W08 & S4636W08 3000# Butt Weld Outlet Sch 80 Bore

Size in	Steel	Part Number		A in	Master	Weight lb
		304 / 304L	316 / 316L			
1/4 x 3/8 thru 36	-	S4534WO8002	S4536WO8002	0.62	200	0.8
3/8 x 1/2 thru 36	-	S4534WO8003	S4536WO8003	0.75	150	0.1
1/2 x 1	43WO3004010	-	-	0.75	150	0.3
1/2 x 1-1/4 thru 36	43WO3004012360	S4534WO8004	S4536WO8004	0.75	150	0.3
3/4 x 1 thru 2	43WO3006010020	-	-	0.88	100	0.3
3/4 x 2-1/2 thru 36	43WO3006024360	S4534WO8006	S4536WO8006	0.88	100	0.3
1 x 1-1/4 thru 1-1/2	43WO3010012014	-	-	1.06	50	0.6
1 x 2 thru 36	43WO3010020360	S4534WO8010	S4536WO8010	1.06	50	0.6
1-1/4 x 1-1/2 thru 2	43WO3012014020	-	-	1.25	40	0.9
1-1/4 x 2-1/2 thru 6	43WO3012024060	-	-	1.25	40	0.9
1-1/4 x 8 thru 36	43WO3012080360	S4534WO8012	S4536WO8012	1.25	40	0.9
1-1/2 x 2 thru 3-1/2	43WO3014020034	-	-	1.31	25	1.4
1-1/2 x 4 thru 36	43WO3014040360	S4534WO8014	S4536WO8014	1.31	25	1.4
2 x 2-1/2 thru 3	43WO3020024030	-	-	1.50	15	2.3
2 x 3-1/2 thru 6	43WO3020034060	-	-	1.50	15	2.3
2 x 8 thru 36	43WO3020080360	S4534WO8020	S4536WO8020	1.50	15	2.3
2-1/2 x 5 thru 10	43WO3024050100	-	-	1.62	10	2.9
2-1/2 x 12 thru 36	43WO3024120360	S4534WO8024	S4536WO8024	1.62	10	2.3
3 x 5 thru 6	43WO3030050060	-	-	1.75	6	4.3
3 x 8 thru 14	43WO3030080140	-	-	1.75	6	4.3
3 x 16 thru 36	43WO3030160360	S4534WO8030	S4536WO8030	1.75	6	4.3
4 x 8 thru 10	43WO3040080100	-	-	2.00	3	7.1
4 x 12 thru 20	43WO3040120200	-	-	2.00	3	7.1
4 x 22 thru 36	43WO3040220360	-	-	2.00	3	7.1



SCI ProPak™ System

FORGED