



The new degree of comfort.®

PROJECT NAME _____

LOCATION _____

ARCHITECT _____

ENGINEER _____

CONTRACTOR _____

SUBMITTED BY _____ DATE _____

UNIT SUMMARY

Quantity						
Unit Designation						
Model No.						
Total Cooling						
Sensible Cooling						
Air Ent. Evaporator						
Air Lvg. Evaporator						
Heating Input						
Heating Output						
CFM/ESP						
EER/SEER						
Electrical						
Minimum Ampacity						
Min.-Max. Breaker						
Net Unit Weight						
Accessory						
Catalog Form Number						

ACCESSORIES:

NOTES:

Endeavor® Line (-)P14AY iC Heat Pumps
Heating Efficiencies up to: 7.8 HSPF2
Cooling Efficiencies up to: 15.2 SEER2/11.7 EER2
Nominal Sizes: 1.5 to 5 Ton [5.28 to 17.6 kW]
Cooling Capacities: 17.1 to 55.5 kBTU [5.0 to 16.3 kW]
Refrigerant Type: R-454B

JOB NAME _____ LOCATION _____
 CONTRACTOR _____ ORDER NO. _____
 ENGINEER _____ UNIT MODEL NO. _____
 SUBMITTED FOR APPROVAL RECORD COIL MODEL NO. _____
 DATE _____ AIR HANDLER MODEL NO. _____

UNIT DATA

COOLING PERFORMANCE

EFFICIENCY SEER
 TOTAL CAPACITY* MBH [kW]
 SENSIBLE CAPACITY* MBH [kW]
 OUTDOOR DESIGN TEMP..... °F [°C] DB
 TEMP. OF AIR ENTERING
 EVAPORATOR COIL °F [°C] DB
 °F [°C] WB
 POWER INPUT REQUIREMENT kW
 (*uses blower motor heat)

HEATING PERFORMANCE

EFFICIENCY HSPF
 TOTAL CAPACITY* MBH [kW]
 OUTDOOR DESIGN TEMP..... °F [°C] DB
 TEMP. OF AIR ENTERING
 EVAPORATOR COIL °F [°C] DB

SUPPLY AIR BLOWER PERFORMANCE

TOTAL AIR SUPPLY..... CFM [L/s]
 TOTAL RESISTANCE EXTERNAL
 TO UNIT IWG
 BLOWER SPEED..... RPM
 POWER OUTPUT REQUIREMENT BHP
 MOTOR RATING HP [W]
 POWER INPUT REQUIREMENT kW

ELECTRICAL DATA

POWER SUPPLY Hz
 TOTAL UNIT AMPACITY..... AMPS
 MINIMUM WIRE SIZE AWG
 MAXIMUM OVERCURRENT DEVICE
 FUSES/HACR BREAKER AMPS

CLEARANCES

ACCESS SIDE 24" [609.6 mm]
 AIR INLETS 12" [304.8 mm]
 ABOVE UNIT 60" [1524 mm]

FEATURES

- **Fully Louvered Steel Cabinet:** Features durable construction to add protection from yard hazards and weather corrosion
- **Two-Stage Scroll Compressor¹:** Features two speeds (high and low) of cooling and heating, providing more precise temperature control, lower humidity and greater efficiency when compared to single stage compressors
- **Inverted Reversing Valve:** Allows for faster heat transfer with gravity assist shifting and reduced joint stress for increased reliability
- **Expanded Valve Space:** Provides a minimum working area of 27-square inches for easier access
- **Designing for Sustainability with Low GWP:** For 2025, the Environmental Protection Agency (EPA) has set a global warming potential (GWP) limit of 700 for refrigerant used in heating and cooling systems. This new requirement will result in a 78%² lower GWP than previous-generation refrigerants — with only minimal changes to system installation. For us, this is another step toward our continued sustainability goal of reducing greenhouse gas emissions, while still delivering an exceptional level of energy efficient, dependable comfort
- **PlusOne® Refrigerant Detection System^{TM3}:** An integrated one-box, patented design featuring the A2L sensor and mitigation board, offering easier commissioning with a single component and simplified wiring configuration, compatibility with any 24V thermostat application and system protection by automatically pausing outdoor unit operation — if excess refrigerant is detected

ACCESSORIES/OPTIONS

- Compressor Crankcase Heater
 Low Ambient Control (Model No. RXAD-A08).....
 Compressor Sound Cover.....
 Compressor Hard Start Kit
 Low Pressure Control
 High Pressure Control.....
 Classic Top Cap w/Label (90-101123-21)
 Liquid Line Solenoid (24 VAC, 50/60 Hz)
 Liquid Line Solenoid (120/240 VAC, 50/60 Hz)

¹Does not apply to the 1.5 ton 1-stage model

²When comparing the GWP of A2L refrigerants to A1 or R-410A refrigerant

³Factory or field installed in the furnace coil or air handler and is applicable to the complete heating and cooling system featuring Low GWP Refrigerant (A2L)



**Proper sizing and installation of equipment is critical to achieve optimal performance. Split system air conditioners and heat pumps must be matched with appropriate coil components to meet ENERGY STAR®. Ask your Contractor for details or visit www.energystar.gov.*

(-)P14AY

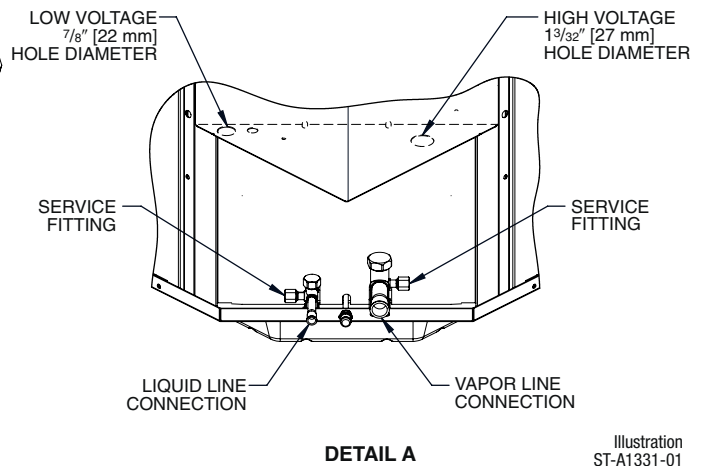
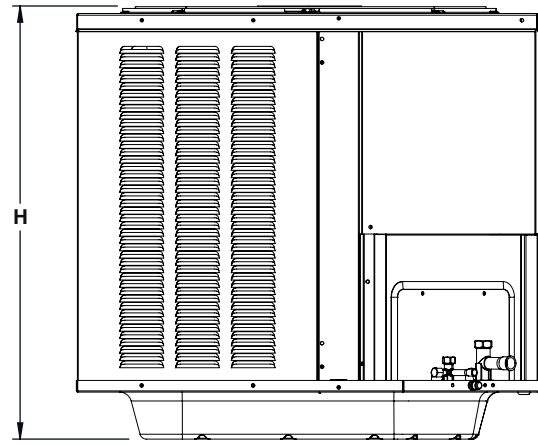
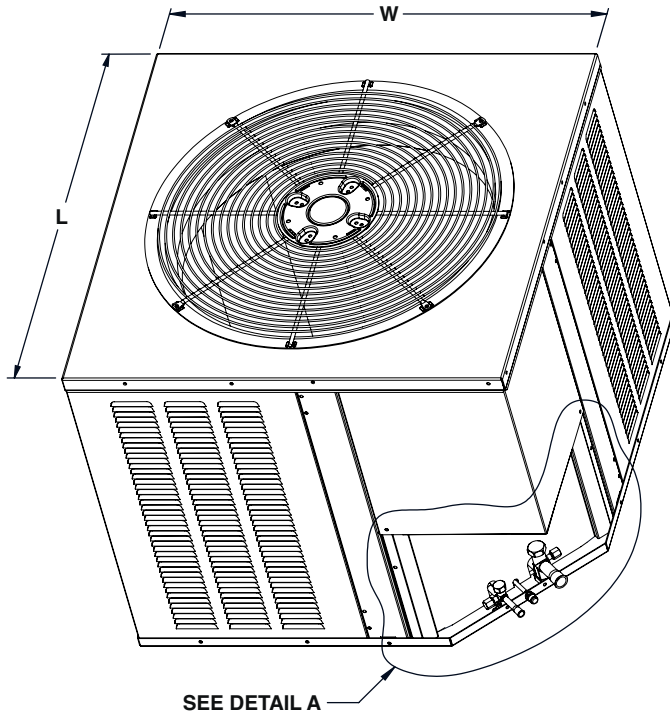


Illustration
ST-A1331-01

NOTE: Illustrations show the deep drawn basepan.

[] Designates Metric Conversions

Unit Dimensions

MODEL NO.	OPERATING						SHIPPING					
	H (Height)		L (Length)		W (Width)		H (Height)		L (Length)		W (Width)	
	INCHES	mm	INCHES	mm	INCHES	mm	INCHES	mm	INCHES	mm	INCHES	mm
(-)P14AY18**1	25.17	639	29.543	750	29.543	750	27.06	687	32.625	829	32.625	829
(-)P14AY24	25.17	639	29.543	750	29.543	750	27.06	687	32.625	829	32.625	829
(-)P14AY30	27.17	690	33.655	855	33.655	855	29.06	738	36.625	930	36.625	930
(-)P14AY36	35.17	893	33.655	855	33.655	855	37.06	941	36.625	930	36.625	930
(-)P14AY42	35.17	893	33.655	855	33.655	855	37.06	941	36.625	930	36.625	930
(-)P14AY48	35.17	893	33.655	855	33.655	855	37.06	941	36.625	930	36.625	930
(-)P14AY60	39.17	995	35.543	903	35.543	903	41.06	1043	38.625	981	38.625	981

Before proceeding with installation, refer to installation instructions packaged with each model, as well as complying with all Federal, State, Provincial, and Local codes, regulations, and practices.

5600 Old Greenwood Road
Fort Smith, Arkansas 72908

Friedrich trademarks are owned by Friedrich Air Conditioning LLC.
Rheem and other trademarks are owned by Rheem Manufacturing Company.

In keeping with its policy of continuous progress and product improvement, Rheem reserves the right to make changes without notice.