



The new degree of comfort.™

Rheem Classic® Series Heat Pump



RP14**F Series

Efficiencies: 14-15 SEER/11.5-12.5 EER
Nominal Sizes 1½ to 5 Ton [5.28 to 17.6 kW]
Cooling Capacities 17.3 to 60.5 kBTU
[5.7 to 17.7 kW]



"Proper sizing and installation of equipment is critical to achieve optimal performance. Split system air conditioners and heat pumps must be matched with appropriate coil components to meet Energy Star. Ask your Contractor for details or visit www.energystar.gov."

- The RP14**F series is designed to achieve 14 SEER with Coil only (for the dual fuel market) and PSC Air Handlers match ups.
- New composite base pan – dampens sound, captures louver panels, eliminates corrosion and reduces number of fasteners needed
- Improved tubing design – reduces vibration and stress, making unit quieter and reducing opportunity for leaks
- Optimized defrost characteristics - decrease defrosting and provide better home comfort
- Powder coat paint system – for a long lasting professional finish
- Optimized reversing valve sizing – improves shifting performance for quieter unit operation and increased life of the system
- Enhanced mufflers – help to dissipate vibration energy for quieter unit operation
- Scroll compressor – a sound abating feature added to the compressor significantly reduces noise when system transitions in and out of defrost mode
- Modern cabinet aesthetics – increased curb appeal with visually appealing design
- Curved louver panels – provide ultimate coil protection, enhance cabinet strength, and increased cabinet rigidity
- Optimized fan orifice – optimizes airflow and reduces unit sound
- Rust resistant screws – confirmed through 1500-hour salt spray testing
- PlusOne™ **Expanded Valve Space** – 3"-4"-5" service valve space – provides a minimum working area of 27-square inches for easier access
- Integrated heat pump lift receptacle – allows standard CPVC stands to be inserted into the base
- PlusOne™ **Triple Service Access** – 15" wide, industry leading corner service access – makes repairs easier and faster. The two fastener removable corner allows optimal access to internal unit components. Individual louver panels come out once fastener is removed, for faster coil cleaning and easier cabinet reassembly
- Diagnostic service window with two-fastener opening – provides access to the TXV valves and the heat pump reversing valve before opening the unit.
- External gauge port access – allows easy connection of "low-loss" gauge ports
- Single-row condenser coil – makes unit lighter and allows thorough coil cleaning to maintain "out of the box" performance
- 35% fewer cabinet fasteners and fastener-free base – allow for faster access to internal components and hassle-free panel removal
- Service trays – hold fasteners or caps during service calls
- QR code – provides technical information on demand for faster service calls
- Fan motor harness with extra-long wires – allows unit top to be removed without disconnecting fan wire



TABLE OF CONTENTS

Standard Feature Table	3
Available SKUs	3
Features & Benefits	4-5
Model Number Identification	6-7
Physical Data	8
Electrical Data	8
Accessories	9
Weighted Sound Power	9
Thermostats	9
Unit Dimensions	10
Clearances	11
Wiring Diagrams	12
Application Guidelines	12
Refrigerant Line Size Information	13-14
Performance Data	15-44
Guide Specifications	45
Limited Warranty	46



Standard Feature Table

Feature	18	24	30	36	42	48	60
R-410a Refrigerant	√	√	√	√	√	√	√
Maximum SEER	14.5	14.5	14.5	14.5	14.5	14.5	14.5
Maximum EER	12.0	12.0	12.0	12.0	12.0	12.0	12.0
Maximum HSPF	8.5	8.5	8.5	8.5	8.5	8.5	8.5
Scroll Compressor	√	√	√	√	√	√	√
Field Installed Filter Drier	√	√	√	√	√	√	√
Front Seating Service Valves	√	√	√	√	√	√	√
High Pressure Switch	√	√	√	√	√	√	√
Low Pressure Switch	√	√	√	√	√	√	√
Internal Pressure Relief Valve	√	√	√	√	√	√	√
Internal Thermal Overload	√	√	√	√	√	√	√
Long Line capability	√	√	√	√	√	√	√
Low Ambient capability with Kit	√	√	√	√	√	√	√
3-4-5 Service Valve Access	√	√	√	√	√	√	√
Composite Basepan	√	√	√	√	√	√	√
2 Screw Control Box Access	√	√	√	√	√	√	√
15" Access to Internal Components	√	√	√	√	√	√	√
Quick release louver panel design	√	√	√	√	√	√	√
No fasteners to remove along bottom	√	√	√	√	√	√	√
Optimized Venturi Airflow	√	√	√	√	√	√	√
Single row condenser coil	√	√	√	√	√	√	√
Powder coated paint	√	√	√	√	√	√	√
Rust resistant screws	√	√	√	√	√	√	√
QR code	√	√	√	√	√	√	√
External gauge ports	√	√	√	√	√	√	√
Service trays	√	√	√	√	√	√	√

√ = Standard

Available SKU

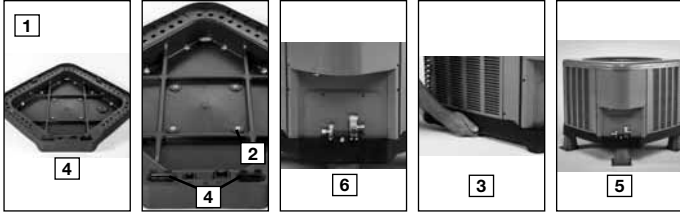
Available Models	Description
RP1418FJ1NA	Classic® 1 1/2 ton 14 SEER Single-Stage Heat Pump-208/230/1/60
RP1424FJ1NA	Classic® 2 ton 14 SEER Single-Stage Heat Pump-208/230/1/60
RP1430FJ1NA	Classic® 2 1/2 ton 14 SEER Single-Stage Heat Pump-208/230/1/60
RP1436FJ1NA	Classic® 3 ton 14 SEER Single-Stage Heat Pump-208/230/1/60
RP1442FJ1NA	Classic® 3 1/2 ton 14 SEER Single-Stage Heat Pump-208/230/1/60
RP1448FJ1NA	Classic® 4 ton 14 SEER Single-Stage Heat Pump-208/230/1/60
RP1460FJ1NA	Classic® 5 ton 14 SEER Single-Stage Heat Pump-208/230/1/60
RP1436FC1NA	Classic® 3 ton 14 SEER Single-Stage Heat Pump-208/230/3/60
RP1442FC1NA	Classic® 3 1/2 ton 14 SEER Single-Stage Heat Pump-208/230/3/60
RP1448FC1NA	Classic® 4 ton 14 SEER Single-Stage Heat Pump-208/230/3/60
RP1460FC1NA	Classic® 5 ton 14 SEER Single-Stage Heat Pump-208/230/3/60



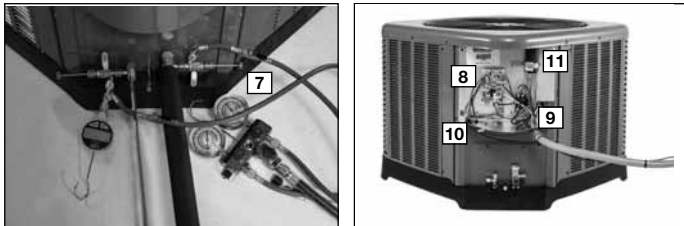
Introduction to RP14**F Heat Pump

The RP14**F is our 14.5 SEER heat pump and is part of the Rheem heat pump product line that extends from 14 to 20 SEER. This highly featured and reliable heat pump is designed for years of reliable, efficient operation when matched with Rheem indoor aluminum evaporator coils and furnaces or air handler units with aluminum evaporators.

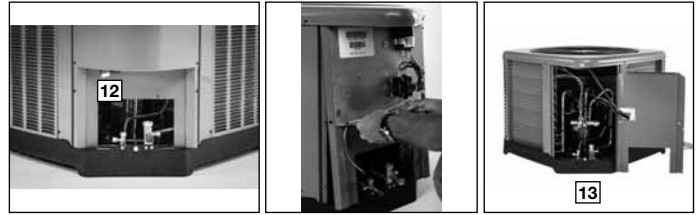
Our unique composite base (1) reduces sound emission, eliminates rattles, significantly reduces fasteners, eliminates corrosion and has integrated brass compressor attachment inserts (2). Furthermore it has incorporated into the design, water management features, means for hand placement (3) for unit maneuvering, screw trays (4) and inserts for lifting unit off pad. (5)



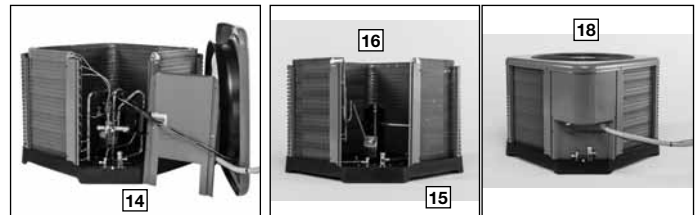
Service Valves (6) are rigidly mounted in the composite base with 3" between suction and discharge valves, 4" clearance below service valves and a minimum of 5" above the service valves, creating industry leading installation ease. The minimum 27-square inches around the service valves allows ample room to remove service valve schrader prior to brazing, plenty of clearance for easy brazing of the suction and discharge lines to service valve outlets, easy access and hookup of low loss refrigerant gauges (7), and access to the service valve caps for opening. For applications with long-line lengths up to 250 feet total equivalent length, up to 200 feet heat pump above evaporator, or up to 80 feet evaporator above heat pump, the long-line instructions in the installation manual should be followed.



Controls are accessed from the corner of the unit by removing only two fasteners from the control access cover, revealing the industry's largest 15" wide and 14" tall control area (8). With all this room in the control area the high voltage electrical whip (9) can easily be inserted through the right size opening in the bottom of the control area. Routing it leads directly to contractor lugs for connection. The low voltage control wires (10) are easily connected to units low voltage wiring. If contactor, defrost control or capacitor (11) needs to be replaced there is more than adequate space to make the repair. Furthermore, the service window (12) can be removed to access the TXV and reversing valve by removing two screws or the entire corner can be removed providing ultimate access to the TXV or reversing valve. (13)



If in the rare event, greater access is needed to internal components, such as the compressor, the entire corner of the unit can be removed along with the top cover assembly to have unprecedented access to interior of the unit (14). Extra wire length is incorporated into each outdoor fan and compressor so top cover and control panel can be positioned next to unit. With minimal effort the plug panel can be removed from the compressor and the outdoor fan wires can be removed from the capacitor to allow even more uncluttered access to the interior of the unit (15). Outdoor coils heights range from as short as 25" to 45", aiding access to the compressor. Disassembly to this degree and complete reassembly only takes a first time service technician less than 10 minutes. (18)



All units utilize strong formed louver panels which provide industry leading coil protection. Louver removal for coil cleaning is accomplished by removing one screw and lifting the panel out of the composite base pan (17). All RP14**F units utilize single row coils (16) making cleaning easy and complete, restoring the performance of the heat pump back to out of the box performance levels year after year.

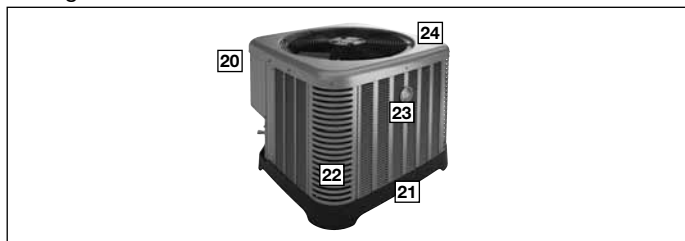


The outdoor fan motor has sleeve bearings and is inherently protected. The motor is totally enclosed for maximum protection from weather, dust and corrosion. Access to the outdoor fan is made by removing four fasteners from the fan grille. The outdoor fan can be removed from the fan grille by removing 4 fasteners in the rare case outdoor fan motor fails.

Each cabinet has optimized composite (19) fan orifice assuring efficient and quiet airflow.



The entire cabinet has powder post paint (20) achieving 1000 hour salt spray rating, allowing the cabinet to retain its aesthetics throughout its life.



Scroll compressors with standard internal pressure relief and internal thermal overload are used on all capacities assuring longevity of high efficient and quiet operation for the life of the product. All RP14**F Heat Pumps come standard with high and low pressure switches.

Each unit is shipped with filter drier for field installation and will trap any moisture or dirt that could contaminate the refrigerant system.



All cabinets have industry leading structural strength due to the composite base pan (21), interlocking corner post (22), formed curved louver panels (23) and drawn top cover (24) making it the most durable cabinet on the market today.

Each RP14**F capacity has undergone rigorous psychrometric testing to assure performance ratings of capacity, SEER, EER and HSPF per AHRI Standard 210/240 rating conditions. Also each unit bears the UL mark and each unit is certified to UL 1995 safety standards.



Each unit has undergone specific strain and modal testing to assure tubing (25) is outside the units natural frequency and that the suction and discharge lines connected to the compressor withstand any starting, steady state operation or shut down forces imposed by the compressor.

All units have been sound tested in sound chamber to AHRI 270 rating conditions, and A-weighted Sound Power Level tables produced, assuring units have acceptable noise qualities (see page 9). Each unit has been ran in cooling operation at 95°F and 47°F and sound ratings for the RP14**F range from as low as 73 dBA to 79 dBA.

All units have been ship tested to assure units meet stringent "over the road" shipping conditions.

As manufactured all units in the RP14**F family have cooling capability to 55 °F. Addition of low ambient control will allow the unit to operate down to 0°F.

Factory testing is performed on each unit. All component parts meet well defined specification and continually go through receiving inspections. Each component installed on a unit is scanned, assuring correct component utilization for a given unit capacity and voltage. All condenser coils are leak tested with pressurization test to 550#’s and once installed and assembled, each units’ complete refrigerant system is helium leak tested. All units are fully charged from the factory for up to 15 feet of piping. All units are factory run tested. The RP14**F has a 10-year conditional compressor and parts warranty (registration required).

Optional Accessories (Refer to accessory chart for model #)

Compressor Crankcase Heater

- Protects against refrigerant migration that can occur during low ambient operation

Compressor Sound Cover

- Reinforced vinyl compressor cover containing a 1½ inch thick batt of fiberglass insulation
- Open edges are sealed with a one-inch wide hook and loop fastening tape

Compressor hard Start Kit

- Single-phase units are equipped with a PSC compressor motor. This type of motor normally does not need a potential relay and start capacitor
- In conditions such as low voltage, this kit may be required to increase the compressor starting torque

Low Ambient Kit

- Heat Pump operate satisfactorily in the cooling mode down to 55°F outdoor air temperature without any additional controls
- Kit can be added in the field enabling unit to operate properly down to 0° in the cooling mode
- Crankcase heater and freezestat should be installed on compressors equipped with a low ambient kit

3"/6"/12"

- Gray high density polyethylene feet are available to raise unit off of mounting surface away from moisture



Heat Pumps

R	P	14	24	F	J	1	N	A	*
Brand	Product Category	SEER	Capacity BTU/HR	Major Series*	Voltage	Type	Controls	Minor Series**	Option Code
Rheem	P - Heat Pump	13 - 13 SEER 14 - 14 SEER 15 - 15 SEER 17 - 17 SEER 20 - 20 SEER	18 - 18,000 [5.28 kW] 24 - 24,000 [7.03 kW] 30 - 30,000 [8.79 kW] 36 - 36,000 [10.55 kW] 42 - 42,000 [12.31 kW] 48 - 48,000 [14.07 kW] 60 - 60,000 [17.58 kW]	A - 1st Design B - 2nd Design F - Reverse Furnace Coil/PSH AHU Series	J - 1ph, 208-230/60 C - 3ph, 208-230/60 D - 3ph, 460/60	1 - Single-stage V - Inverter P - Piston	C - Communicating N - Non-communicating	A - 1st Design	N/A

Air Conditioners (For Reference)

R	A	14	24	A	J	1	N	A	*
Brand	Product Category	SEER	Capacity BTU/HR [kW]	Major Series*	Voltage	Type	Controls	Minor Series**	Option Code
Rheem	A - Air Conditioners	13 - 13 SEER 14 - 14 SEER 16 - 16 SEER 17 - 17 SEER 20 - 20 SEER	18 - 18,000 [5.28 kW] 24 - 24,000 [7.03 kW] 30 - 30,000 [8.79 kW] 36 - 36,000 [10.55 kW] 42 - 42,000 [12.31 kW] 48 - 48,000 [14.07 kW] 60 - 60,000 [17.58 kW]	A - 1st Design	J - 1ph, 208-230/60 C - 3ph, 208-230/60 D - 3ph, 460/60	1 - Single-stage 2 - Two-stage V - Inverter	C - Communicating N - Non-communicating	A - 1st Design	N/A

Furnace Coils (For Reference)

R	C	E	24	17	S	I	A	M	C	A	*
Brand	Product Category	Type	Capacity BTU/HR	Width	Efficiency	Metering Device	Major Series*	Orientation	Casing	Minor Series**	Option Code
Rheem	C - Evap Coil	F - Furn Coil H - Air-Handler Coil	24 - 24,000 [7.03 kW] 36 - 36,000 [10.55 kW] 48 - 48,000 [14.07 kW] 60 - 60,000 [17.58 kW]	14 - 14" 17 - 17.5" 21 - 21" 24 - 24.5"	S - Standard Eff. M - Mid Eff. H - High Eff.	T-TXV E-EEV P-Piston	A - 1st Design	M - Multi-poise	C - Cased U - Uncased	A - 1st Design	N/A

[] Designates Metric Conversions



90%+ AFUE Gas Furnaces (For Reference)

<u>R</u>	<u>96</u>	<u>V</u>	<u>A</u>	<u>70</u>	<u>2</u>	<u>3</u>	<u>17</u>	<u>M</u>	<u>S</u>	<u>A</u>
Brand	Series	Motor	Major Rev	Input BTU/HR [kW]	Stages	Air Flow	Cabinet Width	Configuration	Nox	Minor Rev
Rheem	90 - 90 AFUE	V - Variable speed	A - 1st Design	040 - 42,000 [12.31 kW]	1 - Single-stage	3 - up to 3 ton	14 - 14"	M - Multi-poise	X - Low Nox	A - 1st Design
	92 - 92 AFUE	T - Constant Torque (X-13)		060 - 56,000 [16.41 kW]	2 - Two-stage	5 - 3 1/2 up to 5 ton	17 - 17.5"		S - Standard	
	95 - 95 AFUE			070 - 70,000 [20.51 kW]	M - Modulating		21 - 21"			
	96 - 96 AFUE			085 - 84,000 [24.62 kW]			24 - 24.5"			
	97 - 97 AFUE	P - PSC		100 - 98,000 [28.72 kW]						
				115 - 112,000 [32.82 kW]						

80% AFUE Gas Furnaces (For Reference)

<u>R</u>	<u>80</u>	<u>2</u>	<u>V</u>	<u>A</u>	<u>075</u>	<u>3</u>	<u>17</u>	<u>M</u>	<u>S</u>	<u>A</u>
Brand	Series	Stages	Motor	Major Rev	Input BTU/HR [kW]	Air Flow	Cabinet Width	Configuration	Nox	Minor Rev
Rheem	80 - 80+ AFUE	1 - Single-stage	V - Variable speed	A - 1st Design	050 - 50,000 [15 kW]	3 - up to 3 ton	14 - 14"	M - Multi	X - Low Nox	A - 1st Design
		2 - Two-stage	T - Constant Torque (X-13)		075 - 75,000 [22 kW]	4 - 2 1/2 to 4 ton	17 - 17.5"	D - Down	S - Standard	
			P - PSC premium		100 - 100,000 [29 kW]	5 - 3 1/2 up to 5 ton	21 - 21"	Z - Down & zero clearance		
			S - PSC standard		125 - 125,000 [37 kW]		24 - 24.5"	down flow		
					150 - 150,000 [44 kW]					

Air Handlers (For Reference)

<u>R</u>	<u>H</u>	<u>1</u>	<u>I</u>	<u>36</u>	<u>17</u>	<u>S</u>	<u>I</u>	<u>A</u>	<u>N</u>	<u>A</u>	<u>000</u>	<u>*</u>
Brand	Product Category	Stages of Airflow	Motor Type	Capacity BTU/HR	Width	Coil Size	Metering Device	Major Series*	Controls	Voltage	Minor Series**	Factory Heat Cap Code
Rheem	H - Air Handler	1 - Single-stage	V - Variable Speed	24 - 24,000 [7.03 kW]	14 - 14"	S - Standard	T - TEV	A - 1st Design	C - Communicating	A - 1ph, 115/60	A - 1st Design	00 - no factory heat with option code
F - Front Return Air Handler		2 - Two-stage	T - Constant Torque	36 - 36,000 [10.55 kW]	17 - 17.5"	Efficiency	E - EEV		N - Non-communicating	J - 1ph, 208-240/60	Design	
		M - Modulating	P - PSC	48 - 48,000 [14.07 kW]	21 - 21"	M - Mid	P - Piston			D - 3ph, 480/60		
				60 - 60,000 [17.58 kW]	24 - 24.5"	H - High Efficiency						

[] Designates Metric Conversions



Air





Air

Physical Data							
Model No. #	RP1418F	RP1424F	RP1430F	RP1436F	RP1442F	RP1448F	RP1460F
Nominal Tonnage	1.5	2.0	2.5	3.0	3.5	4.0	5.0
Valve Connections							
Liquid Line O.D. – in.	3/8	3/8	3/8	3/8	3/8	3/8	3/8
Suction Line O.D. – in.	3/4	3/4	3/4	3/4	7/8	7/8	7/8
Refrigerant (R410A) furnished oz.¹	99	105	116	118	139	108	217
Compressor Type	Scroll						
Outdoor Coil							
Net face area – Outer Coil	9.1	11.1	17.3	19.8	19.8	24.2	28.3
Net face area – Inner Coil	—	—	—	—	—	—	—
Tube diameter – in.	3/8	3/8	3/8	3/8	3/8	3/8	3/8
Number of rows	1	1	1	1	1	1	1
Fins per inch	20	20	20	20	20	20	20
Outdoor Fan							
Diameter – in.	20	20	24	24	24	26	26
Number of blades	2	3	3	3	3	3	3
Motor hp	1/8	1/8	1/5	1/3	1/5	1/3	1/5
CFM	2411	2478	3852	3120	3815	4380	3655
RPM	1077	1075	825	910	825	870	850
watts	151	138	197	135	202	266	274
Shipping weight – lbs.	156	159	167	179	187	215	243
Operating weight – lbs.	133	152	160	172	180	208	236

Electrical Data							
Line Voltage Data (Volts-Phase-Hz)	208/230-1-60	208/230-1-60	208/230-1-60	208/230-1-60	208/230-1-60	208/230-1-60	208/230-1-60
Maximum overcurrent protection (amps)²	15	25	25	35	40	40	50
Minimum circuit ampacity³	12	15	18	23	24	26	31
Compressor							
Rated load amps	9	10.9	12.8	15.4	17.9	18.5	23.7
Locked rotor amps	47.5	62.9	67.8	83.9	112	124	152.5
Condenser Fan Motor							
Full load amps	0.7	0.7	1	2.8	1	2.8	1
Locked rotor amps	1.2	1.3	1.2	—	1.2	—	2.3
Line Voltage Data (Volts-Phase-Hz)	—	—	—	208/230-3-60	208/230-3-60	208/230-3-60	208/230-3-60
Maximum overcurrent protection (amps) ²	—	—	—	25	30	30	35
Minimum circuit ampacity ³	—	—	—	16	18	21	21
Compressor							
Rated load amps	—	—	—	10.4	13.5	13.8	15.9
Locked rotor amps	—	—	—	73	88	83.1	110

¹Refrigerant charge sufficient for 15 ft. length of refrigerant lines. For longer line set requirements see the installation instructions for information about set length and additional refrigerant charge required.

²HACR type circuit breaker or fuse.

³Refer to National Electrical Code manual to determine wire, fuse and disconnect size requirements.





Accessories

Model No.	RP1418F	RP1424F	RP1430F	RP1436F	RP1442F	RP1448F	RP1460F
Compressor crankcase heater	44-17402-44	44-17402-44	44-17402-44	44-17402-44	44-17402-45	Factory Standard	Factory Standard
Low ambient control	RXAD-A08	RXAD-A08	RXAD-A08	RXAD-A08	RXAD-A08	RXAD-A08	RXAD-A08
Compressor sound cover	68-23427-26	68-23427-26	68-23427-26	68-23427-26	68-23427-25	68-23427-25	68-23427-25
Compressor hard start kit	SK-A1	SK-A1	SK-A1	SK-A1	SK-A1	SK-A1	SK-A1
Low pressure control*	Factory Standard	Factory Standard	Factory Standard	Factory Standard	Factory Standard	Factory Standard	Factory Standard
High pressure control*	Factory Standard	Factory Standard	Factory Standard	Factory Standard	Factory Standard	Factory Standard	Factory Standard
Liquid Line Solenoid (24 VAC, 50/60 Hz)	Solenoid Valve	200RD2T3TVLC	200RD2T3TVLC	200RD2T3TVLC	200RD2T3TVLC	200RD2T3TVLC	200RD3T3TVLC
	Solenoid Coil	61-AMG24V	61-AMG24V	61-AMG24V	61-AMG24V	61-AMG24V	61-AMG24V
	Bi-flow kit*	KS30387	KS30387	KS30387	KS30387	KS30387	KS30387
Liquid Line Solenoid (120/240 VAC, 50/60 Hz)	Solenoid Valve	200RD2T3TVLC	200RD2T3TVLC	200RD2T3TVLC	200RD2T3TVLC	200RD2T3TVLC	200RD3T3TVLC
	Solenoid Coil	61-AMG120/240V	61-AMG120/240V	61-AMG120/240V	61-AMG120/240V	61-AMG120/240V	61-AMG120/240V
	Bi-flow kit*	KS30387	KS30387	KS30387	KS30387	KS30387	KS30387
Classic Top Cap w/Label	91-101123-21	91-101123-21	91-101123-21	91-101123-21	91-101123-21	91-101123-21	91-101123-21
Heat Pump Riser – 6 inch	686020	686020	686020	686020	686020	686020	686020

*Bi-flow kits are required when installing a liquid line solenoid on a heat pump.

Weighted Sound Power Level (dBA)

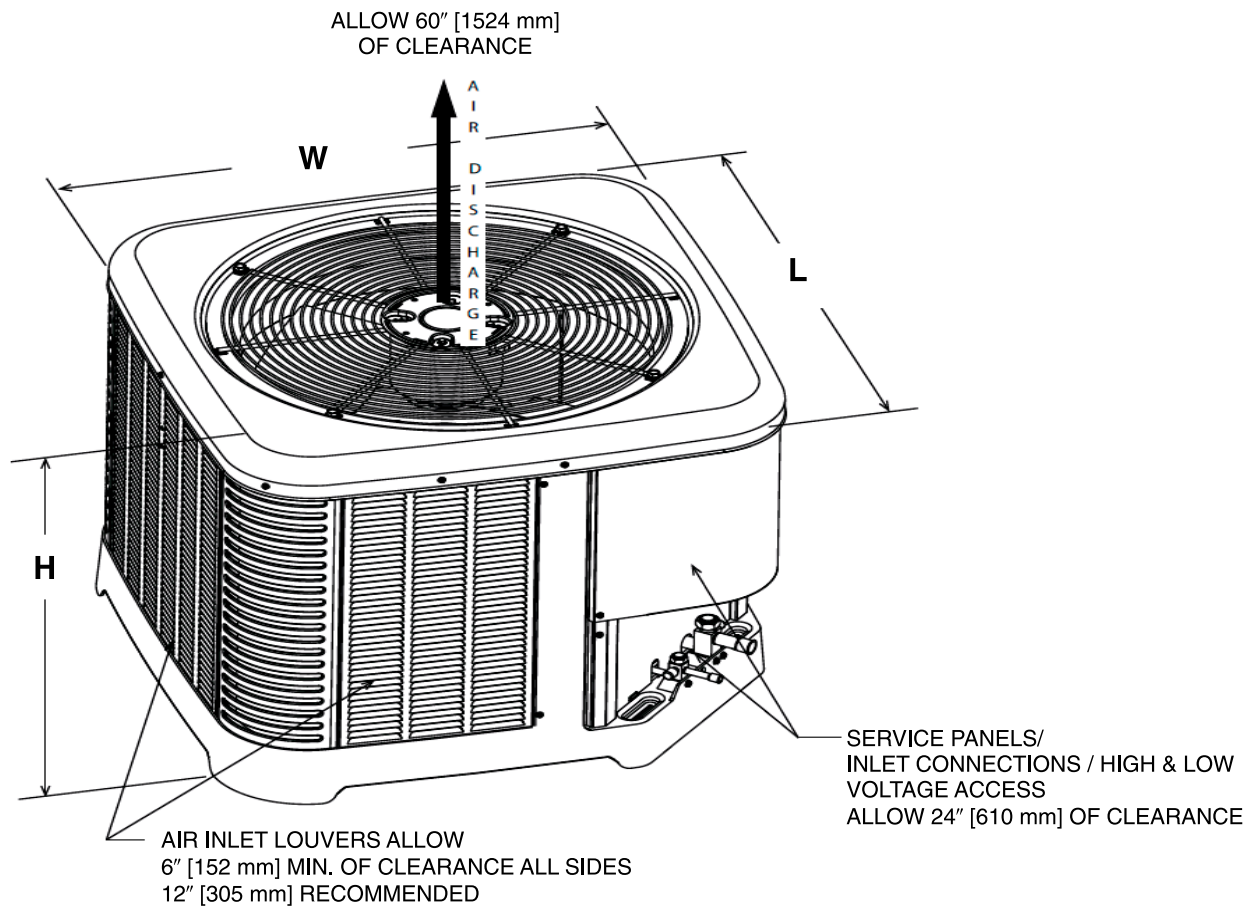
Unit Size – Voltage, Series	Standard Rating (dBA)	TYPICAL OCTAVE BAND SPECTRUM (dBA without tone adjustment)						
		125	250	500	1000	2000	4000	8000
RP1418F	75.2	53.8	60.2	64.3	66	62.5	57.6	53.5
RP1424F	75.8	53.9	60.6	65.8	66.4	63.0	57.8	50.2
RP1430F	73.3	51.8	56.6	63.4	62.9	60.8	55.9	51.5
RP1436F	74.7	48.9	54.3	63.1	66.4	62.2	53.2	53.2
RP1442F	74.1	52.9	55.9	64	63.5	61.4	58	52.1
RP1448F	76.5	55.8	59	68.2	66.3	64.3	60.5	55.4
RP1460F	73.9	58.9	55.7	63.4	63.3	61.5	58.6	56.4

NOTE: Tested in accordance with AHRI Standard 270-08 (not listed in AHRI)



Unit Dimensions

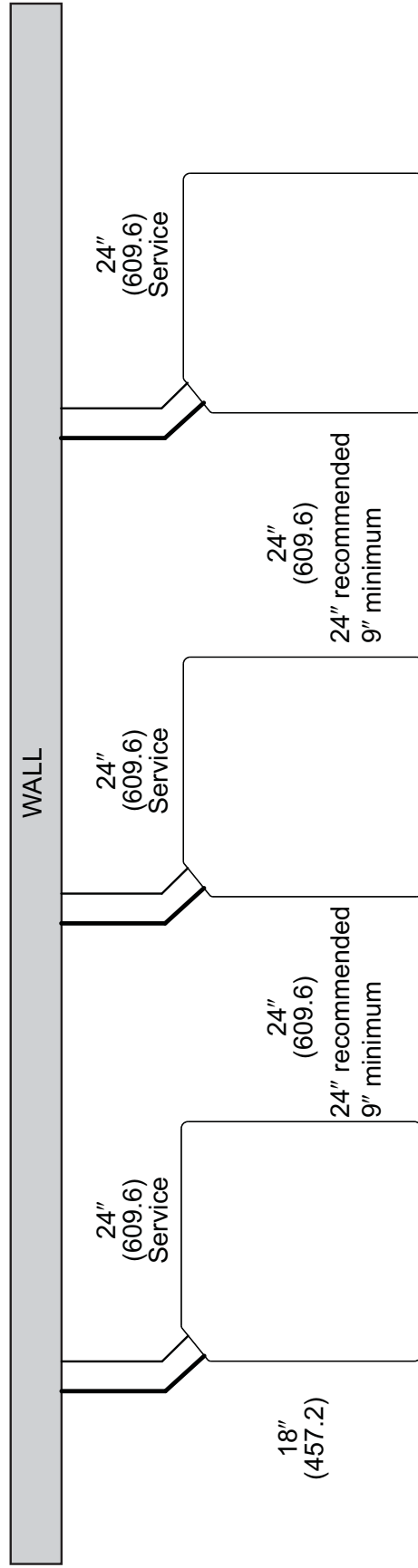
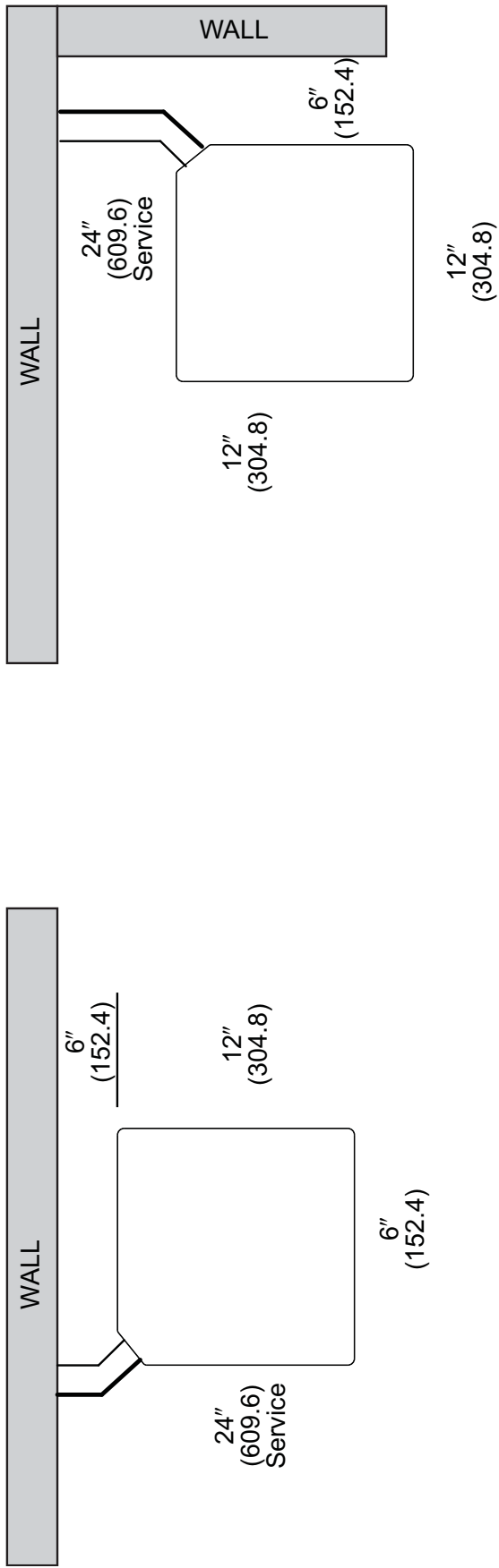
MODEL NUMBER	OPERATING						SHIPPING					
	H (Height)		L (Length)		W (Width)		H (Height)		L (Length)		W (Width)	
	INCHES	mm	INCHES	mm	INCHES	mm	INCHES	mm	INCHES	mm	INCHES	mm
RP1418F	25	635	29.75	755	29.75	755	26.75	679	32.38	822	32.38	822
RP1424F	25	635	29.75	755	29.75	755	26.75	679	32.38	822	32.38	822
RP1430F	31	787	33.75	857	33.75	857	32.75	831	32.38	822	32.38	822
RP1436F	35	889	33.75	857	33.75	857	36.75	933	36.38	924	36.38	924
RP1442F	35	889	33.75	857	33.75	857	36.75	933	36.38	924	36.38	924
RP1448F	39	990	35.75	908	35.75	908	40.75	1035	38.38	974	38.38	974
RP1460F	45	1143	35.75	908	35.75	908	46.75	1187	38.38	974	38.38	974



[] Designates Metric Conversions

ST-A1226-02-00

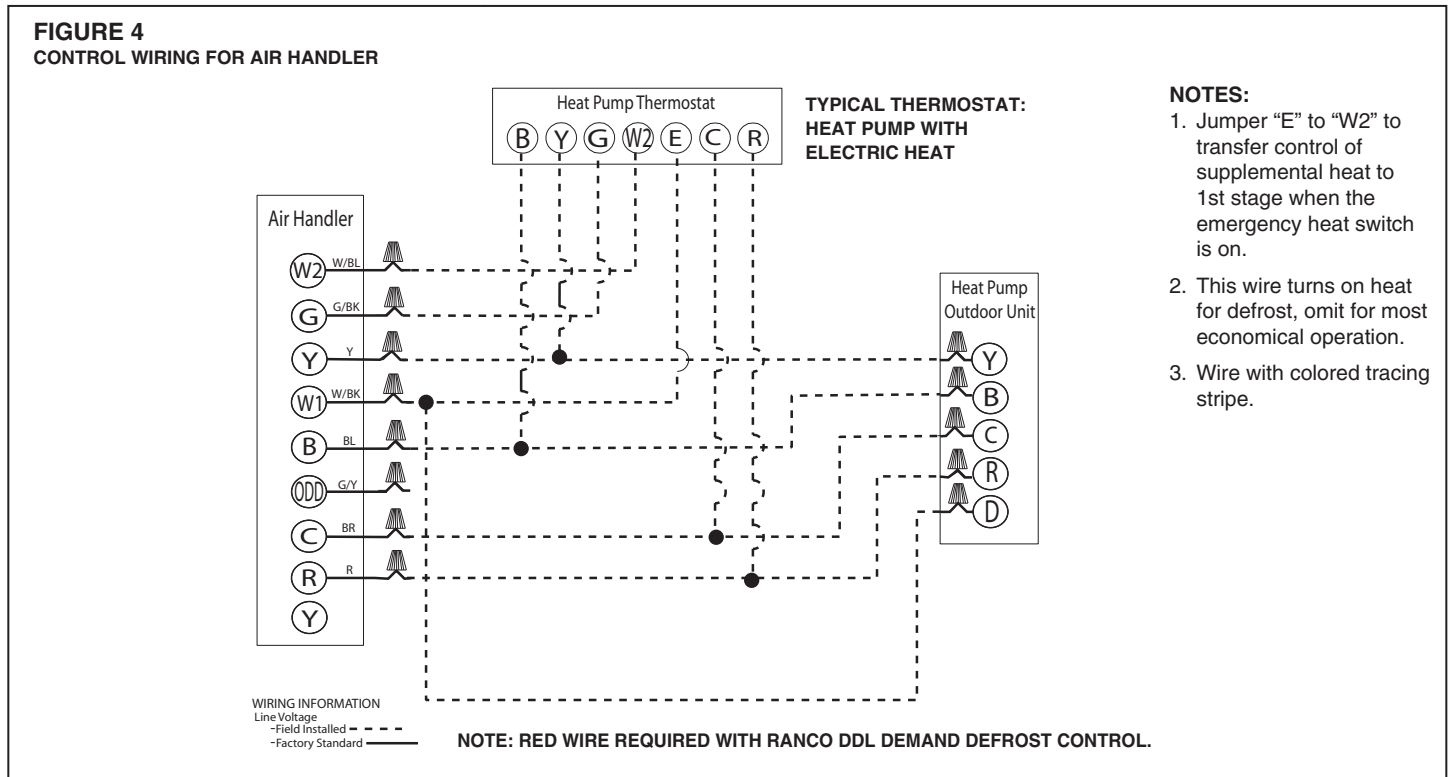
CLEARANCES



NOTE: NUMBERS IN () = mm

IMPORTANT: When installing multiple units in an alcove, roof well or partially enclosed area, ensure there is adequate ventilation to prevent re-circulation of discharge air.

Control Wiring



Application Guidelines

1. Intended for outdoor installation with free air inlet and outlet. Outdoor fan external static pressure available is less than 0.01 -in. wc.
2. Minimum outdoor operation air temperature for cooling mode without low-ambient operation accessory is 55°F (12.8°C).
3. Maximum outdoor operating air temperature is 125°F (51.7°C).
4. For reliable operation, unit should be level in all horizontal planes.
5. Use only copper wire for electric connections at unit. Aluminum and clad aluminum are not acceptable for the type of connector provided.
6. Do not apply capillary tube indoor coils to these units.
7. Factory – supplied filter drier must be installed.

Performance Data @ AHRI Standard Conditions – Heat Pump

Note: Ratings contained in this document are subject to change. For up-to-date and expanded ratings, please visit the AHRI web site (www.ahridirectory.org).

High Sales Volume Tested Combination (HSVTC)												
Outdoor Unit	Air Handler	Total Capacity BTU/H [kW]	Net Sensible BTU/H [kW]	Net Latent BTU/H [kW]	SEER	EER	Indoor CFM [L/s]	47 Degree Heating Capacity BTU/H [kW]	47 Degree COP	17 Degree Heating Capacity BTU/H [kW]	47 Degree COP	Region IV HSPF
RP1418FJ1	RH1T2417STAN	18500 [5.4]	14500 [4.2]	4000 [1.2]	14.50	12.00	650 [306.8]	15700 [4.6]	3.60	9100 [2.7]	2.40	8.50
RP1424FJ1	RH1T2417STAN	24000 [7.0]	17900 [5.2]	6100 [1.8]	14.50	12.00	800 [377.6]	22000 [6.4]	3.70	13500 [4.0]	2.50	8.50
RP1430FJ1	RH1T3617STAN	29400 [8.6]	22500 [6.6]	6900 [2.0]	14.50	12.00	1025 [483.7]	27000 [7.9]	3.70	16600 [4.9]	2.40	8.50
RP1436FC1	RH1T3617STAN	35600 [10.4]	26400 [7.7]	9200 [2.7]	14.50	12.00	1175 [554.5]	33800 [9.9]	3.66	22400 [6.6]	2.66	8.50
RP1436FJ1	RH1T3617STAN	35600 [10.4]	26400 [7.7]	9200 [2.7]	14.50	12.00	1175 [554.5]	33800 [9.9]	3.66	22400 [6.6]	2.66	8.50
RP1442FC1	RH1T4821STAN	42500 [12.5]	30600 [9.0]	11900 [3.5]	14.50	12.00	1350 [637.1]	40000 [11.7]	3.76	25600 [7.5]	2.60	8.50
RP1442FJ1	RH1T4821STAN	42500 [12.5]	30600 [9.0]	11900 [3.5]	14.50	12.00	1350 [637.1]	40000 [11.7]	3.76	25600 [7.5]	2.60	8.50
RP1448FC1	RH1T4821STAN	47000 [13.8]	34100 [10.0]	12900 [3.8]	14.50	12.00	1500 [707.9]	44500 [13.0]	3.66	29000 [8.5]	2.60	8.50
RP1448FJ1	RH1T4821STAN	47000 [13.8]	34100 [10.0]	12900 [3.8]	14.50	12.00	1500 [707.9]	44500 [13.0]	3.66	29000 [8.5]	2.60	8.50
RP1460FC1	RH1T6024STAN	58000 [17.0]	42400 [12.4]	15600 [4.6]	14.50	12.00	1775 [837.7]	56000 [16.4]	3.76	35600 [10.4]	2.66	8.50
RP1460FJ1	RH1T6024STAN	58000 [17.0]	42400 [12.4]	15600 [4.6]	14.50	12.00	1775 [837.7]	56000 [16.4]	3.76	35600 [10.4]	2.66	8.50

Coil Only Ratings												
Outdoor Unit	Indoor Coil	Total Capacity BTU/H [kW]	Net Sensible BTU/H [kW]	Net Latent BTU/H [kW]	SEER	EER	Indoor CFM [L/s]	47 Degree Heating Capacity BTU/H [kW]	47 Degree COP	17 Degree Heating Capacity BTU/H [kW]	47 Degree COP	Region IV HSPF
RP1418FJ1	RCF2417STAM+RXMD-C04	18000 [5.3]	13700 [4.0]	4300 [1.3]	14.00	11.50	650 [306.8]	17000 [5.0]	3.50	10400 [3.0]	2.40	8.20
RP1424FJ1	RCF2417STAM+RXMD-C04	23400 [6.9]	16900 [5.0]	6500 [1.9]	14.00	11.50	800 [377.6]	23200 [6.8]	3.50	14600 [4.3]	2.46	8.20
RP1430FJ1	RCF3617STAM+RXMD-C04	28600 [8.4]	21100 [6.2]	7500 [2.2]	14.00	11.50	1050 [495.5]	28400 [8.3]	3.54	18100 [5.3]	2.34	8.20
RP1436FC1	RCF3621STAM+RXMD-C04	28600 [8.4]	21100 [6.2]	7500 [2.2]	14.00	11.50	1050 [495.5]	28600 [8.4]	3.60	18200 [5.3]	2.40	8.20
RP1436FJ1	RCF3617STAM+RXMD-C04	34600 [10.1]	24400 [7.2]	10200 [3.0]	14.00	11.50	1075 [507.3]	35200 [10.3]	3.54	23600 [6.9]	2.60	8.20
RP1436FC1	RCF3621STAM+RXMD-C04	34600 [10.1]	24400 [7.2]	10200 [3.0]	14.00	11.50	1150 [542.7]	35200 [10.3]	3.54	23600 [6.9]	2.60	8.20
RP1436FJ1	RCF3617STAM+RXMD-C04	34600 [10.1]	24400 [7.2]	10200 [3.0]	14.00	11.50	1075 [507.3]	35200 [10.3]	3.54	23600 [6.9]	2.60	8.20
RP1436FC1	RCF3621STAM+RXMD-C04	34600 [10.1]	24400 [7.2]	10200 [3.0]	14.00	11.50	1150 [542.7]	35200 [10.3]	3.54	23600 [6.9]	2.60	8.20
RP1442FC1	RCF4821STAM+RXMD-04	42000 [12.3]	31100 [9.1]	10900 [3.2]	14.00	11.50	1275 [601.7]	39500 [11.6]	3.50	25400 [7.4]	2.44	8.20
RP1442FJ1	RCF4824STAM+RXMD-04	42000 [12.3]	31100 [9.1]	10900 [3.2]	14.00	11.50	1275 [601.7]	39500 [11.6]	3.50	25400 [7.4]	2.44	8.20
RP1442FC1	RCF4821STAM+RXMD-04	42000 [12.3]	31100 [9.1]	10900 [3.2]	14.00	11.50	1275 [601.7]	39500 [11.6]	3.50	25400 [7.4]	2.44	8.20
RP1442FJ1	RCF4824STAM+RXMD-04	42000 [12.3]	31100 [9.1]	10900 [3.2]	14.00	11.50	1275 [601.7]	39500 [11.6]	3.50	25400 [7.4]	2.44	8.20
RP1448FC1	RCF4821STAM+RXMD-C04	44500 [13.0]	29900 [8.8]	14600 [4.3]	14.00	11.50	1375 [648.9]	46500 [13.6]	3.60	30600 [9.0]	2.60	8.20
RP1448FC1	RCF4824STAM+RXMD-C04	44500 [13.0]	29900 [8.8]	14600 [4.3]	14.00	11.50	1375 [648.9]	46500 [13.6]	3.60	30600 [9.0]	2.60	8.20
RP1448FJ1	RCF4821STAM+RXMD-C04	44500 [13.0]	29900 [8.8]	14600 [4.3]	14.00	11.50	1375 [648.9]	46500 [13.6]	3.60	30600 [9.0]	2.60	8.20
RP1448FJ1	RCF4824STAM+RXMD-C04	44500 [13.0]	29900 [8.8]	14600 [4.3]	14.00	11.50	1375 [648.9]	46500 [13.6]	3.60	30600 [9.0]	2.60	8.20
RP1460FC1	RCF6024HTAM+RXMD-C04	55500 [16.3]	37200 [10.9]	18300 [5.4]	14.00	11.50	1600 [755.1]	58500 [17.1]	3.80	38000 [11.1]	2.70	8.20
RP1460FC1	RCF6024STAM+RXMD-C04	55500 [16.3]	37200 [10.9]	18300 [5.4]	14.00	11.50	1600 [755.1]	58500 [17.1]	3.80	38000 [11.1]	2.70	8.20
RP1460FJ1	RCF6024HTAM+RXMD-C04	55500 [16.3]	37200 [10.9]	18300 [5.4]	14.00	11.50	1600 [755.1]	58500 [17.1]	3.80	38000 [11.1]	2.70	8.20
RP1460FJ1	RCF6024STAM+RXMD-C04	55500 [16.3]	37200 [10.9]	18300 [5.4]	14.00	11.50	1600 [755.1]	58500 [17.1]	3.80	38000 [11.1]	2.70	8.20

[] Designates Metric Conversions

Performance Data @ AHRI Standard Conditions – Heat Pump (con't.)

Note: Ratings contained in this document are subject to change. For up-to-date and expanded ratings, please visit the AHRI web site (www.ahridirectory.org).

R801T: Classic Plus Single-Stage X-13 80% Furnace Ratings

Outdoor Unit	Furnace	Indoor Coil	Total Capacity BTU/H [kW]	Net Sensible BTU/H [kW]	Net Latent BTU/H [kW]	SEER	EER	Indoor CFM [L/s]	47 Degree Heating Capacity BTU/H [kW]	47 Degree COP	17 Degree Heating Capacity BTU/H [kW]	47 Degree COP	Region IV HSPF
RP1418FJ1	R801TA050314MSA	RCF2417STAM	18000 [5.3]	14000 [4.1]	4000 [1.2]	14.00	11.50	625 [295.0]	15500 [4.5]	3.60	9000 [2.6]	2.34	8.20
RP1418FJ1	R801TA050314MXA	RCF2417STAM	18000 [5.3]	14000 [4.1]	4000 [1.2]	14.00	11.50	625 [295.0]	15500 [4.5]	3.60	9000 [2.6]	2.34	8.20
RP1418FJ1	R801TA075317ZSA	RCF2417STAM	18000 [5.3]	14000 [4.1]	4000 [1.2]	14.00	11.50	650 [306.8]	15700 [4.6]	3.60	9200 [2.7]	2.40	8.20
RP1418FJ1	R801TA075317ZSB	RCF2417STAM	18000 [5.3]	14000 [4.1]	4000 [1.2]	14.00	11.50	650 [306.8]	15700 [4.6]	3.60	9200 [2.7]	2.40	8.20
RP1418FJ1	R801TA075317ZXA	RCF2417STAM	18000 [5.3]	14000 [4.1]	4000 [1.2]	14.00	11.50	650 [306.8]	15700 [4.6]	3.60	9200 [2.7]	2.40	8.20
RP1418FJ1	R801TA075317ZXB	RCF2417STAM	18000 [5.3]	14000 [4.1]	4000 [1.2]	14.00	11.50	650 [306.8]	15700 [4.6]	3.60	9200 [2.7]	2.40	8.20
RP1418FJ1	R801TB075317ZSB	RCF2417STAM	18000 [5.3]	14000 [4.1]	4000 [1.2]	14.00	11.50	650 [306.8]	15700 [4.6]	3.60	9200 [2.7]	2.40	8.20
RP1418FJ1	R801TB075317ZXA	RCF2417STAM	18000 [5.3]	14000 [4.1]	4000 [1.2]	14.00	11.50	650 [306.8]	15700 [4.6]	3.60	9200 [2.7]	2.40	8.20
RP1418FJ1	R801TB075317ZXB	RCF2417STAM	18000 [5.3]	14000 [4.1]	4000 [1.2]	14.00	11.50	650 [306.8]	15700 [4.6]	3.60	9200 [2.7]	2.40	8.20
RP1424FJ1	R801TA050314MSA	RCF2417STAM	24000 [7.0]	17900 [5.2]	6100 [1.8]	14.00	11.50	825 [389.4]	22000 [6.4]	3.66	13500 [4.0]	2.46	8.20
RP1424FJ1	R801TA050314MXA	RCF2417STAM	24000 [7.0]	17900 [5.2]	6100 [1.8]	14.00	11.50	825 [389.4]	22000 [6.4]	3.66	13500 [4.0]	2.46	8.20
RP1424FJ1	R801TA075317ZSA	RCF2417STAM	24000 [7.0]	17900 [5.2]	6100 [1.8]	14.00	11.50	850 [401.2]	22000 [6.4]	3.66	13600 [4.0]	2.46	8.20
RP1424FJ1	R801TA075317ZSB	RCF2417STAM	24000 [7.0]	17900 [5.2]	6100 [1.8]	14.00	11.50	850 [401.2]	22000 [6.4]	3.66	13600 [4.0]	2.46	8.20
RP1424FJ1	R801TA075317ZXA	RCF2417STAM	24000 [7.0]	17900 [5.2]	6100 [1.8]	14.00	11.50	850 [401.2]	22000 [6.4]	3.66	13600 [4.0]	2.46	8.20
RP1424FJ1	R801TA075317ZXB	RCF2417STAM	24000 [7.0]	17900 [5.2]	6100 [1.8]	14.00	11.50	850 [401.2]	22000 [6.4]	3.66	13600 [4.0]	2.46	8.20
RP1424FJ1	R801TB075317ZSB	RCF2417STAM	24000 [7.0]	17900 [5.2]	6100 [1.8]	14.00	11.50	850 [401.2]	22000 [6.4]	3.66	13600 [4.0]	2.46	8.20
RP1424FJ1	R801TB075317ZXA	RCF2417STAM	24000 [7.0]	17900 [5.2]	6100 [1.8]	14.00	11.50	850 [401.2]	22000 [6.4]	3.66	13600 [4.0]	2.46	8.20
RP1424FJ1	R801TB075317ZXB	RCF2417STAM	24000 [7.0]	17900 [5.2]	6100 [1.8]	14.00	11.50	850 [401.2]	22000 [6.4]	3.66	13600 [4.0]	2.46	8.20
RP1430FJ1	R801TA050314MSA	RCF3617STAM	29000 [8.5]	21900 [6.4]	7100 [2.1]	14.00	11.50	1000 [471.9]	27200 [8.0]	3.66	16700 [4.9]	2.34	8.20
RP1430FJ1	R801TA050314MXA	RCF3617STAM	29000 [8.5]	21900 [6.4]	7100 [2.1]	14.00	11.50	1000 [471.9]	27200 [8.0]	3.66	16700 [4.9]	2.34	8.20
RP1430FJ1	R801TA075317ZSA	RCF3617STAM	29200 [8.6]	22300 [6.5]	6900 [2.0]	14.00	11.50	1050 [495.5]	27200 [8.0]	3.66	16900 [5.0]	2.34	8.20
RP1430FJ1	R801TA075317ZSB	RCF3617STAM	29200 [8.6]	22300 [6.5]	6900 [2.0]	14.00	11.50	1050 [495.5]	27200 [8.0]	3.66	16900 [5.0]	2.34	8.20
RP1430FJ1	R801TA075317ZXA	RCF3621STAM	29200 [8.6]	22300 [6.5]	6900 [2.0]	14.00	11.50	1050 [495.5]	27200 [8.0]	3.66	16900 [5.0]	2.34	8.20
RP1430FJ1	R801TA075317ZXB	RCF3621STAM	29200 [8.6]	22300 [6.5]	6900 [2.0]	14.00	11.50	1050 [495.5]	27200 [8.0]	3.66	16900 [5.0]	2.34	8.20
RP1430FJ1	R801TA075317ZSA	RCF3617STAM	29200 [8.6]	22300 [6.5]	6900 [2.0]	14.00	11.50	1050 [495.5]	27200 [8.0]	3.66	16900 [5.0]	2.34	8.20
RP1430FJ1	R801TA075317ZSB	RCF3621STAM	29200 [8.6]	22300 [6.5]	6900 [2.0]	14.00	11.50	1050 [495.5]	27200 [8.0]	3.66	16900 [5.0]	2.34	8.20
RP1430FJ1	R801TA075317ZXA	RCF3617STAM	29200 [8.6]	22300 [6.5]	6900 [2.0]	14.00	11.50	1050 [495.5]	27200 [8.0]	3.66	16900 [5.0]	2.34	8.20
RP1430FJ1	R801TA075317ZXB	RCF3621STAM	29200 [8.6]	22300 [6.5]	6900 [2.0]	14.00	11.50	1050 [495.5]	27200 [8.0]	3.66	16900 [5.0]	2.34	8.20
RP1430FJ1	R801TA075417MSA	RCF3617STAM	29000 [8.5]	21800 [6.4]	7200 [2.1]	14.00	11.50	975 [460.1]	27000 [7.9]	3.70	16600 [4.9]	2.34	8.20
RP1430FJ1	R801TA075417MXA	RCF3621STAM	29200 [8.6]	22100 [6.5]	7100 [2.1]	14.00	11.50	1000 [471.9]	27000 [7.9]	3.70	16700 [4.9]	2.40	8.20
RP1430FJ1	R801TA075417MSA	RCF3617STAM	29000 [8.5]	21800 [6.4]	7200 [2.1]	14.00	11.50	975 [460.1]	27000 [7.9]	3.70	16600 [4.9]	2.34	8.20
RP1430FJ1	R801TA075421MSA	RCF3621STAM	29200 [8.6]	22100 [6.5]	7100 [2.1]	14.00	11.50	1000 [471.9]	27000 [7.9]	3.70	16700 [4.9]	2.40	8.20
RP1430FJ1	R801TA075421MXA	RCF3617STAM	29200 [8.6]	22100 [6.5]	7100 [2.1]	14.00	11.50	1000 [471.9]	27000 [7.9]	3.70	16700 [4.9]	2.40	8.20
RP1430FJ1	R801TA075521ZSA	RCF3621STAM	29000 [8.5]	21700 [6.4]	7300 [2.1]	14.00	11.50	950 [448.4]	27000 [7.9]	3.76	16500 [4.8]	2.40	8.20
RP1430FJ1	R801TA075521ZSB	RCF3621STAM	29000 [8.5]	21700 [6.4]	7300 [2.1]	14.00	11.50	950 [448.4]	27000 [7.9]	3.76	16500 [4.8]	2.40	8.20
RP1430FJ1	R801TA075521ZXA	RCF3621STAM	29000 [8.5]	21700 [6.4]	7300 [2.1]	14.00	11.50	950 [448.4]	27000 [7.9]	3.76	16500 [4.8]	2.40	8.20
RP1430FJ1	R801TA075521ZXB	RCF3621STAM	29000 [8.5]	21700 [6.4]	7300 [2.1]	14.00	11.50	950 [448.4]	27000 [7.9]	3.76	16500 [4.8]	2.40	8.20

[] Designates Metric Conversions

Performance Data @ AHRI Standard Conditions – Heat Pump (con't.)

Note: Ratings contained in this document are subject to change. For up-to-date and expanded ratings, please visit the AHRI web site (www.ahridirectory.org).

R801T: Classic Plus Single-Stage X-13 80% Furnace Ratings

Outdoor Unit	Furnace	Indoor Coil	Total Capacity BTU/H [kW]	Net Sensible BTU/H [kW]	Net Latent BTU/H [kW]	SEER	EER	Indoor CFM [L/s]	47 Degree Heating Capacity BTU/H [kW]	47 Degree COP	17 Degree Heating Capacity BTU/H [kW]	47 Degree COP	Region IV HSPF
RP1430FJ1	R801TA075521ZXB	RCF3621STAM	29000 [8.5]	21700 [6.4]	7300 [2.1]	14.00	11.50	950 [448.4]	27000 [7.9]	3.76	16500 [4.8]	2.40	8.20
RP1430FJ1	R801TA100521MSA	RCF3621STAM	29200 [8.6]	22100 [6.5]	7100 [2.1]	14.00	11.50	1000 [471.9]	27000 [7.9]	3.76	16600 [4.9]	2.40	8.20
RP1430FJ1	R801TA100521MXA	RCF3621STAM	29200 [8.6]	22100 [6.5]	7100 [2.1]	14.00	11.50	1000 [471.9]	27000 [7.9]	3.76	16600 [4.9]	2.40	8.20
RP1430FJ1	R801TA100521ZSA	RCF3621STAM	29000 [8.5]	21700 [6.4]	7300 [2.1]	14.00	11.50	950 [448.4]	27000 [7.9]	3.76	16500 [4.8]	2.40	8.20
RP1430FJ1	R801TA100521ZSB	RCF3621STAM	29000 [8.5]	21700 [6.4]	7300 [2.1]	14.00	11.50	950 [448.4]	27000 [7.9]	3.76	16500 [4.8]	2.40	8.20
RP1430FJ1	R801TA100521ZXA	RCF3621STAM	29000 [8.5]	21700 [6.4]	7300 [2.1]	14.00	11.50	950 [448.4]	27000 [7.9]	3.76	16500 [4.8]	2.40	8.20
RP1430FJ1	R801TA100521ZXB	RCF3621STAM	29000 [8.5]	21700 [6.4]	7300 [2.1]	14.00	11.50	950 [448.4]	27000 [7.9]	3.76	16500 [4.8]	2.40	8.20
RP1430FJ1	R801TB075317ZSB	RCF3617STAM	29200 [8.6]	22300 [6.5]	6900 [2.0]	14.00	11.50	1050 [495.5]	27200 [8.0]	3.66	16900 [5.0]	2.34	8.20
RP1430FJ1	R801TB075317ZSB	RCF3621STAM	29200 [8.6]	22300 [6.5]	6900 [2.0]	14.00	11.50	1050 [495.5]	27200 [8.0]	3.66	16900 [5.0]	2.34	8.20
RP1430FJ1	R801TB075317ZXB	RCF3617STAM	29200 [8.6]	22300 [6.5]	6900 [2.0]	14.00	11.50	1050 [495.5]	27200 [8.0]	3.66	16900 [5.0]	2.34	8.20
RP1430FJ1	R801TB075521ZSB	RCF3621STAM	29000 [8.5]	21700 [6.4]	7300 [2.1]	14.00	11.50	950 [448.4]	27000 [7.9]	3.76	16500 [4.8]	2.40	8.20
RP1430FJ1	R801TB075521ZXB	RCF3621STAM	29000 [8.5]	21700 [6.4]	7300 [2.1]	14.00	11.50	950 [448.4]	27000 [7.9]	3.76	16500 [4.8]	2.40	8.20
RP1430FJ1	R801TB100521ZSB	RCF3621STAM	29000 [8.5]	21700 [6.4]	7300 [2.1]	14.00	11.50	950 [448.4]	27000 [7.9]	3.76	16500 [4.8]	2.40	8.20
RP1430FJ1	R801TB100521ZXB	RCF3621STAM	29000 [8.5]	21700 [6.4]	7300 [2.1]	14.00	11.50	950 [448.4]	27000 [7.9]	3.76	16500 [4.8]	2.40	8.20
RP1436FC1	R801TA050314MSA	RCF3617STAM	35200 [10.3]	25900 [7.6]	9300 [2.7]	14.00	11.50	1175 [554.5]	34200 [10.0]	3.60	22400 [6.6]	2.60	8.20
RP1436FC1	R801TA050314MXA	RCF3617STAM	35200 [10.3]	25900 [7.6]	9300 [2.7]	14.00	11.50	1175 [554.5]	34200 [10.0]	3.60	22400 [6.6]	2.60	8.20
RP1436FC1	R801TA075317ZSA	RCF3617STAM	35200 [10.3]	26000 [7.6]	9200 [2.7]	14.00	11.50	1200 [566.3]	34200 [10.0]	3.54	22600 [6.6]	2.60	8.20
RP1436FC1	R801TA075317ZSB	RCF3621STAM	35200 [10.3]	26000 [7.6]	9200 [2.7]	14.00	11.50	1200 [566.3]	34200 [10.0]	3.60	22600 [6.6]	2.60	8.20
RP1436FC1	R801TA075317ZXA	RCF3617STAM	35200 [10.3]	26000 [7.6]	9200 [2.7]	14.00	11.50	1200 [566.3]	34200 [10.0]	3.54	22600 [6.6]	2.60	8.20
RP1436FC1	R801TA075317ZXB	RCF3621STAM	35200 [10.3]	26000 [7.6]	9200 [2.7]	14.00	11.50	1200 [566.3]	34200 [10.0]	3.60	22600 [6.6]	2.60	8.20
RP1436FC1	R801TA075417MSA	RCF3617STAM	35600 [10.4]	26600 [7.8]	9000 [2.6]	14.00	11.50	1225 [578.1]	34200 [10.0]	3.60	22600 [6.6]	2.60	8.20
RP1436FC1	R801TA075417MXA	RCF3617STAM	35400 [10.4]	26000 [7.6]	9400 [2.8]	14.00	11.50	1150 [542.7]	34000 [10.0]	3.66	22400 [6.6]	2.66	8.20
RP1436FC1	R801TA075421MSA	RCF3621STAM	35400 [10.4]	26000 [7.6]	9400 [2.8]	14.00	11.50	1150 [542.7]	34000 [10.0]	3.60	22600 [6.6]	2.60	8.20
RP1436FC1	R801TA075521ZSA	RCF3621STAM	35400 [10.4]	26100 [7.6]	9300 [2.7]	14.00	11.50	1175 [554.5]	34000 [10.0]	3.66	22400 [6.6]	2.66	8.20
RP1436FC1	R801TA075521ZSB	RCF3621STAM	35400 [10.4]	26100 [7.6]	9300 [2.7]	14.00	11.50	1175 [554.5]	34000 [10.0]	3.66	22400 [6.6]	2.66	8.20
RP1436FC1	R801TA075521ZXA	RCF3621STAM	35400 [10.4]	26100 [7.6]	9300 [2.7]	14.00	11.50	1175 [554.5]	34000 [10.0]	3.66	22400 [6.6]	2.66	8.20
RP1436FC1	R801TA075521ZXB	RCF3621STAM	35400 [10.4]	26100 [7.6]	9300 [2.7]	14.00	11.50	1175 [554.5]	34000 [10.0]	3.66	22400 [6.6]	2.66	8.20

[] Designates Metric Conversions

Performance Data @ AHRI Standard Conditions – Heat Pump (con't.)

Note: Ratings contained in this document are subject to change. For up-to-date and expanded ratings, please visit the AHRI web site (www.ahridirectory.org).

R801T: Classic Plus Single-Stage X-13 80% Furnace Ratings

Outdoor Unit	Furnace	Indoor Coil	Total Capacity BTU/H [kW]	Net Sensible BTU/H [kW]	Net Latent BTU/H [kW]	SEER	EER	Indoor CFM [L/s]	47 Degree Heating Capacity BTU/H [kW]	47 Degree COP	17 Degree Heating Capacity [kW]	47 Degree COP	Region IV HSPF
RP1436FC1	R801TA100521ZSA	RCF3621STAM	35400 [10.4]	26100 [7.6]	9300 [2.7]	14.00	11.50	1175 [554.5]	34000 [10.0]	3.66	22400 [6.6]	2.66	8.20
RP1436FC1	R801TA100521ZSB	RCF3621STAM	35400 [10.4]	26100 [7.6]	9300 [2.7]	14.00	11.50	1175 [554.5]	34000 [10.0]	3.66	22400 [6.6]	2.66	8.20
RP1436FC1	R801TA100521ZXA	RCF3621STAM	35400 [10.4]	26100 [7.6]	9300 [2.7]	14.00	11.50	1175 [554.5]	34000 [10.0]	3.66	22400 [6.6]	2.66	8.20
RP1436FC1	R801TA100521ZXB	RCF3621STAM	35400 [10.4]	26100 [7.6]	9300 [2.7]	14.00	11.50	1175 [554.5]	34000 [10.0]	3.66	22400 [6.6]	2.66	8.20
RP1436FC1	R801TB075317ZSB	RCF3617STAM	35200 [10.3]	26000 [7.6]	9200 [2.7]	14.00	11.50	1200 [566.3]	34200 [10.0]	3.54	22600 [6.6]	2.60	8.20
RP1436FC1	R801TB075317ZSB	RCF3621STAM	35200 [10.3]	26000 [7.6]	9200 [2.7]	14.00	11.50	1200 [566.3]	34200 [10.0]	3.60	22600 [6.6]	2.60	8.20
RP1436FC1	R801TB075521ZSB	RCF3621STAM	35200 [10.3]	26000 [7.6]	9200 [2.7]	14.00	11.50	1200 [566.3]	34200 [10.0]	3.54	22600 [6.6]	2.60	8.20
RP1436FC1	R801TB075521ZXB	RCF3621STAM	35400 [10.4]	26100 [7.6]	9300 [2.7]	14.00	11.50	1175 [554.5]	34000 [10.0]	3.66	22400 [6.6]	2.66	8.20
RP1436FC1	R801TB100521ZSB	RCF3621STAM	35400 [10.4]	26100 [7.6]	9300 [2.7]	14.00	11.50	1175 [554.5]	34000 [10.0]	3.66	22400 [6.6]	2.66	8.20
RP1436FC1	R801TB100521ZXB	RCF3621STAM	35400 [10.4]	26100 [7.6]	9300 [2.7]	14.00	11.50	1175 [554.5]	34000 [10.0]	3.66	22400 [6.6]	2.66	8.20
RP1436FC1	R801TA050314MSA	RCF3617STAM	35200 [10.3]	25900 [7.6]	9200 [2.7]	14.00	11.50	1175 [554.5]	34200 [10.0]	3.60	22400 [6.6]	2.60	8.20
RP1436FC1	R801TA050314MXA	RCF3617STAM	35200 [10.3]	26000 [7.6]	9200 [2.7]	14.00	11.50	1200 [566.3]	34200 [10.0]	3.54	22600 [6.6]	2.60	8.20
RP1436FC1	R801TA075317ZSA	RCF3617STAM	35200 [10.3]	26000 [7.6]	9200 [2.7]	14.00	11.50	1200 [566.3]	34200 [10.0]	3.60	22600 [6.6]	2.60	8.20
RP1436FC1	R801TA075317ZSB	RCF3621STAM	35200 [10.3]	26000 [7.6]	9200 [2.7]	14.00	11.50	1200 [566.3]	34200 [10.0]	3.54	22600 [6.6]	2.60	8.20
RP1436FC1	R801TA075317ZXA	RCF3617STAM	35200 [10.3]	26000 [7.6]	9200 [2.7]	14.00	11.50	1200 [566.3]	34200 [10.0]	3.60	22600 [6.6]	2.60	8.20
RP1436FC1	R801TA075317ZXB	RCF3621STAM	35200 [10.3]	26000 [7.6]	9200 [2.7]	14.00	11.50	1200 [566.3]	34200 [10.0]	3.54	22600 [6.6]	2.60	8.20
RP1436FC1	R801TA075417MSA	RCF3617STAM	35600 [10.4]	26600 [7.8]	9000 [2.6]	14.00	11.50	1225 [578.1]	34200 [10.0]	3.60	22600 [6.6]	2.60	8.20
RP1436FC1	R801TA075417MXA	RCF3621STAM	35400 [10.4]	26000 [7.6]	9400 [2.8]	14.00	11.50	1150 [542.7]	34000 [10.0]	3.66	22400 [6.6]	2.66	8.20
RP1436FC1	R801TA075421MSA	RCF3621STAM	35400 [10.4]	26000 [7.6]	9400 [2.8]	14.00	11.50	1150 [542.7]	34000 [10.0]	3.66	22400 [6.6]	2.66	8.20
RP1436FC1	R801TA075421MXA	RCF3621STAM	35400 [10.4]	26000 [7.6]	9400 [2.8]	14.00	11.50	1150 [542.7]	33800 [9.9]	3.66	22400 [6.6]	2.66	8.20
RP1436FC1	R801TA075521ZSA	RCF3621STAM	35400 [10.4]	26100 [7.6]	9300 [2.7]	14.00	11.50	1175 [554.5]	34000 [10.0]	3.66	22400 [6.6]	2.66	8.20
RP1436FC1	R801TA075521ZSB	RCF3621STAM	35400 [10.4]	26100 [7.6]	9300 [2.7]	14.00	11.50	1175 [554.5]	34000 [10.0]	3.66	22400 [6.6]	2.66	8.20
RP1436FC1	R801TA075521ZXA	RCF3621STAM	35400 [10.4]	26100 [7.6]	9300 [2.7]	14.00	11.50	1175 [554.5]	34000 [10.0]	3.66	22400 [6.6]	2.66	8.20
RP1436FC1	R801TA075521ZXB	RCF3621STAM	35400 [10.4]	26100 [7.6]	9300 [2.7]	14.00	11.50	1175 [554.5]	34000 [10.0]	3.66	22400 [6.6]	2.66	8.20
RP1436FC1	R801TA100521ZSA	RCF3621STAM	35400 [10.4]	26100 [7.6]	9300 [2.7]	14.00	11.50	1175 [554.5]	34000 [10.0]	3.66	22400 [6.6]	2.66	8.20
RP1436FC1	R801TA100521ZSB	RCF3621STAM	35400 [10.4]	26100 [7.6]	9300 [2.7]	14.00	11.50	1175 [554.5]	34000 [10.0]	3.66	22400 [6.6]	2.66	8.20
RP1436FC1	R801TA100521ZXA	RCF3621STAM	35400 [10.4]	26100 [7.6]	9300 [2.7]	14.00	11.50	1175 [554.5]	34000 [10.0]	3.66	22400 [6.6]	2.66	8.20
RP1436FC1	R801TA100521ZXB	RCF3621STAM	35400 [10.4]	26100 [7.6]	9300 [2.7]	14.00	11.50	1175 [554.5]	34000 [10.0]	3.66	22400 [6.6]	2.66	8.20

[] Designates Metric Conversions

Performance Data @ AHRI Standard Conditions – Heat Pump (con't.)

Note: Ratings contained in this document are subject to change. For up-to-date and expanded ratings, please visit the AHRI web site (www.ahridirectory.org).

R801T: Classic Plus Single-Stage X-13 80% Furnace Ratings

Outdoor Unit	Furnace	Indoor Coil	Total Capacity BTU/H [kW]	Net Sensible BTU/H [kW]	Net Latent BTU/H [kW]	SEER	EER	Indoor CFM [L/s]	47 Degree Heating Capacity BTU/H [kW]	47 Degree COP	17 Degree Heating Capacity BTU/H [kW]	47 Degree COP	Region IV HSPF
RP1436FJ1	R801TA100521ZXB	RCF3621STAM	35400 [10.4]	26100 [7.6]	9300 [2.7]	14.00	11.50	1175 [554.5]	34000 [10.0]	3.66	22400 [6.6]	2.66	8.20
RP1436FJ1	R801TB075317ZSB	RCF3617STAM	35200 [10.3]	26000 [7.6]	9200 [2.7]	14.00	11.50	1200 [566.3]	34200 [10.0]	3.54	22600 [6.6]	2.60	8.20
RP1436FJ1	R801TB075317ZXB	RCF3617STAM	35200 [10.3]	26000 [7.6]	9200 [2.7]	14.00	11.50	1200 [566.3]	34200 [10.0]	3.60	22600 [6.6]	2.60	8.20
RP1436FJ1	R801TB075317ZXB	RCF3621STAM	35200 [10.3]	26000 [7.6]	9200 [2.7]	14.00	11.50	1200 [566.3]	34200 [10.0]	3.54	22600 [6.6]	2.60	8.20
RP1436FJ1	R801TB075521ZSB	RCF3621STAM	35400 [10.4]	26100 [7.6]	9300 [2.7]	14.00	11.50	1175 [554.5]	34000 [10.0]	3.66	22400 [6.6]	2.66	8.20
RP1436FJ1	R801TB075521ZXB	RCF3621STAM	35400 [10.4]	26100 [7.6]	9300 [2.7]	14.00	11.50	1175 [554.5]	34000 [10.0]	3.66	22400 [6.6]	2.66	8.20
RP1436FJ1	R801TB100521ZSB	RCF3621STAM	35400 [10.4]	26100 [7.6]	9300 [2.7]	14.00	11.50	1175 [554.5]	34000 [10.0]	3.66	22400 [6.6]	2.66	8.20
RP1436FJ1	R801TB100521ZXB	RCF3621STAM	35400 [10.4]	26100 [7.6]	9300 [2.7]	14.00	11.50	1175 [554.5]	34000 [10.0]	3.66	22400 [6.6]	2.66	8.20
RP1442FC1	R801TA075317ZSA	RCF4821STAM	42000 [12.3]	29900 [8.8]	12100 [3.5]	14.00	11.50	1350 [637.1]	40500 [11.9]	3.66	26200 [7.7]	2.54	8.20
RP1442FC1	R801TA075317ZSB	RCF4821STAM	42000 [12.3]	29900 [8.8]	12100 [3.5]	14.00	11.50	1350 [637.1]	40500 [11.9]	3.66	26200 [7.7]	2.54	8.20
RP1442FC1	R801TA075317ZXA	RCF4821STAM	42000 [12.3]	29900 [8.8]	12100 [3.5]	14.00	11.50	1350 [637.1]	40500 [11.9]	3.66	26200 [7.7]	2.54	8.20
RP1442FC1	R801TA075317ZXB	RCF4821STAM	42000 [12.3]	29900 [8.8]	12100 [3.5]	14.00	11.50	1350 [637.1]	40500 [11.9]	3.66	26200 [7.7]	2.54	8.20
RP1442FC1	R801TA075417MSA	RCF4821STAM	42000 [12.3]	29500 [8.6]	12500 [3.7]	14.00	11.50	1275 [601.7]	40000 [11.7]	3.76	25600 [7.5]	2.60	8.20
RP1442FC1	R801TA075417MXA	RCF4821STAM	42000 [12.3]	29500 [8.6]	12500 [3.7]	14.00	11.50	1275 [601.7]	40000 [11.7]	3.76	25600 [7.5]	2.60	8.20
RP1442FC1	R801TA075421MSA	RCF4821STAM	41500 [12.2]	28800 [8.4]	12700 [3.7]	14.00	11.50	1225 [578.1]	39500 [11.6]	3.76	25200 [7.4]	2.60	8.20
RP1442FC1	R801TA075421MXA	RCF4821STAM	41500 [12.2]	28800 [8.4]	12700 [3.7]	14.00	11.50	1225 [578.1]	39500 [11.6]	3.76	25200 [7.4]	2.60	8.20
RP1442FC1	R801TA075521ZSA	RCF4821STAM	41500 [12.2]	28800 [8.4]	12700 [3.7]	14.00	11.50	1225 [578.1]	39500 [11.6]	3.70	25200 [7.4]	2.60	8.20
RP1442FC1	R801TA075521ZSB	RCF4821STAM	41500 [12.2]	28800 [8.4]	12700 [3.7]	14.00	11.50	1225 [578.1]	39500 [11.6]	3.70	25200 [7.4]	2.60	8.20
RP1442FC1	R801TA075521ZXA	RCF4821STAM	41500 [12.2]	28800 [8.4]	12700 [3.7]	14.00	11.50	1225 [578.1]	39500 [11.6]	3.70	25200 [7.4]	2.60	8.20
RP1442FC1	R801TA075521ZXB	RCF4821STAM	41500 [12.2]	28800 [8.4]	12700 [3.7]	14.00	11.50	1225 [578.1]	39500 [11.6]	3.70	25200 [7.4]	2.60	8.20
RP1442FC1	R801TA100521MSA	RCF4821STAM	42000 [12.3]	30100 [8.8]	11900 [3.5]	14.00	11.50	1400 [660.7]	40000 [11.7]	3.76	25600 [7.5]	2.60	8.20
RP1442FC1	R801TA100521MXA	RCF4821STAM	42000 [12.3]	30100 [8.8]	11900 [3.5]	14.00	11.50	1400 [660.7]	40000 [11.7]	3.76	25600 [7.5]	2.60	8.20
RP1442FC1	R801TA100521ZSA	RCF4821STAM	41500 [12.2]	28800 [8.4]	12700 [3.7]	14.00	11.50	1225 [578.1]	39500 [11.6]	3.76	25600 [7.5]	2.60	8.20
RP1442FC1	R801TA100521ZSB	RCF4821STAM	41500 [12.2]	28800 [8.4]	12700 [3.7]	14.00	11.50	1225 [578.1]	39500 [11.6]	3.76	25600 [7.5]	2.60	8.20

[] Designates Metric Conversions

Performance Data @ AHRI Standard Conditions – Heat Pump (con't.)

Note: Ratings contained in this document are subject to change. For up-to-date and expanded ratings, please visit the AHRI web site (www.ahridirectory.org).

R801T: Classic Plus Single-Stage X-13 80% Furnace Ratings

Outdoor Unit	Furnace	Indoor Coil	Total Capacity BTU/H [kW]	Net Sensible BTU/H [kW]	Net Latent BTU/H [kW]	SEER	EER	Indoor CFM [L/s]	47 Degree Heating Capacity [kW]	47 Degree COP	17 Degree Heating Capacity [kW]	47 Degree COP	Region IV HSPF
RP1442FC1	R801TA100521ZXA	RCF4821STAM	41500 [12.2]	28800 [8.4]	12700 [3.7]	14.00	11.50	1225 [578.1]	39500 [11.6]	3.76	25200 [7.4]	2.60	8.20
		RCF4824STAM	41500 [12.2]	28800 [8.4]	12700 [3.7]	14.00	11.50	1225 [578.1]	39500 [11.6]	3.76	25200 [7.4]	2.60	8.20
RP1442FC1	R801TA100521ZXB	RCF4821STAM	41500 [12.2]	28800 [8.4]	12700 [3.7]	14.00	11.50	1225 [578.1]	39500 [11.6]	3.76	25200 [7.4]	2.60	8.20
		RCF4824STAM	41500 [12.2]	28800 [8.4]	12700 [3.7]	14.00	11.50	1225 [578.1]	39500 [11.6]	3.76	25200 [7.4]	2.60	8.20
RP1442FC1	R801TA125524MSA	RCF4824STAM	42000 [12.3]	30100 [8.8]	11900 [3.5]	14.00	11.50	1350 [637.1]	40000 [11.7]	3.80	25600 [7.5]	2.66	8.20
		RCF4821STAM	42000 [12.3]	30100 [8.8]	11900 [3.5]	14.00	11.50	1350 [637.1]	40000 [11.7]	3.80	25600 [7.5]	2.66	8.20
RP1442FC1	R801TA125524ZSA	RCF4824STAM	42000 [12.3]	29900 [8.8]	12100 [3.5]	14.00	11.50	1350 [637.1]	40000 [11.7]	3.76	25800 [7.6]	2.60	8.20
		RCF4821STAM	42000 [12.3]	29900 [8.8]	12100 [3.5]	14.00	11.50	1350 [637.1]	40000 [11.7]	3.76	25800 [7.6]	2.60	8.20
RP1442FC1	R801TA125524ZXA	RCF4824STAM	42000 [12.3]	29900 [8.8]	12100 [3.5]	14.00	11.50	1350 [637.1]	40000 [11.7]	3.76	25800 [7.6]	2.60	8.20
		RCF4821STAM	42000 [12.3]	29900 [8.8]	12100 [3.5]	14.00	11.50	1350 [637.1]	40000 [11.7]	3.76	25800 [7.6]	2.60	8.20
RP1442FC1	R801TB075317ZSB	RCF4821STAM	42000 [12.3]	29900 [8.8]	12100 [3.5]	14.00	11.50	1350 [637.1]	40500 [11.9]	3.66	26200 [7.7]	2.54	8.20
		RCF4824STAM	42000 [12.3]	29900 [8.8]	12100 [3.5]	14.00	11.50	1350 [637.1]	40500 [11.9]	3.66	26200 [7.7]	2.54	8.20
RP1442FC1	R801TB075317ZXB	RCF4821STAM	41500 [12.2]	28800 [8.4]	12700 [3.7]	14.00	11.50	1225 [578.1]	39500 [11.6]	3.70	25200 [7.4]	2.60	8.20
		RCF4824STAM	41500 [12.2]	28800 [8.4]	12700 [3.7]	14.00	11.50	1225 [578.1]	39500 [11.6]	3.70	25200 [7.4]	2.60	8.20
RP1442FC1	R801TB075521ZSB	RCF4821STAM	41500 [12.2]	28800 [8.4]	12700 [3.7]	14.00	11.50	1225 [578.1]	39500 [11.6]	3.70	25200 [7.4]	2.60	8.20
		RCF4824STAM	41500 [12.2]	28800 [8.4]	12700 [3.7]	14.00	11.50	1225 [578.1]	39500 [11.6]	3.70	25200 [7.4]	2.60	8.20
RP1442FC1	R801TB100521ZXB	RCF4821STAM	41500 [12.2]	28800 [8.4]	12700 [3.7]	14.00	11.50	1225 [578.1]	39500 [11.6]	3.76	25200 [7.4]	2.60	8.20
		RCF4824STAM	41500 [12.2]	28800 [8.4]	12700 [3.7]	14.00	11.50	1225 [578.1]	39500 [11.6]	3.76	25200 [7.4]	2.60	8.20
RP1442FC1	R801TB125524ZSB	RCF4824STAM	42000 [12.3]	29900 [8.8]	12100 [3.5]	14.00	11.50	1350 [637.1]	40000 [11.7]	3.76	25800 [7.6]	2.60	8.20
		RCF4821STAM	42000 [12.3]	29900 [8.8]	12100 [3.5]	14.00	11.50	1350 [637.1]	40000 [11.7]	3.76	25800 [7.6]	2.60	8.20
RP1442FC1	R801TB125524ZXB	RCF4824STAM	42000 [12.3]	29900 [8.8]	12100 [3.5]	14.00	11.50	1350 [637.1]	40500 [11.9]	3.66	26200 [7.7]	2.54	8.20
		RCF4821STAM	42000 [12.3]	29900 [8.8]	12100 [3.5]	14.00	11.50	1350 [637.1]	40500 [11.9]	3.66	26200 [7.7]	2.54	8.20
RP1442FC1	R801TA075417ZSA	RCF4821STAM	42000 [12.3]	29900 [8.8]	12500 [3.7]	14.00	11.50	1275 [601.7]	40000 [11.7]	3.76	25600 [7.5]	2.60	8.20
		RCF4824STAM	42000 [12.3]	29900 [8.8]	12500 [3.7]	14.00	11.50	1275 [601.7]	40000 [11.7]	3.76	25600 [7.5]	2.60	8.20
RP1442FC1	R801TA075417MSA	RCF4821STAM	42000 [12.3]	29900 [8.8]	12500 [3.7]	14.00	11.50	1275 [601.7]	40000 [11.7]	3.76	25600 [7.5]	2.60	8.20
		RCF4824STAM	42000 [12.3]	29900 [8.8]	12500 [3.7]	14.00	11.50	1275 [601.7]	40000 [11.7]	3.76	25600 [7.5]	2.60	8.20
RP1442FC1	R801TA075417MXA	RCF4821STAM	41500 [12.2]	28800 [8.4]	12700 [3.7]	14.00	11.50	1225 [578.1]	39500 [11.6]	3.76	25200 [7.4]	2.60	8.20
		RCF4824STAM	41500 [12.2]	28800 [8.4]	12700 [3.7]	14.00	11.50	1225 [578.1]	39500 [11.6]	3.76	25200 [7.4]	2.60	8.20
RP1442FC1	R801TA075421MSA	RCF4821STAM	41500 [12.2]	28800 [8.4]	12700 [3.7]	14.00	11.50	1225 [578.1]	39500 [11.6]	3.76	25200 [7.4]	2.60	8.20
		RCF4824STAM	41500 [12.2]	28800 [8.4]	12700 [3.7]	14.00	11.50	1225 [578.1]	39500 [11.6]	3.76	25200 [7.4]	2.60	8.20
RP1442FC1	R801TA075521ZSA	RCF4821STAM	41500 [12.2]	28800 [8.4]	12700 [3.7]	14.00	11.50	1225 [578.1]	39500 [11.6]	3.70	25200 [7.4]	2.60	8.20
		RCF4824STAM	41500 [12.2]	28800 [8.4]	12700 [3.7]	14.00	11.50	1225 [578.1]	39500 [11.6]	3.70	25200 [7.4]	2.60	8.20

[] Designates Metric Conversions



Air

Performance Data
RP14-F Series

Performance Data @ AHRI Standard Conditions – Heat Pump (con't.)

Note: Ratings contained in this document are subject to change. For up-to-date and expanded ratings, please visit the AHRI web site (www.ahridirectory.org).

R801T: Classic Plus Single-Stage X-13 80% Furnace Ratings

Outdoor Unit	Furnace	Indoor Coil	Total Capacity BTU/H [kW]	Net Sensible BTU/H [kW]	Net Latent BTU/H [kW]	SEER	EER	Indoor CFM [L/s]	47 Degree Heating Capacity BTU/H [kW]	47 Degree COP	17 Degree Heating Capacity BTU/H [kW]	47 Degree COP	Region IV HSPF
RP1442FJ1	R801TA075521ZSB	RCF4821STAM	41500 [12.2]	28800 [8.4]	12700 [3.7]	14.00	11.50	1225 [578.1]	39500 [11.6]	3.70	25200 [7.4]	2.60	8.20
		RCF4824STAM	41500 [12.2]	28800 [8.4]	12700 [3.7]	14.00	11.50	1225 [578.1]	39500 [11.6]	3.70	25200 [7.4]	2.60	8.20
RP1442FJ1	R801TA075521ZXA	RCF4821STAM	41500 [12.2]	28800 [8.4]	12700 [3.7]	14.00	11.50	1225 [578.1]	39500 [11.6]	3.70	25200 [7.4]	2.60	8.20
		RCF4824STAM	41500 [12.2]	28800 [8.4]	12700 [3.7]	14.00	11.50	1225 [578.1]	39500 [11.6]	3.70	25200 [7.4]	2.60	8.20
RP1442FJ1	R801TA075521ZXB	RCF4821STAM	41500 [12.2]	28800 [8.4]	12700 [3.7]	14.00	11.50	1225 [578.1]	39500 [11.6]	3.70	25200 [7.4]	2.60	8.20
		RCF4824STAM	41500 [12.2]	28800 [8.4]	12700 [3.7]	14.00	11.50	1225 [578.1]	39500 [11.6]	3.70	25200 [7.4]	2.60	8.20
RP1442FJ1	R801TA100521MSA	RCF4821STAM	42000 [12.3]	30100 [8.8]	11900 [3.5]	14.00	11.50	1400 [660.7]	40000 [11.7]	3.76	25600 [7.5]	2.60	8.20
		RCF4824STAM	42000 [12.3]	30100 [8.8]	11900 [3.5]	14.00	11.50	1400 [660.7]	40000 [11.7]	3.76	25600 [7.5]	2.60	8.20
RP1442FJ1	R801TA100521MXA	RCF4821STAM	42000 [12.3]	30100 [8.8]	11900 [3.5]	14.00	11.50	1400 [660.7]	40000 [11.7]	3.76	25600 [7.5]	2.60	8.20
		RCF4824STAM	42000 [12.3]	30100 [8.8]	11900 [3.5]	14.00	11.50	1400 [660.7]	40000 [11.7]	3.76	25600 [7.5]	2.60	8.20
RP1442FJ1	R801TA100521ZSA	RCF4821STAM	41500 [12.2]	28800 [8.4]	12700 [3.7]	14.00	11.50	1225 [578.1]	39500 [11.6]	3.76	25200 [7.4]	2.60	8.20
		RCF4824STAM	41500 [12.2]	28800 [8.4]	12700 [3.7]	14.00	11.50	1225 [578.1]	39500 [11.6]	3.76	25200 [7.4]	2.60	8.20
RP1442FJ1	R801TA100521ZSB	RCF4821STAM	41500 [12.2]	28800 [8.4]	12700 [3.7]	14.00	11.50	1225 [578.1]	39500 [11.6]	3.76	25200 [7.4]	2.60	8.20
		RCF4824STAM	41500 [12.2]	28800 [8.4]	12700 [3.7]	14.00	11.50	1225 [578.1]	39500 [11.6]	3.76	25200 [7.4]	2.60	8.20
RP1442FJ1	R801TA100521ZXA	RCF4821STAM	41500 [12.2]	28800 [8.4]	12700 [3.7]	14.00	11.50	1225 [578.1]	39500 [11.6]	3.76	25200 [7.4]	2.60	8.20
		RCF4824STAM	41500 [12.2]	28800 [8.4]	12700 [3.7]	14.00	11.50	1225 [578.1]	39500 [11.6]	3.76	25200 [7.4]	2.60	8.20
RP1442FJ1	R801TA100521ZXB	RCF4821STAM	41500 [12.2]	28800 [8.4]	12700 [3.7]	14.00	11.50	1225 [578.1]	39500 [11.6]	3.76	25200 [7.4]	2.60	8.20
		RCF4824STAM	41500 [12.2]	28800 [8.4]	12700 [3.7]	14.00	11.50	1225 [578.1]	39500 [11.6]	3.76	25200 [7.4]	2.60	8.20
RP1442FJ1	R801TA125524MSA	RCF4821STAM	42000 [12.3]	30100 [8.8]	11900 [3.5]	14.00	11.50	1350 [637.1]	40000 [11.7]	3.80	25600 [7.5]	2.66	8.20
		RCF4824STAM	42000 [12.3]	30100 [8.8]	11900 [3.5]	14.00	11.50	1350 [637.1]	40000 [11.7]	3.80	25600 [7.5]	2.66	8.20
RP1442FJ1	R801TA125524MXA	RCF4821STAM	42000 [12.3]	30100 [8.8]	11900 [3.5]	14.00	11.50	1350 [637.1]	40000 [11.7]	3.80	25600 [7.5]	2.66	8.20
		RCF4824STAM	42000 [12.3]	30100 [8.8]	11900 [3.5]	14.00	11.50	1350 [637.1]	40000 [11.7]	3.80	25600 [7.5]	2.66	8.20
RP1442FJ1	R801TA125524ZSA	RCF4821STAM	42000 [12.3]	29900 [8.8]	12100 [3.5]	14.00	11.50	1350 [637.1]	40000 [11.7]	3.76	25800 [7.6]	2.60	8.20
		RCF4824STAM	42000 [12.3]	29900 [8.8]	12100 [3.5]	14.00	11.50	1350 [637.1]	40000 [11.7]	3.76	25800 [7.6]	2.60	8.20
RP1442FJ1	R801TA125524ZSB	RCF4821STAM	42000 [12.3]	29900 [8.8]	12100 [3.5]	14.00	11.50	1350 [637.1]	40000 [11.7]	3.76	25800 [7.6]	2.60	8.20
		RCF4824STAM	42000 [12.3]	29900 [8.8]	12100 [3.5]	14.00	11.50	1350 [637.1]	40000 [11.7]	3.76	25800 [7.6]	2.60	8.20
RP1442FJ1	R801TB075317ZSB	RCF4821STAM	42000 [12.3]	29900 [8.8]	12100 [3.5]	14.00	11.50	1350 [637.1]	40000 [11.7]	3.76	25800 [7.6]	2.60	8.20
		RCF4824STAM	42000 [12.3]	29900 [8.8]	12100 [3.5]	14.00	11.50	1350 [637.1]	40000 [11.7]	3.76	25800 [7.6]	2.60	8.20
RP1442FJ1	R801TB075317ZXB	RCF4821STAM	42000 [12.3]	29900 [8.8]	12100 [3.5]	14.00	11.50	1350 [637.1]	40500 [11.9]	3.66	26200 [7.7]	2.54	8.20
		RCF4824STAM	42000 [12.3]	29900 [8.8]	12100 [3.5]	14.00	11.50	1350 [637.1]	40500 [11.9]	3.66	26200 [7.7]	2.54	8.20
RP1442FJ1	R801TB075521ZSB	RCF4821STAM	41500 [12.2]	28800 [8.4]	12700 [3.7]	14.00	11.50	1225 [578.1]	39500 [11.6]	3.70	25200 [7.4]	2.60	8.20
		RCF4824STAM	41500 [12.2]	28800 [8.4]	12700 [3.7]	14.00	11.50	1225 [578.1]	39500 [11.6]	3.70	25200 [7.4]	2.60	8.20
RP1442FJ1	R801TB075521ZXB	RCF4821STAM	41500 [12.2]	28800 [8.4]	12700 [3.7]	14.00	11.50	1225 [578.1]	39500 [11.6]	3.70	25200 [7.4]	2.60	8.20
		RCF4824STAM	41500 [12.2]	28800 [8.4]	12700 [3.7]	14.00	11.50	1225 [578.1]	39500 [11.6]	3.70	25200 [7.4]	2.60	8.20
RP1442FJ1	R801TB100521ZSB	RCF4821STAM	41500 [12.2]	28800 [8.4]	12700 [3.7]	14.00	11.50	1225 [578.1]	39500 [11.6]	3.76	25200 [7.4]	2.60	8.20
		RCF4824STAM	41500 [12.2]	28800 [8.4]	12700 [3.7]	14.00	11.50	1225 [578.1]	39500 [11.6]	3.76	25200 [7.4]	2.60	8.20
RP1442FJ1	R801TB100521ZXB	RCF4821STAM	41500 [12.2]	28800 [8.4]	12700 [3.7]	14.00	11.50	1225 [578.1]	39500 [11.6]	3.76	25200 [7.4]	2.60	8.20
		RCF4824STAM	41500 [12.2]	28800 [8.4]	12700 [3.7]	14.00	11.50	1225 [578.1]	39500 [11.6]	3.76	25200 [7.4]	2.60	8.20

[] Designates Metric Conversions



INTEGRATED HOME COMFORT



Air

Performance Data
RP14-F Series

Performance Data @ AHRI Standard Conditions – Heat Pump (con't.)

Note: Ratings contained in this document are subject to change. For up-to-date and expanded ratings, please visit the AHRI web site (www.ahridirectory.org).

R801T: Classic Plus Single-Stage X-13 80% Furnace Ratings													
Outdoor Unit	Furnace	Indoor Coil	Total Capacity BTU/H [kW]	Net Sensible BTU/H [kW]	Net Latent BTU/H [kW]	SEER	EER	Indoor CFM [L/s]	47 Degree Heating Capacity [kW]	47 Degree COP	17 Degree Heating Capacity [kW]	47 Degree COP	Region IV HSPF
RP1442FJ1	R801TB125524ZSB	RCF4824STAM	42000 [12.3]	29900 [8.8]	12100 [3.5]	14.00	11.50	1350 [637.1]	40000 [11.7]	3.76	25800 [7.6]	3.76	8.20
RP1442FJ1	R801TB125524ZXB	RCF4824STAM	42000 [12.3]	29900 [8.8]	12100 [3.5]	14.00	11.50	1350 [637.1]	40000 [11.7]	3.76	25800 [7.6]	3.76	8.20
RP1448FC1	R801TA075417MSA	RCF4821STAM	46000 [13.5]	32600 [9.6]	13400 [3.9]	14.00	11.50	1425 [672.5]	45000 [13.2]	3.60	29000 [8.5]	3.60	8.20
RP1448FC1	R801TA075417MXA	RCF4821STAM	46000 [13.5]	32600 [9.6]	13400 [3.9]	14.00	11.50	1425 [672.5]	45000 [13.2]	3.60	29000 [8.5]	3.60	8.20
RP1448FC1	R801TA075421MSA	RCF4821STAM	46000 [13.5]	32400 [9.5]	13600 [4.0]	14.00	11.50	1400 [660.7]	44500 [13.0]	3.66	28600 [8.4]	3.66	8.20
RP1448FC1	R801TA075421MXA	RCF4821STAM	46000 [13.5]	32400 [9.5]	13600 [4.0]	14.00	11.50	1400 [660.7]	44500 [13.0]	3.66	28600 [8.4]	3.66	8.20
RP1448FC1	R801TA075521ZSA	RCF4821STAM	46000 [13.5]	32400 [9.5]	13600 [4.0]	14.00	11.50	1400 [660.7]	44500 [13.0]	3.66	28600 [8.4]	3.66	8.20
RP1448FC1	R801TA075521ZSB	RCF4821STAM	46000 [13.5]	32400 [9.5]	13600 [4.0]	14.00	11.50	1400 [660.7]	44500 [13.0]	3.66	28600 [8.4]	3.66	8.20
RP1448FC1	R801TA075521ZXA	RCF4821STAM	46000 [13.5]	32400 [9.5]	13600 [4.0]	14.00	11.50	1400 [660.7]	44500 [13.0]	3.66	28600 [8.4]	3.66	8.20
RP1448FC1	R801TA075521ZXB	RCF4821STAM	46000 [13.5]	32400 [9.5]	13600 [4.0]	14.00	11.50	1400 [660.7]	44500 [13.0]	3.66	28600 [8.4]	3.66	8.20
RP1448FC1	R801TA100521MSA	RCF4821STAM	46000 [13.5]	32300 [9.5]	13700 [4.0]	14.00	11.50	1375 [648.9]	44500 [13.0]	3.70	28400 [8.3]	3.70	8.20
RP1448FC1	R801TA100521MXA	RCF4821STAM	46000 [13.5]	32300 [9.5]	13700 [4.0]	14.00	11.50	1375 [648.9]	44500 [13.0]	3.70	28400 [8.3]	3.70	8.20
RP1448FC1	R801TA100521ZSA	RCF4821STAM	46000 [13.5]	32300 [9.5]	13700 [4.0]	14.00	11.50	1375 [648.9]	44500 [13.0]	3.70	28400 [8.3]	3.70	8.20
RP1448FC1	R801TA100521ZSB	RCF4821STAM	46000 [13.5]	32400 [9.5]	13600 [4.0]	14.00	11.50	1400 [660.7]	44500 [13.0]	3.66	28600 [8.4]	3.66	8.20
RP1448FC1	R801TA100521ZXA	RCF4821STAM	46000 [13.5]	32400 [9.5]	13600 [4.0]	14.00	11.50	1400 [660.7]	44500 [13.0]	3.66	28600 [8.4]	3.66	8.20
RP1448FC1	R801TA100521ZXB	RCF4821STAM	46000 [13.5]	32400 [9.5]	13600 [4.0]	14.00	11.50	1400 [660.7]	44500 [13.0]	3.66	28600 [8.4]	3.66	8.20
RP1448FC1	R801TA125524MSA	RCF4824STAM	47000 [13.8]	34700 [10.2]	12300 [3.6]	14.00	11.50	1600 [755.1]	45000 [13.2]	3.60	29200 [8.6]	3.60	8.20
RP1448FC1	R801TA125524MXA	RCF4824STAM	47000 [13.8]	34700 [10.2]	12300 [3.6]	14.00	11.50	1600 [755.1]	45000 [13.2]	3.60	29200 [8.6]	3.60	8.20
RP1448FC1	R801TA125524ZSA	RCF4824STAM	47000 [13.8]	34900 [10.2]	12100 [3.5]	14.00	11.50	1625 [766.9]	45000 [13.2]	3.54	29600 [8.7]	3.54	8.20
RP1448FC1	R801TA125524ZSB	RCF4824STAM	47000 [13.8]	34900 [10.2]	12100 [3.5]	14.00	11.50	1625 [766.9]	45000 [13.2]	3.54	29600 [8.7]	3.54	8.20
RP1448FC1	R801TA125524ZXA	RCF4824STAM	47000 [13.8]	34900 [10.2]	12100 [3.5]	14.00	11.50	1625 [766.9]	45000 [13.2]	3.54	29600 [8.7]	3.54	8.20
RP1448FC1	R801TA125524ZXB	RCF4824STAM	47000 [13.8]	34900 [10.2]	12100 [3.5]	14.00	11.50	1625 [766.9]	45000 [13.2]	3.54	29600 [8.7]	3.54	8.20

[] Designates Metric Conversions



Performance Data @ AHRI Standard Conditions – Heat Pump (con't.)

Note: Ratings contained in this document are subject to change. For up-to-date and expanded ratings, please visit the AHRI web site (www.ahridirectory.org).

RP14-F: Classic Plus Single-Stage X-13 80% Furnace Ratings

Outdoor Unit	Furnace	Indoor Coil	Total Capacity BTU/H [kW]	Net Sensible BTU/H [kW]	Net Latent BTU/H [kW]	SEER	EER	Indoor CFM [L/s]	47 Degree Heating Capacity BTU/H [kW]	47 Degree COP	17 Degree Heating Capacity BTU/H [kW]	47 Degree COP	Region IV HSPF
RP1448FC1	R801TB075521ZSB	RCF4821STAM	46000 [13.5]	32400 [9.5]	13600 [4.0]	14.00	11.50	1400 [660.7]	44500 [13.0]	3.66	28800 [8.4]	2.54	8.20
		RCF4824STAM	46000 [13.5]	32400 [9.5]	13600 [4.0]	14.00	11.50	1400 [660.7]	44500 [13.0]	3.66	28800 [8.4]	2.54	8.20
RP1448FC1	R801TB075521ZXB	RCF4821STAM	46000 [13.5]	32400 [9.5]	13600 [4.0]	14.00	11.50	1400 [660.7]	44500 [13.0]	3.66	28800 [8.4]	2.54	8.20
		RCF4824STAM	46000 [13.5]	32400 [9.5]	13600 [4.0]	14.00	11.50	1400 [660.7]	44500 [13.0]	3.66	28800 [8.4]	2.54	8.20
RP1448FC1	R801TB100521ZSB	RCF4821STAM	46000 [13.5]	32400 [9.5]	13600 [4.0]	14.00	11.50	1400 [660.7]	44500 [13.0]	3.66	28600 [8.4]	2.54	8.20
		RCF4824STAM	46000 [13.5]	32400 [9.5]	13600 [4.0]	14.00	11.50	1400 [660.7]	44500 [13.0]	3.66	28600 [8.4]	2.54	8.20
RP1448FC1	R801TB100521ZXB	RCF4821STAM	46000 [13.5]	32400 [9.5]	13600 [4.0]	14.00	11.50	1400 [660.7]	44500 [13.0]	3.66	28600 [8.4]	2.54	8.20
		RCF4824STAM	46000 [13.5]	32400 [9.5]	13600 [4.0]	14.00	11.50	1400 [660.7]	44500 [13.0]	3.66	28600 [8.4]	2.54	8.20
RP1448FC1	R801TB125524ZSB	RCF4824STAM	47000 [13.8]	34900 [10.2]	12100 [3.5]	14.00	11.50	1625 [766.9]	45000 [13.2]	3.54	29600 [8.7]	2.50	8.20
		RCF4821STAM	47000 [13.8]	34900 [10.2]	12100 [3.5]	14.00	11.50	1625 [766.9]	45000 [13.2]	3.54	29600 [8.7]	2.50	8.20
RP1448FJ1	R801TA075417MSA	RCF4821STAM	46000 [13.5]	32600 [9.6]	13400 [3.9]	14.00	11.50	1425 [672.5]	45000 [13.2]	3.60	29000 [8.5]	2.54	8.20
		RCF4824STAM	46000 [13.5]	32600 [9.6]	13400 [3.9]	14.00	11.50	1425 [672.5]	45000 [13.2]	3.60	29000 [8.5]	2.54	8.20
RP1448FJ1	R801TA075417MXA	RCF4821STAM	46000 [13.5]	32400 [9.5]	13600 [4.0]	14.00	11.50	1400 [660.7]	44500 [13.0]	3.66	28600 [8.4]	2.54	8.20
		RCF4824STAM	46000 [13.5]	32400 [9.5]	13600 [4.0]	14.00	11.50	1400 [660.7]	44500 [13.0]	3.66	28600 [8.4]	2.54	8.20
RP1448FJ1	R801TA075421MSA	RCF4821STAM	46000 [13.5]	32400 [9.5]	13600 [4.0]	14.00	11.50	1400 [660.7]	44500 [13.0]	3.66	28600 [8.4]	2.54	8.20
		RCF4824STAM	46000 [13.5]	32400 [9.5]	13600 [4.0]	14.00	11.50	1400 [660.7]	44500 [13.0]	3.66	28600 [8.4]	2.54	8.20
RP1448FJ1	R801TA075521ZSA	RCF4821STAM	46000 [13.5]	32400 [9.5]	13600 [4.0]	14.00	11.50	1400 [660.7]	44500 [13.0]	3.66	28800 [8.4]	2.54	8.20
		RCF4824STAM	46000 [13.5]	32400 [9.5]	13600 [4.0]	14.00	11.50	1400 [660.7]	44500 [13.0]	3.66	28800 [8.4]	2.54	8.20
RP1448FJ1	R801TA075521ZSB	RCF4821STAM	46000 [13.5]	32400 [9.5]	13600 [4.0]	14.00	11.50	1400 [660.7]	44500 [13.0]	3.66	28800 [8.4]	2.54	8.20
		RCF4824STAM	46000 [13.5]	32400 [9.5]	13600 [4.0]	14.00	11.50	1400 [660.7]	44500 [13.0]	3.66	28800 [8.4]	2.54	8.20
RP1448FJ1	R801TA075521ZXA	RCF4821STAM	46000 [13.5]	32400 [9.5]	13600 [4.0]	14.00	11.50	1400 [660.7]	44500 [13.0]	3.66	28800 [8.4]	2.54	8.20
		RCF4824STAM	46000 [13.5]	32400 [9.5]	13600 [4.0]	14.00	11.50	1400 [660.7]	44500 [13.0]	3.66	28800 [8.4]	2.54	8.20
RP1448FJ1	R801TA075521ZXB	RCF4821STAM	46000 [13.5]	32400 [9.5]	13600 [4.0]	14.00	11.50	1400 [660.7]	44500 [13.0]	3.66	28800 [8.4]	2.54	8.20
		RCF4824STAM	46000 [13.5]	32400 [9.5]	13600 [4.0]	14.00	11.50	1400 [660.7]	44500 [13.0]	3.66	28800 [8.4]	2.54	8.20
RP1448FJ1	R801TA100521MSA	RCF4821STAM	46000 [13.5]	32300 [9.5]	13700 [4.0]	14.00	11.50	1375 [648.9]	44500 [13.0]	3.70	28400 [8.3]	2.54	8.20
		RCF4824STAM	46000 [13.5]	32300 [9.5]	13700 [4.0]	14.00	11.50	1375 [648.9]	44500 [13.0]	3.70	28400 [8.3]	2.54	8.20
RP1448FJ1	R801TA100521MXA	RCF4821STAM	46000 [13.5]	32300 [9.5]	13700 [4.0]	14.00	11.50	1375 [648.9]	44500 [13.0]	3.70	28400 [8.3]	2.54	8.20
		RCF4824STAM	46000 [13.5]	32300 [9.5]	13700 [4.0]	14.00	11.50	1375 [648.9]	44500 [13.0]	3.70	28400 [8.3]	2.54	8.20
RP1448FJ1	R801TA100521ZSA	RCF4821STAM	46000 [13.5]	32400 [9.5]	13600 [4.0]	14.00	11.50	1400 [660.7]	44500 [13.0]	3.66	28600 [8.4]	2.54	8.20
		RCF4824STAM	46000 [13.5]	32400 [9.5]	13600 [4.0]	14.00	11.50	1400 [660.7]	44500 [13.0]	3.66	28600 [8.4]	2.54	8.20
RP1448FJ1	R801TA100521ZSB	RCF4821STAM	46000 [13.5]	32400 [9.5]	13600 [4.0]	14.00	11.50	1400 [660.7]	44500 [13.0]	3.66	28600 [8.4]	2.54	8.20
		RCF4824STAM	46000 [13.5]	32400 [9.5]	13600 [4.0]	14.00	11.50	1400 [660.7]	44500 [13.0]	3.66	28600 [8.4]	2.54	8.20
RP1448FJ1	R801TA100521ZXA	RCF4821STAM	46000 [13.5]	32400 [9.5]	13600 [4.0]	14.00	11.50	1400 [660.7]	44500 [13.0]	3.66	28600 [8.4]	2.54	8.20
		RCF4824STAM	46000 [13.5]	32400 [9.5]	13600 [4.0]	14.00	11.50	1400 [660.7]	44500 [13.0]	3.66	28600 [8.4]	2.54	8.20

[] Designates Metric Conversions



Air

Performance Data
RP14-F Series

Performance Data @ AHRI Standard Conditions – Heat Pump (con't.)

Note: Ratings contained in this document are subject to change. For up-to-date and expanded ratings, please visit the AHRI web site (www.ahridirectory.org).

R801T: Classic Plus Single-Stage X-13 80% Furnace Ratings

Outdoor Unit	Furnace	Indoor Coil	Total Capacity BTU/H [kW]	Net Sensible BTU/H [kW]	Net Latent BTU/H [kW]	SEER	EER	Indoor CFM [L/s]	47 Degree Heating Capacity BTU/H [kW]	47 Degree COP	17 Degree Heating Capacity BTU/H [kW]	47 Degree COP	Region IV HSPF
RP1448FJ1	R801TA100521ZXB	RCF4821STAM	46000 [13.5]	32400 [9.5]	13600 [4.0]	14.00	11.50	1400 [660.7]	44500 [13.0]	3.66	28600 [8.4]	3.66	8.20
RP1448FJ1	R801TA125524MSA	RCF4824STAM	46000 [13.5]	32400 [9.5]	13600 [4.0]	14.00	11.50	1400 [660.7]	44500 [13.0]	3.66	28600 [8.4]	3.66	8.20
RP1448FJ1	R801TA125524MXA	RCF4824STAM	47000 [13.8]	34700 [10.2]	12300 [3.6]	14.00	11.50	1600 [755.1]	45000 [13.2]	3.60	29200 [8.6]	3.60	8.20
RP1448FJ1	R801TA125524ZSA	RCF4824STAM	47000 [13.8]	34700 [10.2]	12300 [3.6]	14.00	11.50	1600 [755.1]	45000 [13.2]	3.60	29200 [8.6]	3.60	8.20
RP1448FJ1	R801TA125524ZSB	RCF4824STAM	47000 [13.8]	34900 [10.2]	12100 [3.5]	14.00	11.50	1625 [766.9]	45000 [13.2]	3.54	29600 [8.7]	3.54	8.20
RP1448FJ1	R801TA125524ZXA	RCF4824STAM	47000 [13.8]	34900 [10.2]	12100 [3.5]	14.00	11.50	1625 [766.9]	45000 [13.2]	3.54	29600 [8.7]	3.54	8.20
RP1448FJ1	R801TA125524ZXB	RCF4824STAM	47000 [13.8]	34900 [10.2]	12100 [3.5]	14.00	11.50	1625 [766.9]	45000 [13.2]	3.54	29600 [8.7]	3.54	8.20
RP1448FJ1	R801TB075521ZSB	RCF4821STAM	46000 [13.5]	32400 [9.5]	13600 [4.0]	14.00	11.50	1400 [660.7]	44500 [13.0]	3.66	28800 [8.4]	3.66	8.20
RP1448FJ1	R801TB075521ZXB	RCF4824STAM	46000 [13.5]	32400 [9.5]	13600 [4.0]	14.00	11.50	1400 [660.7]	44500 [13.0]	3.66	28800 [8.4]	3.66	8.20
RP1448FJ1	R801TB100521ZSB	RCF4821STAM	46000 [13.5]	32400 [9.5]	13600 [4.0]	14.00	11.50	1400 [660.7]	44500 [13.0]	3.66	28800 [8.4]	3.66	8.20
RP1448FJ1	R801TB100521ZXB	RCF4824STAM	46000 [13.5]	32400 [9.5]	13600 [4.0]	14.00	11.50	1400 [660.7]	44500 [13.0]	3.66	28800 [8.4]	3.66	8.20
RP1448FJ1	R801TB125524ZSB	RCF4824STAM	47000 [13.8]	34900 [10.2]	12100 [3.5]	14.00	11.50	1625 [766.9]	45000 [13.2]	3.54	29600 [8.7]	3.54	8.20
RP1448FJ1	R801TB125524ZXB	RCF4824STAM	47000 [13.8]	34900 [10.2]	12100 [3.5]	14.00	11.50	1625 [766.9]	45000 [13.2]	3.54	29600 [8.7]	3.54	8.20
RP1460FC1	R801TA075421MSA	RCF6024HTAM	57000 [16.7]	40200 [11.8]	16800 [4.9]	14.00	11.50	1650 [778.7]	55500 [16.3]	3.70	35200 [10.3]	3.70	8.20
RP1460FC1	R801TA075421MXA	RCF6024STAM	57000 [16.7]	40200 [11.8]	16800 [4.9]	14.00	11.50	1650 [778.7]	55500 [16.3]	3.70	35200 [10.3]	3.70	8.20
RP1460FC1	R801TA075521ZSA	RCF6024HTAM	57000 [16.7]	40600 [11.9]	16400 [4.8]	14.00	11.50	1700 [802.3]	56500 [16.6]	3.70	35800 [10.5]	3.70	8.20
RP1460FC1	R801TA075521ZSB	RCF6024STAM	57000 [16.7]	40600 [11.9]	16400 [4.8]	14.00	11.50	1700 [802.3]	56500 [16.6]	3.70	35800 [10.5]	3.70	8.20
RP1460FC1	R801TA075521ZXA	RCF6024HTAM	57000 [16.7]	40600 [11.9]	16400 [4.8]	14.00	11.50	1700 [802.3]	56500 [16.6]	3.70	35800 [10.5]	3.70	8.20
RP1460FC1	R801TA075521ZXB	RCF6024STAM	57000 [16.7]	40600 [11.9]	16400 [4.8]	14.00	11.50	1700 [802.3]	56500 [16.6]	3.70	35800 [10.5]	3.70	8.20
RP1460FC1	R801TA100521MSA	RCF6024HTAM	58000 [17.0]	42600 [12.5]	15400 [4.5]	14.00	11.50	1825 [861.3]	56500 [16.6]	3.76	36000 [10.6]	3.76	8.20
RP1460FC1	R801TA100521MXA	RCF6024STAM	58000 [17.0]	42600 [12.5]	15400 [4.5]	14.00	11.50	1825 [861.3]	56500 [16.6]	3.76	36000 [10.6]	3.76	8.20
RP1460FC1		RCF6024STAM	58000 [17.0]	42600 [12.5]	15400 [4.5]	14.00	11.50	1825 [861.3]	56500 [16.6]	3.76	36000 [10.6]	3.76	8.20

[] Designates Metric Conversions



Performance Data @ AHRI Standard Conditions – Heat Pump (con't.)

Note: Ratings contained in this document are subject to change. For up-to-date and expanded ratings, please visit the AHRI web site (www.ahridirectory.org).

R801T: Classic Plus Single-Stage X-13 80% Furnace Ratings

Outdoor Unit	Furnace	Indoor Coil	Total Capacity BTU/H [kW]	Net Sensible BTU/H [kW]	Net Latent BTU/H [kW]	SEER	EER	Indoor CFM [L/s]	47 Degree Heating Capacity BTU/H [kW]	47 Degree COP	17 Degree Heating Capacity BTU/H [kW]	47 Degree COP	Region IV HSPF
RP1460FC1	R801TA100521ZSA	RCF6024HTAM	57000 [16.7]	40600 [11.9]	16400 [4.8]	14.00	11.50	1700 [802.3]	56500 [16.6]	3.76	35600 [10.4]	2.60	8.20
RP1460FC1	R801TA100521ZSB	RCF6024HTAM	57000 [16.7]	40600 [11.9]	16400 [4.8]	14.00	11.50	1700 [802.3]	56500 [16.6]	3.76	35600 [10.4]	2.60	8.20
RP1460FC1	R801TA100521ZXA	RCF6024HTAM	57000 [16.7]	40600 [11.9]	16400 [4.8]	14.00	11.50	1700 [802.3]	56500 [16.6]	3.76	35600 [10.4]	2.60	8.20
RP1460FC1	R801TA100521ZXB	RCF6024HTAM	57000 [16.7]	40600 [11.9]	16400 [4.8]	14.00	11.50	1700 [802.3]	56500 [16.6]	3.76	35600 [10.4]	2.60	8.20
RP1460FC1	R801TA125524MISA	RCF6024HTAM	57500 [16.9]	41500 [12.2]	16000 [4.7]	14.00	11.50	1750 [825.9]	56000 [16.4]	3.80	35800 [10.5]	2.66	8.20
RP1460FC1	R801TA125524MIXA	RCF6024HTAM	57500 [16.9]	41500 [12.2]	16000 [4.7]	14.00	11.50	1750 [825.9]	56000 [16.4]	3.80	35800 [10.5]	2.66	8.20
RP1460FC1	R801TA125524ZSA	RCF6024HTAM	57000 [16.7]	40400 [11.8]	16600 [4.9]	14.00	11.50	1675 [790.5]	56000 [16.4]	3.76	35400 [10.4]	2.60	8.20
RP1460FC1	R801TA125524ZSB	RCF6024HTAM	57000 [16.7]	40400 [11.8]	16600 [4.9]	14.00	11.50	1675 [790.5]	56000 [16.4]	3.76	35400 [10.4]	2.60	8.20
RP1460FC1	R801TA125524ZXA	RCF6024HTAM	57000 [16.7]	40400 [11.8]	16600 [4.9]	14.00	11.50	1675 [790.5]	56000 [16.4]	3.76	35400 [10.4]	2.60	8.20
RP1460FC1	R801TA125524ZXB	RCF6024HTAM	57000 [16.7]	40400 [11.8]	16600 [4.9]	14.00	11.50	1675 [790.5]	56000 [16.4]	3.76	35400 [10.4]	2.60	8.20
RP1460FC1	R801TB075521ZSB	RCF6024STAM	57000 [16.7]	40600 [11.9]	16400 [4.8]	14.00	11.50	1700 [802.3]	56500 [16.6]	3.70	35800 [10.5]	2.54	8.20
RP1460FC1	R801TB075521ZXB	RCF6024STAM	57000 [16.7]	40600 [11.9]	16400 [4.8]	14.00	11.50	1700 [802.3]	56500 [16.6]	3.70	35800 [10.5]	2.54	8.20
RP1460FC1	R801TB100521ZSB	RCF6024STAM	57000 [16.7]	40600 [11.9]	16400 [4.8]	14.00	11.50	1700 [802.3]	56500 [16.6]	3.70	35800 [10.5]	2.54	8.20
RP1460FC1	R801TB100521ZXB	RCF6024STAM	57000 [16.7]	40600 [11.9]	16400 [4.8]	14.00	11.50	1700 [802.3]	56500 [16.6]	3.70	35800 [10.5]	2.54	8.20
RP1460FC1	R801TB100521ZXA	RCF6024STAM	57000 [16.7]	40600 [11.9]	16400 [4.8]	14.00	11.50	1700 [802.3]	56500 [16.6]	3.70	35800 [10.5]	2.54	8.20
RP1460FC1	R801TB100521ZXB	RCF6024STAM	57000 [16.7]	40600 [11.9]	16400 [4.8]	14.00	11.50	1700 [802.3]	56500 [16.6]	3.70	35800 [10.5]	2.54	8.20
RP1460FC1	R801TB125524ZSB	RCF6024STAM	57000 [16.7]	40400 [11.8]	16600 [4.9]	14.00	11.50	1675 [790.5]	56000 [16.4]	3.76	35400 [10.4]	2.60	8.20
RP1460FC1	R801TB125524ZXA	RCF6024STAM	57000 [16.7]	40400 [11.8]	16600 [4.9]	14.00	11.50	1675 [790.5]	56000 [16.4]	3.76	35400 [10.4]	2.60	8.20
RP1460FJ1	R801TA075421MISA	RCF6024HTAM	57000 [16.7]	40200 [11.8]	16800 [4.9]	14.00	11.50	1650 [778.7]	55500 [16.3]	3.70	35200 [10.3]	2.60	8.20
RP1460FJ1	R801TA075421MIXA	RCF6024HTAM	57000 [16.7]	40200 [11.8]	16800 [4.9]	14.00	11.50	1650 [778.7]	55500 [16.3]	3.70	35200 [10.3]	2.60	8.20

[J] Designates Metric Conversions

Performance Data @ AHRI Standard Conditions – Heat Pump (con't.)

Note: Ratings contained in this document are subject to change. For up-to-date and expanded ratings, please visit the AHRI web site (www.ahridirectory.org).

R801T: Classic Plus Single-Stage X-13 80% Furnace Ratings

Outdoor Unit	Furnace	Indoor Coil	Total Capacity BTU/H [kW]	Net Sensible BTU/H [kW]	Net Latent BTU/H [kW]	SEER	EER	Indoor CFM [L/s]	47 Degree Heating Capacity [kW]	47 Degree COP	17 Degree Heating Capacity [kW]	47 Degree COP	Region IV HSPF
RP1460FJ1	R801TA075421MXA	RCF6024HTAM	57000 [16.7]	40200 [11.8]	16800 [4.9]	14.00	11.50	1650 [778.7]	55500 [16.3]	3.70	35200 [10.3]	2.60	8.20
		RCF6024STAM	57000 [16.7]	40200 [11.8]	16800 [4.9]	14.00	11.50	1650 [778.7]	55500 [16.3]	3.70	35200 [10.3]	2.60	8.20
RP1460FJ1	R801TA075521ZSA	RCF6024HTAM	57000 [16.7]	40600 [11.9]	16400 [4.8]	14.00	11.50	1700 [802.3]	56500 [16.6]	3.70	35800 [10.5]	2.54	8.20
		RCF6024STAM	57000 [16.7]	40600 [11.9]	16400 [4.8]	14.00	11.50	1700 [802.3]	56500 [16.6]	3.70	35800 [10.5]	2.54	8.20
RP1460FJ1	R801TA075521ZSB	RCF6024HTAM	57000 [16.7]	40600 [11.9]	16400 [4.8]	14.00	11.50	1700 [802.3]	56500 [16.6]	3.70	35800 [10.5]	2.54	8.20
		RCF6024STAM	57000 [16.7]	40600 [11.9]	16400 [4.8]	14.00	11.50	1700 [802.3]	56500 [16.6]	3.70	35800 [10.5]	2.54	8.20
RP1460FJ1	R801TA075521ZXA	RCF6024HTAM	57000 [16.7]	40600 [11.9]	16400 [4.8]	14.00	11.50	1700 [802.3]	56500 [16.6]	3.70	35800 [10.5]	2.54	8.20
		RCF6024STAM	57000 [16.7]	40600 [11.9]	16400 [4.8]	14.00	11.50	1700 [802.3]	56500 [16.6]	3.70	35800 [10.5]	2.54	8.20
RP1460FJ1	R801TA075521ZXB	RCF6024HTAM	57000 [16.7]	40600 [11.9]	16400 [4.8]	14.00	11.50	1700 [802.3]	56500 [16.6]	3.70	35800 [10.5]	2.54	8.20
		RCF6024STAM	57000 [16.7]	40600 [11.9]	16400 [4.8]	14.00	11.50	1700 [802.3]	56500 [16.6]	3.70	35800 [10.5]	2.54	8.20
RP1460FJ1	R801TA100521MSA	RCF6024HTAM	58000 [17.0]	42600 [12.5]	15400 [4.5]	14.00	11.50	1825 [861.3]	56500 [16.6]	3.76	36000 [10.6]	2.66	8.20
		RCF6024STAM	58000 [17.0]	42600 [12.5]	15400 [4.5]	14.00	11.50	1825 [861.3]	56500 [16.6]	3.76	36000 [10.6]	2.66	8.20
RP1460FJ1	R801TA100521MXA	RCF6024HTAM	58000 [17.0]	42600 [12.5]	15400 [4.5]	14.00	11.50	1825 [861.3]	56500 [16.6]	3.76	36000 [10.6]	2.66	8.20
		RCF6024STAM	58000 [17.0]	42600 [12.5]	15400 [4.5]	14.00	11.50	1825 [861.3]	56500 [16.6]	3.76	36000 [10.6]	2.66	8.20
RP1460FJ1	R801TA100521ZSA	RCF6024HTAM	57000 [16.7]	40600 [11.9]	16400 [4.8]	14.00	11.50	1700 [802.3]	56500 [16.6]	3.76	35600 [10.4]	2.60	8.20
		RCF6024STAM	57000 [16.7]	40600 [11.9]	16400 [4.8]	14.00	11.50	1700 [802.3]	56500 [16.6]	3.76	35600 [10.4]	2.60	8.20
RP1460FJ1	R801TA100521ZSB	RCF6024HTAM	57000 [16.7]	40600 [11.9]	16400 [4.8]	14.00	11.50	1700 [802.3]	56500 [16.6]	3.76	35600 [10.4]	2.60	8.20
		RCF6024STAM	57000 [16.7]	40600 [11.9]	16400 [4.8]	14.00	11.50	1700 [802.3]	56500 [16.6]	3.76	35600 [10.4]	2.60	8.20
RP1460FJ1	R801TA100521ZXA	RCF6024HTAM	57000 [16.7]	40600 [11.9]	16400 [4.8]	14.00	11.50	1700 [802.3]	56500 [16.6]	3.76	35600 [10.4]	2.60	8.20
		RCF6024STAM	57000 [16.7]	40600 [11.9]	16400 [4.8]	14.00	11.50	1700 [802.3]	56500 [16.6]	3.76	35600 [10.4]	2.60	8.20
RP1460FJ1	R801TA100521ZXB	RCF6024HTAM	57000 [16.7]	40600 [11.9]	16400 [4.8]	14.00	11.50	1700 [802.3]	56500 [16.6]	3.76	35600 [10.4]	2.60	8.20
		RCF6024STAM	57000 [16.7]	40600 [11.9]	16400 [4.8]	14.00	11.50	1700 [802.3]	56500 [16.6]	3.76	35600 [10.4]	2.60	8.20
RP1460FJ1	R801TA125524MSA	RCF6024HTAM	57500 [16.9]	41500 [12.2]	16000 [4.7]	14.00	11.50	1750 [825.9]	56000 [16.4]	3.80	35800 [10.5]	2.66	8.20
		RCF6024STAM	57500 [16.9]	41500 [12.2]	16000 [4.7]	14.00	11.50	1750 [825.9]	56000 [16.4]	3.80	35800 [10.5]	2.66	8.20
RP1460FJ1	R801TA125524MXA	RCF6024HTAM	57500 [16.9]	41500 [12.2]	16000 [4.7]	14.00	11.50	1750 [825.9]	56000 [16.4]	3.80	35800 [10.5]	2.66	8.20
		RCF6024STAM	57500 [16.9]	41500 [12.2]	16000 [4.7]	14.00	11.50	1750 [825.9]	56000 [16.4]	3.80	35800 [10.5]	2.66	8.20
RP1460FJ1	R801TA125524ZSA	RCF6024HTAM	57000 [16.7]	40400 [11.8]	16600 [4.9]	14.00	11.50	1675 [790.5]	56000 [16.4]	3.76	35400 [10.4]	2.60	8.20
		RCF6024STAM	57000 [16.7]	40400 [11.8]	16600 [4.9]	14.00	11.50	1675 [790.5]	56000 [16.4]	3.76	35400 [10.4]	2.60	8.20
RP1460FJ1	R801TA125524ZSB	RCF6024HTAM	57000 [16.7]	40400 [11.8]	16600 [4.9]	14.00	11.50	1675 [790.5]	56000 [16.4]	3.76	35400 [10.4]	2.60	8.20
		RCF6024STAM	57000 [16.7]	40400 [11.8]	16600 [4.9]	14.00	11.50	1675 [790.5]	56000 [16.4]	3.76	35400 [10.4]	2.60	8.20
RP1460FJ1	R801TA125524ZXA	RCF6024HTAM	57000 [16.7]	40400 [11.8]	16600 [4.9]	14.00	11.50	1675 [790.5]	56000 [16.4]	3.76	35400 [10.4]	2.60	8.20
		RCF6024STAM	57000 [16.7]	40400 [11.8]	16600 [4.9]	14.00	11.50	1675 [790.5]	56000 [16.4]	3.76	35400 [10.4]	2.60	8.20
RP1460FJ1	R801TA125524ZXB	RCF6024HTAM	57000 [16.7]	40400 [11.8]	16600 [4.9]	14.00	11.50	1675 [790.5]	56000 [16.4]	3.76	35400 [10.4]	2.60	8.20
		RCF6024STAM	57000 [16.7]	40400 [11.8]	16600 [4.9]	14.00	11.50	1675 [790.5]	56000 [16.4]	3.76	35400 [10.4]	2.60	8.20

[] Designates Metric Conversions

Performance Data @ AHRI Standard Conditions – Heat Pump (con't.)

Note: Ratings contained in this document are subject to change. For up-to-date and expanded ratings, please visit the AHRI web site (www.ahridirectory.org).

R801T: Classic Plus Single-Stage X-13 80% Furnace Ratings

Outdoor Unit	Furnace	Indoor Coil	Total Capacity BTU/H [kW]	Net Sensible BTU/H [kW]	Net Latent BTU/H [kW]	SEER	EER	Indoor CFM [L/s]	47 Degree Heating Capacity BTU/H [kW]	47 Degree COP	17 Degree Heating Capacity BTU/H [kW]	47 Degree COP	Region IV HSPF
RP1460FJ1	R801TB075521ZSB	RCF6024HTAM RCF6024STAM	57000 [16.7]	40600 [11.9]	16400 [4.8]	14.00	11.50	1700 [802.3]	56500 [16.6]	3.70	35800 [10.5]	2.54	8.20
RP1460FJ1	R801TB075521ZXB	RCF6024HTAM RCF6024STAM	57000 [16.7]	40600 [11.9]	16400 [4.8]	14.00	11.50	1700 [802.3]	56500 [16.6]	3.70	35800 [10.5]	2.54	8.20
RP1460FJ1	R801TB100521ZSB	RCF6024HTAM RCF6024STAM	57000 [16.7]	40600 [11.9]	16400 [4.8]	14.00	11.50	1700 [802.3]	56500 [16.6]	3.76	35600 [10.4]	2.60	8.20
RP1460FJ1	R801TB100521ZXB	RCF6024HTAM RCF6024STAM	57000 [16.7]	40600 [11.9]	16400 [4.8]	14.00	11.50	1700 [802.3]	56500 [16.6]	3.76	35600 [10.4]	2.60	8.20
RP1460FJ1	R801TB125524ZSB	RCF6024HTAM RCF6024STAM	57000 [16.7]	40400 [11.8]	16600 [4.9]	14.00	11.50	1675 [790.5]	56000 [16.4]	3.76	35400 [10.4]	2.60	8.20
RP1460FJ1	R801TB125524ZXB	RCF6024HTAM RCF6024STAM	57000 [16.7]	40400 [11.8]	16600 [4.9]	14.00	11.50	1675 [790.5]	56000 [16.4]	3.76	35400 [10.4]	2.60	8.20

[J] Designates Metric Conversions

Performance Data @ AHRI Standard Conditions – Heat Pump (con't.)

Note: Ratings contained in this document are subject to change. For up-to-date and expanded ratings, please visit the AHRI web site (www.ahridirectory.org).

R802V: Prestige 2-Stage 80% ECM Furnace Ratings													
Outdoor Unit	Furnace	Indoor Coil	Total Capacity BTU/H [kW]	Net Sensible BTU/H [kW]	Net Latent BTU/H [kW]	SEER	EER	Indoor CFM [L/s]	47 Degree Heating Capacity [kW]	47 Degree COP	17 Degree Heating Capacity [kW]	47 Degree COP	Region IV HSPF
RP1418FJ1	R802VA050317MSA	RCF2417STAM	18000 [5.3]	14000 [4.1]	4000 [1.2]	14.00	11.50	650 [306.8]	15800 [4.6]	3.60	9200 [2.7]	2.34	8.20
RP1418FJ1	R802VA050317MXA	RCF2417STAM	18000 [5.3]	14000 [4.1]	4000 [1.2]	14.00	11.50	650 [306.8]	15800 [4.6]	3.60	9200 [2.7]	2.34	8.20
RP1418FJ1	R802VA075317MSA	RCF2417STAM	18000 [5.3]	14000 [4.1]	4000 [1.2]	16.00	13.00	675 [318.6]	15800 [4.6]	3.60	9200 [2.7]	2.40	9.00
RP1418FJ1	R802VA075317MXA	RCF2417STAM	18000 [5.3]	14000 [4.1]	4000 [1.2]	16.00	13.00	675 [318.6]	15800 [4.6]	3.60	9200 [2.7]	2.40	9.00
RP1418FJ1	R802VA075317ZSA	RCF2417STAM	18000 [5.3]	14000 [4.1]	4000 [1.2]	14.00	11.50	675 [318.6]	15800 [4.6]	3.60	9200 [2.7]	2.34	8.20
RP1418FJ1	R802VA075317ZSB	RCF2417STAM	18000 [5.3]	14000 [4.1]	4000 [1.2]	14.00	11.50	675 [318.6]	15800 [4.6]	3.60	9200 [2.7]	2.34	8.20
RP1418FJ1	R802VA075317ZXA	RCF2417STAM	18000 [5.3]	14000 [4.1]	4000 [1.2]	14.00	11.50	675 [318.6]	15800 [4.6]	3.60	9200 [2.7]	2.34	8.20
RP1418FJ1	R802VA075317ZXB	RCF2417STAM	18000 [5.3]	14000 [4.1]	4000 [1.2]	14.00	11.50	675 [318.6]	15800 [4.6]	3.60	9200 [2.7]	2.34	8.20
RP1418FJ1	R802VB075317ZSB	RCF2417STAM	18000 [5.3]	14000 [4.1]	4000 [1.2]	14.00	11.50	675 [318.6]	15800 [4.6]	3.60	9200 [2.7]	2.34	8.20
RP1418FJ1	R802VB075317ZXB	RCF2417STAM	18000 [5.3]	14000 [4.1]	4000 [1.2]	14.00	11.50	675 [318.6]	15800 [4.6]	3.60	9200 [2.7]	2.34	8.20
RP1424FJ1	R802VA050317MSA	RCF2417STAM	24000 [7.0]	17900 [5.2]	6100 [1.8]	14.00	11.50	800 [377.6]	22200 [6.5]	3.66	13600 [4.0]	2.46	8.20
RP1424FJ1	R802VA050317MXA	RCF2417STAM	24000 [7.0]	17900 [5.2]	6100 [1.8]	14.00	11.50	800 [377.6]	22200 [6.5]	3.66	13600 [4.0]	2.46	8.20
RP1424FJ1	R802VA075317MSA	RCF2417STAM	24000 [7.0]	17900 [5.2]	6100 [1.8]	14.00	11.50	875 [413.0]	22000 [6.4]	3.66	13600 [4.0]	2.46	8.20
RP1424FJ1	R802VA075317MXA	RCF2417STAM	24000 [7.0]	17900 [5.2]	6100 [1.8]	14.00	11.50	875 [413.0]	22000 [6.4]	3.66	13600 [4.0]	2.46	8.20
RP1424FJ1	R802VA075317ZSA	RCF2417STAM	24000 [7.0]	17900 [5.2]	6100 [1.8]	14.00	11.50	800 [377.6]	22000 [6.4]	3.66	13500 [4.0]	2.50	8.20
RP1424FJ1	R802VA075317ZSB	RCF2417STAM	24000 [7.0]	17900 [5.2]	6100 [1.8]	14.00	11.50	800 [377.6]	22000 [6.4]	3.66	13500 [4.0]	2.50	8.20
RP1424FJ1	R802VA075317ZXA	RCF2417STAM	24000 [7.0]	17900 [5.2]	6100 [1.8]	14.00	11.50	800 [377.6]	22000 [6.4]	3.66	13500 [4.0]	2.50	8.20
RP1424FJ1	R802VA075317ZXB	RCF2417STAM	24000 [7.0]	17900 [5.2]	6100 [1.8]	14.00	11.50	800 [377.6]	22000 [6.4]	3.66	13500 [4.0]	2.50	8.20
RP1424FJ1	R802VB075317ZSB	RCF2417STAM	24000 [7.0]	17900 [5.2]	6100 [1.8]	14.00	11.50	800 [377.6]	22000 [6.4]	3.66	13500 [4.0]	2.50	8.20
RP1424FJ1	R802VB075317ZXB	RCF2417STAM	24000 [7.0]	17900 [5.2]	6100 [1.8]	14.00	11.50	800 [377.6]	22000 [6.4]	3.66	13500 [4.0]	2.50	8.20
RP1430FJ1	R802VA050317MSA	RCF3617STAM	28800 [8.4]	21600 [6.3]	7200 [2.1]	14.00	11.50	975 [460.1]	27000 [7.9]	3.54	16600 [4.9]	2.30	8.20
RP1430FJ1	R802VA050317MXA	RCF3621STAM	28800 [8.4]	21600 [6.3]	7200 [2.1]	14.00	11.50	975 [460.1]	26800 [7.9]	3.60	16500 [4.8]	2.30	8.20
RP1430FJ1	R802VA050317ZSA	RCF3617STAM	28800 [8.4]	21600 [6.3]	7200 [2.1]	14.00	11.50	975 [460.1]	27000 [7.9]	3.54	16600 [4.9]	2.30	8.20
RP1430FJ1	R802VA050317ZSB	RCF3621STAM	28800 [8.4]	21600 [6.3]	7200 [2.1]	14.00	11.50	975 [460.1]	26800 [7.9]	3.60	16500 [4.8]	2.30	8.20
RP1430FJ1	R802VA075317MSA	RCF3617STAM	29200 [8.6]	22100 [6.5]	7100 [2.1]	14.00	11.50	1025 [483.7]	27200 [8.0]	3.70	16700 [4.9]	2.34	8.20
RP1430FJ1	R802VA075317MXA	RCF3621STAM	29200 [8.6]	22100 [6.5]	7100 [2.1]	14.00	11.50	1025 [483.7]	27000 [7.9]	3.70	16600 [4.9]	2.34	8.20
RP1430FJ1	R802VA075317ZSA	RCF3617STAM	29200 [8.6]	22100 [6.5]	7100 [2.1]	14.00	11.50	1025 [483.7]	27200 [8.0]	3.70	16700 [4.9]	2.34	8.20
RP1430FJ1	R802VA075317ZSB	RCF3621STAM	29200 [8.6]	22100 [6.5]	7100 [2.1]	14.00	11.50	1025 [483.7]	27000 [7.9]	3.70	16600 [4.9]	2.34	8.20
RP1430FJ1	R802VA075317ZXA	RCF3617STAM	29400 [8.6]	22300 [6.5]	6900 [2.0]	14.00	11.50	1050 [495.5]	27200 [8.0]	3.66	16900 [5.0]	2.34	8.20
RP1430FJ1	R802VA075317ZXB	RCF3621STAM	29400 [8.6]	22300 [6.5]	6900 [2.0]	14.00	11.50	1050 [495.5]	27200 [8.0]	3.66	16900 [5.0]	2.34	8.20
RP1430FJ1	R802VA075317ZSA	RCF3617STAM	29200 [8.6]	22300 [6.5]	6900 [2.0]	14.00	11.50	1050 [495.5]	27200 [8.0]	3.66	16900 [5.0]	2.34	8.20
RP1430FJ1	R802VA075317ZSB	RCF3621STAM	29200 [8.6]	22300 [6.5]	6900 [2.0]	14.00	11.50	1050 [495.5]	27200 [8.0]	3.66	16900 [5.0]	2.34	8.20
RP1430FJ1	R802VA075317ZXA	RCF3617STAM	29400 [8.6]	22700 [6.7]	6700 [2.0]	14.00	11.50	1100 [519.1]	27200 [8.0]	3.66	16900 [5.0]	2.34	8.20
RP1430FJ1	R802VA075317ZXB	RCF3621STAM	29400 [8.6]	22700 [6.7]	6700 [2.0]	14.00	11.50	1100 [519.1]	27200 [8.0]	3.66	16900 [5.0]	2.34	8.20

[] Designates Metric Conversions

Performance Data @ AHRI Standard Conditions – Heat Pump (con't.)

Note: Ratings contained in this document are subject to change. For up-to-date and expanded ratings, please visit the AHRI web site (www.ahridirectory.org).

R802V - Prestige 2-Stage 80% ECM Furnace Ratings													
Outdoor Unit	Furnace	Indoor Coil	Total Capacity BTU/H [kW]	Net Sensible BTU/H [kW]	Net Latent BTU/H [kW]	SEER	EER	Indoor CFM [L/s]	47 Degree Heating Capacity BTU/H [kW]	47 Degree COP	17 Degree Heating Capacity BTU/H [kW]	47 Degree COP	Region IV HSPF
RP1430FJ1	R802VA075317ZXB	RCF3617STAM	29200 [8.6]	22300 [6.5]	6900 [2.0]	14.00	11.50	1050 [495.5]	27200 [8.0]	3.66	16900 [5.0]	2.34	8.20
RP1430FJ1	R802VA075421MSA	RCF3621STAM	29400 [8.6]	22700 [6.7]	6700 [2.0]	14.00	11.50	1100 [519.1]	27200 [8.0]	3.66	16900 [5.0]	2.34	8.20
RP1430FJ1	R802VA075421MSA	RCF3621STAM	29600 [8.7]	22900 [6.7]	6700 [2.0]	14.00	11.50	1100 [519.1]	27000 [7.9]	3.70	16700 [4.9]	2.40	8.20
RP1430FJ1	R802VA075421MXA	RCF3621STAM	29600 [8.7]	22900 [6.7]	6700 [2.0]	14.00	11.50	1100 [519.1]	27000 [7.9]	3.70	16700 [4.9]	2.40	8.20
RP1430FJ1	R802VA075421ZSA	RCF3621STAM	29200 [8.6]	22100 [6.5]	7100 [2.1]	14.00	11.50	1025 [483.7]	27000 [7.9]	3.70	16600 [4.9]	2.34	8.20
RP1430FJ1	R802VA075421ZSB	RCF3621STAM	29200 [8.6]	22100 [6.5]	7100 [2.1]	14.00	11.50	1025 [483.7]	27000 [7.9]	3.70	16600 [4.9]	2.34	8.20
RP1430FJ1	R802VA075421ZXA	RCF3621STAM	29200 [8.6]	22100 [6.5]	7100 [2.1]	14.00	11.50	1025 [483.7]	27000 [7.9]	3.70	16600 [4.9]	2.34	8.20
RP1430FJ1	R802VA075421ZXB	RCF3621STAM	29200 [8.6]	22100 [6.5]	7100 [2.1]	14.00	11.50	1025 [483.7]	27000 [7.9]	3.70	16600 [4.9]	2.34	8.20
RP1430FJ1	R802VA100521MSA	RCF3621STAM	29400 [8.6]	22300 [6.5]	7100 [2.1]	14.00	11.50	1025 [483.7]	26800 [7.9]	3.76	16400 [4.8]	2.40	8.20
RP1430FJ1	R802VA100521MXA	RCF3621STAM	29400 [8.6]	22300 [6.5]	7100 [2.1]	14.00	11.50	1025 [483.7]	26800 [7.9]	3.76	16400 [4.8]	2.40	8.20
RP1430FJ1	R802VA100521ZSA	RCF3621STAM	29200 [8.6]	22300 [6.5]	6900 [2.0]	14.00	11.50	1050 [495.5]	27000 [7.9]	3.70	16700 [4.9]	2.40	8.20
RP1430FJ1	R802VA100521ZSB	RCF3621STAM	29200 [8.6]	22300 [6.5]	6900 [2.0]	14.00	11.50	1050 [495.5]	27000 [7.9]	3.70	16700 [4.9]	2.40	8.20
RP1430FJ1	R802VA100521ZXA	RCF3621STAM	29200 [8.6]	22300 [6.5]	6900 [2.0]	14.00	11.50	1050 [495.5]	27000 [7.9]	3.70	16700 [4.9]	2.40	8.20
RP1430FJ1	R802VA100521ZXB	RCF3621STAM	29200 [8.6]	22300 [6.5]	6900 [2.0]	14.00	11.50	1050 [495.5]	27000 [7.9]	3.70	16700 [4.9]	2.40	8.20
RP1430FJ1	R802VB075317ZSB	RCF3617STAM	29200 [8.6]	22300 [6.5]	6900 [2.0]	14.00	11.50	1050 [495.5]	27200 [8.0]	3.66	16900 [5.0]	2.34	8.20
RP1430FJ1	R802VB075317ZXB	RCF3617STAM	29200 [8.6]	22300 [6.5]	6900 [2.0]	14.00	11.50	1050 [495.5]	27200 [8.0]	3.66	16900 [5.0]	2.34	8.20
RP1430FJ1	R802VB075421ZSB	RCF3621STAM	29400 [8.6]	22700 [6.7]	6700 [2.0]	14.00	11.50	1100 [519.1]	27200 [8.0]	3.66	16900 [5.0]	2.34	8.20
RP1430FJ1	R802VB075421ZXB	RCF3621STAM	29200 [8.6]	22300 [6.5]	6900 [2.0]	14.00	11.50	1050 [495.5]	27200 [8.0]	3.66	16900 [5.0]	2.34	8.20
RP1430FJ1	R802VB100521ZSB	RCF3621STAM	29200 [8.6]	22100 [6.5]	7100 [2.1]	14.00	11.50	1025 [483.7]	27000 [7.9]	3.70	16600 [4.9]	2.34	8.20
RP1430FJ1	R802VB100521ZXB	RCF3621STAM	29200 [8.6]	22100 [6.5]	7100 [2.1]	14.00	11.50	1025 [483.7]	27000 [7.9]	3.70	16600 [4.9]	2.34	8.20
RP1430FJ1	R802VB100521ZXB	RCF3621STAM	29200 [8.6]	22300 [6.5]	6900 [2.0]	14.00	11.50	1050 [495.5]	27000 [7.9]	3.70	16700 [4.9]	2.40	8.20
RP1430FJ1	R802VA050317MSA	RCF3621STAM	34800 [10.2]	25200 [7.4]	9600 [2.8]	14.00	11.50	1100 [519.1]	33600 [9.8]	3.50	22200 [6.5]	2.50	8.20
RP1436FC1	R802VA050317MXA	RCF3621STAM	34800 [10.2]	25200 [7.4]	9600 [2.8]	14.00	11.50	1100 [519.1]	33600 [9.8]	3.50	22000 [6.4]	2.54	8.20
RP1436FC1	R802VA050317MXA	RCF3617STAM	34800 [10.2]	25200 [7.4]	9600 [2.8]	14.00	11.50	1100 [519.1]	33600 [9.8]	3.50	22200 [6.5]	2.50	8.20
RP1436FC1	R802VA075317MSA	RCF3621STAM	34800 [10.2]	25200 [7.4]	9600 [2.8]	14.00	11.50	1100 [519.1]	33600 [9.8]	3.50	22000 [6.4]	2.54	8.20
RP1436FC1	R802VA075317MXA	RCF3617STAM	35200 [10.3]	25800 [7.6]	9400 [2.8]	14.00	11.50	1150 [542.7]	33800 [9.9]	3.60	22200 [6.5]	2.60	8.20
RP1436FC1	R802VA075317MSA	RCF3621STAM	35000 [10.3]	25300 [7.4]	9700 [2.8]	14.00	11.50	1075 [507.3]	33000 [9.7]	3.60	21600 [6.3]	2.54	8.20
RP1436FC1	R802VA075317MXA	RCF3617STAM	35200 [10.3]	25800 [7.6]	9400 [2.8]	14.00	11.50	1150 [542.7]	33800 [9.9]	3.60	22200 [6.5]	2.60	8.20
RP1436FC1	R802VA075317MSA	RCF3621STAM	35000 [10.3]	25300 [7.4]	9700 [2.8]	14.00	11.50	1075 [507.3]	33000 [9.7]	3.60	21600 [6.3]	2.54	8.20
RP1436FC1	R802VA075317ZSA	RCF3617STAM	35000 [10.3]	25400 [7.4]	9600 [2.8]	14.00	11.50	1100 [519.1]	33400 [9.8]	3.54	22000 [6.4]	2.54	8.20
RP1436FC1	R802VA075317ZSA	RCF3621STAM	35000 [10.3]	25400 [7.4]	9600 [2.8]	14.00	11.50	1100 [519.1]	33400 [9.8]	3.54	22000 [6.4]	2.54	8.20
RP1436FC1	R802VA075317ZSB	RCF3617STAM	35000 [10.3]	25400 [7.4]	9600 [2.8]	14.00	11.50	1100 [519.1]	33400 [9.8]	3.54	22000 [6.4]	2.54	8.20
RP1436FC1	R802VA075317ZSB	RCF3621STAM	35000 [10.3]	25400 [7.4]	9600 [2.8]	14.00	11.50	1100 [519.1]	33400 [9.8]	3.54	22000 [6.4]	2.54	8.20

[] Designates Metric Conversions

Performance Data @ AHRI Standard Conditions – Heat Pump (con't.)

Note: Ratings contained in this document are subject to change. For up-to-date and expanded ratings, please visit the AHRI web site (www.ahridirectory.org).

R802V: Prestige 2-Stage 80% ECM Furnace Ratings													
Outdoor Unit	Furnace	Indoor Coil	Total Capacity BTU/H [kW]	Net Sensible BTU/H [kW]	Net Latent BTU/H [kW]	SEER	EER	Indoor CFM [L/s]	47 Degree Heating Capacity BTU/H [kW]	47 Degree COP	17 Degree Heating Capacity BTU/H [kW]	47 Degree COP	Region IV HSPF
RP1436FC1	R802VA075317ZXA	RCF3617STAM	35000 [10.3]	25400 [7.4]	9600 [2.8]	14.00	11.50	1100 [519.1]	33400 [9.8]	3.54	22000 [6.4]	2.54	8.20
		RCF3621STAM	35000 [10.3]	25400 [7.4]	9600 [2.8]	14.00	11.50	1100 [519.1]	33400 [9.8]	3.54	22000 [6.4]	2.54	8.20
RP1436FC1	R802VA075317ZXB	RCF3617STAM	35000 [10.3]	25400 [7.4]	9600 [2.8]	14.00	11.50	1100 [519.1]	33400 [9.8]	3.54	22000 [6.4]	2.54	8.20
		RCF3621STAM	35000 [10.3]	25400 [7.4]	9600 [2.8]	14.00	11.50	1100 [519.1]	33400 [9.8]	3.54	22000 [6.4]	2.54	8.20
RP1436FC1	R802VA075421MSA	RCF3621STAM	35800 [10.5]	26900 [7.9]	8900 [2.6]	14.00	11.50	1250 [589.9]	33800 [9.9]	3.66	22400 [6.6]	2.66	8.20
RP1436FC1	R802VA075421MXA	RCF3621STAM	35800 [10.5]	26900 [7.9]	8900 [2.6]	14.00	11.50	1250 [589.9]	33800 [9.9]	3.66	22400 [6.6]	2.66	8.20
RP1436FC1	R802VA075421ZSA	RCF3621STAM	35600 [10.4]	26700 [7.8]	8900 [2.6]	14.00	11.50	1250 [589.9]	34000 [10.0]	3.60	22600 [6.6]	2.66	8.20
RP1436FC1	R802VA075421ZSB	RCF3621STAM	35600 [10.4]	26700 [7.8]	8900 [2.6]	14.00	11.50	1250 [589.9]	34000 [10.0]	3.60	22600 [6.6]	2.66	8.20
RP1436FC1	R802VA075421ZXA	RCF3621STAM	35600 [10.4]	26700 [7.8]	8900 [2.6]	14.00	11.50	1250 [589.9]	34000 [10.0]	3.60	22600 [6.6]	2.66	8.20
RP1436FC1	R802VA075421ZXB	RCF3621STAM	35600 [10.4]	26700 [7.8]	8900 [2.6]	14.00	11.50	1250 [589.9]	34000 [10.0]	3.60	22600 [6.6]	2.66	8.20
RP1436FC1	R802VA100521MSA	RCF3621STAM	36000 [10.6]	26600 [7.8]	9400 [2.8]	14.00	11.50	1350 [637.1]	33800 [9.9]	3.66	22400 [6.6]	2.66	8.20
RP1436FC1	R802VA100521MXA	RCF3621STAM	36000 [10.6]	26600 [7.8]	9400 [2.8]	14.00	11.50	1350 [637.1]	33800 [9.9]	3.66	22400 [6.6]	2.66	8.20
RP1436FC1	R802VA100521ZSA	RCF3621STAM	35400 [10.4]	26000 [7.6]	9400 [2.8]	14.00	11.50	1150 [542.7]	33600 [9.8]	3.66	22000 [6.4]	2.60	8.20
RP1436FC1	R802VA100521ZSB	RCF3621STAM	35400 [10.4]	26000 [7.6]	9400 [2.8]	14.00	11.50	1150 [542.7]	33600 [9.8]	3.66	22000 [6.4]	2.60	8.20
RP1436FC1	R802VA100521ZXA	RCF3621STAM	35400 [10.4]	26000 [7.6]	9400 [2.8]	14.00	11.50	1150 [542.7]	33600 [9.8]	3.66	22000 [6.4]	2.60	8.20
RP1436FC1	R802VA100521ZXB	RCF3621STAM	35400 [10.4]	26000 [7.6]	9400 [2.8]	14.00	11.50	1150 [542.7]	33600 [9.8]	3.66	22000 [6.4]	2.60	8.20
RP1436FC1	R802VB075317ZSB	RCF3617STAM	35000 [10.3]	25400 [7.4]	9600 [2.8]	14.00	11.50	1100 [519.1]	33400 [9.8]	3.54	22000 [6.4]	2.54	8.20
		RCF3621STAM	35000 [10.3]	25400 [7.4]	9600 [2.8]	14.00	11.50	1100 [519.1]	33400 [9.8]	3.54	22000 [6.4]	2.54	8.20
RP1436FC1	R802VB075317ZXB	RCF3617STAM	35000 [10.3]	25400 [7.4]	9600 [2.8]	14.00	11.50	1100 [519.1]	33400 [9.8]	3.54	22000 [6.4]	2.54	8.20
		RCF3621STAM	35000 [10.3]	25400 [7.4]	9600 [2.8]	14.00	11.50	1100 [519.1]	33400 [9.8]	3.54	22000 [6.4]	2.54	8.20
RP1436FC1	R802VB075421ZSB	RCF3621STAM	35600 [10.4]	26700 [7.8]	8900 [2.6]	14.00	11.50	1250 [589.9]	34000 [10.0]	3.60	22600 [6.6]	2.66	8.20
RP1436FC1	R802VB075421ZXB	RCF3621STAM	35600 [10.4]	26700 [7.8]	8900 [2.6]	14.00	11.50	1250 [589.9]	34000 [10.0]	3.60	22600 [6.6]	2.66	8.20
RP1436FC1	R802VB100521ZSB	RCF3621STAM	35400 [10.4]	26000 [7.6]	9400 [2.8]	14.00	11.50	1150 [542.7]	33600 [9.8]	3.66	22000 [6.4]	2.60	8.20
RP1436FC1	R802VB100521ZXB	RCF3621STAM	35400 [10.4]	26000 [7.6]	9400 [2.8]	14.00	11.50	1150 [542.7]	33600 [9.8]	3.66	22000 [6.4]	2.60	8.20
RP1436FJ1	R802VA050317MSA	RCF3617STAM	34800 [10.2]	25200 [7.4]	9600 [2.8]	14.00	11.50	1100 [519.1]	33600 [9.8]	3.50	22200 [6.5]	2.50	8.20
		RCF3621STAM	34800 [10.2]	25200 [7.4]	9600 [2.8]	14.00	11.50	1100 [519.1]	33600 [9.8]	3.50	22000 [6.4]	2.54	8.20
RP1436FJ1	R802VA050317MXA	RCF3617STAM	34800 [10.2]	25200 [7.4]	9600 [2.8]	14.00	11.50	1100 [519.1]	33600 [9.8]	3.50	22200 [6.5]	2.50	8.20
		RCF3621STAM	34800 [10.2]	25200 [7.4]	9600 [2.8]	14.00	11.50	1100 [519.1]	33600 [9.8]	3.50	22000 [6.4]	2.54	8.20
RP1436FJ1	R802VA075317MSA	RCF3617STAM	35200 [10.3]	25800 [7.6]	9400 [2.8]	14.00	11.50	1150 [542.7]	33800 [9.9]	3.60	22200 [6.5]	2.60	8.20
		RCF3621STAM	35000 [10.3]	25300 [7.4]	9700 [2.8]	14.00	11.50	1075 [507.3]	33000 [9.7]	3.60	21600 [6.3]	2.54	8.20
RP1436FJ1	R802VA075317MXA	RCF3617STAM	35200 [10.3]	25800 [7.6]	9400 [2.8]	14.00	11.50	1150 [542.7]	33800 [9.9]	3.60	22200 [6.5]	2.60	8.20
		RCF3621STAM	35000 [10.3]	25300 [7.4]	9700 [2.8]	14.00	11.50	1075 [507.3]	33000 [9.7]	3.60	21600 [6.3]	2.54	8.20
RP1436FJ1	R802VA075317ZSA	RCF3617STAM	35000 [10.3]	25400 [7.4]	9600 [2.8]	14.00	11.50	1100 [519.1]	33400 [9.8]	3.54	22000 [6.4]	2.54	8.20
		RCF3621STAM	35000 [10.3]	25400 [7.4]	9600 [2.8]	14.00	11.50	1100 [519.1]	33400 [9.8]	3.54	22000 [6.4]	2.54	8.20

[] Designates Metric Conversions



Air

Performance Data @ AHRI Standard Conditions – Heat Pump (con't.)

Note: Ratings contained in this document are subject to change. For up-to-date and expanded ratings, please visit the AHRI web site (www.ahridirectory.org).

R802V: Prestige 2-Stage 80% ECM Furnace Ratings													
Outdoor Unit	Furnace	Indoor Coil	Total Capacity BTU/H [kW]	Net Sensible BTU/H [kW]	Net Latent BTU/H [kW]	SEER	EER	Indoor CFM [L/s]	47 Degree Heating Capacity BTU/H [kW]	47 Degree COP	17 Degree Heating Capacity BTU/H [kW]	47 Degree COP	Region IV HSPF
RP1436FJ1	R802VA075317ZSB	RCF3617STAM	35000 [10.3]	25400 [7.4]	9600 [2.8]	14.00	11.50	1100 [519.1]	33400 [9.8]	3.54	22000 [6.4]	2.54	8.20
		RCF3621STAM	35000 [10.3]	25400 [7.4]	9600 [2.8]	14.00	11.50	1100 [519.1]	33400 [9.8]	3.54	22000 [6.4]	2.54	8.20
		RCF3617STAM	35000 [10.3]	25400 [7.4]	9600 [2.8]	14.00	11.50	1100 [519.1]	33400 [9.8]	3.54	22000 [6.4]	2.54	8.20
		RCF3621STAM	35000 [10.3]	25400 [7.4]	9600 [2.8]	14.00	11.50	1100 [519.1]	33400 [9.8]	3.54	22000 [6.4]	2.54	8.20
RP1436FJ1	R802VA075317ZXB	RCF3617STAM	35000 [10.3]	25400 [7.4]	9600 [2.8]	14.00	11.50	1100 [519.1]	33400 [9.8]	3.54	22000 [6.4]	2.54	8.20
		RCF3621STAM	35000 [10.3]	25400 [7.4]	9600 [2.8]	14.00	11.50	1100 [519.1]	33400 [9.8]	3.54	22000 [6.4]	2.54	8.20
RP1436FJ1	R802VA075421MSA	RCF3621STAM	35800 [10.5]	26900 [7.9]	8900 [2.6]	14.00	11.50	1250 [589.9]	33800 [9.9]	3.66	22400 [6.6]	2.66	8.20
		RCF3621STAM	35800 [10.5]	26900 [7.9]	8900 [2.6]	14.00	11.50	1250 [589.9]	33800 [9.9]	3.66	22400 [6.6]	2.66	8.20
RP1436FJ1	R802VA075421ZSA	RCF3621STAM	35600 [10.4]	26700 [7.8]	8900 [2.6]	14.00	11.50	1250 [589.9]	34000 [10.0]	3.60	22600 [6.6]	2.66	8.20
		RCF3621STAM	35600 [10.4]	26700 [7.8]	8900 [2.6]	14.00	11.50	1250 [589.9]	34000 [10.0]	3.60	22600 [6.6]	2.66	8.20
RP1436FJ1	R802VA075421ZXA	RCF3621STAM	35600 [10.4]	26700 [7.8]	8900 [2.6]	14.00	11.50	1250 [589.9]	34000 [10.0]	3.60	22600 [6.6]	2.66	8.20
		RCF3621STAM	35600 [10.4]	26700 [7.8]	8900 [2.6]	14.00	11.50	1250 [589.9]	34000 [10.0]	3.60	22600 [6.6]	2.66	8.20
RP1436FJ1	R802VA100521MSA	RCF3621STAM	36000 [10.6]	26600 [7.8]	9400 [2.8]	14.00	11.50	1350 [637.1]	33800 [9.9]	3.66	22400 [6.6]	2.66	8.20
		RCF3621STAM	36000 [10.6]	26600 [7.8]	9400 [2.8]	14.00	11.50	1350 [637.1]	33800 [9.9]	3.66	22400 [6.6]	2.66	8.20
RP1436FJ1	R802VA100521ZSA	RCF3621STAM	35400 [10.4]	26000 [7.6]	9400 [2.8]	14.00	11.50	1150 [542.7]	33600 [9.8]	3.66	22000 [6.4]	2.60	8.20
		RCF3621STAM	35400 [10.4]	26000 [7.6]	9400 [2.8]	14.00	11.50	1150 [542.7]	33600 [9.8]	3.66	22000 [6.4]	2.60	8.20
RP1436FJ1	R802VA100521ZXA	RCF3621STAM	35400 [10.4]	26000 [7.6]	9400 [2.8]	14.00	11.50	1150 [542.7]	33600 [9.8]	3.66	22000 [6.4]	2.60	8.20
		RCF3621STAM	35400 [10.4]	26000 [7.6]	9400 [2.8]	14.00	11.50	1150 [542.7]	33600 [9.8]	3.66	22000 [6.4]	2.60	8.20
RP1436FJ1	R802VA100521ZXB	RCF3621STAM	35000 [10.3]	25400 [7.4]	9600 [2.8]	14.00	11.50	1100 [519.1]	33400 [9.8]	3.54	22000 [6.4]	2.54	8.20
		RCF3621STAM	35000 [10.3]	25400 [7.4]	9600 [2.8]	14.00	11.50	1100 [519.1]	33400 [9.8]	3.54	22000 [6.4]	2.54	8.20
RP1436FJ1	R802VB075317ZSB	RCF3617STAM	35000 [10.3]	25400 [7.4]	9600 [2.8]	14.00	11.50	1100 [519.1]	33400 [9.8]	3.54	22000 [6.4]	2.54	8.20
		RCF3621STAM	35000 [10.3]	25400 [7.4]	9600 [2.8]	14.00	11.50	1100 [519.1]	33400 [9.8]	3.54	22000 [6.4]	2.54	8.20
RP1436FJ1	R802VB075421ZSB	RCF3621STAM	35600 [10.4]	26700 [7.8]	8900 [2.6]	14.00	11.50	1250 [589.9]	34000 [10.0]	3.60	22600 [6.6]	2.66	8.20
		RCF3621STAM	35600 [10.4]	26700 [7.8]	8900 [2.6]	14.00	11.50	1250 [589.9]	34000 [10.0]	3.60	22600 [6.6]	2.66	8.20
RP1436FJ1	R802VB075421ZXB	RCF3621STAM	35600 [10.4]	26700 [7.8]	8900 [2.6]	14.00	11.50	1250 [589.9]	34000 [10.0]	3.60	22600 [6.6]	2.66	8.20
		RCF3621STAM	35600 [10.4]	26700 [7.8]	8900 [2.6]	14.00	11.50	1250 [589.9]	34000 [10.0]	3.60	22600 [6.6]	2.66	8.20
RP1436FJ1	R802VB100521ZSB	RCF3621STAM	35400 [10.4]	26000 [7.6]	9400 [2.8]	14.00	11.50	1150 [542.7]	33600 [9.8]	3.66	22000 [6.4]	2.60	8.20
		RCF3621STAM	35400 [10.4]	26000 [7.6]	9400 [2.8]	14.00	11.50	1150 [542.7]	33600 [9.8]	3.66	22000 [6.4]	2.60	8.20
RP1442FC1	R802VA075317ZSA	RCF4821STAM	41500 [12.2]	29300 [8.6]	12200 [3.6]	14.00	11.50	1325 [625.3]	40500 [11.9]	3.70	26000 [7.6]	2.54	8.20
		RCF4821STAM	41500 [12.2]	29300 [8.6]	12200 [3.6]	14.00	11.50	1325 [625.3]	40500 [11.9]	3.70	26000 [7.6]	2.54	8.20
RP1442FC1	R802VA075317ZXA	RCF4821STAM	41500 [12.2]	29300 [8.6]	12200 [3.6]	14.00	11.50	1325 [625.3]	40500 [11.9]	3.70	26000 [7.6]	2.54	8.20
		RCF4821STAM	41500 [12.2]	29300 [8.6]	12200 [3.6]	14.00	11.50	1325 [625.3]	40500 [11.9]	3.70	26000 [7.6]	2.54	8.20
RP1442FC1	R802VA075317ZXB	RCF4821STAM	41500 [12.2]	29300 [8.6]	12200 [3.6]	14.00	11.50	1325 [625.3]	40500 [11.9]	3.70	26000 [7.6]	2.54	8.20
		RCF4821STAM	41500 [12.2]	29300 [8.6]	12200 [3.6]	14.00	11.50	1325 [625.3]	40500 [11.9]	3.70	26000 [7.6]	2.54	8.20
RP1442FC1	R802VA075421MSA	RCF4821STAM	42000 [12.3]	30100 [8.8]	11900 [3.5]	14.00	11.50	1425 [672.5]	40000 [11.7]	3.76	25800 [7.6]	2.60	8.20
		RCF4824STAM	42000 [12.3]	30100 [8.8]	11900 [3.5]	14.00	11.50	1425 [672.5]	40000 [11.7]	3.76	25800 [7.6]	2.60	8.20
RP1442FC1	R802VA075421ZSA	RCF4821STAM	42000 [12.3]	30100 [8.8]	11900 [3.5]	14.00	11.50	1425 [672.5]	40000 [11.7]	3.76	25800 [7.6]	2.60	8.20
		RCF4821STAM	42000 [12.3]	30100 [8.8]	11900 [3.5]	14.00	11.50	1425 [672.5]	40000 [11.7]	3.76	25800 [7.6]	2.60	8.20
RP1442FC1	R802VA075421ZXA	RCF4821STAM	42000 [12.3]	30100 [8.8]	11900 [3.5]	14.00	11.50	1425 [672.5]	40000 [11.7]	3.76	25800 [7.6]	2.60	8.20
		RCF4824STAM	42000 [12.3]	30100 [8.8]	11900 [3.5]	14.00	11.50	1425 [672.5]	40000 [11.7]	3.76	25800 [7.6]	2.60	8.20
RP1442FC1	R802VA075421ZXB	RCF4821STAM	42000 [12.3]	30100 [8.8]	11900 [3.5]	14.00	11.50	1425 [672.5]	40000 [11.7]	3.76	25800 [7.6]	2.60	8.20
		RCF4824STAM	42000 [12.3]	30100 [8.8]	11900 [3.5]	14.00	11.50	1425 [672.5]	40000 [11.7]	3.76	25800 [7.6]	2.60	8.20

[] Designates Metric Conversions



Performance Data @ AHRI Standard Conditions – Heat Pump (con't.)

Note: Ratings contained in this document are subject to change. For up-to-date and expanded ratings, please visit the AHRI web site (www.ahridirectory.org).

R802V: Prestige 2-Stage 80% ECM Furnace Ratings													
Outdoor Unit	Furnace	Indoor Coil	Total Capacity BTU/H [kW]	Net Sensible BTU/H [kW]	Net Latent BTU/H [kW]	SEER	EER	Indoor CFM [L/s]	47 Degree Heating Capacity [kW]	47 Degree COP	17 Degree Heating Capacity [kW]	47 Degree COP	Region IV HSPF
RP1442FC1	R802VA075421ZSA	RCF4821STAM	41500 [12.2]	28900 [8.5]	12600 [3.7]	14.00	11.50	1250 [589.9]	39500 [11.6]	3.70	25200 [7.4]	2.54	8.20
		RCF4824STAM	41500 [12.2]	28900 [8.5]	12600 [3.7]	14.00	11.50	1250 [589.9]	39500 [11.6]	3.70	25200 [7.4]	2.54	8.20
RP1442FC1	R802VA075421ZSB	RCF4821STAM	41500 [12.2]	28900 [8.5]	12600 [3.7]	14.00	11.50	1250 [589.9]	39500 [11.6]	3.70	25200 [7.4]	2.54	8.20
		RCF4824STAM	41500 [12.2]	28900 [8.5]	12600 [3.7]	14.00	11.50	1250 [589.9]	39500 [11.6]	3.70	25200 [7.4]	2.54	8.20
RP1442FC1	R802VA075421ZXA	RCF4821STAM	41500 [12.2]	28900 [8.5]	12600 [3.7]	14.00	11.50	1250 [589.9]	39500 [11.6]	3.70	25200 [7.4]	2.54	8.20
		RCF4824STAM	41500 [12.2]	28900 [8.5]	12600 [3.7]	14.00	11.50	1250 [589.9]	39500 [11.6]	3.70	25200 [7.4]	2.54	8.20
RP1442FC1	R802VA075421ZXB	RCF4821STAM	41500 [12.2]	28900 [8.5]	12600 [3.7]	14.00	11.50	1250 [589.9]	39500 [11.6]	3.70	25200 [7.4]	2.54	8.20
		RCF4824STAM	41500 [12.2]	28900 [8.5]	12600 [3.7]	14.00	11.50	1250 [589.9]	39500 [11.6]	3.70	25200 [7.4]	2.54	8.20
RP1442FC1	R802VA100521MSA	RCF4821STAM	42000 [12.3]	30100 [8.8]	11900 [3.5]	14.00	11.50	1350 [637.1]	40000 [11.7]	3.80	25400 [7.4]	2.66	8.20
		RCF4824STAM	42000 [12.3]	30100 [8.8]	11900 [3.5]	14.00	11.50	1350 [637.1]	40000 [11.7]	3.80	25400 [7.4]	2.66	8.20
RP1442FC1	R802VA100521MXA	RCF4821STAM	42000 [12.3]	30100 [8.8]	11900 [3.5]	14.00	11.50	1350 [637.1]	40000 [11.7]	3.80	25400 [7.4]	2.66	8.20
		RCF4824STAM	42000 [12.3]	30100 [8.8]	11900 [3.5]	14.00	11.50	1350 [637.1]	40000 [11.7]	3.80	25400 [7.4]	2.66	8.20
RP1442FC1	R802VA100521ZSA	RCF4821STAM	42000 [12.3]	30100 [8.8]	11900 [3.5]	14.00	11.50	1400 [660.7]	40000 [11.7]	3.76	25800 [7.6]	2.60	8.20
		RCF4824STAM	42000 [12.3]	30100 [8.8]	11900 [3.5]	14.00	11.50	1400 [660.7]	40000 [11.7]	3.76	25800 [7.6]	2.60	8.20
RP1442FC1	R802VA100521ZSB	RCF4821STAM	42000 [12.3]	30100 [8.8]	11900 [3.5]	14.00	11.50	1400 [660.7]	40000 [11.7]	3.76	25800 [7.6]	2.60	8.20
		RCF4824STAM	42000 [12.3]	30100 [8.8]	11900 [3.5]	14.00	11.50	1400 [660.7]	40000 [11.7]	3.76	25800 [7.6]	2.60	8.20
RP1442FC1	R802VA100521ZXA	RCF4821STAM	42000 [12.3]	30100 [8.8]	11900 [3.5]	14.00	11.50	1400 [660.7]	40000 [11.7]	3.76	25800 [7.6]	2.60	8.20
		RCF4824STAM	42000 [12.3]	30100 [8.8]	11900 [3.5]	14.00	11.50	1400 [660.7]	40000 [11.7]	3.76	25800 [7.6]	2.60	8.20
RP1442FC1	R802VA100521ZXB	RCF4821STAM	42000 [12.3]	30100 [8.8]	11900 [3.5]	14.00	11.50	1400 [660.7]	40000 [11.7]	3.76	25800 [7.6]	2.60	8.20
		RCF4824STAM	42000 [12.3]	30100 [8.8]	11900 [3.5]	14.00	11.50	1400 [660.7]	40000 [11.7]	3.76	25800 [7.6]	2.60	8.20
RP1442FC1	R802VA125524MSA	RCF4824STAM	42000 [12.3]	30100 [8.8]	11900 [3.5]	14.00	11.50	1350 [637.1]	40000 [11.7]	3.80	25400 [7.4]	2.66	8.20
		RCF4824STAM	42000 [12.3]	30100 [8.8]	11900 [3.5]	14.00	11.50	1350 [637.1]	40000 [11.7]	3.80	25400 [7.4]	2.66	8.20
RP1442FC1	R802VA125524MXA	RCF4824STAM	42000 [12.3]	30100 [8.8]	11900 [3.5]	14.00	11.50	1350 [637.1]	40000 [11.7]	3.80	25400 [7.4]	2.66	8.20
		RCF4824STAM	42000 [12.3]	30100 [8.8]	11900 [3.5]	14.00	11.50	1350 [637.1]	40000 [11.7]	3.80	25400 [7.4]	2.66	8.20
RP1442FC1	R802VA125524ZSA	RCF4824STAM	42000 [12.3]	30100 [8.8]	11900 [3.5]	14.00	11.50	1400 [660.7]	40000 [11.7]	3.76	25800 [7.6]	2.60	8.20
		RCF4824STAM	42000 [12.3]	30100 [8.8]	11900 [3.5]	14.00	11.50	1400 [660.7]	40000 [11.7]	3.76	25800 [7.6]	2.60	8.20
RP1442FC1	R802VA125524ZSB	RCF4824STAM	42000 [12.3]	30100 [8.8]	11900 [3.5]	14.00	11.50	1400 [660.7]	40000 [11.7]	3.76	25800 [7.6]	2.60	8.20
		RCF4824STAM	42000 [12.3]	30100 [8.8]	11900 [3.5]	14.00	11.50	1400 [660.7]	40000 [11.7]	3.76	25800 [7.6]	2.60	8.20
RP1442FC1	R802VA125524ZXA	RCF4824STAM	42000 [12.3]	30100 [8.8]	11900 [3.5]	14.00	11.50	1400 [660.7]	40000 [11.7]	3.76	25800 [7.6]	2.60	8.20
		RCF4824STAM	42000 [12.3]	30100 [8.8]	11900 [3.5]	14.00	11.50	1400 [660.7]	40000 [11.7]	3.76	25800 [7.6]	2.60	8.20
RP1442FC1	R802VB075317ZSB	RCF4821STAM	41500 [12.2]	29300 [8.6]	12200 [3.6]	14.00	11.50	1325 [625.3]	40500 [11.9]	3.70	26000 [7.6]	2.54	8.20
		RCF4824STAM	41500 [12.2]	29300 [8.6]	12200 [3.6]	14.00	11.50	1325 [625.3]	40500 [11.9]	3.70	26000 [7.6]	2.54	8.20
RP1442FC1	R802VB075317ZXB	RCF4821STAM	41500 [12.2]	28900 [8.5]	12600 [3.7]	14.00	11.50	1250 [589.9]	39500 [11.6]	3.70	25200 [7.4]	2.54	8.20
		RCF4824STAM	41500 [12.2]	28900 [8.5]	12600 [3.7]	14.00	11.50	1250 [589.9]	39500 [11.6]	3.70	25200 [7.4]	2.54	8.20
RP1442FC1	R802VB075421ZSB	RCF4821STAM	41500 [12.2]	28900 [8.5]	12600 [3.7]	14.00	11.50	1250 [589.9]	39500 [11.6]	3.70	25200 [7.4]	2.54	8.20
		RCF4824STAM	41500 [12.2]	28900 [8.5]	12600 [3.7]	14.00	11.50	1250 [589.9]	39500 [11.6]	3.70	25200 [7.4]	2.54	8.20
RP1442FC1	R802VB075421ZXB	RCF4821STAM	41500 [12.2]	28900 [8.5]	12600 [3.7]	14.00	11.50	1250 [589.9]	39500 [11.6]	3.70	25200 [7.4]	2.54	8.20
		RCF4824STAM	41500 [12.2]	28900 [8.5]	12600 [3.7]	14.00	11.50	1250 [589.9]	39500 [11.6]	3.70	25200 [7.4]	2.54	8.20
RP1442FC1	R802VB100521ZSB	RCF4821STAM	42000 [12.3]	30100 [8.8]	11900 [3.5]	14.00	11.50	1400 [660.7]	40000 [11.7]	3.76	25800 [7.6]	2.60	8.20
		RCF4824STAM	42000 [12.3]	30100 [8.8]	11900 [3.5]	14.00	11.50	1400 [660.7]	40000 [11.7]	3.76	25800 [7.6]	2.60	8.20

[] Designates Metric Conversions

Performance Data @ AHRI Standard Conditions – Heat Pump (con't.)

Note: Ratings contained in this document are subject to change. For up-to-date and expanded ratings, please visit the AHRI web site (www.ahridirectory.org).

R802V - Prestige 2-Stage 80% ECM Furnace Ratings													
Outdoor Unit	Furnace	Indoor Coil	Total Capacity BTU/H [kW]	Net Sensible BTU/H [kW]	Net Latent BTU/H [kW]	SEER	EER	Indoor CFM [L/s]	47 Degree Heating Capacity BTU/H [kW]	47 Degree COP	17 Degree Heating Capacity BTU/H [kW]	47 Degree COP	Region IV HSPF
RP1442FC1	R802VB100521ZXB	RCF4821STAM	42000 [12.3]	30100 [8.8]	11900 [3.5]	14.00	11.50	1400 [660.7]	40000 [11.7]	3.76	25800 [7.6]	2.60	8.20
RP1442FC1	R802VB125524ZSB	RCF4824STAM	42000 [12.3]	30100 [8.8]	11900 [3.5]	14.00	11.50	1400 [660.7]	40000 [11.7]	3.76	25800 [7.6]	2.60	8.20
RP1442FC1	R802VB125524ZXB	RCF4824STAM	42000 [12.3]	30100 [8.8]	11900 [3.5]	14.00	11.50	1400 [660.7]	40000 [11.7]	3.76	25800 [7.6]	2.60	8.20
RP1442FJ1	R802VA075317ZSA	RCF4821STAM	41500 [12.2]	29300 [8.6]	12200 [3.6]	14.00	11.50	1325 [625.3]	40500 [11.9]	3.70	26000 [7.6]	2.54	8.20
RP1442FJ1	R802VA075317ZSB	RCF4821STAM	41500 [12.2]	29300 [8.6]	12200 [3.6]	14.00	11.50	1325 [625.3]	40500 [11.9]	3.70	26000 [7.6]	2.54	8.20
RP1442FJ1	R802VA075317ZXA	RCF4821STAM	41500 [12.2]	29300 [8.6]	12200 [3.6]	14.00	11.50	1325 [625.3]	40500 [11.9]	3.70	26000 [7.6]	2.54	8.20
RP1442FJ1	R802VA075317ZXB	RCF4821STAM	41500 [12.2]	29300 [8.6]	12200 [3.6]	14.00	11.50	1325 [625.3]	40500 [11.9]	3.70	26000 [7.6]	2.54	8.20
RP1442FJ1	R802VA075421MSA	RCF4821STAM	42000 [12.3]	30100 [8.8]	11900 [3.5]	14.00	11.50	1425 [672.5]	40000 [11.7]	3.76	25800 [7.6]	2.60	8.20
RP1442FJ1	R802VA075421MXA	RCF4824STAM	42000 [12.3]	30100 [8.8]	11900 [3.5]	14.00	11.50	1425 [672.5]	40000 [11.7]	3.76	25800 [7.6]	2.60	8.20
RP1442FJ1	R802VA075421ZSA	RCF4821STAM	41500 [12.2]	28900 [8.5]	12600 [3.7]	14.00	11.50	1250 [589.9]	39500 [11.6]	3.70	25200 [7.4]	2.54	8.20
RP1442FJ1	R802VA075421ZSB	RCF4824STAM	41500 [12.2]	28900 [8.5]	12600 [3.7]	14.00	11.50	1250 [589.9]	39500 [11.6]	3.70	25200 [7.4]	2.54	8.20
RP1442FJ1	R802VA075421ZXA	RCF4821STAM	41500 [12.2]	28900 [8.5]	12600 [3.7]	14.00	11.50	1250 [589.9]	39500 [11.6]	3.70	25200 [7.4]	2.54	8.20
RP1442FJ1	R802VA075421ZXB	RCF4824STAM	41500 [12.2]	28900 [8.5]	12600 [3.7]	14.00	11.50	1250 [589.9]	39500 [11.6]	3.70	25200 [7.4]	2.54	8.20
RP1442FJ1	R802VA100521MSA	RCF4821STAM	42000 [12.3]	30100 [8.8]	11900 [3.5]	14.00	11.50	1350 [637.1]	40000 [11.7]	3.80	25400 [7.4]	2.66	8.20
RP1442FJ1	R802VA100521MXA	RCF4824STAM	42000 [12.3]	30100 [8.8]	11900 [3.5]	14.00	11.50	1350 [637.1]	40000 [11.7]	3.80	25400 [7.4]	2.66	8.20
RP1442FJ1	R802VA100521ZSA	RCF4821STAM	42000 [12.3]	30100 [8.8]	11900 [3.5]	14.00	11.50	1350 [637.1]	40000 [11.7]	3.80	25400 [7.4]	2.66	8.20
RP1442FJ1	R802VA100521ZSB	RCF4824STAM	42000 [12.3]	30100 [8.8]	11900 [3.5]	14.00	11.50	1350 [637.1]	40000 [11.7]	3.80	25400 [7.4]	2.66	8.20
RP1442FJ1	R802VA100521ZXA	RCF4821STAM	42000 [12.3]	30100 [8.8]	11900 [3.5]	14.00	11.50	1350 [637.1]	40000 [11.7]	3.80	25400 [7.4]	2.66	8.20
RP1442FJ1	R802VA100521ZXB	RCF4824STAM	42000 [12.3]	30100 [8.8]	11900 [3.5]	14.00	11.50	1350 [637.1]	40000 [11.7]	3.80	25400 [7.4]	2.66	8.20
RP1442FJ1	R802VA125524MSA	RCF4824STAM	42000 [12.3]	30100 [8.8]	11900 [3.5]	14.00	11.50	1350 [637.1]	40000 [11.7]	3.80	25400 [7.4]	2.66	8.20
RP1442FJ1	R802VA125524MXA	RCF4824STAM	42000 [12.3]	30100 [8.8]	11900 [3.5]	14.00	11.50	1350 [637.1]	40000 [11.7]	3.80	25400 [7.4]	2.66	8.20

[] Designates Metric Conversions

Performance Data @ AHRI Standard Conditions – Heat Pump (con't.)

Note: Ratings contained in this document are subject to change. For up-to-date and expanded ratings, please visit the AHRI web site (www.ahridirectory.org).

R802V - Prestige 2-Stage 80% ECM Furnace Ratings													
Outdoor Unit	Furnace	Indoor Coil	Total Capacity BTU/H [kW]	Net Sensible BTU/H [kW]	Net Latent BTU/H [kW]	SEER	EER	Indoor CFM [L/s]	47 Degree Heating Capacity BTU/H [kW]	47 Degree COP	17 Degree Heating Capacity BTU/H [kW]	47 Degree COP	Region IV HSPF
RP1442FJ1	R802VA125524ZSA	RCF4824STAM	42000 [12.3]	30100 [8.8]	11900 [3.5]	14.00	11.50	1400 [660.7]	40000 [11.7]	3.76	25800 [7.6]	2.60	8.20
RP1442FJ1	R802VA125524ZSB	RCF4824STAM	42000 [12.3]	30100 [8.8]	11900 [3.5]	14.00	11.50	1400 [660.7]	40000 [11.7]	3.76	25800 [7.6]	2.60	8.20
RP1442FJ1	R802VA125524ZXA	RCF4824STAM	42000 [12.3]	30100 [8.8]	11900 [3.5]	14.00	11.50	1400 [660.7]	40000 [11.7]	3.76	25800 [7.6]	2.60	8.20
RP1442FJ1	R802VA125524ZXB	RCF4824STAM	42000 [12.3]	30100 [8.8]	11900 [3.5]	14.00	11.50	1400 [660.7]	40000 [11.7]	3.76	25800 [7.6]	2.60	8.20
RP1442FJ1	R802VB075317ZSB	RCF4821STAM	41500 [12.2]	29300 [8.6]	12200 [3.6]	14.00	11.50	1325 [625.3]	40500 [11.9]	3.70	26000 [7.6]	2.54	8.20
RP1442FJ1	R802VB075317ZXB	RCF4821STAM	41500 [12.2]	29300 [8.6]	12200 [3.6]	14.00	11.50	1325 [625.3]	40500 [11.9]	3.70	26000 [7.6]	2.54	8.20
RP1442FJ1	R802VB075421ZSB	RCF4821STAM	41500 [12.2]	28900 [8.5]	12600 [3.7]	14.00	11.50	1250 [589.9]	39500 [11.6]	3.70	25200 [7.4]	2.54	8.20
RP1442FJ1	R802VB075421ZXB	RCF4821STAM	41500 [12.2]	28900 [8.5]	12600 [3.7]	14.00	11.50	1250 [589.9]	39500 [11.6]	3.70	25200 [7.4]	2.54	8.20
RP1442FJ1	R802VB100521ZSB	RCF4821STAM	42000 [12.3]	30100 [8.8]	11900 [3.5]	14.00	11.50	1400 [660.7]	40000 [11.7]	3.76	25800 [7.6]	2.60	8.20
RP1442FJ1	R802VB100521ZXB	RCF4821STAM	42000 [12.3]	30100 [8.8]	11900 [3.5]	14.00	11.50	1400 [660.7]	40000 [11.7]	3.76	25800 [7.6]	2.60	8.20
RP1442FJ1	R802VB125524ZSB	RCF4824STAM	42000 [12.3]	30100 [8.8]	11900 [3.5]	14.00	11.50	1400 [660.7]	40000 [11.7]	3.76	25800 [7.6]	2.60	8.20
RP1442FJ1	R802VB125524ZXB	RCF4824STAM	42000 [12.3]	30100 [8.8]	11900 [3.5]	14.00	11.50	1400 [660.7]	40000 [11.7]	3.76	25800 [7.6]	2.60	8.20
RP1442FJ1	R802VB125524ZSA	RCF4824STAM	42000 [12.3]	30100 [8.8]	11900 [3.5]	14.00	11.50	1400 [660.7]	40000 [11.7]	3.76	25800 [7.6]	2.60	8.20
RP1442FJ1	R802VB125524ZSB	RCF4824STAM	42000 [12.3]	30100 [8.8]	11900 [3.5]	14.00	11.50	1400 [660.7]	40000 [11.7]	3.76	25800 [7.6]	2.60	8.20
RP1448FC1	R802VA075421MSA	RCF4821STAM	46000 [13.5]	32600 [9.6]	13400 [3.9]	14.00	11.50	1425 [672.5]	44000 [12.9]	3.66	28400 [8.3]	2.54	8.20
RP1448FC1	R802VA075421MXA	RCF4821STAM	46000 [13.5]	32600 [9.6]	13400 [3.9]	14.00	11.50	1425 [672.5]	44000 [12.9]	3.66	28400 [8.3]	2.54	8.20
RP1448FC1	R802VA075421ZSA	RCF4821STAM	46000 [13.5]	32700 [9.6]	13300 [3.9]	14.00	11.50	1450 [684.3]	44500 [13.0]	3.60	29000 [8.5]	2.50	8.20
RP1448FC1	R802VA075421ZSB	RCF4821STAM	46000 [13.5]	32700 [9.6]	13300 [3.9]	14.00	11.50	1450 [684.3]	44500 [13.0]	3.60	29000 [8.5]	2.50	8.20
RP1448FC1	R802VA075421ZXA	RCF4821STAM	46000 [13.5]	32700 [9.6]	13300 [3.9]	14.00	11.50	1450 [684.3]	44500 [13.0]	3.60	29000 [8.5]	2.50	8.20
RP1448FC1	R802VA075421ZXB	RCF4821STAM	46000 [13.5]	32700 [9.6]	13300 [3.9]	14.00	11.50	1450 [684.3]	44500 [13.0]	3.60	29000 [8.5]	2.50	8.20
RP1448FC1	R802VA100521MSA	RCF4821STAM	47000 [13.8]	34500 [10.1]	12500 [3.7]	14.00	11.50	1575 [743.3]	44500 [13.0]	3.66	29000 [8.5]	2.60	8.20
RP1448FC1	R802VA100521MXA	RCF4821STAM	47000 [13.8]	34500 [10.1]	12500 [3.7]	14.00	11.50	1575 [743.3]	44500 [13.0]	3.66	29000 [8.5]	2.60	8.20
RP1448FC1	R802VA100521ZSA	RCF4821STAM	46500 [13.6]	34200 [10.0]	12300 [3.6]	14.00	11.50	1600 [755.1]	45000 [13.2]	3.60	29400 [8.6]	2.54	8.20
RP1448FC1	R802VA100521ZSB	RCF4821STAM	46500 [13.6]	34200 [10.0]	12300 [3.6]	14.00	11.50	1600 [755.1]	45000 [13.2]	3.60	29400 [8.6]	2.54	8.20

[] Designates Metric Conversions

Performance Data @ AHRI Standard Conditions – Heat Pump (con't.)

Note: Ratings contained in this document are subject to change. For up-to-date and expanded ratings, please visit the AHRI web site (www.ahridirectory.org).

R802V: Prestige 2-Stage 80% ECM Furnace Ratings													
Outdoor Unit	Furnace	Indoor Coil	Total Capacity BTU/H [kW]	Net Sensible BTU/H [kW]	Net Latent BTU/H [kW]	SEER	EER	Indoor CFM [L/s]	47 Degree Heating Capacity BTU/H [kW]	47 Degree COP	17 Degree Heating Capacity BTU/H [kW]	47 Degree COP	Region IV HSPF
RP1448FC1	R802VA100521ZSB	RCF4821STAM	46500 [13.6]	34200 [10.0]	12300 [3.6]	14.00	11.50	1600 [755.1]	45000 [13.2]	3.60	29400 [8.6]	2.54	8.20
		RCF4824STAM	46500 [13.6]	34200 [10.0]	12300 [3.6]	14.00	11.50	1600 [755.1]	45000 [13.2]	3.60	29400 [8.6]	2.54	8.20
RP1448FC1	R802VA100521ZXA	RCF4821STAM	46500 [13.6]	34200 [10.0]	12300 [3.6]	14.00	11.50	1600 [755.1]	45000 [13.2]	3.60	29400 [8.6]	2.54	8.20
		RCF4824STAM	46500 [13.6]	34200 [10.0]	12300 [3.6]	14.00	11.50	1600 [755.1]	45000 [13.2]	3.60	29400 [8.6]	2.54	8.20
RP1448FC1	R802VA100521ZXB	RCF4821STAM	46500 [13.6]	34200 [10.0]	12300 [3.6]	14.00	11.50	1600 [755.1]	45000 [13.2]	3.60	29400 [8.6]	2.54	8.20
		RCF4824STAM	46500 [13.6]	34200 [10.0]	12300 [3.6]	14.00	11.50	1600 [755.1]	45000 [13.2]	3.60	29400 [8.6]	2.54	8.20
RP1448FC1	R802VA125524MSA	RCF4824STAM	47000 [13.8]	34500 [10.1]	12500 [3.7]	14.00	11.50	1575 [743.3]	44500 [13.0]	3.66	29000 [8.5]	2.60	8.20
RP1448FC1	R802VA125524MXA	RCF4824STAM	47000 [13.8]	34500 [10.1]	12500 [3.7]	14.00	11.50	1575 [743.3]	44500 [13.0]	3.66	29000 [8.5]	2.60	8.20
RP1448FC1	R802VA125524ZSA	RCF4824STAM	46000 [13.5]	32400 [9.5]	13600 [4.0]	14.00	11.50	1400 [660.7]	44000 [12.9]	3.60	28400 [8.3]	2.54	8.20
RP1448FC1	R802VA125524ZSB	RCF4824STAM	46000 [13.5]	32400 [9.5]	13600 [4.0]	14.00	11.50	1400 [660.7]	44000 [12.9]	3.60	28400 [8.3]	2.54	8.20
RP1448FC1	R802VA125524ZXA	RCF4824STAM	46000 [13.5]	32400 [9.5]	13600 [4.0]	14.00	11.50	1400 [660.7]	44000 [12.9]	3.60	28400 [8.3]	2.54	8.20
RP1448FC1	R802VA125524ZXB	RCF4824STAM	46000 [13.5]	32400 [9.5]	13600 [4.0]	14.00	11.50	1400 [660.7]	44000 [12.9]	3.60	28400 [8.3]	2.54	8.20
RP1448FC1	R802VB075421ZSB	RCF4821STAM	46000 [13.5]	32700 [9.6]	13300 [3.9]	14.00	11.50	1450 [684.3]	44500 [13.0]	3.60	29000 [8.5]	2.50	8.20
		RCF4824STAM	46000 [13.5]	32700 [9.6]	13300 [3.9]	14.00	11.50	1450 [684.3]	44500 [13.0]	3.60	29000 [8.5]	2.50	8.20
RP1448FC1	R802VB075421ZXB	RCF4821STAM	46000 [13.5]	32700 [9.6]	13300 [3.9]	14.00	11.50	1450 [684.3]	44500 [13.0]	3.60	29000 [8.5]	2.50	8.20
		RCF4824STAM	46000 [13.5]	32700 [9.6]	13300 [3.9]	14.00	11.50	1450 [684.3]	44500 [13.0]	3.60	29000 [8.5]	2.50	8.20
RP1448FC1	R802VB100521ZSB	RCF4821STAM	46500 [13.6]	34200 [10.0]	12300 [3.6]	14.00	11.50	1600 [755.1]	45000 [13.2]	3.60	29400 [8.6]	2.54	8.20
		RCF4824STAM	46500 [13.6]	34200 [10.0]	12300 [3.6]	14.00	11.50	1600 [755.1]	45000 [13.2]	3.60	29400 [8.6]	2.54	8.20
RP1448FC1	R802VB100521ZXB	RCF4821STAM	46500 [13.6]	34200 [10.0]	12300 [3.6]	14.00	11.50	1600 [755.1]	45000 [13.2]	3.60	29400 [8.6]	2.54	8.20
		RCF4824STAM	46500 [13.6]	34200 [10.0]	12300 [3.6]	14.00	11.50	1600 [755.1]	45000 [13.2]	3.60	29400 [8.6]	2.54	8.20
RP1448FC1	R802VB125524ZSB	RCF4824STAM	46000 [13.5]	32400 [9.5]	13600 [4.0]	14.00	11.50	1400 [660.7]	44000 [12.9]	3.60	28400 [8.3]	2.54	8.20
RP1448FC1	R802VB125524ZXB	RCF4824STAM	46000 [13.5]	32400 [9.5]	13600 [4.0]	14.00	11.50	1400 [660.7]	44000 [12.9]	3.60	28400 [8.3]	2.54	8.20
RP1448FJ1	R802VA075421MSA	RCF4821STAM	46000 [13.5]	32600 [9.6]	13400 [3.9]	14.00	11.50	1425 [672.5]	44000 [12.9]	3.66	28400 [8.3]	2.54	8.20
		RCF4824STAM	46000 [13.5]	32600 [9.6]	13400 [3.9]	14.00	11.50	1425 [672.5]	44000 [12.9]	3.66	28400 [8.3]	2.54	8.20
RP1448FJ1	R802VA075421MXA	RCF4821STAM	46000 [13.5]	32600 [9.6]	13400 [3.9]	14.00	11.50	1425 [672.5]	44000 [12.9]	3.66	28400 [8.3]	2.54	8.20
		RCF4824STAM	46000 [13.5]	32600 [9.6]	13400 [3.9]	14.00	11.50	1425 [672.5]	44000 [12.9]	3.66	28400 [8.3]	2.54	8.20
RP1448FJ1	R802VA075421ZSA	RCF4821STAM	46000 [13.5]	32700 [9.6]	13300 [3.9]	14.00	11.50	1450 [684.3]	44500 [13.0]	3.60	29000 [8.5]	2.50	8.20
		RCF4824STAM	46000 [13.5]	32700 [9.6]	13300 [3.9]	14.00	11.50	1450 [684.3]	44500 [13.0]	3.60	29000 [8.5]	2.50	8.20
RP1448FJ1	R802VA075421ZSB	RCF4821STAM	46000 [13.5]	32700 [9.6]	13300 [3.9]	14.00	11.50	1450 [684.3]	44500 [13.0]	3.60	29000 [8.5]	2.50	8.20
		RCF4824STAM	46000 [13.5]	32700 [9.6]	13300 [3.9]	14.00	11.50	1450 [684.3]	44500 [13.0]	3.60	29000 [8.5]	2.50	8.20
RP1448FJ1	R802VA075421ZXA	RCF4821STAM	46000 [13.5]	32700 [9.6]	13300 [3.9]	14.00	11.50	1450 [684.3]	44500 [13.0]	3.60	29000 [8.5]	2.50	8.20
		RCF4824STAM	46000 [13.5]	32700 [9.6]	13300 [3.9]	14.00	11.50	1450 [684.3]	44500 [13.0]	3.60	29000 [8.5]	2.50	8.20
RP1448FJ1	R802VA075421ZXB	RCF4821STAM	46000 [13.5]	32700 [9.6]	13300 [3.9]	14.00	11.50	1450 [684.3]	44500 [13.0]	3.60	29000 [8.5]	2.50	8.20
		RCF4824STAM	46000 [13.5]	32700 [9.6]	13300 [3.9]	14.00	11.50	1450 [684.3]	44500 [13.0]	3.60	29000 [8.5]	2.50	8.20

[] Designates Metric Conversions

Performance Data @ AHRI Standard Conditions – Heat Pump (con't.)

Note: Ratings contained in this document are subject to change. For up-to-date and expanded ratings, please visit the AHRI web site (www.ahridirectory.org).

R802V: Prestige 2-Stage 80% ECM Furnace Ratings													
Outdoor Unit	Furnace	Indoor Coil	Total Capacity BTU/H [kW]	Net Sensible BTU/H [kW]	Net Latent BTU/H [kW]	SEER	EER	Indoor CFM [L/s]	47 Degree Heating Capacity BTU/H [kW]	47 Degree COP	17 Degree Heating Capacity BTU/H [kW]	47 Degree COP	Region IV HSPF
RP1448FJ1	R802VA100521MSA	RCF4821STAM	47000 [13.8]	34500 [10.1]	12500 [3.7]	14.00	11.50	1575 [743.3]	44500 [13.0]	3.66	29000 [8.5]	2.60	8.20
		RCF4824STAM	47000 [13.8]	34500 [10.1]	12500 [3.7]	14.00	11.50	1575 [743.3]	44500 [13.0]	3.66	29000 [8.5]	2.60	8.20
RP1448FJ1	R802VA100521MXA	RCF4821STAM	47000 [13.8]	34500 [10.1]	12500 [3.7]	14.00	11.50	1575 [743.3]	44500 [13.0]	3.66	29000 [8.5]	2.60	8.20
		RCF4824STAM	47000 [13.8]	34500 [10.1]	12500 [3.7]	14.00	11.50	1575 [743.3]	44500 [13.0]	3.66	29000 [8.5]	2.60	8.20
RP1448FJ1	R802VA100521ZSA	RCF4821STAM	46500 [13.6]	34200 [10.0]	12300 [3.6]	14.00	11.50	1600 [755.1]	45000 [13.2]	3.60	29400 [8.6]	2.54	8.20
		RCF4824STAM	46500 [13.6]	34200 [10.0]	12300 [3.6]	14.00	11.50	1600 [755.1]	45000 [13.2]	3.60	29400 [8.6]	2.54	8.20
RP1448FJ1	R802VA100521ZSB	RCF4821STAM	46500 [13.6]	34200 [10.0]	12300 [3.6]	14.00	11.50	1600 [755.1]	45000 [13.2]	3.60	29400 [8.6]	2.54	8.20
		RCF4824STAM	46500 [13.6]	34200 [10.0]	12300 [3.6]	14.00	11.50	1600 [755.1]	45000 [13.2]	3.60	29400 [8.6]	2.54	8.20
RP1448FJ1	R802VA100521ZXA	RCF4821STAM	46500 [13.6]	34200 [10.0]	12300 [3.6]	14.00	11.50	1600 [755.1]	45000 [13.2]	3.60	29400 [8.6]	2.54	8.20
		RCF4824STAM	46500 [13.6]	34200 [10.0]	12300 [3.6]	14.00	11.50	1600 [755.1]	45000 [13.2]	3.60	29400 [8.6]	2.54	8.20
RP1448FJ1	R802VA100521ZXB	RCF4821STAM	46500 [13.6]	34200 [10.0]	12300 [3.6]	14.00	11.50	1600 [755.1]	45000 [13.2]	3.60	29400 [8.6]	2.54	8.20
		RCF4824STAM	46500 [13.6]	34200 [10.0]	12300 [3.6]	14.00	11.50	1600 [755.1]	45000 [13.2]	3.60	29400 [8.6]	2.54	8.20
RP1448FJ1	R802VA125524MSA	RCF4824STAM	47000 [13.8]	34500 [10.1]	12500 [3.7]	14.00	11.50	1575 [743.3]	44500 [13.0]	3.66	29000 [8.5]	2.60	8.20
RP1448FJ1	R802VA125524MXA	RCF4824STAM	47000 [13.8]	34500 [10.1]	12500 [3.7]	14.00	11.50	1575 [743.3]	44500 [13.0]	3.66	29000 [8.5]	2.60	8.20
RP1448FJ1	R802VA125524ZSA	RCF4824STAM	46000 [13.5]	32400 [9.5]	13600 [4.0]	14.00	11.50	1400 [660.7]	44000 [12.9]	3.60	28400 [8.3]	2.54	8.20
RP1448FJ1	R802VA125524ZSB	RCF4824STAM	46000 [13.5]	32400 [9.5]	13600 [4.0]	14.00	11.50	1400 [660.7]	44000 [12.9]	3.60	28400 [8.3]	2.54	8.20
RP1448FJ1	R802VA125524ZXA	RCF4824STAM	46000 [13.5]	32400 [9.5]	13600 [4.0]	14.00	11.50	1400 [660.7]	44000 [12.9]	3.60	28400 [8.3]	2.54	8.20
RP1448FJ1	R802VA125524ZXB	RCF4824STAM	46000 [13.5]	32400 [9.5]	13600 [4.0]	14.00	11.50	1400 [660.7]	44000 [12.9]	3.60	28400 [8.3]	2.54	8.20
RP1448FJ1	R802VB075421ZSB	RCF4821STAM	46000 [13.5]	32700 [9.6]	13300 [3.9]	14.00	11.50	1450 [684.3]	44500 [13.0]	3.60	29000 [8.5]	2.50	8.20
		RCF4824STAM	46000 [13.5]	32700 [9.6]	13300 [3.9]	14.00	11.50	1450 [684.3]	44500 [13.0]	3.60	29000 [8.5]	2.50	8.20
RP1448FJ1	R802VB075421ZXB	RCF4821STAM	46000 [13.5]	32700 [9.6]	13300 [3.9]	14.00	11.50	1450 [684.3]	44500 [13.0]	3.60	29000 [8.5]	2.50	8.20
		RCF4824STAM	46000 [13.5]	32700 [9.6]	13300 [3.9]	14.00	11.50	1450 [684.3]	44500 [13.0]	3.60	29000 [8.5]	2.50	8.20
RP1448FJ1	R802VB100521ZSB	RCF4821STAM	46500 [13.6]	34200 [10.0]	12300 [3.6]	14.00	11.50	1600 [755.1]	45000 [13.2]	3.60	29400 [8.6]	2.54	8.20
		RCF4824STAM	46500 [13.6]	34200 [10.0]	12300 [3.6]	14.00	11.50	1600 [755.1]	45000 [13.2]	3.60	29400 [8.6]	2.54	8.20
RP1448FJ1	R802VB100521ZXB	RCF4821STAM	46500 [13.6]	34200 [10.0]	12300 [3.6]	14.00	11.50	1600 [755.1]	45000 [13.2]	3.60	29400 [8.6]	2.54	8.20
		RCF4824STAM	46500 [13.6]	34200 [10.0]	12300 [3.6]	14.00	11.50	1600 [755.1]	45000 [13.2]	3.60	29400 [8.6]	2.54	8.20
RP1448FJ1	R802VB125524ZSB	RCF4824STAM	46500 [13.6]	34200 [10.0]	12300 [3.6]	14.00	11.50	1600 [755.1]	45000 [13.2]	3.60	29400 [8.6]	2.54	8.20
RP1448FJ1	R802VB125524ZXB	RCF4824STAM	46000 [13.5]	32400 [9.5]	13600 [4.0]	14.00	11.50	1400 [660.7]	44000 [12.9]	3.60	28400 [8.3]	2.54	8.20
RP1448FJ1	R802VB125524ZXB	RCF4824STAM	46000 [13.5]	32400 [9.5]	13600 [4.0]	14.00	11.50	1400 [660.7]	44000 [12.9]	3.60	28400 [8.3]	2.54	8.20
RP1460FC1	R802VA075421MSA	RCF6024HTAM	57000 [16.7]	40800 [12.0]	16200 [4.7]	14.00	11.50	1725 [814.1]	56000 [16.4]	3.70	35800 [10.5]	2.60	8.20
		RCF6024STAM	57000 [16.7]	40800 [12.0]	16200 [4.7]	14.00	11.50	1725 [814.1]	56000 [16.4]	3.70	35800 [10.5]	2.60	8.20
RP1460FC1	R802VA075421MXA	RCF6024HTAM	57000 [16.7]	40800 [12.0]	16200 [4.7]	14.00	11.50	1725 [814.1]	56000 [16.4]	3.70	35800 [10.5]	2.60	8.20
		RCF6024STAM	57000 [16.7]	40800 [12.0]	16200 [4.7]	14.00	11.50	1725 [814.1]	56000 [16.4]	3.70	35800 [10.5]	2.60	8.20
RP1460FC1	R802VA100521MSA	RCF6024HTAM	58000 [17.0]	42200 [12.4]	15800 [4.6]	14.00	11.50	1775 [837.7]	56000 [16.4]	3.80	35800 [10.5]	2.66	8.20
		RCF6024STAM	58000 [17.0]	42200 [12.4]	15800 [4.6]	14.00	11.50	1775 [837.7]	56000 [16.4]	3.80	35800 [10.5]	2.66	8.20

[] Designates Metric Conversions

Performance Data @ AHRI Standard Conditions – Heat Pump (con't.)

Note: Ratings contained in this document are subject to change. For up-to-date and expanded ratings, please visit the AHRI web site (www.ahridirectory.org).

R802V: Prestige 2-Stage 80% ECM Furnace Ratings													
Outdoor Unit	Furnace	Indoor Coil	Total Capacity BTU/H [kW]	Net Sensible BTU/H [kW]	Net Latent BTU/H [kW]	SEER	EER	Indoor CFM [L/s]	47 Degree Heating Capacity [kW]	47 Degree COP	17 Degree Heating Capacity [kW]	47 Degree COP	Region IV HSPF
RP1460FC1	R802VA100521MXA	RCF6024HTAM	58000 [17.0]	42200 [12.4]	15800 [4.6]	14.00	11.50	1775 [837.7]	56000 [16.4]	3.80	35800 [10.5]	2.66	8.20
RP1460FC1	R802VA100521ZSA	RCF6024STAM	57500 [16.9]	41900 [12.3]	15600 [4.6]	14.00	11.50	1800 [849.5]	56500 [16.6]	3.70	36200 [10.6]	2.60	8.20
RP1460FC1	R802VA100521ZSB	RCF6024HTAM	57500 [16.9]	41900 [12.3]	15600 [4.6]	14.00	11.50	1800 [849.5]	56500 [16.6]	3.70	36200 [10.6]	2.60	8.20
RP1460FC1	R802VA100521ZXA	RCF6024STAM	57500 [16.9]	41900 [12.3]	15600 [4.6]	14.00	11.50	1800 [849.5]	56500 [16.6]	3.70	36200 [10.6]	2.60	8.20
RP1460FC1	R802VA100521ZXB	RCF6024HTAM	57500 [16.9]	41900 [12.3]	15600 [4.6]	14.00	11.50	1800 [849.5]	56500 [16.6]	3.70	36200 [10.6]	2.60	8.20
RP1460FC1	R802VA125524MSA	RCF6024STAM	58000 [17.0]	42200 [12.4]	15800 [4.6]	14.00	11.50	1775 [837.7]	56000 [16.4]	3.80	35600 [10.4]	2.66	8.20
RP1460FC1	R802VA125524MXA	RCF6024HTAM	58000 [17.0]	42200 [12.4]	15800 [4.6]	14.00	11.50	1775 [837.7]	56000 [16.4]	3.80	35600 [10.4]	2.66	8.20
RP1460FC1	R802VA125524ZSA	RCF6024STAM	57500 [16.9]	41500 [12.2]	16000 [4.7]	14.00	11.50	1750 [825.9]	56500 [16.6]	3.76	36000 [10.6]	2.60	8.20
RP1460FC1	R802VA125524ZSB	RCF6024HTAM	57500 [16.9]	41500 [12.2]	16000 [4.7]	14.00	11.50	1750 [825.9]	56500 [16.6]	3.76	36000 [10.6]	2.60	8.20
RP1460FC1	R802VA125524ZXA	RCF6024STAM	57500 [16.9]	41500 [12.2]	16000 [4.7]	14.00	11.50	1750 [825.9]	56500 [16.6]	3.76	36000 [10.6]	2.60	8.20
RP1460FC1	R802VA125524ZXB	RCF6024HTAM	57500 [16.9]	41500 [12.2]	16000 [4.7]	14.00	11.50	1750 [825.9]	56500 [16.6]	3.76	36000 [10.6]	2.60	8.20
RP1460FC1	R802VB100521ZSB	RCF6024STAM	57500 [16.9]	41900 [12.3]	15600 [4.6]	14.00	11.50	1800 [849.5]	56500 [16.6]	3.70	36200 [10.6]	2.60	8.20
RP1460FC1	R802VB100521ZXB	RCF6024HTAM	57500 [16.9]	41900 [12.3]	15600 [4.6]	14.00	11.50	1800 [849.5]	56500 [16.6]	3.70	36200 [10.6]	2.60	8.20
RP1460FC1	R802VB125524ZSB	RCF6024STAM	57500 [16.9]	41500 [12.2]	16000 [4.7]	14.00	11.50	1750 [825.9]	56500 [16.6]	3.76	36000 [10.6]	2.60	8.20
RP1460FC1	R802VB125524ZXB	RCF6024HTAM	57500 [16.9]	41500 [12.2]	16000 [4.7]	14.00	11.50	1750 [825.9]	56500 [16.6]	3.76	36000 [10.6]	2.60	8.20
RP1460FJ1	R802VA075421MSA	RCF6024HTAM	57000 [16.7]	40800 [12.0]	16200 [4.7]	14.00	11.50	1725 [814.1]	56000 [16.4]	3.70	35800 [10.5]	2.60	8.20
RP1460FJ1	R802VA075421MXA	RCF6024STAM	57000 [16.7]	40800 [12.0]	16200 [4.7]	14.00	11.50	1725 [814.1]	56000 [16.4]	3.70	35800 [10.5]	2.60	8.20

[] Designates Metric Conversions

Performance Data @ AHRI Standard Conditions – Heat Pump (con't.)

Note: Ratings contained in this document are subject to change. For up-to-date and expanded ratings, please visit the AHRI web site (www.ahridirectory.org).

R802V: Prestige 2-Stage 80% ECM Furnace Ratings													
Outdoor Unit	Furnace	Indoor Coil	Total Capacity BTU/H [kW]	Net Sensible BTU/H [kW]	Net Latent BTU/H [kW]	SEER	EER	Indoor CFM [L/s]	47 Degree Heating Capacity BTU/H [kW]	47 Degree COP	17 Degree Heating Capacity BTU/H [kW]	47 Degree COP	Region IV HSPF
RP1460FJ1	R802VA100521MSA	RCF6024HTAM	58000 [17.0]	42200 [12.4]	15800 [4.6]	14.00	11.50	1775 [837.7]	56000 [16.4]	3.80	35800 [10.5]	2.66	8.20
RP1460FJ1	R802VA100521MXA	RCF6024STAM	58000 [17.0]	42200 [12.4]	15800 [4.6]	14.00	11.50	1775 [837.7]	56000 [16.4]	3.80	35800 [10.5]	2.66	8.20
RP1460FJ1	R802VA100521ZSA	RCF6024HTAM	58000 [17.0]	42200 [12.4]	15800 [4.6]	14.00	11.50	1775 [837.7]	56000 [16.4]	3.80	35800 [10.5]	2.66	8.20
RP1460FJ1	R802VA100521ZSB	RCF6024STAM	57500 [16.9]	41900 [12.3]	15600 [4.6]	14.00	11.50	1800 [849.5]	55500 [16.6]	3.70	36200 [10.6]	2.60	8.20
RP1460FJ1	R802VA100521ZXA	RCF6024HTAM	57500 [16.9]	41900 [12.3]	15600 [4.6]	14.00	11.50	1800 [849.5]	55500 [16.6]	3.70	36200 [10.6]	2.60	8.20
RP1460FJ1	R802VA100521ZXB	RCF6024STAM	57500 [16.9]	41900 [12.3]	15600 [4.6]	14.00	11.50	1800 [849.5]	55500 [16.6]	3.70	36200 [10.6]	2.60	8.20
RP1460FJ1	R802VA125524MSA	RCF6024HTAM	58000 [17.0]	42200 [12.4]	15800 [4.6]	14.00	11.50	1775 [837.7]	56000 [16.4]	3.80	35600 [10.4]	2.66	8.20
RP1460FJ1	R802VA125524MXA	RCF6024STAM	58000 [17.0]	42200 [12.4]	15800 [4.6]	14.00	11.50	1775 [837.7]	56000 [16.4]	3.80	35600 [10.4]	2.66	8.20
RP1460FJ1	R802VA125524ZSA	RCF6024HTAM	57500 [16.9]	41500 [12.2]	16000 [4.7]	14.00	11.50	1750 [825.9]	56500 [16.6]	3.76	36000 [10.6]	2.60	8.20
RP1460FJ1	R802VA125524ZSB	RCF6024STAM	57500 [16.9]	41500 [12.2]	16000 [4.7]	14.00	11.50	1750 [825.9]	56500 [16.6]	3.76	36000 [10.6]	2.60	8.20
RP1460FJ1	R802VA125524ZXA	RCF6024HTAM	57500 [16.9]	41500 [12.2]	16000 [4.7]	14.00	11.50	1750 [825.9]	56500 [16.6]	3.76	36000 [10.6]	2.60	8.20
RP1460FJ1	R802VA125524ZXB	RCF6024STAM	57500 [16.9]	41500 [12.2]	16000 [4.7]	14.00	11.50	1750 [825.9]	56500 [16.6]	3.76	36000 [10.6]	2.60	8.20
RP1460FJ1	R802VB100521ZSB	RCF6024HTAM	57500 [16.9]	41900 [12.3]	15600 [4.6]	14.00	11.50	1800 [849.5]	56500 [16.6]	3.70	36200 [10.6]	2.60	8.20
RP1460FJ1	R802VB100521ZXB	RCF6024STAM	57500 [16.9]	41900 [12.3]	15600 [4.6]	14.00	11.50	1800 [849.5]	56500 [16.6]	3.70	36200 [10.6]	2.60	8.20
RP1460FJ1	R802VB125524ZSB	RCF6024HTAM	57500 [16.9]	41500 [12.2]	16000 [4.7]	14.00	11.50	1750 [825.9]	56500 [16.6]	3.76	36000 [10.6]	2.60	8.20
RP1460FJ1	R802VB125524ZXB	RCF6024STAM	57500 [16.9]	41500 [12.2]	16000 [4.7]	14.00	11.50	1750 [825.9]	56500 [16.6]	3.76	36000 [10.6]	2.60	8.20

[] Designates Metric Conversions

Performance Data @ AHRI Standard Conditions – Heat Pump (con't.)

Note: Ratings contained in this document are subject to change. For up-to-date and expanded ratings, please visit the AHRI web site (www.ahridirectory.org).

R95T: 95% AFUE single-stage Constant Torque Multiphase Gas Furnace Ratings													
Outdoor Unit	Furnace	Indoor Coil	Total Capacity BTU/H [kW]	Net Sensible BTU/H [kW]	Net Latent BTU/H [kW]	SEER	EER	Indoor CFM [L/s]	47 Degree Heating Capacity BTU/H [kW]	47 Degree COP	17 Degree Heating Capacity BTU/H [kW]	47 Degree COP	Region IV HSPF
RP1418FJ1	R95TA0401317MSA	RCF2417STAM	18000 [5.3]	14000 [4.1]	4000 [1.2]	14.00	11.50	650 [306.8]	15800 [4.6]	3.60	9200 [2.7]	2.34	8.20
RP1424FJ1	R95TA0401317MSA	RCF2417STAM	24000 [7.0]	17900 [5.2]	6100 [1.8]	14.00	11.50	850 [401.2]	22000 [6.4]	3.66	13600 [4.0]	2.46	8.20
RP1424FJ1	R95TA0601317MSA	RCF2417STAM	24000 [7.0]	17900 [5.2]	6100 [1.8]	14.00	11.50	875 [413.0]	22200 [6.5]	3.54	13800 [4.0]	2.40	8.20
RP1424FJ1	R95TA0701317MSA	RCF2417STAM	23800 [7.0]	17700 [5.2]	6100 [1.8]	14.00	11.50	825 [389.4]	22200 [6.5]	3.60	13700 [4.0]	2.46	8.20
RP1430FJ1	R95TA0401317MSA	RCF3617STAM	28800 [8.4]	21400 [6.3]	7400 [2.2]	14.00	11.50	925 [436.6]	26600 [7.8]	3.60	16300 [4.8]	2.30	8.20
RP1430FJ1	R95TA0601317MSA	RCF3621STAM	28800 [8.4]	21500 [6.3]	7300 [2.1]	14.00	11.50	950 [448.4]	26800 [7.9]	3.66	16500 [4.8]	2.34	8.20
RP1430FJ1	R95TA0601317MSA	RCF3617STAM	29000 [8.5]	21900 [6.4]	7100 [2.1]	14.00	11.50	1025 [483.7]	27400 [8.0]	3.60	17000 [5.0]	2.34	8.20
RP1430FJ1	R95TA0701317MSA	RCF3621STAM	29000 [8.5]	21900 [6.4]	7100 [2.1]	14.00	11.50	1025 [483.7]	27400 [8.0]	3.60	17000 [5.0]	2.34	8.20
RP1430FJ1	R95TA0701317MSA	RCF3617STAM	28600 [8.4]	21200 [6.2]	7400 [2.2]	14.00	11.50	925 [436.6]	26600 [7.8]	3.50	16400 [4.8]	2.26	8.20
RP1430FJ1	R95TA0701317MSA	RCF3621STAM	28600 [8.4]	21200 [6.2]	7400 [2.2]	14.00	11.50	925 [436.6]	26800 [7.9]	3.54	16600 [4.9]	2.30	8.20
RP1436FC1	R95TA0401317MSA	RCF3617STAM	35000 [10.3]	25500 [7.5]	9500 [2.8]	14.00	11.50	1125 [530.9]	34000 [10.0]	3.54	22200 [6.5]	2.54	8.20
RP1436FC1	R95TA0601317MSA	RCF3621STAM	35200 [10.3]	25800 [7.6]	9400 [2.8]	14.00	11.50	1150 [542.7]	34200 [10.0]	3.60	22400 [6.6]	2.60	8.20
RP1436FC1	R95TA0701317MSA	RCF3617STAM	34600 [10.1]	24900 [7.3]	9700 [2.8]	14.00	11.50	1075 [507.3]	33800 [9.9]	3.46	22200 [6.5]	2.50	8.20
RP1436FC1	R95TA0701317MSA	RCF3621STAM	34800 [10.2]	25200 [7.4]	9600 [2.8]	14.00	11.50	1100 [519.1]	34000 [10.0]	3.54	22400 [6.6]	2.50	8.20
RP1436FC1	R95TA0401317MSA	RCF3617STAM	35000 [10.3]	25500 [7.5]	9500 [2.8]	14.00	11.50	1125 [530.9]	34000 [10.0]	3.54	22200 [6.5]	2.54	8.20
RP1436FC1	R95TA0601317MSA	RCF3621STAM	35200 [10.3]	25800 [7.6]	9400 [2.8]	14.00	11.50	1150 [542.7]	34200 [10.0]	3.60	22400 [6.6]	2.60	8.20
RP1436FC1	R95TA0701317MSA	RCF3617STAM	34600 [10.1]	24900 [7.3]	9700 [2.8]	14.00	11.50	1075 [507.3]	33800 [9.9]	3.46	22200 [6.5]	2.50	8.20
RP1436FC1	R95TA0701317MSA	RCF3621STAM	34800 [10.2]	25200 [7.4]	9600 [2.8]	14.00	11.50	1100 [519.1]	34000 [10.0]	3.54	22400 [6.6]	2.50	8.20
RP1442FC1	R95TA0851521MSA	RCF4821STAM	42000 [12.3]	29800 [8.7]	12200 [3.6]	14.00	11.50	1325 [625.3]	40500 [11.9]	3.70	26000 [7.6]	2.54	8.20
RP1442FC1	R95TA0851521MSB	RCF4824STAM	42000 [12.3]	29800 [8.7]	12200 [3.6]	14.00	11.50	1325 [625.3]	40500 [11.9]	3.70	26000 [7.6]	2.54	8.20
RP1442FC1	R95TA1001521MSA	RCF4821STAM	42000 [12.3]	30200 [8.9]	11800 [3.5]	14.00	11.50	1400 [660.7]	40500 [11.9]	3.66	26000 [7.6]	2.54	8.20
RP1442FC1	R95TA1151524MSA	RCF4824STAM	42000 [12.3]	30200 [8.9]	11800 [3.5]	14.00	11.50	1400 [660.7]	40500 [11.9]	3.66	26000 [7.6]	2.54	8.20
RP1442FC1	R95TA1151524MSA	RCF4824STAM	41500 [12.2]	29000 [8.5]	12500 [3.7]	14.00	11.50	1275 [601.7]	40500 [11.9]	3.70	25800 [7.6]	2.60	8.20
RP1442FJ1	R95TA0851521MSA	RCF4821STAM	42000 [12.3]	29800 [8.7]	12200 [3.6]	14.00	11.50	1325 [625.3]	40500 [11.9]	3.70	26000 [7.6]	2.54	8.20
RP1442FJ1	R95TA0851521MSB	RCF4824STAM	42000 [12.3]	29800 [8.7]	12200 [3.6]	14.00	11.50	1325 [625.3]	40500 [11.9]	3.70	26000 [7.6]	2.54	8.20
RP1442FJ1	R95TA1001521MSA	RCF4821STAM	42000 [12.3]	30200 [8.9]	11800 [3.5]	14.00	11.50	1400 [660.7]	40500 [11.9]	3.66	26000 [7.6]	2.54	8.20
RP1442FJ1	R95TA1151524MSA	RCF4824STAM	42000 [12.3]	30200 [8.9]	11800 [3.5]	14.00	11.50	1400 [660.7]	40500 [11.9]	3.66	26000 [7.6]	2.54	8.20
RP1442FJ1	R95TA1151524MSA	RCF4824STAM	41500 [12.2]	29000 [8.5]	12500 [3.7]	14.00	11.50	1275 [601.7]	40500 [11.9]	3.70	25800 [7.6]	2.60	8.20
RP1448FC1	R95TA0851521MSA	RCF4821STAM	46000 [13.5]	32600 [9.6]	13400 [3.9]	14.00	11.50	1425 [672.5]	45000 [13.2]	3.54	29400 [8.6]	2.54	8.20
RP1448FC1	R95TA0851521MSA	RCF4824STAM	46000 [13.5]	32600 [9.6]	13400 [3.9]	14.00	11.50	1425 [672.5]	45000 [13.2]	3.54	29400 [8.6]	2.54	8.20

[] Designates Metric Conversions

Performance Data @ AHRI Standard Conditions – Heat Pump (con't.)

Note: Ratings contained in this document are subject to change. For up-to-date and expanded ratings, please visit the AHRI web site (www.ahridirectory.org).

R95T: 95% AFUE single-stage Constant Torque Multipoint Gas Furnace Ratings													
Outdoor Unit	Furnace	Indoor Coil	Total Capacity BTU/H [kW]	Net Sensible BTU/H [kW]	Net Latent BTU/H [kW]	SEER	EER	Indoor CFM [L/s]	47 Degree Heating Capacity BTU/H [kW]	47 Degree COP	17 Degree Heating Capacity BTU/H [kW]	47 Degree COP	Region IV HSPF
RP1448FC1	R95TA0851521MSB	RCF4821STAM	46000 [13.5]	32600 [9.6]	13400 [3.9]	14.00	11.50	1425 [672.5]	45000 [13.2]	3.54	29400 [8.6]	2.54	8.20
		RCF4824STAM	46000 [13.5]	32600 [9.6]	13400 [3.9]	14.00	11.50	1425 [672.5]	45000 [13.2]	3.54	29400 [8.6]	2.54	8.20
RP1448FC1	R95TA1001521MSA	RCF4821STAM	45500 [13.3]	31800 [9.3]	13700 [4.0]	14.00	11.50	1375 [648.9]	45000 [13.2]	3.60	28800 [8.4]	2.50	8.20
		RCF4824STAM	45500 [13.3]	31800 [9.3]	13700 [4.0]	14.00	11.50	1375 [648.9]	45000 [13.2]	3.60	28800 [8.4]	2.50	8.20
RP1448FC1	R95TA1151524MSA	RCF4824STAM	46000 [13.5]	33000 [9.7]	13000 [3.8]	14.00	11.50	1500 [707.9]	45000 [13.2]	3.54	29600 [8.7]	2.50	8.20
		RCF4821STAM	46000 [13.5]	32600 [9.6]	13400 [3.9]	14.00	11.50	1425 [672.5]	45000 [13.2]	3.54	29400 [8.6]	2.54	8.20
RP1448FJ1	R95TA0851521MSA	RCF4824STAM	46000 [13.5]	32600 [9.6]	13400 [3.9]	14.00	11.50	1425 [672.5]	45000 [13.2]	3.54	29400 [8.6]	2.54	8.20
		RCF4821STAM	46000 [13.5]	32600 [9.6]	13400 [3.9]	14.00	11.50	1425 [672.5]	45000 [13.2]	3.54	29400 [8.6]	2.54	8.20
RP1448FJ1	R95TA0851521MSB	RCF4824STAM	46000 [13.5]	32600 [9.6]	13400 [3.9]	14.00	11.50	1425 [672.5]	45000 [13.2]	3.54	29400 [8.6]	2.54	8.20
		RCF4821STAM	45500 [13.3]	31800 [9.3]	13700 [4.0]	14.00	11.50	1375 [648.9]	45000 [13.2]	3.60	28800 [8.4]	2.50	8.20
RP1448FJ1	R95TA1001524MSA	RCF4824STAM	45500 [13.3]	31800 [9.3]	13700 [4.0]	14.00	11.50	1375 [648.9]	45000 [13.2]	3.60	28800 [8.4]	2.50	8.20
		RCF4821STAM	46000 [13.5]	33000 [9.7]	13000 [3.8]	14.00	11.50	1500 [707.9]	45000 [13.2]	3.54	29600 [8.7]	2.50	8.20
RP1460FC1	R95TA1151524MSA	RCF6024HTAM	56500 [16.6]	39300 [11.5]	17200 [5.0]	14.00	11.50	1600 [755.1]	55500 [16.3]	3.66	35200 [10.3]	2.50	8.20
		RCF6024STAM	56500 [16.6]	39300 [11.5]	17200 [5.0]	14.00	11.50	1600 [755.1]	55500 [16.3]	3.66	35200 [10.3]	2.50	8.20
RP1460FJ1	R95TA1151524MSA	RCF6024HTAM	56500 [16.6]	39300 [11.5]	17200 [5.0]	14.00	11.50	1600 [755.1]	55500 [16.3]	3.66	35200 [10.3]	2.50	8.20
		RCF6024STAM	56500 [16.6]	39300 [11.5]	17200 [5.0]	14.00	11.50	1600 [755.1]	55500 [16.3]	3.66	35200 [10.3]	2.50	8.20

[] Designates Metric Conversions

Performance Data @ AHRI Standard Conditions – Heat Pump (con't.)

Note: Ratings contained in this document are subject to change. For up-to-date and expanded ratings, please visit the AHRI web site (www.ahridirectory.org).

R96V: 96% AFUE 2-stage Variable Speed Multiphase Gas Furnace Ratings

Outdoor Unit	Furnace	Indoor Coil	Total Capacity BTU/H [kW]	Net Sensible BTU/H [kW]	Net Latent BTU/H [kW]	SEER	EER	Indoor CFM [L/s]	47 Degree Heating Capacity BTU/H [kW]	47 Degree COP	17 Degree Heating Capacity BTU/H [kW]	47 Degree COP	Region IV HSPF
RP1418FJ1	R96VA0402317MSA	RCF2417STAM	18000 [5.3]	14000 [4.1]	4000 [1.2]	14.00	11.50	650 [306.8]	15800 [4.6]	3.60	9200 [2.7]	2.40	8.20
RP1418FJ1	R96VA0602317MSA	RCF2417STAM	18000 [5.3]	14000 [4.1]	4000 [1.2]	14.00	11.50	650 [306.8]	15800 [4.6]	3.54	9200 [2.7]	2.34	8.20
RP1418FJ1	R96VA0702317MSA	RCF2417STAM	18000 [5.3]	14000 [4.1]	4000 [1.2]	14.00	11.50	650 [306.8]	15800 [4.6]	3.60	9200 [2.7]	2.34	8.20
RP1424FJ1	R96VA0402317MSA	RCF2417STAM	24000 [7.0]	17900 [5.2]	6100 [1.8]	14.00	11.50	875 [413.0]	22200 [6.5]	3.60	13600 [4.0]	2.46	8.20
RP1424FJ1	R96VA0602317MSA	RCF2417STAM	24000 [7.0]	17900 [5.2]	6100 [1.8]	14.00	11.50	900 [424.8]	22200 [6.5]	3.54	13800 [4.0]	2.40	8.20
RP1424FJ1	R96VA0702317MSA	RCF2417STAM	23800 [7.0]	17600 [5.2]	6200 [1.8]	14.00	11.50	775 [365.8]	21800 [6.4]	3.60	13400 [3.9]	2.46	8.20
RP1430FJ1	R96VA0402317MSA	RCF3617STAM	29200 [8.6]	22100 [6.5]	7100 [2.1]	14.00	11.50	1025 [483.7]	27200 [8.0]	3.66	16800 [4.9]	2.34	8.20
RP1430FJ1	R96VA0602317MSA	RCF3621STAM	28800 [8.4]	21500 [6.3]	7300 [2.1]	14.00	11.50	950 [448.4]	26600 [7.8]	3.60	16300 [4.8]	2.30	8.20
RP1430FJ1	R96VA0702317MSA	RCF3617STAM	28800 [8.4]	21600 [6.3]	7200 [2.1]	14.00	11.50	975 [460.1]	26800 [7.9]	3.54	16600 [4.9]	2.30	8.20
RP1430FJ1	R96VA0602317MSA	RCF3621STAM	28800 [8.4]	21600 [6.3]	7200 [2.1]	14.00	11.50	975 [460.1]	26800 [7.9]	3.60	16500 [4.8]	2.30	8.20
RP1430FJ1	R96VA0702317MSA	RCF3617STAM	28800 [8.4]	21500 [6.3]	7300 [2.1]	14.00	11.50	950 [448.4]	26600 [7.8]	3.54	16400 [4.8]	2.30	8.20
RP1430FJ1	R96VA0852521MSB	RCF3621STAM	28800 [8.4]	21500 [6.3]	7300 [2.1]	14.00	11.50	950 [448.4]	26600 [7.8]	3.60	16300 [4.8]	2.30	8.20
RP1430FJ1	R96VA1002521MSA	RCF3621STAM	28800 [8.4]	21400 [6.3]	7400 [2.2]	14.00	11.50	925 [436.6]	26200 [7.7]	3.60	16100 [4.7]	2.30	8.20
RP1436FC1	R96VA0402317MSA	RCF3621STAM	29000 [8.5]	21900 [6.4]	7100 [2.1]	14.00	11.50	1000 [471.9]	26800 [7.9]	3.66	16500 [4.8]	2.34	8.20
RP1436FC1	R96VA0602317MSA	RCF3617STAM	35000 [10.3]	25500 [7.5]	9500 [2.8]	14.00	11.50	1125 [530.9]	33800 [9.9]	3.54	22200 [6.5]	2.54	8.20
RP1436FC1	R96VA0702317MSA	RCF3621STAM	35000 [10.3]	25500 [7.5]	9500 [2.8]	14.00	11.50	1125 [530.9]	33600 [9.8]	3.54	22200 [6.5]	2.54	8.20
RP1436FC1	R96VA0852521MSB	RCF3617STAM	34800 [10.2]	25300 [7.4]	9500 [2.8]	14.00	11.50	1125 [530.9]	33800 [9.9]	3.50	22400 [6.6]	2.50	8.20
RP1436FC1	R96VA0702317MSA	RCF3621STAM	34800 [10.2]	25300 [7.4]	9500 [2.8]	14.00	11.50	1125 [530.9]	33800 [9.9]	3.50	22200 [6.5]	2.54	8.20
RP1436FC1	R96VA0602317MSA	RCF3617STAM	35000 [10.3]	25600 [7.5]	9400 [2.8]	14.00	11.50	1150 [542.7]	34000 [10.0]	3.54	22400 [6.6]	2.54	8.20
RP1436FC1	R96VA0852521MSB	RCF3621STAM	35400 [10.4]	26400 [7.7]	9000 [2.6]	14.00	11.50	1225 [578.1]	34000 [10.0]	3.66	22600 [6.6]	2.66	8.20
RP1436FC1	R96VA1002521MSA	RCF3621STAM	35600 [10.4]	26700 [7.8]	8900 [2.6]	14.00	11.50	1250 [589.9]	34000 [10.0]	3.66	22600 [6.6]	2.60	8.20
RP1436FC1	R96VA0402317MSA	RCF3617STAM	35000 [10.3]	25500 [7.5]	9500 [2.8]	14.00	11.50	1125 [530.9]	33800 [9.9]	3.54	22200 [6.5]	2.54	8.20
RP1436FC1	R96VA0602317MSA	RCF3621STAM	35000 [10.3]	25500 [7.5]	9500 [2.8]	14.00	11.50	1125 [530.9]	33600 [9.8]	3.54	22200 [6.5]	2.54	8.20
RP1436FC1	R96VA0702317MSA	RCF3617STAM	34800 [10.2]	25300 [7.4]	9500 [2.8]	14.00	11.50	1125 [530.9]	33800 [9.9]	3.50	22400 [6.6]	2.50	8.20
RP1436FC1	R96VA0852521MSB	RCF3621STAM	34800 [10.2]	25300 [7.4]	9500 [2.8]	14.00	11.50	1125 [530.9]	33800 [9.9]	3.50	22200 [6.5]	2.54	8.20
RP1436FC1	R96VA0702317MSA	RCF3621STAM	35000 [10.3]	25600 [7.5]	9400 [2.8]	14.00	11.50	1150 [542.7]	34000 [10.0]	3.54	22400 [6.6]	2.54	8.20
RP1436FC1	R96VA0602317MSA	RCF3617STAM	35000 [10.3]	25600 [7.5]	9400 [2.8]	14.00	11.50	1150 [542.7]	33800 [9.9]	3.60	22200 [6.5]	2.60	8.20
RP1436FC1	R96VA0852521MSB	RCF3621STAM	35400 [10.4]	26400 [7.7]	9000 [2.6]	14.00	11.50	1225 [578.1]	34000 [10.0]	3.66	22600 [6.6]	2.66	8.20
RP1436FC1	R96VA1002521MSA	RCF3621STAM	35600 [10.4]	26700 [7.8]	8900 [2.6]	14.00	11.50	1250 [589.9]	34000 [10.0]	3.66	22600 [6.6]	2.60	8.20
RP1436FC1	R96VA0402317MSA	RCF3617STAM	35000 [10.3]	25500 [7.5]	9500 [2.8]	14.00	11.50	1125 [530.9]	33800 [9.9]	3.54	22200 [6.5]	2.54	8.20
RP1436FC1	R96VA0602317MSA	RCF3621STAM	35000 [10.3]	25500 [7.5]	9500 [2.8]	14.00	11.50	1125 [530.9]	33600 [9.8]	3.54	22200 [6.5]	2.54	8.20
RP1436FC1	R96VA0702317MSA	RCF3617STAM	34800 [10.2]	25300 [7.4]	9500 [2.8]	14.00	11.50	1125 [530.9]	33800 [9.9]	3.50	22400 [6.6]	2.50	8.20
RP1436FC1	R96VA0852521MSB	RCF3621STAM	34800 [10.2]	25300 [7.4]	9500 [2.8]	14.00	11.50	1125 [530.9]	33800 [9.9]	3.50	22200 [6.5]	2.54	8.20
RP1436FC1	R96VA0702317MSA	RCF3621STAM	35000 [10.3]	25600 [7.5]	9400 [2.8]	14.00	11.50	1150 [542.7]	34000 [10.0]	3.54	22400 [6.6]	2.54	8.20
RP1436FC1	R96VA0602317MSA	RCF3617STAM	35000 [10.3]	25600 [7.5]	9400 [2.8]	14.00	11.50	1150 [542.7]	33800 [9.9]	3.60	22200 [6.5]	2.60	8.20
RP1436FC1	R96VA0852521MSB	RCF3621STAM	35400 [10.4]	26400 [7.7]	9000 [2.6]	14.00	11.50	1225 [578.1]	34000 [10.0]	3.66	22600 [6.6]	2.66	8.20
RP1436FC1	R96VA1002521MSA	RCF3621STAM	35600 [10.4]	26700 [7.8]	8900 [2.6]	14.00	11.50	1250 [589.9]	34000 [10.0]	3.66	22600 [6.6]	2.60	8.20
RP1442FC1	R96VA0402317MSA	RCF4821STAM	41500 [12.2]	28800 [8.4]	12700 [3.7]	14.00	11.50	1225 [578.1]	39000 [11.4]	3.66	25200 [7.4]	2.54	8.20
RP1442FC1	R96VA0602317MSA	RCF4824STAM	41500 [12.2]	28800 [8.4]	12700 [3.7]	14.00	11.50	1225 [578.1]	39000 [11.4]	3.66	25200 [7.4]	2.54	8.20
RP1442FC1	R96VA0852521MSB	RCF4821STAM	41500 [12.2]	28900 [8.5]	12600 [3.7]	14.00	11.50	1250 [589.9]	39500 [11.6]	3.70	25200 [7.4]	2.54	8.20
RP1442FC1	R96VA1002521MSA	RCF4824STAM	41500 [12.2]	28900 [8.5]	12600 [3.7]	14.00	11.50	1250 [589.9]	39500 [11.6]	3.70	25200 [7.4]	2.54	8.20

[] Designates Metric Conversions

Performance Data @ AHRI Standard Conditions – Heat Pump (con't.)

Note: Ratings contained in this document are subject to change. For up-to-date and expanded ratings, please visit the AHRI web site (www.ahridirectory.org).

R96V, 96% AFUE 2-stage Variable Speed Multipoise Gas Furnace Ratings													
Outdoor Unit	Furnace	Indoor Coil	Total Capacity BTU/H [kW]	Net Sensible BTU/H [kW]	Net Latent BTU/H [kW]	SEER	EER	Indoor CFM [L/s]	47 Degree Heating Capacity BTU/H [kW]	47 Degree COP	17 Degree Heating Capacity BTU/H [kW]	47 Degree COP	Region IV HSPF
RP1442FC1	R96VA1152524MSA	RCF4824STAM	42000 [12.3]	30100 [8.8]	11900 [3.5]	14.00	11.50	1400 [660.7]	40000 [11.7]	3.76	25600 [7.5]	2.60	8.20
RP1442FJ1	R96VA0852521MSB	RCF4821STAM	41500 [12.2]	28800 [8.4]	12700 [3.7]	14.00	11.50	1225 [578.1]	39000 [11.4]	3.66	25200 [7.4]	2.54	8.20
RP1442FJ1	R96VA1002521MSA	RCF4824STAM	41500 [12.2]	28800 [8.4]	12700 [3.7]	14.00	11.50	1225 [578.1]	39000 [11.4]	3.66	25200 [7.4]	2.54	8.20
RP1442FJ1	R96VA1152524MSA	RCF4824STAM	41500 [12.2]	28900 [8.5]	12600 [3.7]	14.00	11.50	1250 [589.9]	39500 [11.6]	3.70	25200 [7.4]	2.54	8.20
RP1448FC1	R96VA0852521MSB	RCF4821STAM	45500 [13.3]	31600 [9.3]	13900 [4.1]	14.00	11.50	1350 [637.1]	43500 [12.7]	3.54	28400 [8.3]	2.50	8.20
RP1448FC1	R96VA1002521MSA	RCF4824STAM	46000 [13.5]	32900 [9.6]	13100 [3.8]	14.00	11.50	1475 [696.1]	45000 [13.2]	3.66	29000 [8.5]	2.54	8.20
RP1448FC1	R96VA1152524MSA	RCF4824STAM	46000 [13.5]	32900 [9.6]	13100 [3.8]	14.00	11.50	1475 [696.1]	45000 [13.2]	3.66	29000 [8.5]	2.54	8.20
RP1448FJ1	R96VA0852521MSB	RCF4824STAM	45500 [13.3]	31600 [9.3]	13900 [4.1]	14.00	11.50	1350 [637.1]	43500 [12.7]	3.54	28400 [8.3]	2.50	8.20
RP1448FJ1	R96VA1002521MSA	RCF4821STAM	46000 [13.5]	32900 [9.6]	13100 [3.8]	14.00	11.50	1475 [696.1]	45000 [13.2]	3.66	29000 [8.5]	2.54	8.20
RP1448FJ1	R96VA1152524MSA	RCF4824STAM	46000 [13.5]	32900 [9.6]	13100 [3.8]	14.00	11.50	1475 [696.1]	45000 [13.2]	3.66	29000 [8.5]	2.54	8.20
RP1460FC1	R96VA1002521MSA	RCF6024HTAM	56500 [16.6]	39500 [11.6]	17000 [5.0]	14.00	11.50	1625 [766.9]	55000 [16.1]	3.66	35200 [10.3]	2.54	8.20
RP1460FC1	R96VA1152524MSA	RCF6024STAM	56500 [16.6]	39500 [11.6]	17000 [5.0]	14.00	11.50	1625 [766.9]	55000 [16.1]	3.66	35200 [10.3]	2.54	8.20
RP1460FJ1	R96VA1002521MSA	RCF6024HTAM	57500 [16.9]	41300 [12.1]	16200 [4.7]	14.00	11.50	1725 [814.1]	56000 [16.4]	3.76	35600 [10.4]	2.60	8.20
RP1460FJ1	R96VA1152524MSA	RCF6024STAM	57500 [16.9]	41300 [12.1]	16200 [4.7]	14.00	11.50	1725 [814.1]	56000 [16.4]	3.76	35600 [10.4]	2.60	8.20
RP1460FJ1	R96VA1002521MSA	RCF6024HTAM	56500 [16.6]	39500 [11.6]	17000 [5.0]	14.00	11.50	1625 [766.9]	55000 [16.1]	3.66	35200 [10.3]	2.54	8.20
RP1460FJ1	R96VA1152524MSA	RCF6024STAM	57500 [16.9]	41300 [12.1]	16200 [4.7]	14.00	11.50	1725 [814.1]	56000 [16.4]	3.76	35600 [10.4]	2.60	8.20

[] Designates Metric Conversions



Air

Performance Data @ AHRI Standard Conditions – Heat Pump (con't.)

Note: Ratings contained in this document are subject to change. For up-to-date and expanded ratings, please visit the AHRI web site (www.ahridirectory.org).

Air Handler Ratings												
Outdoor Unit	Air Handler	Total Capacity BTU/H [kW]	Net Sensible BTU/H [kW]	Net Latent BTU/H [kW]	SEER	EER	Indoor CFM [L/s]	47 Degree Heating Capacity BTU/H [kW]	47 Degree COP	17 Degree Heating Capacity BTU/H [kW]	47 Degree COP	Region IV HSPF
RP1418FJ1	RF1T2421MTAN	18000 [5.3]	14400 [4.2]	3600 [1.1]	14.50	12.00	625 [295.0]	16400 [4.8]	3.66	9500 [2.8]	2.46	8.50
	RBHP-17	17800 [5.2]	13300 [3.9]	4500 [1.3]	14.50	12.00	600 [283.2]	16000 [4.7]	3.70	9300 [2.7]	2.40	8.50
	RH1P1817STAN	17900 [5.2]	13700 [4.0]	4200 [1.2]	14.00	11.50	600 [283.2]	15800 [4.6]	3.30	9400 [2.8]	2.20	8.20
	RH1V2417STAN	18000 [5.3]	14000 [4.1]	4000 [1.2]	14.50	12.00	650 [306.8]	15700 [4.6]	3.66	9100 [2.7]	2.40	8.50
RP1424FJ1	RF1T2421MTAN	23600 [6.9]	18300 [5.4]	5300 [1.6]	14.50	12.00	775 [365.8]	22000 [6.4]	3.60	13300 [3.9]	2.40	8.50
	RBHP-17	22800 [6.7]	16400 [4.8]	6400 [1.9]	14.50	12.00	800 [377.6]	20600 [6.0]	3.60	12300 [3.6]	2.34	8.50
	RH1P2417STAN	23600 [6.9]	17500 [5.1]	6100 [1.8]	14.00	11.50	800 [377.6]	22400 [6.6]	3.50	14000 [4.1]	2.34	8.20
	RH1V2417STAN	24000 [7.0]	17900 [5.2]	6100 [1.8]	14.50	12.00	850 [401.2]	22000 [6.4]	3.70	13500 [4.0]	2.50	8.50
RP1430FJ1	RF1T3624MTAN	28800 [8.4]	22100 [6.5]	6700 [2.0]	14.50	12.00	975 [460.1]	28400 [8.3]	3.60	17100 [5.0]	2.20	8.50
	RBHP-21	28800 [8.4]	21100 [6.2]	7700 [2.3]	14.50	12.00	1025 [483.7]	27000 [7.9]	3.70	16900 [5.0]	2.46	8.50
	RH1P3017STAN	28400 [8.3]	21100 [6.2]	7300 [2.1]	14.00	11.50	950 [448.4]	27200 [8.0]	3.50	16900 [5.0]	2.26	8.20
	RH1V3617STAN	29400 [8.6]	22300 [6.5]	7100 [2.1]	14.50	12.00	1025 [483.7]	27000 [7.9]	3.76	16500 [4.8]	2.40	8.50
RP1436FC1	RF1T3624MTAN	35200 [10.3]	24700 [7.2]	10100 [3.0]	14.50	12.00	1200 [566.3]	37000 [10.8]	3.70	23200 [6.8]	2.54	8.50
	RBHP-21	34800 [10.2]	24700 [7.2]	10100 [3.0]	14.50	12.00	1250 [589.9]	34600 [10.1]	3.70	22000 [6.4]	2.54	8.50
	RH1V3617STAN	35400 [10.4]	26200 [7.7]	9200 [2.7]	14.50	12.00	1200 [566.3]	34000 [10.0]	3.66	22400 [6.6]	2.66	8.50
	RF1T3624MTAN	35200 [10.3]	27900 [8.2]	7300 [2.1]	14.50	12.00	1200 [566.3]	37000 [10.8]	3.70	23200 [6.8]	2.54	8.50
RP1436FJ1	RF1T3624MTAN	34800 [10.2]	24700 [7.2]	10100 [3.0]	14.50	12.00	1250 [589.9]	34600 [10.1]	3.70	22000 [6.4]	2.54	8.50
	RBHP-21	34800 [10.2]	24700 [7.2]	10100 [3.0]	14.50	12.00	1200 [566.3]	34000 [10.0]	3.66	22400 [6.6]	2.66	8.50
	RH1V3617STAN	35400 [10.4]	26200 [7.7]	9200 [2.7]	14.50	12.00	1200 [566.3]	34000 [10.0]	3.70	22400 [6.6]	2.66	8.50
	RH1P4221STAN	41500 [12.2]	30700 [9.0]	10800 [3.2]	14.00	11.50	1400 [660.7]	41000 [12.0]	3.70	26800 [7.9]	2.60	8.20
RP1442FC1	RH1T4824STAN	42000 [12.3]	30100 [8.8]	11900 [3.5]	14.50	12.00	1550 [731.5]	40000 [11.7]	3.76	25800 [7.6]	2.60	8.50
	RH1V4821STAN	42000 [12.3]	30100 [8.8]	11900 [3.5]	14.50	12.00	1400 [660.7]	40000 [11.7]	3.76	25600 [7.5]	2.60	8.50
	RH1P4221STAN	41500 [12.2]	30700 [9.0]	10800 [3.2]	14.00	11.50	1400 [660.7]	41000 [12.0]	3.70	26800 [7.9]	2.60	8.20
	RH1T4824STAN	42000 [12.3]	30100 [8.8]	11900 [3.5]	14.50	12.00	1550 [731.5]	40000 [11.7]	3.76	25800 [7.6]	2.60	8.50
RP1442FJ1	RH1V4821STAN	41500 [12.2]	30100 [8.8]	10800 [3.2]	14.00	11.50	1400 [660.7]	41000 [12.0]	3.70	26800 [7.9]	2.60	8.20
	RH1P4221STAN	42000 [12.3]	30100 [8.8]	11900 [3.5]	14.50	12.00	1550 [731.5]	40000 [11.7]	3.76	25800 [7.6]	2.60	8.50
	RH1T4824STAN	42000 [12.3]	30100 [8.8]	11900 [3.5]	14.50	12.00	1400 [660.7]	40000 [11.7]	3.76	25600 [7.5]	2.60	8.50
	RH1V4821STAN	41500 [12.2]	30700 [9.0]	10800 [3.2]	14.00	11.50	1400 [660.7]	41000 [12.0]	3.70	26800 [7.9]	2.60	8.20
RP1448FC1	RH1P4821STAN	47000 [13.8]	34100 [10.0]	12900 [3.8]	14.00	11.50	1500 [707.9]	44500 [13.0]	3.66	29000 [8.5]	2.60	8.20
	RH1V4821STAN	46000 [13.5]	32400 [9.5]	13600 [4.0]	14.50	12.00	1400 [660.7]	44000 [12.9]	3.66	28400 [8.3]	2.54	8.50
	RH1P4821STAN	47500 [13.9]	35400 [10.4]	12100 [3.5]	14.50	12.00	1625 [766.9]	44500 [13.0]	3.70	28800 [8.4]	2.60	8.50
	RH1V4821STAN	47000 [13.8]	34100 [10.0]	12900 [3.8]	14.00	11.50	1500 [707.9]	44500 [13.0]	3.66	29000 [8.5]	2.60	8.20
RP1448FJ1	RH1V4821STAN	46000 [13.5]	32400 [9.5]	13600 [4.0]	14.50	12.00	1400 [660.7]	44000 [12.9]	3.66	28400 [8.3]	2.54	8.50
	RH1P4821STAN	47500 [13.9]	35400 [10.4]	12100 [3.5]	14.50	12.00	1625 [766.9]	44500 [13.0]	3.70	28800 [8.4]	2.60	8.50
	RH1V4821STAN	47000 [13.8]	34100 [10.0]	12900 [3.8]	14.00	11.50	1500 [707.9]	44500 [13.0]	3.66	29000 [8.5]	2.60	8.20
	RH2T6024STAN	57000 [16.7]	39800 [11.7]	17200 [5.0]	14.50	12.00	1600 [755.1]	54500 [16.0]	3.76	34400 [10.1]	2.60	8.50
RP1460FC1	RH1V6024STAN	58000 [17.0]	42400 [12.4]	15600 [4.6]	14.50	12.00	1800 [849.5]	56000 [16.4]	3.84	35600 [10.4]	2.70	8.50
	RH2V6024HTAC	57500 [16.9]	41300 [12.1]	16200 [4.7]	14.50	12.00	1725 [814.1]	55500 [16.3]	3.80	35200 [10.3]	2.66	8.50
	RH2T6024STAN	57000 [16.7]	39800 [11.7]	17200 [5.0]	14.50	12.00	1600 [755.1]	54500 [16.0]	3.76	34400 [10.1]	2.60	8.50
	RH1V6024STAN	58000 [17.0]	42400 [12.4]	15600 [4.6]	14.50	12.00	1800 [849.5]	56000 [16.4]	3.84	35600 [10.4]	2.70	8.50
RP1460FJ1	RH2V6024HTAC	57500 [16.9]	41300 [12.1]	16200 [4.7]	14.50	12.00	1725 [814.1]	55500 [16.3]	3.80	35200 [10.3]	2.66	8.50
	RH2T6024STAN	57000 [16.7]	39800 [11.7]	17200 [5.0]	14.50	12.00	1600 [755.1]	54500 [16.0]	3.76	34400 [10.1]	2.60	8.50

[] Designates Metric Conversions



Performance Data @ AHRI Standard Conditions – Heat Pump (con't.)

Note: Ratings contained in this document are subject to change. For up-to-date and expanded ratings, please visit the AHRI web site (www.ahridirectory.org).

Ratings													
Outdoor Unit	Furnace	Indoor Coil	Total Capacity BTU/H [kW]	Net Sensible BTU/H [kW]	Net Latent BTU/H [kW]	SEER	EER	Indoor CFM [L/s]	47 Degree Heating Capacity BTU/H [kW]	47 Degree COP	17 Degree Heating Capacity BTU/H [kW]	47 Degree COP	Region IV HSPF
RP1418FJ1	RW1T04A2414NAA	RCF2417STAM	18000 [5.3]	14000 [4.1]	4000 [1.2]	14.00	11.50	650 [306.8]	15800 [4.6]	3.60	9200 [2.7]	2.54	8.20
RP1424FJ1	RW1T04A2414NAA	RCF2417STAM	24000 [7.0]	17900 [5.2]	6100 [1.8]	14.00	11.50	800 [377.6]	22200 [6.5]	3.60	13600 [4.0]	2.46	8.20
RP1424FJ1	RW1T06A3617NAA	RCF2417STAM	24000 [7.0]	17900 [5.2]	6100 [1.8]	14.00	11.50	850 [401.2]	22200 [6.5]	3.60	13700 [4.0]	2.46	8.20
RP1430FJ1	RW1T08A4821NAA	RCF3621STAM	29200 [8.6]	22300 [6.5]	6900 [2.0]	14.00	11.50	1050 [495.5]	27200 [8.0]	3.66	16900 [5.0]	2.34	8.20
RP1442FC1	RW1T06A3617NAA	RCF4821STAM	41500 [12.2]	28900 [8.5]	12600 [3.7]	14.00	11.50	1250 [589.9]	40000 [11.7]	3.70	25400 [7.4]	2.54	8.20
RP1442FC1	RW1T08A4821NAA	RCF4821STAM	41500 [12.2]	28800 [8.4]	12700 [3.7]	14.00	11.50	1225 [578.1]	39500 [11.6]	3.70	25400 [7.4]	2.54	8.20
RP1442FC1	RW1T10A6024NAA	RCF4824STAM	41500 [12.2]	28800 [8.4]	12700 [3.7]	14.00	11.50	1225 [578.1]	39500 [11.6]	3.70	25400 [7.4]	2.54	8.20
RP1442FC1	RW1T06A3617NAA	RCF4821STAM	42000 [12.3]	30100 [8.8]	11900 [3.5]	14.00	11.50	1500 [707.9]	40500 [11.9]	3.66	26200 [7.7]	2.54	8.20
RP1442FC1	RW1T06A3617NAA	RCF4821STAM	41500 [12.2]	28900 [8.5]	12600 [3.7]	14.00	11.50	1250 [589.9]	40000 [11.7]	3.70	25400 [7.4]	2.54	8.20
RP1442FC1	RW1T08A4821NAA	RCF4824STAM	41500 [12.2]	28800 [8.4]	12700 [3.7]	14.00	11.50	1225 [578.1]	39500 [11.6]	3.70	25400 [7.4]	2.54	8.20
RP1442FC1	RW1T10A6024NAA	RCF4824STAM	42000 [12.3]	30100 [8.8]	11900 [3.5]	14.00	11.50	1500 [707.9]	40500 [11.9]	3.66	26200 [7.7]	2.54	8.20
RP1448FC1	RW1T08A4821NAA	RCF4821STAM	46500 [13.6]	34000 [10.0]	12500 [3.7]	14.00	11.50	1575 [743.3]	45500 [13.3]	3.50	29800 [8.7]	2.50	8.20
RP1448FC1	RW1T08A4821NAA	RCF4824STAM	46500 [13.6]	34000 [10.0]	12500 [3.7]	14.00	11.50	1575 [743.3]	45500 [13.3]	3.50	29800 [8.7]	2.50	8.20
RP1448FC1	RW1T10A6024NAA	RCF4824STAM	46500 [13.6]	33500 [9.8]	13000 [3.8]	14.00	11.50	1500 [707.9]	45000 [13.2]	3.60	29200 [8.6]	2.54	8.20
RP1448FJ1	RW1T08A4821NAA	RCF4821STAM	46500 [13.6]	34000 [10.0]	12500 [3.7]	14.00	11.50	1575 [743.3]	45500 [13.3]	3.50	29800 [8.7]	2.50	8.20
RP1448FJ1	RW1T08A4821NAA	RCF4824STAM	46500 [13.6]	34000 [10.0]	12500 [3.7]	14.00	11.50	1575 [743.3]	45500 [13.3]	3.50	29800 [8.7]	2.50	8.20
RP1448FJ1	RW1T10A6024NAA	RCF4824STAM	46500 [13.6]	35000 [9.8]	13000 [3.8]	14.00	11.50	1500 [707.9]	45000 [13.2]	3.60	29200 [8.6]	2.54	8.20
RP1460FC1	RW1T08A4821NAA	RCF6024HTAM	56500 [16.6]	39300 [11.5]	17200 [5.0]	14.00	11.50	1600 [755.1]	55500 [16.3]	3.66	35200 [10.3]	2.54	8.20
RP1460FC1	RW1T08A4821NAA	RCF6024STAM	56500 [16.6]	39300 [11.5]	17200 [5.0]	14.00	11.50	1600 [755.1]	55500 [16.3]	3.66	35200 [10.3]	2.54	8.20
RP1460FC1	RW1T10A6024NAA	RCF6024HTAM	57000 [16.7]	40800 [12.0]	16200 [4.7]	14.00	11.50	1725 [814.1]	56500 [16.6]	3.76	35800 [10.5]	2.60	8.20
RP1460FC1	RW1T10A6024NAA	RCF6024STAM	57000 [16.7]	40800 [12.0]	16200 [4.7]	14.00	11.50	1725 [814.1]	56500 [16.6]	3.76	35800 [10.5]	2.60	8.20
RP1460FJ1	RW1T08A4821NAA	RCF6024HTAM	56500 [16.6]	39300 [11.5]	17200 [5.0]	14.00	11.50	1600 [755.1]	55500 [16.3]	3.66	35200 [10.3]	2.54	8.20
RP1460FJ1	RW1T08A4821NAA	RCF6024STAM	56500 [16.6]	39300 [11.5]	17200 [5.0]	14.00	11.50	1600 [755.1]	55500 [16.3]	3.66	35200 [10.3]	2.54	8.20
RP1460FJ1	RW1T10A6024NAA	RCF6024HTAM	57000 [16.7]	40800 [12.0]	16200 [4.7]	14.00	11.50	1725 [814.1]	56500 [16.6]	3.76	35800 [10.5]	2.60	8.20
RP1460FJ1	RW1T10A6024NAA	RCF6024STAM	57000 [16.7]	40800 [12.0]	16200 [4.7]	14.00	11.50	1725 [814.1]	56500 [16.6]	3.76	35800 [10.5]	2.60	8.20

[] Designates Metric Conversions

GUIDE SPECIFICATIONS

General

System Description

Outdoor-mounted, air-cooled, split-system heat pump unit suitable for ground or rooftop installation. Unit consists of a hermetic compressor, composite basepan, an air-cooled coil, propeller-type condenser fan, suction and liquid line service valve, and a control box. Unit will discharge supply air upward as shown on contract drawings. Unit will be used in a refrigeration circuit to match up to a coil unit.

Quality Assurance

- Unit will be rated in accordance with the latest edition of AHRI Standard 210.
- Unit will be certified for capacity and efficiency, and listed in the latest AHRI directory.
- Unit construction will comply with latest edition of ANSI/ASHRAE and with NEC.
- Unit will be constructed in accordance with UL standards and will carry the UL label of approval. Unit will have c-UL-us approval.
- Unit cabinet will be capable of withstanding ASTM B117 1000-hr salt spray test.
- Air-cooled condenser coils will be leak tested at 150 psig and pressure tested at 550 psig.
- Unit constructed in ISO9001 approved facility.

Delivery, Storage, and Handling

- Unit will be shipped as single package only and is stored and handled per unit manufacturer's recommendations.

Warranty (for inclusion by specifying engineer) – U.S. and Canada only.

Products

Equipment

Factory assembled, single piece, air-cooled heat pump unit. Contained within the unit enclosure is all factory wiring, piping, controls, compressor, refrigerant charge R-410A, and special features required prior to field start-up.

Unit Cabinet

- Unit cabinet will be constructed of galvanized steel, bonderized, and coated with a powder coat paint.
- All units constructed with louver coil protection and corner post. Louver can be removed by removing one fastener per louver panel.

AIR-COOLED, SPLIT-SYSTEM HEAT PUMP

RP14**F

1-1/2 TO 5 NOMINAL TONS

Fans

- Condenser fan will be direct-drive propeller type, discharging air upward.
- Condenser fan motors will be totally enclosed, 1-phase type with class B insulation and permanently lubricated bearings. Shafts will be corrosion resistant.
- Fan blades will be statically and dynamically balanced.
- Condenser fan openings will be equipped with coated steel wire safety guards.

Compressor

- Compressor will be hermetically sealed.
- Compressor will be mounted on rubber vibration isolators.

Condenser Coil

- Condenser coil will be air cooled.
- Coil will be constructed of aluminum fins mechanically bonded to copper tubes.

Refrigeration Components

- Refrigeration circuit components will include liquid-line shutoff valve with sweat connections, vapor-line shutoff valve with sweat connections, system charge of R-410A refrigerant, and compressor oil.
- Unit will be equipped with filter drier for R-410A refrigerant for field installation.

Operating Characteristics

- The capacity of the unit will meet or exceed _____ Btuh at a suction temperature of _____ °F/°C. The power consumption at full load will not exceed _____ kW.
- Combination of the unit and the evaporator or fan coil unit will have a total net cooling capacity of _____ Btuh or greater at conditions of _____ CFM entering air temperature at the evaporator at _____ °F/°C wet bulb and _____ °F/°C dry bulb, and air entering the unit at _____ °F/°C.
- The system will have a SEER of _____ Btuh/watt or greater at DOE conditions.

Electrical Requirements

- Nominal unit electrical characteristics will be _____ v, single phase, 60 hz. The unit will be capable of satisfactory operation within voltage limits of _____ v to _____ v.
- Nominal unit electrical characteristics will be _____ v, three phase, 60 hz. The unit will be capable of satisfactory operation within voltage limits of _____ v to _____ v.
- Unit electrical power will be single point connection.
- Control circuit will be 24v.

Special Features

- Refer to section of this literature identifying accessories and descriptions for specific features and available enhancements.

GENERAL TERMS OF LIMITED WARRANTY*

Rheem will furnish a replacement for any part of this product which fails in normal use and service within the applicable period stated, in accordance with the terms of the limited warranty.

***For complete details of the Limited and Conditional Warranties, including applicable terms and conditions, contact your local contractor or the Manufacturer for a copy of the product warranty certificate.**

Conditional Parts
(Registration Required)Ten (10) Years



The new degree of comfort.™

In keeping with its policy of continuous progress and product improvement, Rheem reserves the right to make changes without notice.

Rheem Heating, Cooling & Water Heating • P.O. Box 17010
Fort Smith, Arkansas 72917 • www.rheem.com

Rheem Canada Ltd./Ltée • 125 Edgeware Road, Unit 1
Brampton, Ontario • L6Y 0P5



INTEGRATED HOME COMFORT

PRINTED IN U.S.A. 2/18 QG FORM NO. P11-810 REV. 1