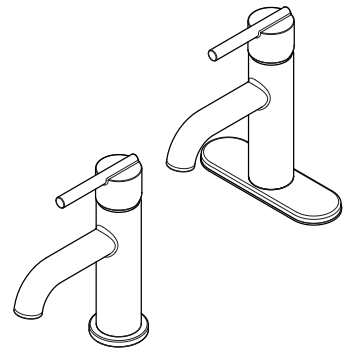


- LG42-BIOB Finish(B)
- LG42-BIOC Finish(C)
- LG42-BIOK Finish(K)



- All Metal Construction
- Pforever Seal
- Push & Seal™ Pop-Up

Specifications

Features

- 1.2 GPM Flow Rate
- 1 or 3-Hole Installation
- Deckplate Not Included, Order Separately 961-188*
- All Metal Construction
- Pfast Connect™
- Push & Seal™ Pop-Up
- TiteSeal™ Technology
- Pforever Seal Ceramic Disc Valve
- Pforever Warranty®



Code Compliance

Pfister products are designed and manufactured in compliance with the following standards and codes:

- IAPMO Certified to ASME A112.18.1/CSA B125.1
- NSF 61/9 AnnexG Certified
- EPA WaterSense Certified
- CEC Certified/CALGreen compliant
- ADA Compliant - ANSI A117.1 (Lever Handles Only)



Dimensions

