

*For Residential and Commercial Applications*

Job Name: \_\_\_\_\_ Engineer/Architect: \_\_\_\_\_  
 Job Location: \_\_\_\_\_ Wholesaler: \_\_\_\_\_  
 Submittal Date: \_\_\_\_\_ Contractor: \_\_\_\_\_

## PLB100/111/113X      1/4 Turn Angle Stop – Compression x Compression

**Use:** For use only in potable water distribution systems, hot and cold, in accessible locations only

**Part Listing:**

- |                          |           |   |
|--------------------------|-----------|---|
| <input type="checkbox"/> | PLB100X B | 1/2" nom compression x 3/8" OD compression, chrome plated, bulk               |
| <input type="checkbox"/> | PLB100X P | 1/2" nom compression x 3/8" OD compression, chrome plated, bagged             |
| <input type="checkbox"/> | PLB113X P | 1/2" nom compression x 3/8" OD compression w/loose key, chrome plated, bagged |
| <input type="checkbox"/> | PLB111X P | 1/2" nom compression x 1/4" OD compression, chrome plated, bagged             |



STOP MATERIAL SPECIFICATIONS	
<b>Body</b>	<i>Brass, plated</i>
<b>Stem</b>	<i>Brass</i>
<b>Ball</b>	<i>Brass, plated</i>
<b>Seats</b>	<i>PTFE</i>
<b>O-ring</b>	<i>NBR</i>
<b>Handle</b>	<i>ABS, plated</i>
<b>Handle Screw</b>	<i>Stainless steel</i>
<b>Compression Nut</b>	<i>Brass, plated</i>
<b>Compression Sleeve</b>	<i>Brass</i>
<b>Adaptor</b>	<i>Brass, plated</i>

Operating Specifications	
Temperature	Pressure
Intermittent 40° - 160° F	125 PSI maximum

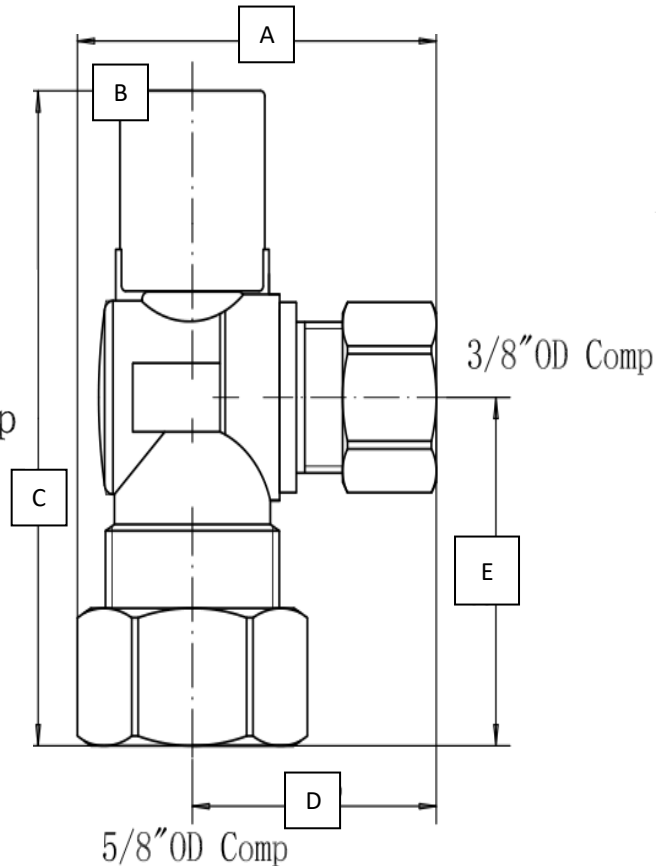
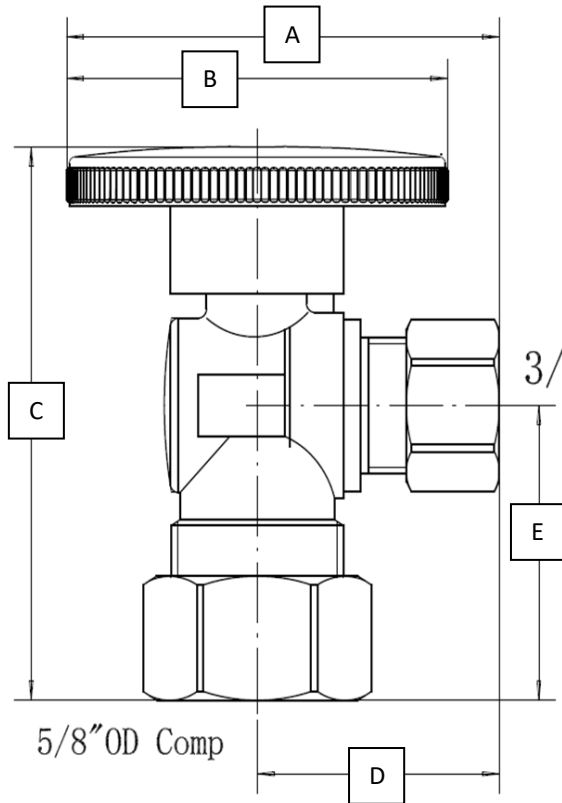
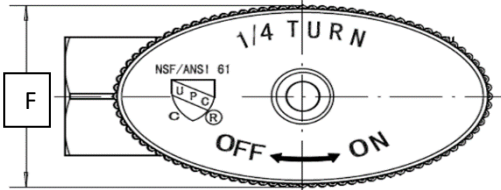
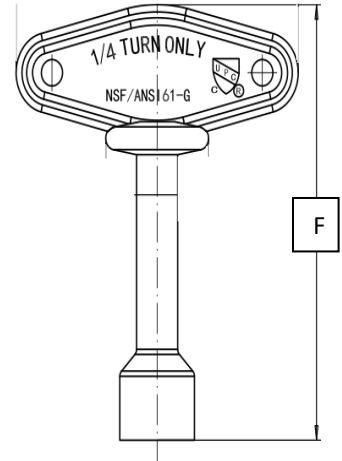
This specification and all information contained herein is the confidential and exclusive property of Brasscraft Manufacturing Company and shall not be disclosed to others without the written consent of Brasscraft Mfg. Co. This specification must be returned to Brasscraft Mfg. Co. if requested.



**PLB100/111/113X  
x Compression**

**1/4 Turn Angle Stop – Compression**

PART DIMENSIONS (Inches)						
Model	DIM. A	DIM. B	DIM. C	DIM. D	DIM. E	DIM. F
PLB100X	2.02	1.77	2.34	1.12	1.22	.94
PLB111X	2.02	1.77	2.34	1.12	1.22	.94
PLB113X	1.63	1.12	2.44	1.12	1.22	2.35



**Listings & Certifications:**

- IAPMO listed to ASME A112.18.1 / CSA B125.1 (includes NSF/ANSI 372 and NSF/ANSI/CAN 61)



*This specification and all information contained herein is the confidential and exclusive property of Brasscraft Manufacturing Company and shall not be disclosed to others without the written consent of Brasscraft Mfg. Co. This specification must be returned to Brasscraft Mfg. Co. if requested.*

400.276 PLB100/111/113X 1/4 Turn Angle Stop - Comp Outlet REV 9.19

**PLUMBSHOP®**

©2019 Brasscraft Manufacturing Company