

*For Residential and Commercial Applications*

Job Name		Engineer / Architect	
Job Location		Wholesaler	
Submittal Date		Contractor	

## PLB105X 1/4 Turn Angle Stop – CPVC x Compression

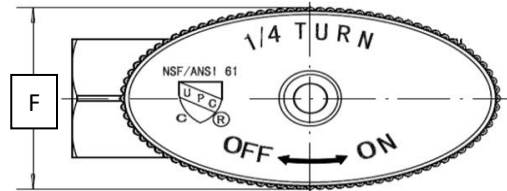
**Use:** For use only in potable water distribution systems, hot and cold, in accessible locations only

**Part Listing:**

- PLB105X B 1/2" nom CPVC x 3/8" OD compression, chrome plated, bulk

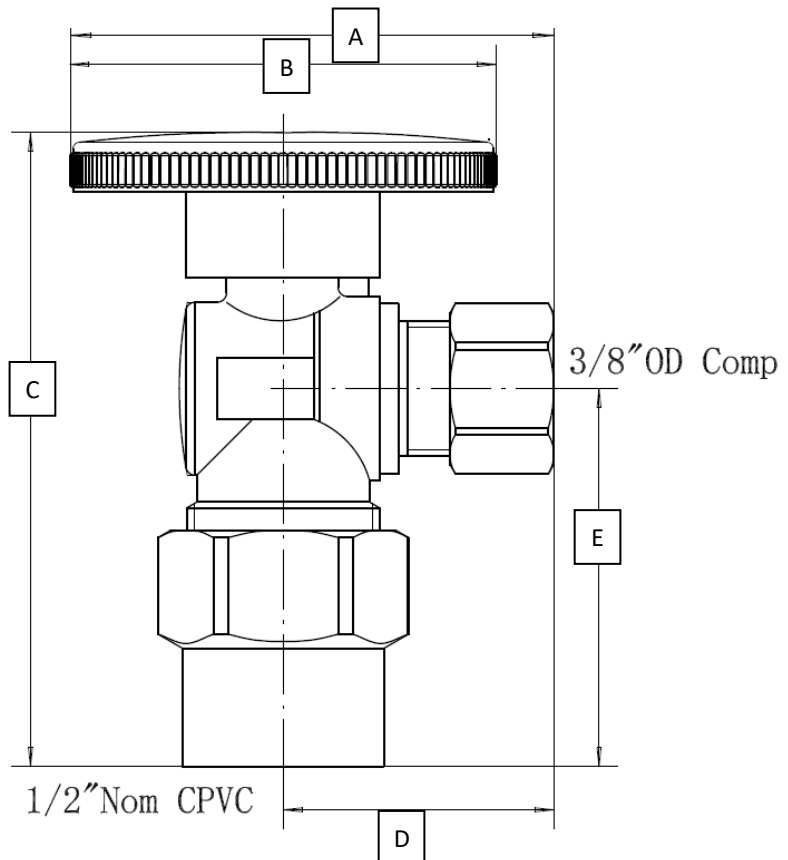


PART DIMENSIONS (Inches)						
Model	DIM. A	DIM. B	DIM. C	DIM. D	DIM. E	DIM. F
PLB105X	2.02	1.77	2.70	1.12	1.57	.94



Operating Specifications	
Temperature	Pressure
40°- 160° F	125 PSI maximum

STOP MATERIAL SPECIFICATIONS	
<b>Body</b>	Brass, plated
<b>Stem</b>	Brass
<b>Ball</b>	Brass, plated
<b>Seats</b>	PTFE
<b>O-ring</b>	Rubber
<b>Handle</b>	ABS, plated
<b>Handle Screw</b>	Stainless steel
<b>Compression Nut</b>	Brass, plated
<b>Compression Sleeve</b>	Brass
<b>Adaptor</b>	Brass, plated



**Listings & Certifications:**

- IAPMO listed to ASME A112.18.1 / CSA B125.1 (includes NSF/ANSI 372 and NSF/ANSI/CAN 61)



*This specification and all information contained herein is the confidential and exclusive property of BrassCraft Manufacturing Company and shall not be disclosed to others without the written consent of BrassCraft. This specification must be returned to BrassCraft if requested.*

PLUMBSHOP®