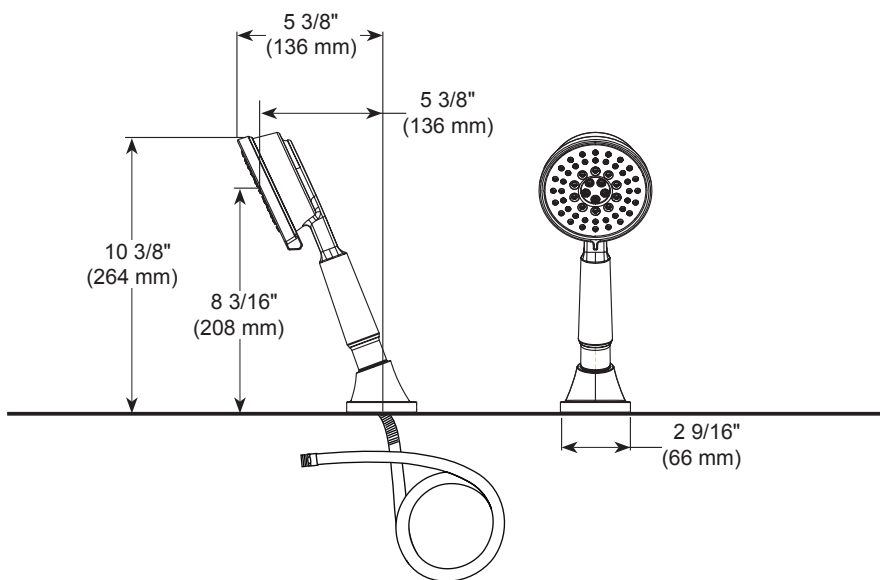


ROMAN TUB FAUCET TRIM
 ■ Westchester® Collection
 ■ 4 Hole Applications
 ■ Rough-In Kit Must Also be Ordered to Complete Installation

STANDARD SPECIFICATIONS:

- Trim Only for two handle Roman Tub faucet for concealed mounting
- Temperature and volume controlled with handles
- Rough-In kit must also be ordered R4707 to complete installation. There are separate specification sheets on each rough-in kit if more details are required
- Hand shower includes certified double check valves for backflow prevention
- 3-setting handshower
- Hand shower max flow rate 1.75 gpm @ 80 psi, 6.6 L/min @ 550 kPa
- Red/blue markings on handle for hot/cold identification.



WARRANTY

- Parts and Finish – Lifetime limited warranty; or for commercial purchasers, 10 years for multi-family residential (apartments and condominiums) and 5 years for all other commercial uses, in each case from the date that the product is received by the original purchaser or their authorized representative (installation contractor, etc.).
- Please go to www.peerlessfaucet.com for the complete details of our limited warranty.



COMPLIES WITH:

- ASME A112.18.1 / CSA B125.1
- EPA WaterSense®
- ♿ ICC/ANSI A117.1 - Valve control only

▲ Designate proper finish suffix