

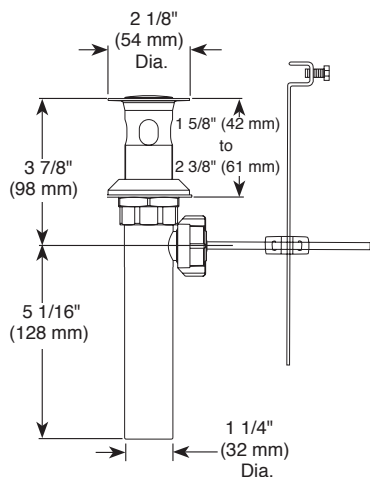
BATHROOM FAUCET:

- Two Handle Widespread, Deck Mount
- 3 Hole Sink Applications
- 6" To 16" Widespread

STANDARD SPECIFICATIONS

- Maximum 1.2 gpm @ 60 psi, 4.5 L/min @ 414 kPa.
- Widespread- 6" (152mm) to 16" (406mm) centers.
- The fully replaceable, washerless valve design rotates from the full-off position to the full-on position in 90°.
- The valve stems on the hot and cold stems are interchangeable.
- 1/2" - 14 NPSM threaded male inlet adapters.
- Models have 50/50 pop-up type fitting with plated flange and stopper

RP38958▲ 50/50 Pop-Up



WARRANTY:

- Parts and Finish - Lifetime limited warranty; or for commercial purchasers, 10 years for multi-family residential (apartments and condominiums) and 5 years for all other commercial uses, in each case from the date of purchase.



COMPLIES WITH:

- ASME A112.18.1 / CSA B125.1
- ASME A112.18.2 / CSA B125.2
- EPA WaterSense®



Indicates compliance to ICC/ANSI A117.1- Valve control only