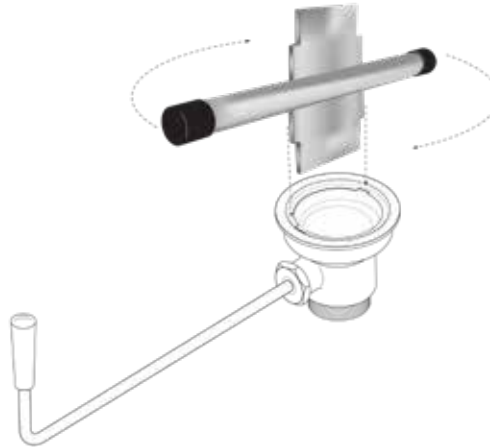


Commercial Sink Drain Tool

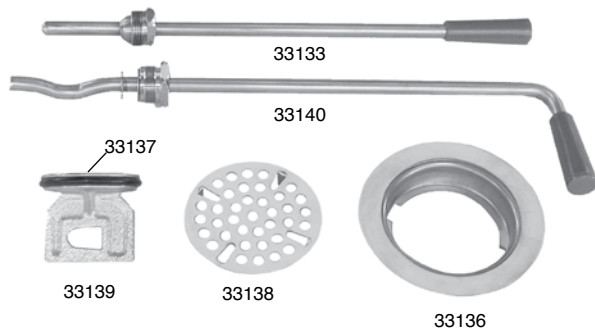
- Removes Lever & Twist Drains
- Fits 3" & 3-1/2" drains
- Constructed from 304 stainless steel
- Drain Sold Separately



PART NUMBER
7093

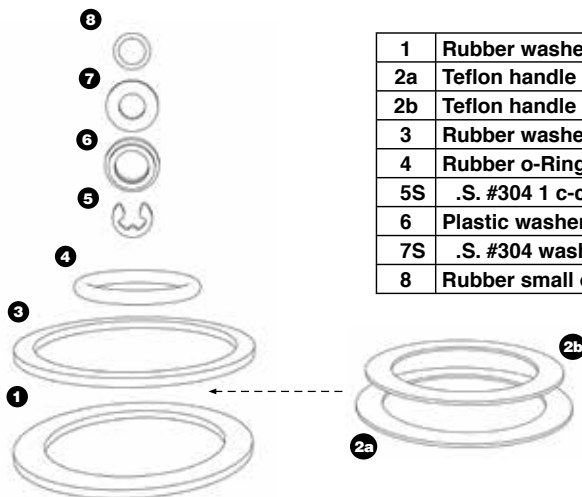
Lever & Twist Commercial Sink Drain - Replacement Parts

Handles and strainer are stainless steel. Drain body and stopper are nickel plated brass



PART NUMBER	DESCRIPTION
33133	Lever Handle
33136	3-1/2" Strainer Flange
33137	O-Ring for Stopper
33138	3-1/2" Strainer
33139	Stopper with O-Ring
33140	Twist Handle
33143	2" x 1-1/2" Slip Joint Drain Reducer Bushing*

Twist Lever Drain Washer Repair Kit



1	Rubber washer for 3" drain
2a	Teflon handle gasket for 3-1/2" drain
2b	Teflon handle gasket for 3" drain
3	Rubber washer for 3-1/2" drain
4	Rubber o-Ring for stopper
5S	.S. #304 1 c-clip
6	Plastic washer for handle
7S	.S. #304 washer for handle
8	Rubber small o-ring

PART NUMBER
33150