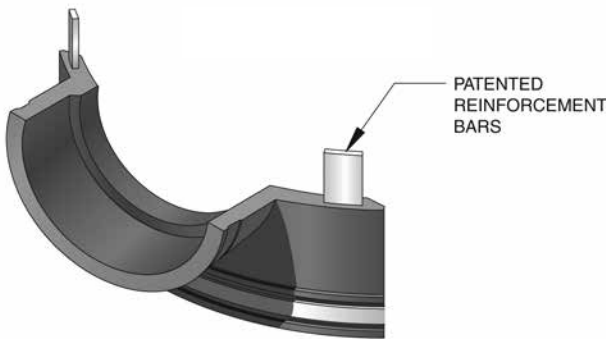




## Flexible Sewer Saddles

The saddle's elastomeric construction allows a single description to securely fit 6" sewer main pipe diameters and up. The saddle's flexibility eliminates the need for a large inventory of rigid PVC saddles of various descriptions.

**Available for all 4" or 6" Plastic or Cast Iron drain pipe inlets in Tee or Wye configurations**



A breakthrough in saddle design, the patented Flexible Saddle demonstrates superior flexibility in more than one way.

- Two configurations, a "Tee" and a "Wye" are available in 4" or 6" inlet descriptions.
- Elastomeric construction provides maximum strength and flexibility.
- Saddle design will accommodate polyethylene pipe used in slip lining sewer systems.
- Inlet range from SCH-40 down to SDR-35 includes standard weight soil pipe.
- Includes special "slip-lock" clamps of 300 series stainless steel.
- Steel reinforced edges prevent distortion when torque is applied to clamps.
- Durable design and low unit price make the Flexible Saddle economical and environmentally wise.

**One Flexible Sewer Saddle will fit ALL 6" and larger sewer mains.**

PART NUMBER	DESCRIPTION
57144	4" Cast Iron or Plastic Inlet - Tee
57166	6" Cast Iron or Plastic Inlet - Tee
57244	4" Cast Iron or Plastic Inlet - Wye
57266	6" Cast Iron or Plastic Inlet - Wye

Sold with stainless steel inlet clamp and two slip-lock stainless steel clamps for up to 15" sewer mains.

4" inlet clamp #60080

6" inlet clamp #60096

15" sewer main clamps #550248