



Institutional Quality - Specification Grade

Contemporary Design • Individually Pressure Tested



AB 1953

Heavy Duty - Wall Mount - 8" Centers

- Chrome plated brass
- 1/2" FPT Inlets
- Twin seal chrome plated brass tubular swing spout
- 55/64" Female water saver aerator
- Color coded handles
- Full flow with a quarter turn of the handle



333 Series Stems
33029 - Handle
Use Swing or Goose Spout

PART NUMBER	SPOUT LENGTH	ADJUSTS
33006	6"	7-1/2" to 8-1/2"
33008	8"	
33010	10"	
33012	12"	
33014	14"	

Medium Duty - Wall Mount - 8" Centers

- Chrome plated brass
- 1/2" FPT Inlets
- Twin seal chrome plated brass tubular swing spout
- 55/64" Female water saver aerator



333 Series Stems
33029 - Handle
Use Swing or Goose Spout

PART NUMBER	SPOUT LENGTH	ADJUSTS
33306	6"	7-1/2" to 8-1/2"
33308	8"	
33310	10"	
33312	12"	
33314	14"	

Commercial Faucets



Highest Quality • Durable • Reliable • Economical

Compliant

AB 1953

Heavy Duty - Deck Mount - 4" Centers

- Chrome plated brass
- 1/2" FPT inlets
- Satin finished brass water ways
- 55/64" Female water saver aerator
- Twin Seal chrome plated brass tubular swing spout



330 Series Stems

33029 - Handle

Use Swing or
Goose Spout

PART NUMBER	SPOUT LENGTH
33105	6"
33106	12"
33105-G	6" Gooseneck

Medium Duty - Deck Mount - 4" Centers - Sink or Laundry Tray

- Same features as above model but a lighter pattern style and plain brass water ways.
- Supplied with hose thread adapter



331 Series Stems

33160 - Set of Handles

PART NUMBER	SPOUT LENGTH
33151	6" Gooseneck
33152	6"
33153	8"
33154	10"
33155	12"

Medium Duty - Wall Mount - 4" Centers

- Same features as above models but a lighter pattern style and plain brass water ways



331 Series Stems

33160 - Set of Handles

PART NUMBER	SPOUT LENGTH
33161	6" Gooseneck
33162	6"
33163	8"
33164	10"
33165	12"



Special Duty Commercial Faucets

Highest Quality • Durable • Reliable • Economical

Service Sink Faucets - 8" Centers - 8" Spout

- Integral check stems
- 1/2" FPT inlets
- Satin chrome plated brass
- 3/4" Male hose thread on spout
- Chrome plated brass hinged wall support
- 7-1/2" to 8-1/2" Wall centers



- 33110-B Wall Bracket only
- 330 Series Stem
- 33029 Hot/Cold Handle
- 33101 Brass Slide for Vacuum Breaker
- 33102 Vacuum Breaker Replacement Kit, includes Slide and Insert
- 33103 Plastic Insert for Vacuum Breaker

***Not For Potable Water**

PART NUMBER
33110

Service Sink Faucets - 8" Centers - 2-1/2" Spout

Same features as above model, with the exception of no hinged wall support.



- 330 Series Stem
- 33029 - Handle

***Not For Potable Water**

PART NUMBER
33109

Rubber Mop Sink Hose

- 3/4" female hose thread
- 36" braided hose (shortened photo)



Hose and Bracket sold separately



PART NUMBER
489

Mop Sink Hose Bracket

- Cam action wall bracket to hold hose
- With mounting screws



PART NUMBER
488



Commercial Faucet Replacement Parts

Heavy Duty Swing Spout

- Twin Seal -Tubular
- Chrome plated brass
- 55"/64" Female water saver aerator

Compliant AB 1953



PART NUMBER	LENGTH
33806	6"
33808	8"
33810	10"
33812	12"
33814	14"

Heavy Duty Gooseneck Spout

- Twin Seal -Tubular - Chrome plated brass
- 55"/64" Female aerator

Compliant AB 1953



PART NUMBER	LENGTH
33831	6"

Replacement Handles

- 20 Spline - Cold or Hot, Sold by the each



Sold Individually with red or blue indicator disks

PART NUMBER
33029

Blade Style Handles

- 20 Spline - Cold or Hot, Sold by the each,
- 4-1/2" Length



Sold Individually with red or blue indicator disks

PART NUMBER
33104

Stems with Handles

- Fits T&S



Compliant AB 1953

PART NUMBER	TYPE
33027-A	Cold
33028-A	Hot

Replacement Handles

- Hot/Cold handles fit 3315 Series Faucets



PART NUMBER
33160

Replacement Stems



Compliant AB 1953

PART NUMBER	FITS FAUCET SERIES	TYPE	DESCRIPTION
33027*	330	Cold	Quarter turn
33028*	330	Hot	Quarter turn
33158	331	Cold	Quarter turn
33159	331	Hot	Quarter turn
33320	333	Cold	Quarter turn
33321	333	Hot	Quarter turn

*Fits T&S

Female Supply Inlet Couplings

- Chrome plated brass - 1/2" FPT inlets
- 33350 and 33352 fit heavy duty wall mount faucets
- 33351 fits moderate duty wall mount faucets



PART NUMBER	FITS	ADJUSTS
33350	Heavy Duty	7-1/2" to 8-1/2"
33351	Medium Duty	7-1/2" to 8-1/2"
33352	Heavy Duty	4-1/2" to 12-1/2" with stops



Commercial Pre-Rinse Assemblies

Chrome Plated Brass • Built for Rugged Use

Compliant 

AB 1953

Wall Mount - 8" Centers

Available with either standard 7-1/2" to 8-1/2" adjustable female supply inlet couplings or, with 4-1/2" to 12-1/2" female supply inlet couplings with stops.

- Metal handle - plastic grip spray
- 1/2" FPT inlets
- 3/8" IPS X 24" Chrome plated brass riser
- 38" Stainless steel hose
- 12" Wall bracket
- Food service grade
- Uses 33614 Pre-Rinse Faucet



330 Series Stem
33029 - Handle

Interchanges
with T&S

PART NUMBER	ADJUSTS
33013	7-1/2" to 8-1/2"
33016	4-1/2" to 12-1/2" with stops

Pre-Rinse Spray Assembly Parts

Pre-Rinse Add On Faucet

- Connects to 3/8" pre-rinse riser
- Chrome plated brass
- 3/8" X 2-3/4" MIP inlet
- Fits all manufacturers

Compliant AB 1953



PART NUMBER	SPOUT LENGTH
33614	6"
33614-8	8"
33614-10	10"
33614-12	12"

Pre-Rinse Spray Cartridge

Chrome plated brass

Compliant AB 1953

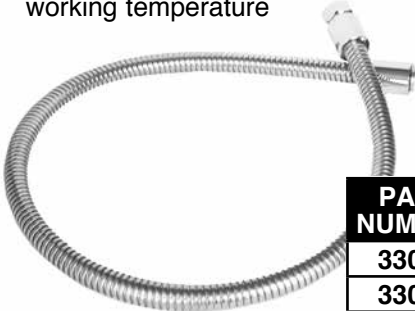


PART NUMBER
33019

Replaces T & S

Pre-Rinse Hoses

- Flexible stainless steel
- Food grade inner hose withstands continuous working temperature



PART NUMBER	LENGTH
33044	38"
33060	54"

Pre-Rinse Spring - Riser Nipple & Spring Coupling

Spring shortened for photo



PART NUMBER	DESCRIPTION
33022	L-Spring, 1-1/2" diameter
33023	3" Spring coupling Chrome plated brass 3/8" coarse thread x 3/8" FIP
33024	3/8" x 24" CP riser nipple*

*not pictured

Pre-Rinse Spray

Compliant AB 1953

- Chrome plated brass
- Metal handle - plastic grip
- Connects directly to hose
- High pressure wash
- Positive shut off
- Stay ring included



PART NUMBER	DESCRIPTION
33018	Complete unit
33020	Bumper ring only
33021	Spray face only
33030	Insulated brass handle

Replaces T & S

Pre-Rinse Wall Bracket & Riser Hook

Chrome plated brass



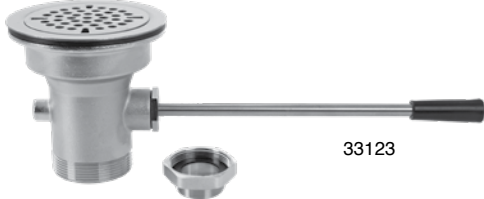
PART NUMBER	DESCRIPTION
33025	12" Wall bracket fits 3/8" riser
33026	3/8" Riser hook




Lever & Twist Commercial Sink Drain

Plated brass body, stainless steel handle, stainless steel strainer, plated brass stopper. Replaces Franklin, Klein, Chicago Faucet, T&S

Lever & Twist Handle Drain without Overflow



33123




33127

PART NUMBER	SINK OPENING	DRAIN CONNECTION
33122	Replaced by 33123 w/ 1-1/2" reducer	
33123	3-1/2"	2"


PART NUMBER	SINK OPENING	DRAIN CONNECTION
33126	Replaced by 33127 w/ 1-1/2" reducer	
33127	3-1/2"	2"

*A reducer supplied to fit 1-1/2" drain connection

Lever & Twist Handle Drain with 1-1/4" Overflow Outlet



33125




33146

PART NUMBER	SINK OPENING	DRAIN CONNECTION
33131	Replaced by 33125 w/ 1-1/2" reducer	
33125	3-1/2"	2"


PART NUMBER	SINK OPENING	DRAIN CONNECTION
33145	Replaced by 33146 w/ 1-1/2" reducer	
33146	3-1/2"	2"

• A blind cap is also supplied if overflow is not used
*A reducer supplied to fit 1-1/2" drain connection

Lever & Twist Commercial Sink Drain with 1-1/4" Overflow Outlet



33120



33124

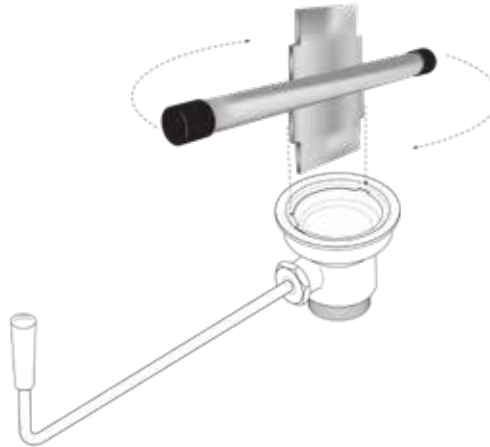
PART NUMBER	SINK OPENING	DRAIN CONNECTION
33120	3"	2"

PART NUMBER	SINK OPENING	DRAIN CONNECTION
33124	3"	2"

• A blind cap is also supplied if overflow is not used
*A reducer supplied to fit 1-1/2" drain connection

Commercial Sink Drain Tool

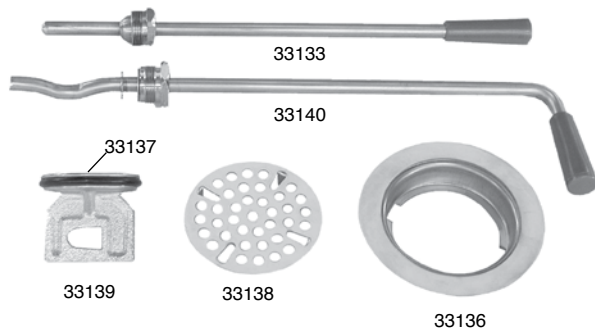
- Removes Lever & Twist Drains
- Fits 3" & 3-1/2" drains
- Constructed from 304 stainless steel
- Drain Sold Separately



PART NUMBER
7093

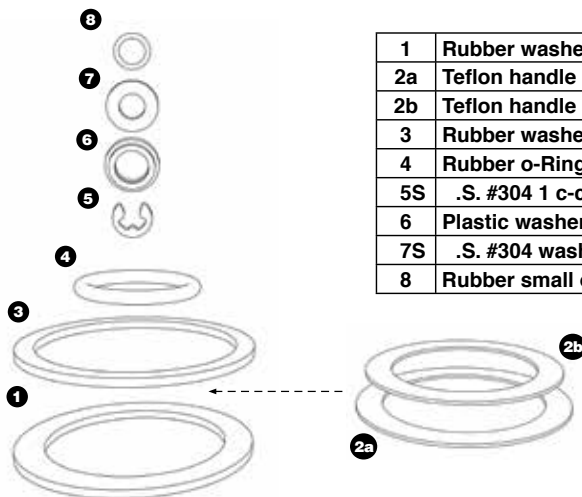
Lever & Twist Commercial Sink Drain - Replacement Parts

Handles and strainer are stainless steel. Drain body and stopper are nickel plated brass



PART NUMBER	DESCRIPTION
33133	Lever Handle
33136	3-1/2" Strainer Flange
33137	O-Ring for Stopper
33138	3-1/2" Strainer
33139	Stopper with O-Ring
33140	Twist Handle
33143	2" x 1-1/2" Slip Joint Drain Reducer Bushing*

Twist Lever Drain Washer Repair Kit



1	Rubber washer for 3" drain
2a	Teflon handle gasket for 3-1/2" drain
2b	Teflon handle gasket for 3" drain
3	Rubber washer for 3-1/2" drain
4	Rubber o-Ring for stopper
5S	.S. #304 1 c-clip
6	Plastic washer for handle
7S	.S. #304 washer for handle
8	Rubber small o-ring

PART NUMBER
33150



Sink or Laundry Tray Faucet 7-1/2" to 9-1/2" Adjustment

This popular utility faucet can now be wall mounted or deck mounted.

PASCO re-introduces this popular utility faucet which was discontinued by Price Pfister.

- Replaces Price Pfister Beverly laundry tray faucet
- 7-1/2" to 9-1/2" wall adjustment
- Chrome plated brass
- 5-1/2" male hose thread spout
- Inlet bodies screw directly onto 1/2" IPS inlet nipples
- Easily adapts to a wide variety of installations



Remove hot side inlet and rotate 90° to change faucet to a deck mount.



***Not For Potable Water**

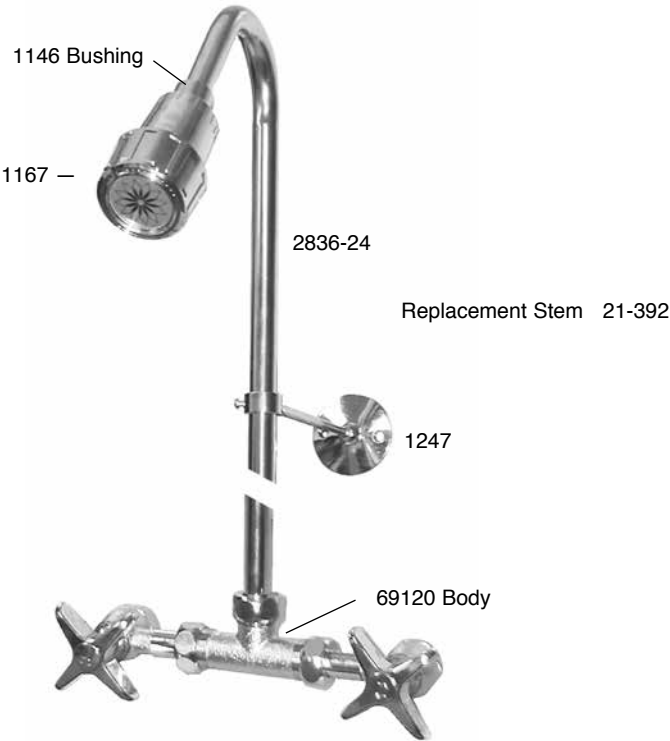


Part #: 2139 - Lead Free

**PART NUMBER
69120**

Deck - Patio - Pool - Campground Exposed Shower

- Economical, yet ruggedly constructed for outdoor installations.
- Wall mount
- Chrome Plated Brass
- 7" to 9-1/2" wall adjustment
- Adjustable low flow showerhead
- 6" Adjustable Wall Bracket
- Cross Handles
- 24" Riser
- 1/2" IPS Female Inlets



***Not For Potable Water**

**PART NUMBER
67252**

Commercial Faucets



Quarter Turn Lavatory Faucet

- Not self-closing
- Plumbers Quality
- Chrome plated brass
- Low flow aerator
- Hot or cold cross handle
- 1/2" IPS shank
- Complete with locknut and rosette



Compliant AB 1953

PART NUMBER	HANDLE
21805	Hot
21806	Cold

Self-Closing Lavatory Faucets - Heavy Duty

New Design

- Star or lever handle
- Vandal proof cap and aerator
- Chrome plated brass
- 1/2" IPS shank
- Low flow aerator
- Complete with locknut and rosette



***Not For Potable Water**

PART NUMBER	HANDLE STYLE
21931	Star
21932	Lever

Self-Closing Wall Faucets - Heavy Duty

New Design

- Star or lever handle
- Vandal proof cap
- No aerator
- Chrome plated brass
- 1/2" FPT inlet



***Not For Potable Water**

PART NUMBER	HANDLE STYLE
21936	Star
21937	Lever

Push Button Self-Closing Lavatory Faucet-Econo

- Economical
- Chrome plated brass
- Low flow aerator
- 1/2" IPS shank
- Complete with locknut and rosette
- Non-adjustable slow close
- Closes in approximately 6 seconds at 60 PSI.

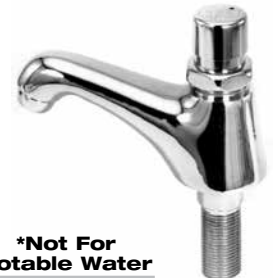


***Not For Potable Water**

PART NUMBER
21803

Push Button Self-Closing Lavatory Faucet

- Use 1/16" Hex key to adjust slow close timing screw. Adjusts closing time from 3 to 15 seconds
- Plumbers Quality
- Chrome plated brass
- Low flow aerator
- 1/2" IPS shank
- Complete with locknut and rosette



***Not For Potable Water**

SEPARATE CARTRIDGE	PART NUMBER
21333	21800



Push Button Drinking Fountain

- 3/8" FPT
- Chrome plated brass
- Lead-free cartridges
- Replaces HAWS HW5010

Compliant AB 1953



PART NUMBER	DESCRIPTION
2194	Bubbler w/lead free cartridge
2195	Lead-free brass replacement cartridges

PART NUMBER	REPAIR PARTS
2194-1	Chrome collar for button
2194-2	Chrome push button
2194-3	Cartridge retention bushing
2194-6	Inlet washer
2194-M	Mouthpiece set

Push Button Drinking Fountain Retro Fit Kit

Replaces fountains on china fixtures

Compliant AB 1953

Kit contains:

- # 2194 Chrome plated brass bubbler head with lead-free cartridges
- 1/2" x 3/8" x 3-1/2" inlet nipple
- Polished stainless steel flange
- Rosette & locknut
- 1-3/4" cockhole cover



PART NUMBER	DESCRIPTION
2197	Retro-fit Kit
1270	SS flange only
2187	Brass nipple only
2197-K	Repair kit contains all the above except 2194 Bubbler

Self-Closing Drinking Fountain

- 1/2" FPT
- Chrome plated brass
- Flow regulator screw
- Cross handle
- Precision ball bearing actions

Compliant AB 1953



PART NUMBER	FPT
2190	1/2"
2190-RK	Repair Kit

Replacement Parts For Drinking Fountains

for part numbers:

- 2194
- 2197



PART NUMBER	DESCRIPTION
2194-1	Chrome collar for button
2194-2	Chrome push button
2194-3	Cartridge retention bushing
2194-6	Inlet washer
2194-M	Mouthpiece set



Pure Flow Drinking Fountain Cartridge

- The simple yet durable design allows thousands of on/off cycles
- Fits similar style of fountains like our 2194
- This new design replaces the old style 2195 and 2196 cartridges
- Durable - Lead Free - Easily Adjusted

Compliant AB 1953

Replaces:
HAW VRK5010
HALSEY-TAYLOR 15010
TOMLINSON 1016337



2195



To adjust water flow, use the "Serrated Dial Counter."
DO NOT USE A SCREWDRIVER. Position the dial turning clockwise to decrease water flow. To increase water flow, turn the dial in a counter clockwise direction. Note the position of the notch on the dial (if turned past 180° the water flow will start to decrease.)

PART NUMBER
2195
2195-SS

Remote Bush Button Valve

- Superior quality
- Chrome plated brass button and escutcheon
- 1/4" FPT
- Lead-free cartridge

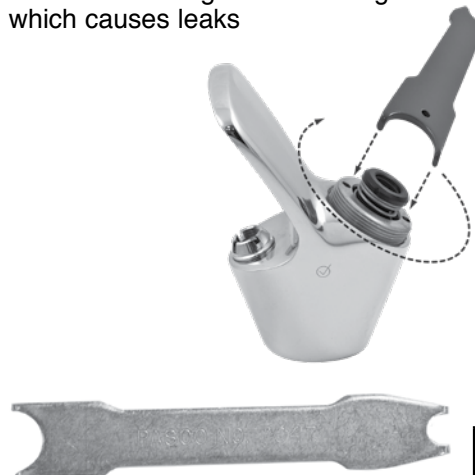
Compliant AB 1953



PART NUMBER
2179

Fountain Bushing & Valve Wrench 2-in-1 Tool

- Tightens or loosens cartridge retaining bushing
- Prevents bushing thread damage which causes leaks



PART NUMBER
7047



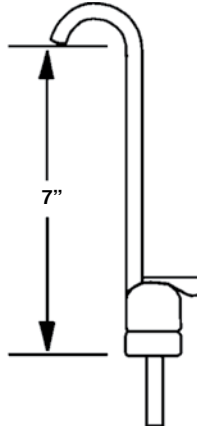
Glass Fillers - 3 Styles

- Chrome plated brass
- 1/4" or 3/8" compression connection

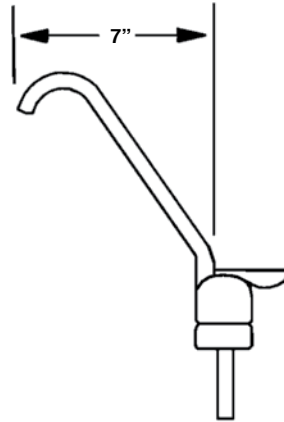
The Original



Tall Spout



Long Reach



Compliant AB 1953

PART NUMBER	DESCRIPTION
2040	Original - 1/4"
2041	Original - 3/8"
2040-TS	Tall Spout - 1/4"
2040-LR	Long Reach - 1/4"

Replacement Parts



PART NUMBER	CONNECTION
2044	Repair Kit
2040-C	1/4" x 3/8" Tubing Reducing Coupling

Commercial Sink Overflow

- Chrome plated brass
- 1-1/4" x 14" x 18" Tube
- 1-1/4" Satin chrome plated elbow
- Stainless steel overflow strainer & screw



PART NUMBER	DESCRIPTION
33141	Strainer with 1-1/4" ELL
33142	1-1/4" x 14" x 18" brass overflow elbow for slip joint connection
33147	Complete unit as shown

Self-Closing Valve

- Chrome plated brass
- 1/2" FPT x 1/2" FPT



**PART
NUMBER**
2192

Push Button Self-Closing 90 Degree Valve

- Chrome plated brass
- Use 1/16" Hex key to adjust slow close timing screw. Adjusts closing time from 3 to 15 seconds
- 1/2" FPT inlet and outlet valve ONLY, no nipples



**PART
NUMBER**
21810

Push Button Self-Closing 180 Degree Valve

- Chrome plated brass
- Use 1/16" Hex key to adjust slow close timing screw. Adjusts closing time from 3 to 15 seconds
- 1/2" FPT inlet and outlet valve ONLY, no nipples



**PART
NUMBER**
21830

Self-Closing Shower Valve

- Chrome plated brass
- 1/2" FPT inlet and outlet



**PART
NUMBER**
2193



**Push Button Self-Closing
90 Degree FlushValve with Vacuum Breaker**

- Use 1/16" Hex key to adjust slow close timing screw. Adjusts closing time from 3 to 15 seconds
- Plumbers quality
- Chrome plated brass
- 1/2" FPT inlet
- Vacuum breaker with 9" overall length
- Chrome plated brass urinal spud flange with spud nut, washers
- 1/2" IPS wall flange



PART NUMBER	DESCRIPTION
21849	Complete flushvalve WITH vacuum breaker
21850	Valve ONLY with vacuum breaker adapter
21333	Cartridge ONLY
2020	3/4" x 1-1/2" Chrome plated brass valve to vacuum breaker adapter ONLY
980	Spud nut ONLY, with washer
981	Chrome plated brass escutcheon ONLY
982	Spud nut, escutcheon & washer

**Push Button Self-Closing
90 Degree FlushValve**

- Use 1/16" Hex key to adjust slow close timing screw. Adjusts closing time from 3 to 15 seconds
- Plumbers quality
- Chrome plated brass
- 1/2" FPT inlet
- 3/4" OD x 8" CP brass tailpiece
- Chrome plated brass urinal spud flange with spud nut, washers
- 1/2" IPS wall flange



PART NUMBER	DESCRIPTION
21840	Complete flushvalve LESS vacuum breaker
21845	Valve ONLY with nut & washer
21333	Cartridge ONLY
980	Spud nut ONLY, with washer
981	Chrome plated brass escutcheon & washer
982	Spud nut, escutcheon & washer
997	3/4" OD x 8" CP Brass tube, no threads with washers

**Vacuum Breaker
with Flush Tailpiece**

- Chrome plated brass
- 9" Overall length
- 1-1/2" Top connection
- 3/4" OD flush tube



PART NUMBER
2022

Vacuum Breaker Repair Kit

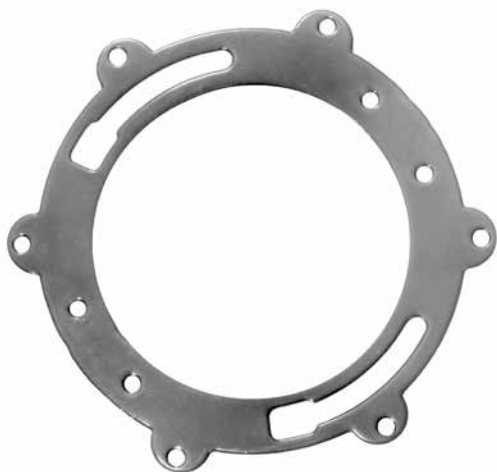


PART NUMBER
2025



QUICK RING

Replaces ANY Closet Ring!



United States Patent 5,890,239

Unique screw tabs attach to wood or concrete.

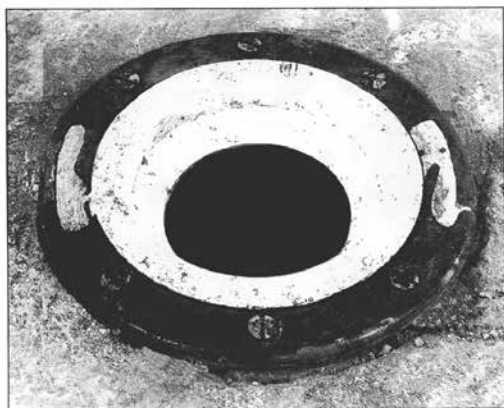
Plastisol coat provides corrosion protection.

Slotted for 1/4" or 5/16" closet bolt.

Old closet ring does not need to be present.

Replaces any and all closet rings.

INSTALLATION INSTRUCTIONS

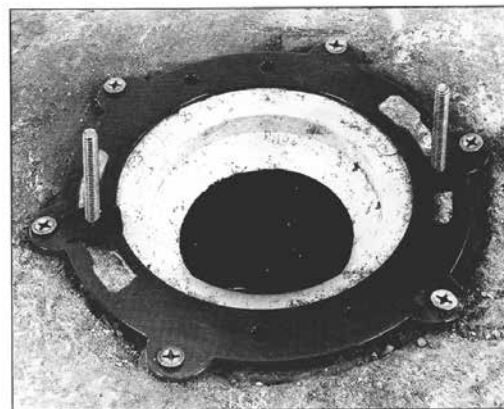


FOR SOLVENT WELDED STEEL/PLASTIC COMBO AND PLASTIC CLOSET RINGS

Remove portion of broken ring, if remaining portion cannot be removed, Quick Ring will mount on top.

Apply a bead of butyl rubber caulk to the underside of the Quick Ring that will mount on top of the old ring.

Set Quick Ring on top of remaining portion of old ring. Note location of old toilet bolt slots. The length of the bolt slots in the Quick Ring allows for some centering of toilet. Secure the Quick Ring to wood or concrete sub floor with screws or anchors.



FOR CAST IRON RINGS

The Quick Ring can be mounted directly on top of an old cast iron closet ring. Drill holes in any remaining portion of cast iron ring that corresponds with holes in Quick Ring. Before securing the Quick Ring with screws, apply a bead of butyl rubber caulk to its underside. Large gaps or spaces around or underneath the closet ring, can be filled with any quicksetting type grouts, cements, etc.

PLEASE NOTE:

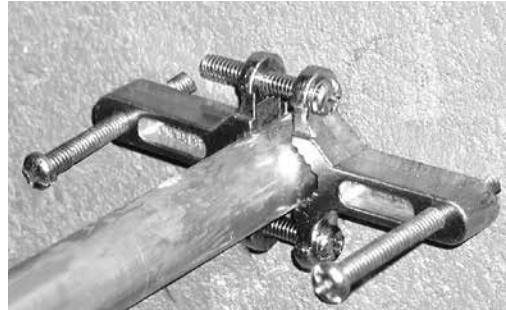
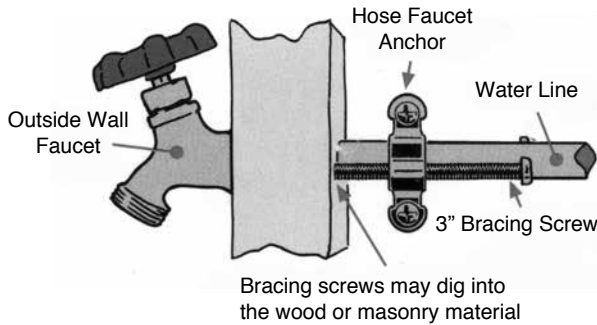
When setting the toilet use a wax bowl ring with plastic flange.

PART NUMBER
21013

Hose Bibb Anchor

A quick, easy, long lasting solution to stop loose exterior hose bibbs.

- Works with any wall material (brick, concrete, vinyl, or stucco)
- Repair or new home applications
- 5 minute installation that lasts
- Fits 1/2" - 3/4" - 1" water supply lines
- U.S. Patent 5,996,295



PART NUMBER
5023

Quick Hose Bibb Lock

Prevents unwanted use of most hose bibbs and commercial faucets with hose threads

- Simple, secure, economical
- High quality diecast
- Key alike padlock
- Fits hose bibb vacuum breakers
- U.S. Patent 5,182,928



Hose bibb shown with vacuum breaker*

PART NUMBER
21540

Hose Bibb Vacuum Breaker

- Vandal - proof breakoff screw
- ASSE 1011 compliant.
- UPC compliant
- Brass



PART NUMBER	DESCRIPTION
2139	Brass



Dishwasher Drain Hose

PASCO Invented Dishwasher Drain Hose!

Our hose is made of braided rubber with a rayon tire grade cord. It is an extremely durable hose and resists kinking.

- Meets AHAM Standard DW-1
- Listed in Table A of the UPC
- 7/8" hose approved for air conditioner condensate drain



SINCE 1966

PART NUMBER	SIZE	LENGTH
50650	5/8"	50'
50750	7/8"	50'

Order by the roll

Heavy Duty Reinforced Garden Hose

- Polyester reinforcement mesh
- Durable abrasion resistant jacket
- Patented Hose Armour® Resists kinking at the Spigot
- Heavy duty
- 400+ PSI



PART NUMBER	SIZE	LENGTH
531	5/8"	50'

Dishwasher Air Gap

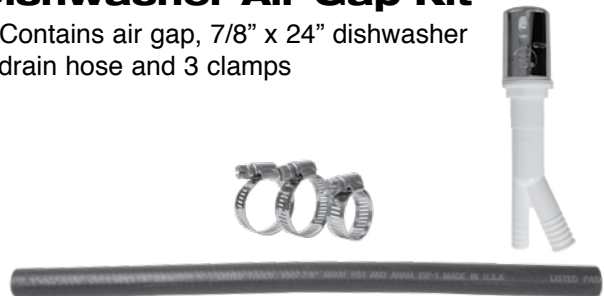
- White polypropylene body with chrome plated ABS top
- UPC listed



PART NUMBER	DESCRIPTION
50710	Chrome Plated Air Gap
50712	Chrome Plated Air Gap w/Hose

Dishwasher Air Gap Kit

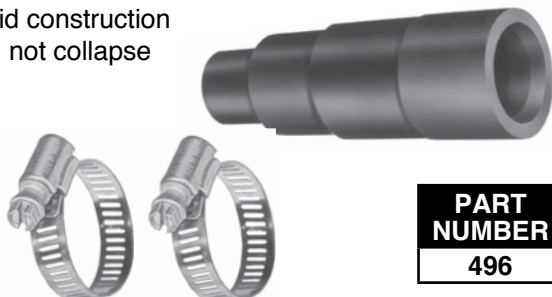
- Contains air gap, 7/8" x 24" dishwasher drain hose and 3 clamps



PART NUMBER	DESCRIPTION
50710-BN	Brass Nickel Air Gap
50712-BN	Brass Nickel Air Gap w/Hose

Dishwasher Connector Kit

- Rigid construction
- Will not collapse



PART NUMBER
496

Dishwasher Inlet Elbow

3/8" OD x 3/4" FHT
3/8" OD Ferrule
Brass

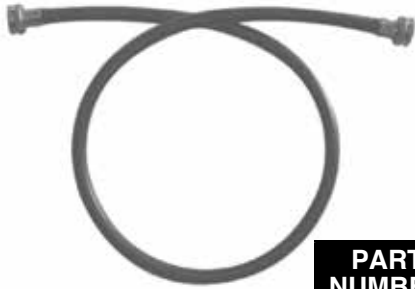
Compliant AB 1953



PART NUMBER
506

Rubber Washing Machine Inlet Hose

- 3/4" female x 3/4" female hose thread
- Braided and reinforced

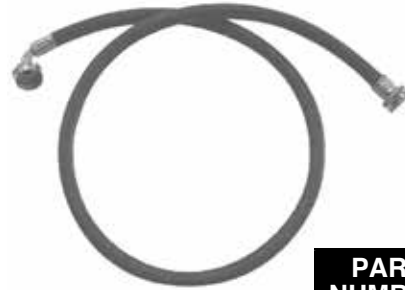


PART NUMBER	LENGTH
464	4'
465	5'
466	6'
468	8'



Rubber Washing Machine Inlet Hose w/ 90 Degree Elbow

- 3/4" female x 3/4" female hose thread
- Braided and reinforced



PART NUMBER	LENGTH
474	4'
475	5'
476	6'
478	8'



Rubber Hook Drain Hose

- Flanged end for multiple sizes
- Fits 3/4" – 7/8" – 1" outlets



PART NUMBER	LENGTH
485	5'
486	6'



Rubber Utility Hose

- "Y" MIXER HOSE
- 3/4" female hose thread



PART NUMBER
481

Rubber Mop Sink Hose

- 3/4" female hose thread
- 36" braided hose (shortened photo)



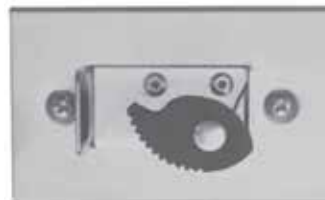
Hose and Bracket sold separately

PART NUMBER
489



Wall Bracket for Mop Sink Hose

- With mounting screws



PART NUMBER
488



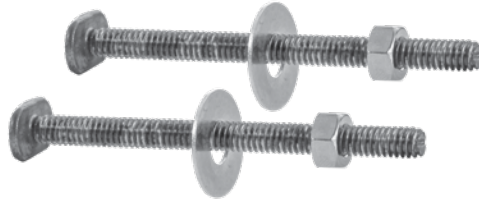
Packaged BRASS Bolt Sets with Nuts & Washers

Brass bolts made in the U.S.A.

PASCO has cataloged the most popular bolt sets.

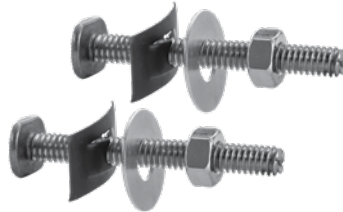
Each set comes with 2 brass bolts, 2 NP brass nuts and 2 plated steel washers.

Please contact us to package any set you require from other components listed on the following pages.



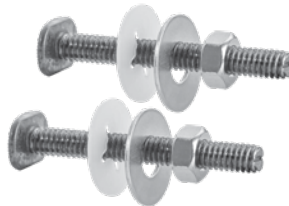
PART NUMBER	SIZE
100	1/4" x 2-1/4"
94	1/4" x 3-1/2"
82	5/16" x 2-1/4"

- With Steel Speed Nuts



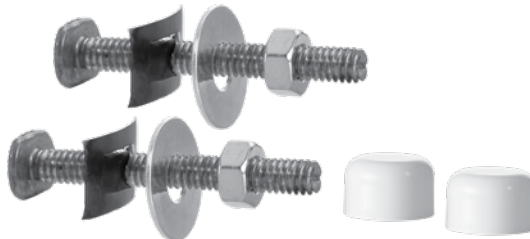
PART NUMBER	SIZE
102	1/4" x 2-1/4"
107	1/4" x 3-1/2"
59	5/16" x 2-1/4"

- With "Push On" Speed Washers



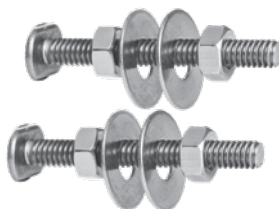
PART NUMBER	SIZE
102-SN	1/4" x 2-1/4"
107-SN	1/4" x 3-1/2"

- With Speed Nuts & Round Plastic Bolt Caps



PART NUMBER	SIZE
106	1/4" x 2-1/4"

- With Hex Speed Nuts



PART NUMBER	SIZE
28	1/4" x 2-1/4"
30	1/4" x 3-1/2"

Packaged ALL STAINLESS STEEL Bolt Sets with Stainless Steel Nuts & Washers

Marine grade 305 stainless steel - packaged one pair per bag
Easily cut with Tiny Tim Hacksaw

Won't Corrode

PART NUMBER	SIZE
100-SS	1/4" x 2-1/4"
94-SS	1/4" x 3-1/2"

- With Tinnerman Nuts

PART NUMBER	SIZE
102-SS	1/4" x 2-1/4"
107-SS	1/4" x 3-1/2"

- With Plastic Speed Washers

PART NUMBER	SIZE
102-SSN	1/4" x 2-1/4"
107-SSN	1/4" x 3-1/2"

- "DOUBLE NUT"
With Hex Speed Nuts

PART NUMBER	SIZE
28-SS	1/4" x 2-1/4"
30-SS	1/4" x 3-1/2"

Bulk Stainless Steel Bolts, Nuts & Washers - 100 Pack	Bolts Only		Nuts Only		Washers Only
	PART NUMBER	SIZE	PART NUMBER	SIZE	PART NUMBER
	104-SS	1/4" x 2-1/4"	1647-SS	1/4"	140
111-SS	1/4" x 3-1/2"				



Closet Bolts, Screws, Nuts & Washers

100 Bulk packed

Closet Studs

• Brass



PART NUMBER	SIZE
108	1/4" x 2-1/4"

Closet Screws

• Brass



PART NUMBER	SIZE
120	1/4" x 2-1/2"
121	1/4" x 3-1/2"

Closet Bolts

• Brass



PART NUMBER	SIZE
110	1/4" x 2-1/4"
111	1/4" x 3-1/2"
112	5/16" x 2-1/4"
113	5/16" x 3-1/2"

Closet Bolt Washers



Round Washer

Oval Washer

PART NUMBER	MATERIAL	HOLE SIZE	PART NUMBER
138	Plated Steel - Round	5/16"	—
140	Heavy Stainless Steel	5/16"	147
142	Heavy NP Brass	5/16"	—

Plastic Bolt Caps



* With snap on washer

PART NUMBER	SIZE	SHAPE
912	1/4"	Oval
913	1/4"	Round
917-PR*	1/4" or 5/16"	Round

Speed Nuts



PART NUMBER	SIZE	MATERIAL
136	1/4"	Steel
136-P	1/4"	Plastic
143	5/16"	Steel

Open Head Bolt Nuts



PART NUMBER	SIZE	MATERIAL
132	1/4"	Plated Brass
133	5/16"	Plated Brass
1647-SS	1/4"	Hex Stainless Steel

Closed Head Screw Nuts

• Plated Brass

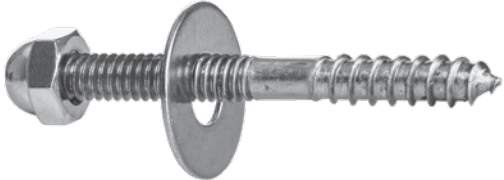


PART NUMBER	SIZE
134	1/4"

Closet Bolts, Screws, Nuts & Washers

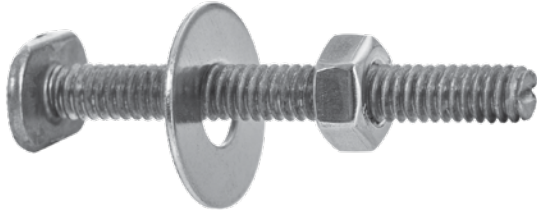
100 Bulk packed

Combo Brass Closet Screws, Nuts & Washers



PART NUMBER	SIZE	ROUND WASHER
152	1/4" x 2-1/2"	Plated Steel

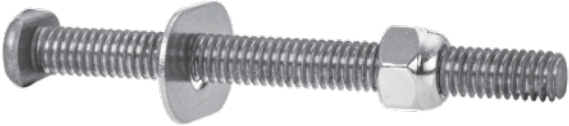
Combo Brass Closet Bolts, Nuts & Washers



* Breakoff Bolts

PART NUMBER	SIZE	ROUND WASHER
180	1/4" x 2-1/4"	Plated Steel
181	1/4" x 3-1/2"	
184	1/4" x 2-1/4"	Brass
188	1/4" x 2-1/4"	Plated Brass
189	1/4" x 3-1/2"	

Combo Brass Closet Bolts Nuts & Washers




PART NUMBER	SIZE	ROUND WASHER
192	1/4" x 2-1/4"	Plated Steel
197	5/16" x 3-1/2"	Stainless Steel


Plastic Toilet Shims

"Takes the Wobble Out"

- Hard or Soft



PART NUMBER	TYPE	QUANTITY
233	Soft	10
234	Hard	10
2346	Hard	300
2347	Soft	300





Quick Ring

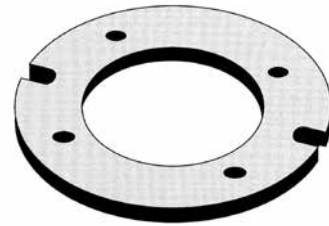
- Replaces any and all closet rings



PART NUMBER
21013

Closet Flange Extension

- 1/4" thick
- Durable ABS

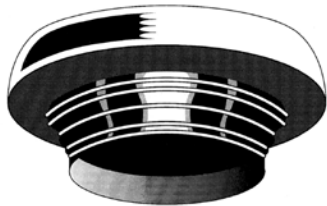


PART NUMBER
1018

Flex-A-Flange

Closet Bowl Wax Gasket With Plastic Flange

- For 3" or 4" cast iron, brass, plastic and steel/plastic combo closet rings.

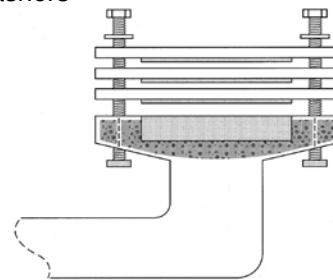


PART NUMBER	DESCRIPTION
270	Flange
271	Flange w/#102 brass bolt sets

Closet Flange Extension Kit

Kit Contains:

- 3 Self-sealing extenders
- With 1/4" x 3-1/2" closet bolts, nuts & washers



PART NUMBER	BOLT SET
1018-K	Stainless Steel
1018-BR	Brass

Sponge Rubber Closet Bowl Gasket

- Resists mold, mildew and fungus



PART NUMBER	THICKNESS & DIAMETER
2230	3/4" x 5-1/4"

Sponge Rubber Closet Bowl Gasket

Covers Entire Width of Closet Ring

- Resists mold, mildew and fungus
- Has holes for closet bolts

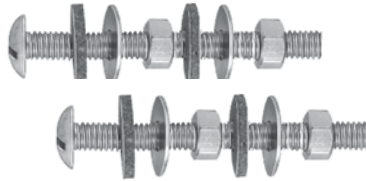


PART NUMBER	THICKNESS & DIAMETER
2227	3/8" x 6-3/4"
2231	3/4" x 6-3/4"

Brass Tank to Bowl Bolt Sets

Each Set Contains:

- Brass Bolts
- Brass Hex Nuts
- Cloth Inserted Rubber Washers
- Plated Brass Washers



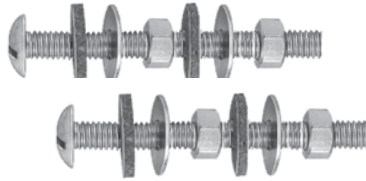
PART NUMBER	SIZE	WASHERS	
		RUBBER	PLATED BRASS
235	5/16" x 3"	2	2
237	5/16" x 3"	4	4



Stainless Steel Tank to Bowl Bolt Sets

Each Set Contains:

- 2 Stainless Steel Bolts
- 4 Stainless Steel Hex Nuts
- 4 Cloth Inserted Rubber Washers
- 4 Stainless Steel Washers



Won't Corrode



PART NUMBER	SIZE
237-SS	5/16" x 3"



Tank to Bowl Connector Kit with Rubber Components

With Rubber Gasket

Each Set Contains:

- 1 Rubber Gasket
- 2 Bolts: Brass or Stainless Steel
- 4 Heavy Washers: Brass or Stainless Steel
- 4 Rubber Washers
- 4 Hex Nuts: Brass or Stainless Steel



PART NUMBER	GASKET TYPE	MATERIAL
437	Regular	Brass
437-SS	Regular	Stainless Steel
439	AmStan	Brass
439-SS	AmStan	Stainless Steel



Cloth Inserted Rubber Washers

- For Tank to Bowl Bolt



PART NUMBER
242



Hex Nut - Brass

- For Tank to Bowl Bolt



PART NUMBER	SIZE	MATERIAL
243-B	5/16"	Brass

Tank to Bowl Bolts - Brass



PART NUMBER	SIZE	MATERIAL
232	5/16" x 3"	Brass



Toilet Tank Trip Levers

Premium Quality

- 8" Flat brass arm
- CP Die cast handle
- Die Cast locknut



**PART
NUMBER**
1055

Standard

- 8" Round brass arm
- CP Die cast handle
- Die cast spud
- **NEW** finger tight locknut



**PART
NUMBER**
1040

Economy

- 8" Round brass arm
- CP Die cast handle
- Plastic spud
- **NEW** finger tight locknut



**PART
NUMBER**
1041

Western Pottery

- 10" Round brass arm
- CP Die cast handle
- Plastic spud
- Plastic locknut
- Side mount



**PART
NUMBER**
1058

ToTo

- 10" Round brass arm
- CP Die cast handle
- Plastic spud
- Plastic locknut
- Side mount



**PART
NUMBER**
1059

Toilet Tank Trip Levers

Index Style

- 8" Round brass arm
- CP Die cast handle
- Plastic spud
- Plastic locknut



**PART
NUMBER**
1057

Mansfield

- 9" White plastic arm
- CP Die cast handle
- Plastic spud
- Plastic locknut



**PART
NUMBER**
1045

Kohler Wellworth II

- 8" Plastic arm
- CP Die cast handle
- Plastic spud
- Plastic locknut



**PART
NUMBER**
1053

Eljer

- 10" Brass arm
- CP Die cast handle
- Plastic spud
- Plastic locknut
- Side mount



**PART
NUMBER**
1054

Offset - Premium Quality

- 9-1/2" Offset flat brass arm
- CP Die cast handle
- Modern styling
- High Quality
- Die cast locknut



**PART
NUMBER**
1056



korky[®]

- Universal replacement flapper
- Preferred by plumbers in the market since 1954.



PART NUMBER
54

korkyplus[®]

- Universal replacement flapper
- Premium quality withstands chloramine and toilet tank cleaners



PART NUMBER
2001

korky1.6[®]

- Fits most 1.6 gallon toilets
- The adjustable water-saver saves up to 50% more water when used in conventional toilets.



PART NUMBER
16

korky[®]

- Fits Kohler[®] Rialto™/Float**
- Replaces Kohler p/n 83064
 - Embedded styrofoam float
 - Fits specific Kohler one-piece toilets
 - Premium red Chlorazone[®] rubber resists chlorine



PART NUMBER
2010

korky[®]

- Fits Kohler[®] Hinge**
- Replaces Kohler p/ns 84995 & 1000490
 - Flapper hinges onto back of flush valve
 - Fits specific Kohler one-piece toilets
 - Premium red Chlorazone[®] rubber resists chlorine



PART NUMBER
2011

korky[®]

- Fits Kohler[®] Shark Fin**
- Replaces Kohler p/ns 84318, 84314, 85655 and 89825
 - Premium red Chlorazone[®] rubber resists chlorine



PART NUMBER
2012



With Styrofoam float

- This flapper includes the styrofoam float and is adjustable for the perfect flush



PART NUMBER
2004



Fits TOTO® G-Max™ Flapper

- Authorized replacement flapper for TOTO G-Max toilets
- 3" sealing surface for larger TOTO flush valve seats
- Premium red Chlorazone® rubber resists chlorine



PART NUMBER
2021



Fits TOTO® Power Gravity™ Flapper

- Authorized replacement flapper for TOTO Power Gravity toilets
- 3" sealing surface for larger TOTO flush valve seats
- Premium red Chlorazone® rubber resists chlorine

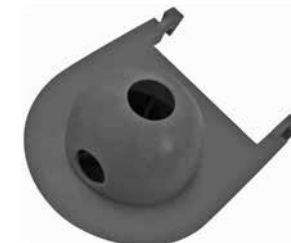


PART NUMBER
2022K



Fits Kohler® Class Five Flapper

- Larger 3-1/4" replacement flapper
- Replaces Kohler p/ns 1016546 & 1042313
- Engineered materials resist chlorine
- Five year guarantee



PART NUMBER
3010K



3-Way Flapper

- Stainless Steel Chain
- High quality vinyl



PART NUMBER
1026

Rubber Flapper

- 8" Chain
- For Kohler
- Resistant to tank bowl cleaners



PART NUMBER
1031

Tank Floats

- Copper or Plastic
- 1/4" Float Rod



PART NUMBER	SIZE	TYPE
1073	4" x 5"	Oval Plastic

Douglas Flush Valve

- Rubber washer
- Solid ring guide
- Locknut
- Overflow tube



PART NUMBER	DESCRIPTION
1027	Brass Flush Valve
1029	White Plastic Flush Valve, with Flapper

Lift Wires - Brass

- Order in packs of 25 or 100



PART NUMBER	DESCRIPTION
851	5-1/2" Lower lift wire
856	9" Upper lift wire



Brass Urinal Outlet Spud

IPS or Sweat Connection

- With studs, washers and nuts and #2096 sponge type gasket



PART NUMBER	DRAIN CONNECTION	URINAL TYPE	BOLT HOLE CENTERS
94700	2" IPS	Crane	5-1/2"
94701	2" Sweat	Crane	5-1/2"
94702	2" IPS	Crane Hex Bolts	5-1/2"
94703	2" IPS	UR	4-1/2"
94704	2" IPS	Elijer	4-1/4"
94705	2" Sweat	Elijer	4-1/4"
94706	2" IPS	AmStand	4"

Closet & Urinal Spuds



PART NUMBER	TYPE	SIZE	LOCKNUT
956	Closet	2"	Brass
957	Closet	2" x 1-1/2"	Brass
958	Closet	2" x 1-1/4"	Brass
959	Closet	1-1/2"	Brass
960	Closet	1-1/4"	Brass
961	Urinal	1" x 3/4"	Brass
962	Urinal	1-1/4" x 3/4"	Brass
963	Closet	1-1/2" x 1-1/4"	Brass

Anti-Siphon Ballcocks

- Reliable - Quiet
- Brass float rod
- Adjustment screw



PART NUMBER	DESCRIPTION
1009	8-1/2"
1010	10"
1015-N	Diaphragm & Adjustable Screw
1320	Plastic Coupling Nut
2099	Shank Washer



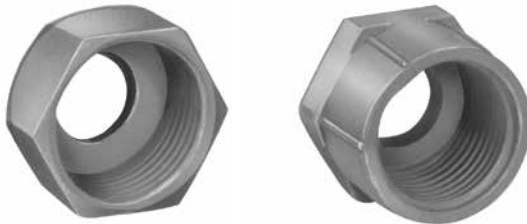
Lock Nuts



PART NUMBER	SIZE	MATERIAL
1294*	1/2"	Die Cast
1306*	1-1/4"	Brass
1307*	1-1/2"	Brass
1316	3-3/8"	Die Cast Basket Strainer

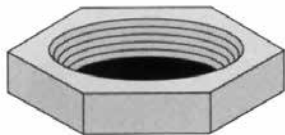
* For closet and urinal spuds

Lavatory Coupling Nuts



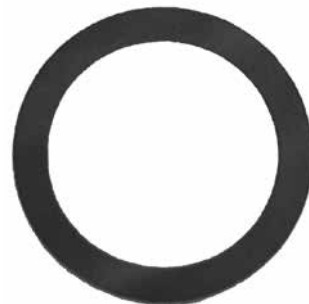
PART NUMBER	SIZE	MATERIAL
1322	1/2" x 7/16"	Brass
1326-C	1/2" x 3/8"	CP Die Cast
1328-C	1/2" x 1/2"	CP Die Cast
1335	1/2" x 1/2"	Brass

Locknuts - Brass



PART NUMBER	SIZE
7564	1/2"
7565	3/4"

Brass Friction Rings



PART NUMBER	SIZE
1385	1/2" x 3/8"
1391	1-1/4"
1392	1-1/2" x 1-1/4"
1394	1-1/2"

Ballcock Coupling Nut



PART NUMBER	MATERIAL	SIZE
1320	Plastic	1/2"
1321	Brass	1/2"

Die Cast Slip Joint Nuts



PART NUMBER	SIZE	FINISH
1330-C	1-1/4"	Chrome
1331-C	1-1/2" x 1-1/4"	Chrome
1332-C	1-1/2" x 1-3/8"	Chrome
1333-C	1-1/2"	Chrome
1333-P	1-1/2"	Plain

Brass Slip Joint Nuts



PART NUMBER	SIZE	FINISH
1336	1-1/4"	Rough
1336-C	1-1/4"	Chrome
1337	1-1/2" x 1-1/4"	Rough
1337-C	1-1/2" x 1-1/4"	Chrome
1338	1-1/2"	Rough
1338-C	1-1/2"	Chrome
1339-C	2"	Chrome

Chrome Slip Joint Nut Sets with Washer, Friction Ring



PART NUMBER	SIZE	MATERIAL
1346-C	1-1/4"	Brass
1347-C	1-1/2" x 1-1/4"	Brass
1348-C	1-1/2"	Brass
1349-C	1-1/4"	Die Cast
1350-C	1-1/2" x 1-1/4"	Die Cast
1351-C	1-1/2"	Die Cast

Brass Solder Collars

• Threads fit slip joint nuts



PART NUMBER	SLIP JOINT	FOR USE WITH
1314	1-1/2"	Tubular
1315		CWT



Tank-to-Bowl Gaskets

- Sponge Rubber



PART NUMBER	DESCRIPTION
2096	Regular
2097	Recessed for AmStand

Slip Joint Washers

- Square Cut Washers



PART NUMBER	SIZE
2202	2"
2204	1-1/2"
2208	1-1/2" x 1-1/4"
2209	1-1/4"

Poly Washers for Tailpieces



PART NUMBER	SIZE	DESCRIPTION
2214	1-1/2"	Beveled
2218	1-1/2" x 1-1/4"	Beveled
2219	1-1/4"	Beveled
2222	1-1/2"	Flanged

Tailpiece Washer

- Cloth Inserted Rubber
- Top quality, excellent seal



PART NUMBER	SIZE
2211	1-1/2" x 1-1/4"

Ballcock Shank Washer

- Beveled Rubber



PART NUMBER
2099

Garden Hose Washer

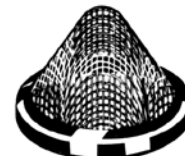
- Fits 3/4" FHT



PART NUMBER
2224

Cone Filter Washer

- Fits 3/4" FHT



PART NUMBER
2244

Wall Hung Urinal Spud Washer

- Large style for additional sealing surface
- 4-1/2" OD x 2-7/8" ID
- 1/2" Thick
- Sponge Rubber



PART NUMBER
2083

Spud Friction Rings

Galvanized



PART NUMBER	SIZE
2078	1-1/2"

Spud Washers

- Rubber



PART NUMBER	SIZE
2088	1-1/2"
2089	1-1/4"
2090	1" x 3/4"

Waste & Overflow Washers

- Sponge Rubber



PART NUMBER	DESCRIPTION
2091	2-1/8" x 3-3/16" x Beveled
2092	1-7/8" x 2-7/8" x 3/8"



Plumbers Pack O-Ring Kit

Popular O-ring sizes
in a reusable
box



**PART
NUMBER**
2250

Faucet Stem Washer Assortment - Flat

- 00-1/2" Trade Size
- 350 Pieces
- 8 common sizes
fit most stems
manufactured



**PART
NUMBER**
2870



O-Ring Pick



**PART
NUMBER**
5200

Graphite Packing

- 3/32" x 24" Length



**PART
NUMBER**
2290

Soap Dispenser

THROUGH THE COUNTER

- 2" Spout 10" Length
- Chrome plated brass pump
- Mounts through counter
- Unbreakable poly bottle
- Holds 7 oz.



PART NUMBER	DESCRIPTION
2042	Complete Dispenser
2042-B	Bottle Only

Brass Waste Connectors (Desanko Fittings)

The charts below let you choose the type of slip joint nut, either chrome plated die cast or plain brass and the type of compression ring, either brass or poly.

To order waste connectors with chrome plated brass nuts, add **CP** to waste connector part number.

Tubular X Male Pipe Thread (Outlet) Female Copper Sweat Under MPT



*Complies with UPC

PART NUMBER	TUBULAR X MPT	SLIP NUT	COMPRESSION RING
1893	1-1/4" x 1-1/2"	Chrome	Brass
1894	1-1/2"	Die Cast	
1942	1-1/4"	Rough Brass	
1943	1-1/4" x 1-1/2"		
1944	1-1/2"	Chrome	Poly
1905	1-1/4" x 1-1/2"	Die Cast	
1906	1-1/2"	Rough Brass	Brass
1944-S w/stops*	1-1/2"		

Tubular X Female Pipe Thread (Outlet)



*Complies with UPC

PART NUMBER	TUBULAR X FPT	SLIP NUT	COMPRESSION RING
1895	1-1/4"	Chrome Die Cast	Brass
1896	1-1/4" x 1-1/2"		
1897	1-1/2"		
1946	1-1/4" x 1-1/2"	Rough Brass	
1947	1-1/2"		
1908	1-1/4" x 1-1/2"	Chrome Die Cast	Poly
1909	1-1/2"	Rough Brass	
1947-S w/stops*	1-1/2"		

Female Copper Sweat (Outlet)



PART NUMBER	TUBULAR X COPPER	SLIP NUT	COMPRESSION RING
1900	1-1/2"	Chrome Die Cast	Brass
1949	1-1/4" x 1-1/2"	Rough Brass	
1950	1-1/2"		
1911	1-1/4" x 1-1/2"	Chrome Die Cast	Poly
1912	1-1/2"	Rough Brass	

Continued on following page



Brass Waste Connectors (Desanko Fittings)

The charts below let you choose the type of slip joint nut, either chrome plated die cast or plain brass and the type of compression ring, either brass or poly.

To order waste connectors with chrome plated brass nuts, add CP to waste connector part number.

Male Copper Sweat (Outlet)



PART NUMBER	TUBULAR X COPPER	SLIP NUT	COMPRESSION RING
1903	1-1/2"	Chrome Die Cast	Brass

Brass Tubular Compression Rings



PART NUMBER	SIZE
1990	1-1/4"
1992	1-1/2"

Chrome Plated Brass Cover Tube for Copper or CPVC

- Slips over either copper or CPVC supply lines between the wall and angle stop.
- Fits over 5/8" OD Tube
- 3-1/2" Length



PART NUMBER
8489



Aerators

Quality recognized for years throughout the industry!
 Components in contact with water are lead free.

The only component made of brass is the housing and it does not come in contact with water.

Premium Quality Aerators

- Chrome plated brass
- Special stainless steel screen
- Stylized appearance
- NSF listed Santoprene® washer
- All aerators are individually bagged
- Meets ANSI A-112.18M
- 2.2 GPM at 60 PSI - 2103, 2105
- 2.5 GPM at 80 PSI - 2103, 2105
- 1.5 GPM at 60 PSI - 2104



SLOTTED

PART NUMBER	THREADS	GPM
2103	Female 55/64" - 27	2.2
2105	Dual 15/16 - 55/64" - 27	2.2

SLOTTED WATER SAVER

2104	Dual 15/16 - 55/64" - 27	1.5
------	--------------------------	-----

Economy Quality Aerators

- Chrome plated brass
- Stylized appearance
- NSF listed Santoprene® washer
- All aerators are individually bagged
- Meets ANSI A-112.18M
- 2.2 GPM at 60 PSI
- 2.5 GPM at 80 PSI



SLOTTED

PART NUMBER	THREADS	GPM
2124	Dual 15/16 - 55/64" - 27	2.5
2130	Male 13/16" - 27	2.2
2131	Female 3/4" - 27	2.2

Aerator Counter Displays

These displays are guaranteed to trigger an impulse purchase by the plumber!

Small display generates BIG profits!

24 tubes - 6 aerators per tube



SLOTTED PREMIUM QUALITY

PART NUMBER	THREADS	GPM
2106	Contains 144-2105	2.2
2107	Contains 144-2104 Water Saver	1.5

NON-SLOTTED ECONOMY QUALITY

2125	Contains 144-2124	2.5
------	-------------------	-----



Kitchen Sink Hose & Spray Head

- Replaces existing units



PART NUMBER	DUAL THREADS
1366	Complete Unit
1368	Head ONLY
1368-W	White-Head ONLY

Junior Basket Strainer

For 2" - 2-1/2" Outlet

- CP Brass body
- Stainless steel basket
- Complete with washers & nuts



PART NUMBER	LOCKNUT	SLIP JOINT NUT
1361*	Brass	Plated Die Cast
1361-B	Basket Only	

*1361 replaces 1361-BN

Junior Duo Strainer

For 2" - 2-1/2" Outlet

- CP Brass body
- Stainless steel basket
- Complete with washers & nuts



PART NUMBER	LOCKNUT	SLIP JOINT NUT
1365*	Brass	Plated Die Cast
1365-B	Basket Only	

*1365 replaces 1365-BN

Tray Plug

For 2" - 2-1/2" Outlet

- CP Brass body
- Rubber Plug
- Complete with washers & nuts



PART NUMBER	LOCKNUT	SLIP JOINT NUT
1370*	Brass	Plated Die Cast

*1370 replaces 1370-BN

Flat Duplex Strainer

For 2" - 2-1/2" Outlet

- CP Brass body
- Stainless steel strainer
- Complete with washers & nuts

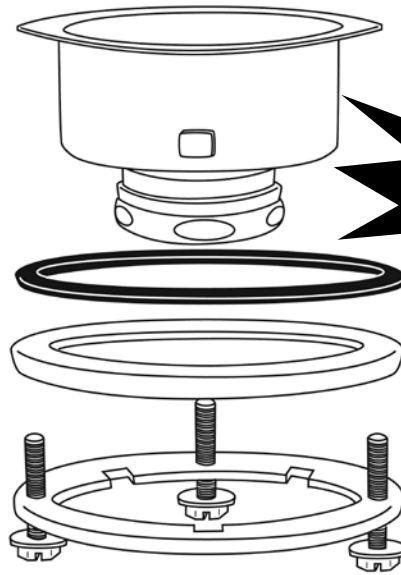


PART NUMBER	LOCKNUT	SLIP JOINT NUT
1371*	Brass	Plated Die Cast

*1371 replaces 1371-BN



EZ ON Basket Strainer



**Installs in
less than
30 seconds!**

EZ ON Satin Stainless Steel Finish

- 304 stainless steel body
- Polished drain flange
- Stainless steel basket
- Fits sink openings of 3 1/2" to 4"
- Available in display box of 16 pcs



**PART
NUMBER**
21901

EZ ON - Bright Polished Stainless Steel Finish

- 304 stainless steel body
- All surfaces polished
- Stainless steel basket
- Fits sink openings of 3 1/2" to 4"
- Available in display box of 16 pcs



**PART
NUMBER**
21907

EZ ON Brushed Nickel Finish

- All surfaces are PVD finish
- Finish will not chip or corrode
- Basket finished to match
- Fits sink openings of 3 1/2" to 4"



**PART
NUMBER**
21905



Specification Grade Stainless Steel Basket Strainer

- Heavy duty - cup style
- 3-1/2" to 4" Sink drain opening
- 304 Stainless steel bodies
- Stainless steel basket
- Brass locknut and slip joint nut
- Poly tailpiece washer

Equal to:
 Watts 644003
 Dearborn 14
 Watts 652003



PART NUMBER	DESCRIPTION
21914	Complete Unit

Spin Lock Chrome Plated Brass Basket Strainer

- 3-1/2" to 4" sink drain openings
- 304 Stainless steel body
- Stainless steel basket
- Brass locknut and slip joint nut
- Poly tailpiece washer

Equal to:
 Dearborn 17
 Watts 653003



PART NUMBER	DESCRIPTION
21917	Complete Unit
21923	Basket Only

Plumber Quality Chrome Plated Brass Basket Strainer

- 3-1/2" to 4" sink drain openings
- Stainless steel stick post basket
- Die cast slip joint nut and locknut
- Poly tailpiece washer

Equal to:
 Dearborn 16
 Watts 2-8-3
 Sanitary Dash SS250
 Garvin 2250



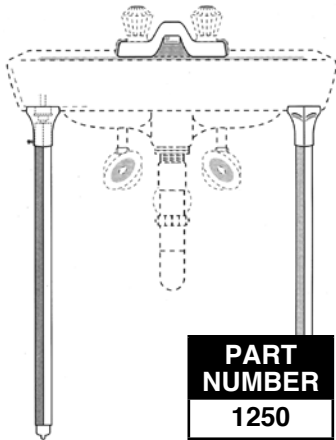
PART NUMBER	DESCRIPTION
21906	Complete Unit



Lavatory Legs

Adjustable To Fit a Variety of China and Enamel Lavatories

- Chrome plated
- 2" Adjustment
- 30" overall length
- Boxed by the pair
- Installation instructions with each pair



PART NUMBER
1250

Brass Pop-Up Assemblies

Highest Quality

- Chrome plated brass
- Brass locknut
- Plastic
- Generic



PART NUMBER	FITS
11701	Moen*
11702	Price Pfister
11703	Gerber

Crumb Cup Strainer

- Chrome plated brass
- #1341 - 1-7/8" x 1"
- #1344 - 1-1/4" x 11/16"



PART NUMBER	FITS
1341	Sink
1344	Lavatory less post

Faucet Hole Covers



PART NUMBER	SIZE
1274	2"
1275	1-3/4"

Deep Basin Rosette

- Stamped steel



PART NUMBER
1266

Flat Basin Rosette

- Stamped steel



PART NUMBER
1268

Replacement Strainers

Snap-in stainless steel



PART NUMBER	STRAINER SIZE	FITS
1205	3"	2" DWV
1206	4"	3" DWV
1207	5"	4" DWV



Lavatory Hanger

For China Lavatories

- Stamped steel
- Supplied in pairs



PART NUMBER
1220



“Z” Hanger

Adjustable For Enameled Iron or China Lavatories

- For iron, side lugs fit the pockets
- For china, knock off the side lugs
- 5” to 16” adjustment
- Cast iron

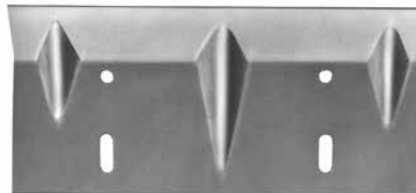


PART NUMBER
1221

Lavatory Hanger

For China Lavatories

- Stamped steel
- Plated for corrosion resistance
- 8” wide



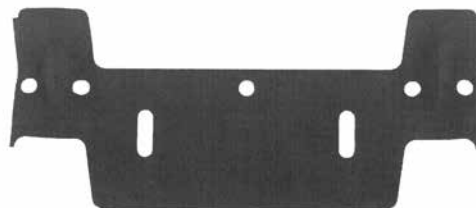
PART NUMBER
1222



Amstan Style Lavatory Hanger

Designed to fit Amstan Style Lavatories

- Stamped steel
- Plated for corrosion resistance
- 10-1/2” wide



PART NUMBER
1223



Tub Spouts

- Chrome plated brass or die cast
- 5-5/8" Length



PART NUMBER	MATERIAL	FINISH	MOUNT	FPT
1115	Brass	Chrome	Front	1/2"
1126	Brass	Chrome	Back	1/2" - 3/4"
1134	Die Cast	Chrome	Front	1/2"

Diverter Spouts, Front Lift

- Chrome plated brass or die cast
- 5-5/8" Length
- Front mount

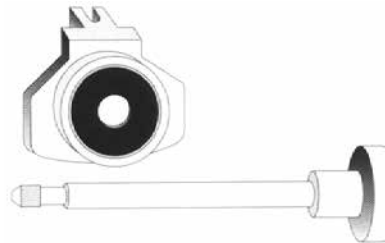


PART NUMBER	MATERIAL	FINISH	FPT
1117	Brass	Chrome	1/2"
1128	Die Cast	Chrome	1/2"

Diverter Spouts Lift Replacement

Fits Spouts:
1128, 1134, 1136, 11287,
11427, 1142, 1143 & 1144

- Brass lift
- Rubber washer
- Plastic slide
- Installs in seconds



PART NUMBER
1109

Adjustable Tub and Diverter Spouts

- Copper or IPS**
- Chrome plated die cast
 - 5-5/8" Length



PART NUMBER	FINISH	ADJUST.	DIVERTER	PIPE SIZE
1136	Chrome	2-1/4"	No	1/2" CWT
1142	Chrome	2-1/4"	Yes	1/2" CWT
1143	Chrome	1"	No	1/2" - 3/4" IPS
1144	Chrome	1"	Yes	1/2" - 3/4" IPS



New!

Diverter Spouts, Decorative

- Chrome plated die cast
- Three connection styles:
 - 1/2" FPT front mount
 - 1/2" copper slip fit
- 5-5/8" Length



When installing as either the 1/2" copper slip fit, remove mounting cartridge first from spout, attach to inlet, then install spout.

PART NUMBER	MOUNT
1120	1/2" FPT Front

Diverter Spouts, Back Lift

- Chrome plated brass or die cast
- 5-5/8" Length
- Back mount



PART NUMBER	MATERIAL	FPT
1127	Brass	1/2"
1129	Brass	3/4"
1140	Die Cast	1/2" - 3/4"

7" Long Diverter & Tub Spouts

- Available in four styles
- Chrome plated die cast
- Individually boxed
- Diverter are front lift
- IPS are front mount
- CWT are slip fit

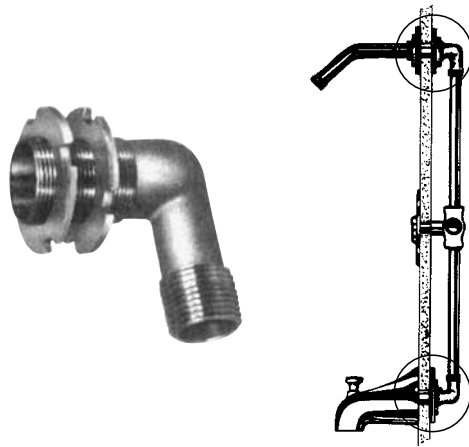


PART NUMBER	DIVERTER	PIPE SIZE
11287	Yes	1/2" IPS
11347	No	
11367	No	1/2" CWT
11427	Yes	

Fiberglass Shower Arm Ell

This brass Ell securely mounts a shower arm to a fiberglass shower stall. Also can be used to secure a tub spout nipple. Can be used with copper, iron pipe or compression fittings. Prevents movement of shower arm and tub spout.

- Locknuts secure Ell to fiberglass wall
- Requires 1-1/32" hole through fiberglass
- Outlet end 1/2" FIP
- Inlet end 1/2" CWT or 1/2" MPT



PART NUMBER
1195

Bathcock Coupling

- 1/2" MPT x 3/4" MPT
- Satin finish brass
- Sold by the pair



PART NUMBER
1793

Solid Brass Twin Ell

For use with Diverter Spouts



PART NUMBER	SIZE NPT		
	SPOUT	IN	SHOWER
1145	3/4"	1/2"	1/2"

Diverter Spout

For Hand Held Shower

- Chrome plated die cast
- 1/2" male hose adapter included for hand shower hose
- 1/2"-3/4" IPS Back mount



PART NUMBER	FIP	PROTUSION FROM WALL
1133	1/2" or 3/4"	5-1/8"

Bath Supplies for Leg Style or Old Style Bath Tubs

2 Styles With Nuts and Washers



1/2" Chrome plated copper

PART NUMBER	DESCRIPTION
1792	90° Single Bend for 3-3/8" Centers
17925	Offset Bend for 3-3/8" to 4" Centers
1794	KIT ONLY 2 each of nuts, cone washers & friction rings



Shower Valve Rebuild Kits

For the most popular brands. These conveniently packed kits contain all parts needed to rebuild shower valves.

Price Pfister Verve®

- 3 Handle Valve w/ Diverter
- Sold complete as shown
- Seats included
- Parts not sold separately



PART NUMBER	DESCRIPTION
28314	Two Handle
28315	Three Handle

Sayco®

- 3 Handle Valve w/ Diverter
- Sold complete as shown
- Seats included
- Parts not sold separately



PART NUMBER
28317

American Standard - Colony®

- 3 Handle Valve w/ Diverter
- Sold complete as shown
- Seats included
- Parts not sold separately



PART NUMBER	STEM LENGTH
28310	Short
28311	Long

American Standard - Aquaseal®

- 3 Handle Valve w/ Diverter
- Sold complete as shown
- Seats included
- Parts not sold separately



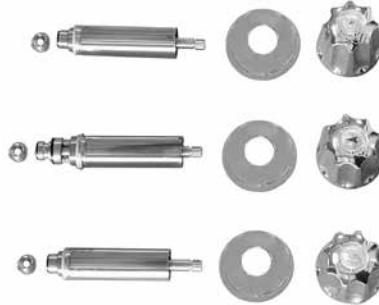
PART NUMBER
28312

Shower Valve Rebuild Kits

For the most popular brands. These conveniently packed kits contain all parts needed to rebuild shower valves.

Gerber®

- 3 Handle Valve w/ Diverter
- Sold complete as shown
- Seats included
- Parts not sold separately



PART NUMBER	DESCRIPTION
28319	Canopy

Sterling®

- 3 Handle Valve w/ Diverter
- Sold complete as shown
- Seats included
- Parts not sold separately



PART NUMBER
28318

Kohler®

- 2 Handle Valve
- Sold complete as shown
- Seats included
- Parts not sold separately



PART NUMBER
28321

Central Brass®

- 3 Handle Valve w/ Diverter
- Sold complete as shown
- Seats included
- Parts not sold separately



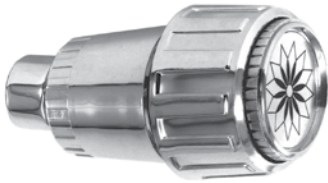
PART NUMBER
28322

NOTE: Please do not confuse PASCO Specialty & Mfg., Inc. with these companies. PASCO is an independent manufacturing distributor of quality plumbing specialty products, which, although may not be manufactured by the original product manufacturer, are precision made.



Simply The Best Shower Head

- 1/2" FPT
- Easily adjusts from fine to peppery spray
- Chrome plated brass ball joint
- Vandal resistant
- #1167 - 2.5 GPM @ 70 PSI
- #1167RF - 1.5 GPM @ 70 PSI
- Removable filter screen prevents clogging of spray



PART NUMBER
1167
1167RF

Economy Shower Head

- 1/2" FPT
- 1.5 GPM @ 70 PSI
- Chrome plated plastic
- Adjustable



PART NUMBER
1189-RF

Shower Arm Shut Off

- 1/2" MPT x 1/2" FPT
- Chrome plated brass



**Shower head will still dribble after shut off to prevent back flow.*

PART NUMBER
1168

EZ ROUGH-IN TEST PLUG

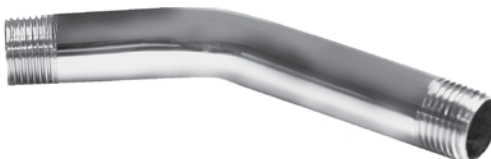
- Reusable
- Money Saver
- Hand tighten
- Blue plastic poly
- 1/2" MPT
- O-ring sealed gasket
- No thread sealant or tape needed



PART NUMBER
4760

Shower Arms

- Chrome plated brass
- 1/2" IPS - Heavy wall thickness



PART NUMBER	HEIGHT
1185	6"
1186	8"
1193	10"

Shower Arm Flanges



PART NUMBER	FLANGE STYLE	FINISH
1187	Set Screw	CP Die Cast

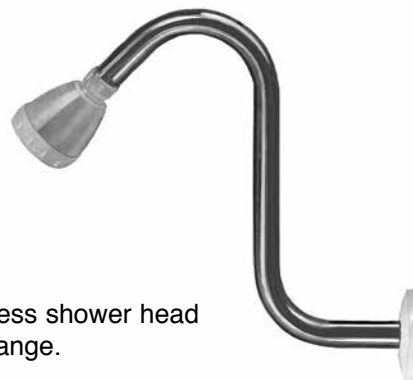
Face Bushings - IPS and CWT (Solder Type)



PART NUMBER	MATERIAL	SIZE
1139	Plastic	3/4" x 1/2" IPS
1141	Brass	3/4" x 1/2" IPS
1146	Brass	1/2" x 3/8" IPS
1317	Brass	1/2" IPS x 1/2" CWT
1318	Brass	3/4" IPS x 3/4" CWT
1319	Brass	1" IPS x 1" CWT

High Rise Shower Arm

- Increases height of any shower head
- Chrome plated brass
- 1/2" IPS



Sold less shower head and flange.

PART NUMBER	HEIGHT
1190	10"
1191	8"

Adjustable Shower Arm

- 1/2" MPT x 1/2" FPT
- 10" Length
- Chrome plated brass



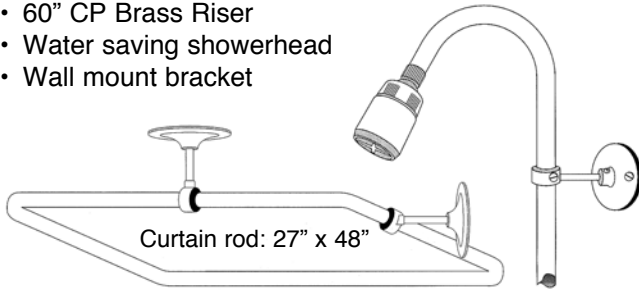
Locking wingnuts allow any height adjustment.

PART NUMBER	DESCRIPTION
1192	Shower arm LESS shower head
1192-RK	Washers and Gaskets



Add-A-Shower: Non-Siphon with Rectangular Shower Rod

- 60" CP Brass Riser
- Water saving showerhead
- Wall mount bracket



- 1" Diameter Polished Aluminum
- 1-36" Ceiling support
- 1-10" Wall support
- Round flanges
- Individually boxed
- Complies with UPC
- Spout rises above rim of tub

PART NUMBER	DESCRIPTION
2827-K	Non-Siphon bathcock 3-3/8" centers supplied complete as shown



Add-A-Shower: Non-Siphon

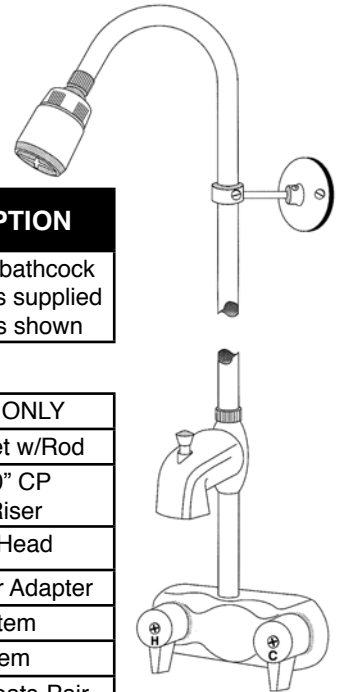
- Complies with UPC
- Spout rises above rim of tub

*Complies with UPC

PART NUMBER	DESCRIPTION
2827*	Non-Siphon bathcock 3-3/8" centers supplied complete as shown

Replacement Parts

2833	Bathcock ONLY
1247	Wall Bracket w/Rod
2836-3	3/8" x 60" CP Brass Riser
1189-RF	Shower Head
1258	Rod-to-Riser Adapter
2837-C	Cold Stem
2837-H	Hot Stem
2838	Bathcock Seats-Pair
2839	Hot & Cold Handle Set



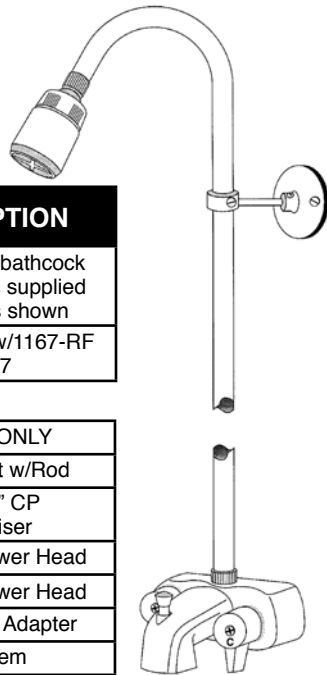
Add-A-Shower: Regular Style

- Chrome plated brass bathcock
- Specifically for 4 leg bathtubs

PART NUMBER	DESCRIPTION
2826	Regular style bathcock 3-3/8" centers supplied complete as shown
28260	Regular style w/1167-RF & 1247

Replacement Parts

2832	Bathcock ONLY
1247	Wall Bracket w/Rod
2836-3	3/8" x 60" CP Brass Riser
1167-RF	1.5 GPM Shower Head
1189-RF	1.5 GPM Shower Head
1258	Rod-to-Riser Adapter
2837-C	Cold Stem
2837-H	Hot Stem
2837	Bathcock Seats-Pair
2839	Hot & Cold Handle Set



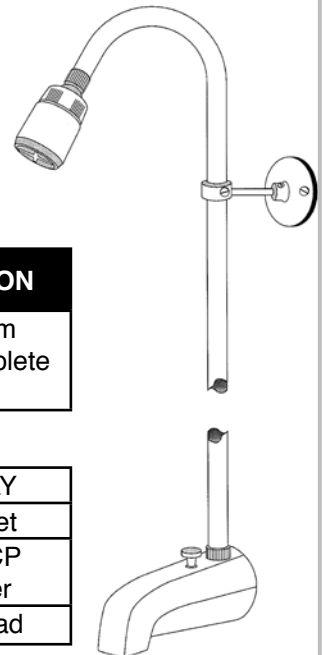
Add-A-Shower: Over the Rim

- Chrome plated die cast spout
- 1/2" IPS

PART NUMBER	DESCRIPTION
2825	Over the rim supplied complete as shown

Replacement Parts

2831	Spout ONLY
1246	Wall Bracket
2836-3	3/8" x 60" CP Brass Riser
1189-RF	Shower Head



Straight Shower Rods

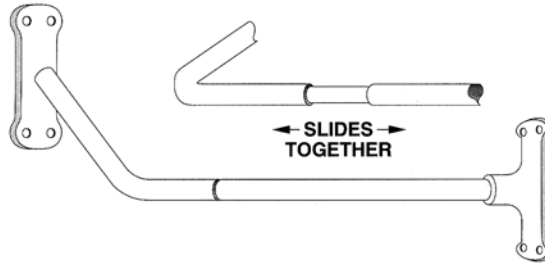
- 1" Diameter



PART NUMBER	ROD LENGTH	DESCRIPTION
1260	60"	Polished Aluminum
1261	72"	LESS Flange

Corner Shower Rods

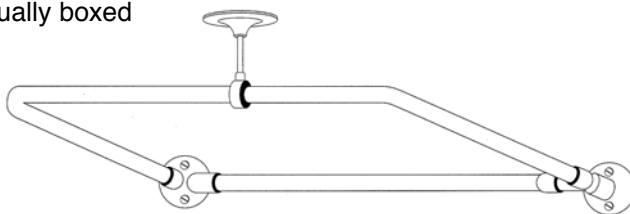
- 1" Diameter
- Jumbo flanges
- Individually boxed



PART NUMBER	ROD LENGTH	DESCRIPTION
1262	60" x 27"	Polished Aluminum
1263	72" x 27"	
1284	60" x 27"	Chrome Plated Brass
1285	72" x 27"	

"D" Style Shower Rods

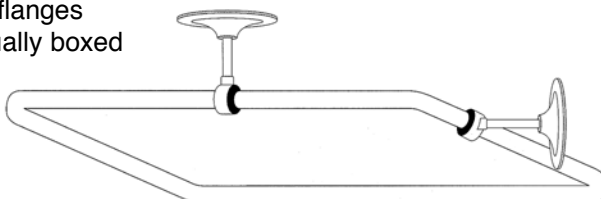
- 1" Diameter
- Round flanges & 36" Ceiling support
- Individually boxed



PART NUMBER	ROD LENGTH	DESCRIPTION
1264	54" x 27"	Polished Aluminum
1265	60" x 27"	
1286	54" x 27"	Chrome Plated Brass
1287	60" x 27"	

Rectangular Shower Rods

- 1" Diameter
- 1-36" Ceiling support
- 1-10" Wall support
- Round flanges
- Individually boxed



PART NUMBER	ROD LENGTH	DESCRIPTION
1271	48" x 27"	Polished Aluminum
1272	54" x 27"	
1289	54" x 27"	Chrome Plated Brass



Add-A-Shower Riser Brackets

1247
Fits 3/8" Riser
#2826

1259
Ceiling Support
Complete

1267
1" Loop
ONLY

1258
Fits 1" Shower Rod Fits 3/8" Riser

1246
Fits 3/8" Riser
#2825

PART NUMBER	DESCRIPTION
1246	Fixed wall brackets for risers
1247	Brackets for risers
1258	Rod to riser coupling
1259	36" Fit-all ceiling support complete
1267	1" Loop ONLY

Flanges

For 1" Shower Rods

1257

1258

1254

1256

1253

PART NUMBER	DESCRIPTION
1253	Adjustable CP plastic
1254	With set screw CP steel
1256	Sure grip CP steel
1257	Jumbo CP die cast
1258	Rod to riser coupling

Quick Valve Plate

Stainless Steel Shower Valve Cover Plate

Old ceramic tile is impossible to match. The Quick Valve Plate covers the unsightly hole left in the tile after the shower valve is replaced.

- Screws & brackets provided
- Polished stainless steel not affected by household cleaners
- 13" long X 7-1/4" wide



Stainless Steel

PART NUMBER	HOLES	HOLE SIZE OR CENTERS
815	1	5"
816	2	8" Centers
817	3	
818	1	3-1/2"
819	1	4-1/2"
820	0	no holes

Polished Brass Finish

815-PB	1	5"
--------	---	----

Overflow Plate - Chrome

With Trip Lever

- Square handle
- Covers 3-1/4" hole
- 2" bolt hole centers



PART NUMBER	W/1148 BOLTS
1157	2

Overflow Plate - Chrome

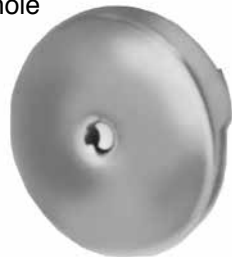
- Covers 3-1/4" hole
- 2" bolt hole centers



PART NUMBER	W/1148 BOLTS
1154	None
1160	2

Overflow Plate - Chrome

- Covers 3-1/4" hole



PART NUMBER	W/1148 BOLTS
1152	None
1159	1

Overflow Plate Bolt - Chrome

For trip lever and overflow face plates



PART NUMBER	SIZE/LENGTH
1147	1/4" x 20 x 2-1/2"
1148	1/4" x 20 x 1-1/2"
1149	1148 - 2 per bag



Bath Tub Waste Shoe & Strainer

- Brass
- 22 Gauge tube
- Price Pfister style



PART NUMBER	DESCRIPTION
1372	1-1/2" Brass Waste Shoe
1373	1-3/8" Brass Waste Shoe
1374	16 Thread Tub Drain Body w/Cross
1374-W	Tub Drain Washer
1376	Stainless Steel Strainer w/Bolt
1380	1-1/2" Brass Waste Shoe - Complete
1381	1-3/8" Brass Waste Shoe - Complete

Disposal Kit - 13" Center to End

- Chrome
- With baffle tee
- 17 gauge with CP brass nuts
- 20 gauge with CP die cast nuts



30 pieces per case

PART NUMBER	LENGTH	GAUGE
34546	1-1/2"	20
34548	1-1/2"	17

Tub Strainer

- Three Prong
- Stainless steel



PART NUMBER	DIAMETER
1343	1-5/8"

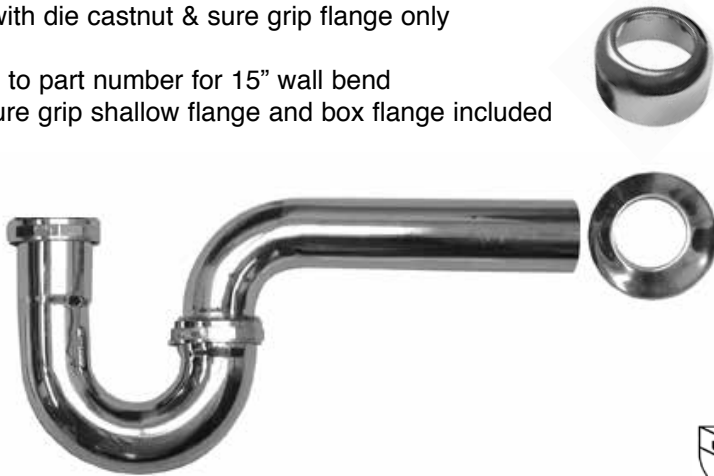
P Traps

All 17 gauge P Traps have **CP brass nuts**.
 All 17 gauge P Traps have **box flange & sure grip flange**.
 All 20 gauge P Traps have **CP die cast nuts**.

Less Cleanout - 8" Wall Bend - Chrome

- Beaded with slip joint washers or ground joint
- **DB-** with die castnut & sure grip flange only

Add 15 to part number for 15" wall bend
 Both sure grip shallow flange and box flange included



30 pieces per case
 *Choked inlet

PART NUMBER	SIZE	GAUGE
*34100	1-1/4"	20
34102	1-1/2" x 1-1/4"	
34104	1-1/2"	
34106	1-1/4"	17
34106DB	1-1/4"	
34108	1-1/2" x 1-1/4"	
34110	1-1/2"	
34110-15	1-1/2" x 15"	

Rough Brass

34105	1-1/2"	20
34107	1-1/2"	17

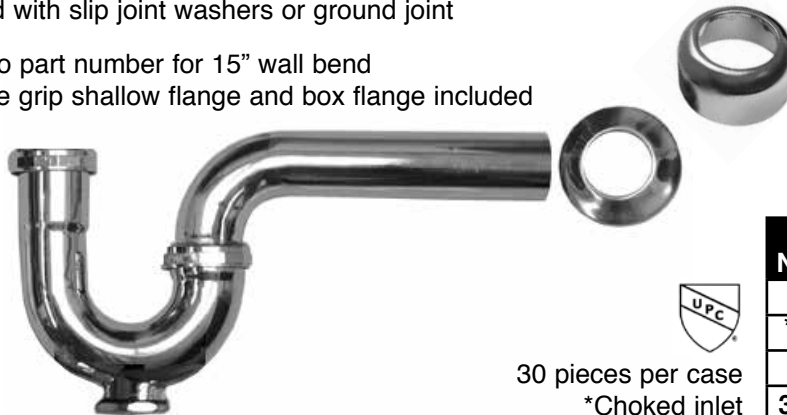
Ground Joint - Chrome

34109	1-1/2" x 1-1/4"	17
34111	1-1/2"	

With Cleanout - 8" Wall Bend - Chrome

- Beaded with slip joint washers or ground joint

Add 15 to part number for 15" wall bend
 Both sure grip shallow flange and box flange included



30 pieces per case
 *Choked inlet

PART NUMBER	SIZE	GAUGE
34122	1-1/4"	17
*34124	1-1/2" x 1-1/4"	
34126	1-1/2"	
34126-15	1-1/2" x 15"	

Wall Bend for P Trap - Chrome



PART NUMBER	SIZE	GAUGE
34130	1-1/2" x 9"	20
34132	1-1/2" x 15"	
34136	1-1/2" x 9"	17
34138	1-1/2" x 15"	



Sink Traps

All 17 gauge Sink Traps have CP Brass nuts. All 20 gauge Sink Traps have CP Die Cast nuts.

Sink Traps with Cast Brass Outlet Elbow - Chrome



PART NUMBER	SIZE	GAUGE	CASE QTY
34172	1-1/4"	20	40
34174	1-1/2"		40
34178	1-1/2"	17	30



IPS cast elbow ONLY

34141	1-1/2" CP outlet elbow ONLY
-------	-----------------------------

J Bends for Sink Traps with Captured Nut - Chrome



50 pieces per case



PART NUMBER	SIZE	GAUGE
34182	1-1/2"	20
34186	1-1/2"	17
34184	1-1/4"	17

J Bends for P Traps - Chrome



Without Cleanout *Reducing Washer

PART NUMBER	SIZE	GAUGE
*34188	1-1/4"	20
*34190	1-1/2"	
34192	1-1/4"	17
34194	1-1/2"	

Low Inlet

34197	1-1/2"	17
-------	--------	----

Choked Inlet

34201	1-1/2" x 1-1/4"	20
34205	1-1/2" x 1-1/4"	17



50 pieces per case
† 30 pieces per case

High Inlet †

34211	1-1/2"	17
-------	--------	----

**Los Angeles Code Sink Trap
Cast Brass Elbow - Ground Joint**

- Brass nuts and 1-1/2" x 1-1/4" reducing washer



50 pieces per case



Complete

PART NUMBER	SIZE	FINISH	GAUGE
34140	1-1/2"	Chrome	17
34142	1-1/2"	Rough	

"J" bend ONLY for LA trap

PART NUMBER	SIZE	FINISH	GAUGE
34137	1-1/2"	Chrome	17
34139	1-1/2"	Rough	

IPS cast elbow ONLY

34141	1-1/2" CP outlet elbow ONLY		
-------	-----------------------------	--	--

S Traps with Flanges - Less Cleanout - Chrome

To receive with deep box flange, add "BF" to part number.

- All 17 gauge traps have CP brass nuts.
- All 20 gauge traps have CP die cast nuts.



Floor Bends Only

PART NUMBER	SIZE	TRAP GAUGE
34152	1-1/4" x 20"	20
34158	1-1/2" x 20"	17

Complete

PART NUMBER	SIZE	TRAP GAUGE
34144	1-1/4" x 20"	20
34146	1-1/2" x 20"	
34150	1-1/2" x 20"	17

Cast Tees with Tailpieces - Nuts & Washers - 1-1/2" Chrome



34314
34315*

34320

34318

34312



50 pieces per case
*Rough Brass

PART NUMBER	SIZE
34312	Direct connect tee w/ highway insert
34314	End outlet tee w/ baffle
34315*	End outlet tee w/ tail piece
34318	Center outlet tee w/ baffle
34320	3 Way slip tee no baffle



Continuous Wastes

All 17 gauge Slip Joint Cast Tee's have CP Brass nuts.
 All 20 gauge Slip Joint Cast Tee's have CP Die Cast nuts.

Continuous Waste - End Outlet, Slip Joint Cast Tee

- With Baffle - Chrome
- *Los Angeles Code Compliant



30 pieces per case



PART NUMBER	SIZE	FINISH	GAUGE
34160	1-1/2" x 16"	Chrome	20
34162	1-1/2" x 21"	Chrome	
34164	1-1/2" x 16"	Rough	17
34167	1-1/2" x 16"	Rough	
34168	1-1/2" x 16"	Chrome	
* 34169	1-1/2" x 16"	Chrome	
34170	1-1/2" x 21"	Chrome	

Continuous Waste - End Outlet, Direct Connect Cast Tee

- With Baffle - Chrome



30 pieces per case



PART NUMBER	SIZE	GAUGE
34286	1-1/2" x 16"	20
34290	1-1/2" x 16"	17
34292	1-1/2" x 21"	

Continuous Waste - Center Outlet, Slip Joint Cast Tee

- With Baffle - Chrome



PART NUMBER	SIZE	GAUGE
34294	1-1/2" x 16"	20
34298	1-1/2" x 16"	17
34300	1-1/2" x 21"	

Continuous Waste - Center Outlet, Direct Connect Cast Tee

- With Baffle - Chrome



PART NUMBER	SIZE	GAUGE
34302	1-1/2" x 16"	20
34306	1-1/2" x 16"	17

Waste Arms

All 17 gauge Waste Arms have CP Brass nuts.
 All 20 gauge Waste Arms have CP Die Cast nuts.

1-1/2" Waste Arms - Slip Joint

• Rough and Chrome



7" 60 pieces per case
 11-1/2" 50 pieces per case
 15" 40 pieces per case
 20" 30 pieces per case
 24" 24 pieces per case

PART NUMBER	SIZE	FINISH	GAUGE
34204	7"	Chrome	20
34206	11-1/2"		
34208	15"		
34210	20"		
34212	24"		
34216	7"	Rough	20
34220	15"		
34222	20"		
34226	7"	Chrome	17
34228	11-1/2"		
34230	15"		
34232	20"		
34234	24"	Rough	17
34238	11-1/2"		
34240	15"		
34244	24"		

1-1/2" Waste Arms - Direct Connect

• Rough and Chrome



7" 60 pieces per case
 11-1/2" 30 pieces per case
 15" 40 pieces per case
 20" 30 pieces per case
 24" 24 pieces per case

PART NUMBER	SIZE	FINISH	GAUGE
34246	7"	Chrome	20
34250	15"		
34252	20"		
34256	7"	Rough	20
34262	20"		
34266	7"	Chrome	17
34270	15"		
34278	11-1/2"	Rough	17



Sink Tailpieces - Flanged One End

- Rough and Chrome



4" 80 pieces per case
 6" 60 pieces per case
 8" 60 pieces per case
 12" 50 pieces per case

PART NUMBER	LENGTH	DIAMETER	FINISH	GAUGE
34326	6"	1-1/4"	Chrome	20
34328	8"			
34330	12"			
34332	4"	1-1/2"	Chrome	20
34334	6"			
34336	8"			
34338	12"			
34344	8"	1-1/2"	Rough	20
34346	12"			
34348	4"	1-1/2"	Chrome	17
34350	6"			
34352	8"			
34354	12"	1-1/2"	Rough	17
34356	4"			
34358	6"			
34360	8"			
34362	12"			

Sink Tailpieces - Double End Flanged

- 1-1/2" - Chrome



12" 50 pieces per case
 16" 40 pieces per case
 * Rough Brass

PART NUMBER	LENGTH	GAUGE
34366	16"	20
* 34367	16"	
34388	16"	17

Sink Tailpieces - Reducing

- 1-1/2" x 1-1/4" - Chrome



60 pieces per case

PART NUMBER	LENGTH	GAUGE
34390	8"	20
34392		17

Extension Tube - Slip Joint

- Double End - Chrome
- With CP die cast nuts
- 40 Pieces per case



40 pieces per case

PART NUMBER	SIZE	GAUGE
34394	1-1/4" x 16"	20
34396	1-1/2" x 16"	

Extensions Tubes - Slip Joint, With Nuts & Washers

- All 17 gauge Slip Joint Extension Tubes have CP brass nuts
- All 20 gauge Slip Joint Extension Tubes have CP die cast nuts



6" 80 pieces per case
 8" 60 pieces per case
 12" 50 pieces per case

PART NUMBER	LENGTH	SIZE	GAUGE	FINISH
34398	6"	1-1/4	20	Chrome
34400	8"			
34402	12"			
34404	6"	1-1/4	17	Chrome
34406	8"			
34408	12"			
34410	6"	1-1/2"	20	Chrome
34412	8"			
34414	12"			
34416	6"	1-1/2"	17	Chrome
34418	8"			
34420	12"			
34422	12"	1-1/2"	17	Rough



Extension Tubes - Threaded Both Ends

- Rough and Chrome



PART NUMBER	LENGTH	DIAMETER	FINISH	GAUGE
34448	6"	1-1/4"	Chrome	20
34450	8"			
34452	12"			
34460	6"	1-1/4"	Chrome	17
34462	8"			
34464	12"			
34468	6"	1-1/2"	Chrome	20
34470	8"			
34472	12"			
34476	8"	1-1/2"	Rough	20
34478	12"			
34480	12"			
34482	12"	1-1/2"	Rough	17



6" 80 pieces per case
 8" 60 pieces per case
 12" 50 pieces per case

Repair Couplings & Ells

- Chrome - With CP die cast nuts

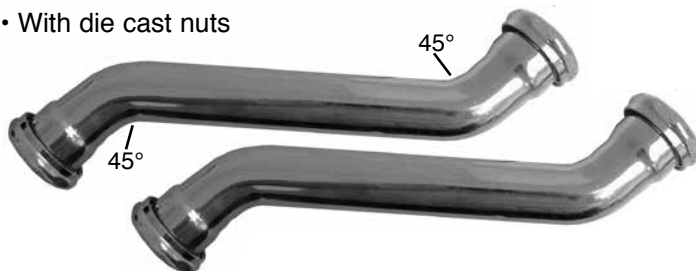


25 pieces per case

PART NUMBER	DESCRIPTION	SIZE
34518	Straight	1-1/4
34520	90°	
34522	45°	
34524	Straight	1-1/2
34526	90°	
34528	45°	

Double Offset 12"

- With die cast nuts



24 pieces per case



PART NUMBER	LENGTH	GAUGE	FINISH
34530	1-1/4"	20	Chrome
34532	1-1/2"		Chrome

Slip Joint Chrome Repair Traps

- Less Cleanout



PART NUMBER	LENGTH	GAUGE
34484	1-1/4"	20
34486	1-1/2"	

Replacement elbow ONLY

34488	1-1/4"	20
34490	1-1/2"	

Slip Joint Elbows

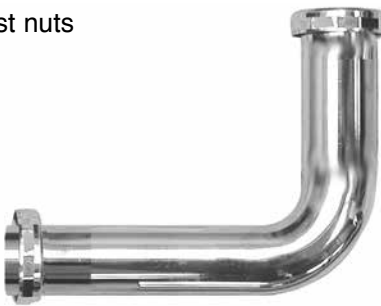
- With CP die cast nuts



PART NUMBER	LENGTH	DIAMETER	GAUGE	FINISH
34496	8"	1-1/4"	20	Chrome

Closet Ells

- With CP die cast nuts



PART NUMBER	SIZE	GAUGE	FINISH
34512	2" x 4" x 6"	20	Chrome
34514	2" x 5" x 7"		
34516	2" x 6" x 8"		
34517 *	2" x 6" x 8"		

* Two-Piece Repair Ell

Branch Tailpieces

- Branch for 5/8" and 7/8" dishwasher drain hose



PART NUMBER	BRANCH OUTLET	SIZE	GAUGE	STYLE	TAILPIECE FINISH
34540	7/8"	1-1/2" X 8"	17	Chrome Plated Brass Nut Captive	Chrome Plated
34541	5/8"				
34542	7/8"	1-1/2" X 8"	20	Chrome Plated Diecast Nut Slip Joint Down	Rough Brass
34543	5/8"				
34544	7/8"	1-1/2" X 8"	20	Chrome Plated Diecast Nut Slip Joint Down	Chrome Plated



Commercial Grid Style Lavatory Drain

Highest Quality

- Stainless steel body change
- 1-1/4" Stainless steel tailpiece
- Brass locknut
- Rubber gasket with overflow



New Style

Individually Boxed
* Most Popular

PART NUMBER	TAILPIECE LENGTH
1175	4"
1176*	6"
1179	12"

Handicap Commercial Grid Style Lavatory Drain

Highest Quality

- Chrome plated brass body
- 1-1/4" stainless steel tailpiece
- Rubber gasket with overflow



Individually Boxed

PART NUMBER	DESCRIPTION
1177-TP	With Tailpiece

Rubber Stopper Lav Drain

- 20 GA CP brass
- 1-1/4" x 6" tailpiece
- Rubber stopper with chain



Individually Boxed

PART NUMBER
1178



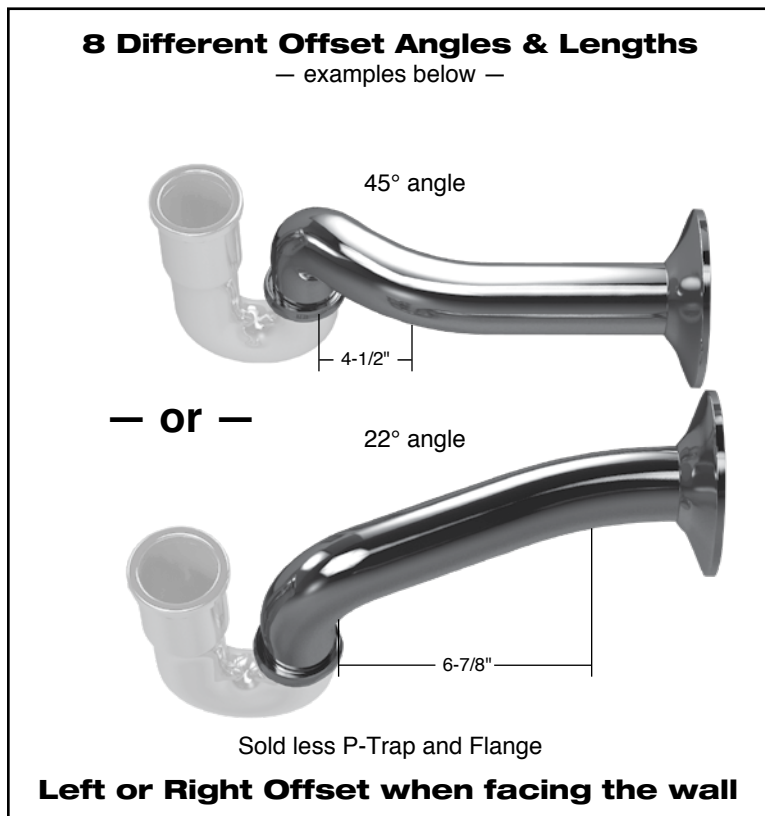
Introducing: The 1 1/2" "Freedom Arm" Offset Chrome Plated Brass Tubular Wall Bend

The **PASCO** "Freedom Arm" by Innovate Products offers the plumber a simple solution to an age-old plumbing remodeling puzzle.

As a plumber replaces an old sink with a new sink, the new configuration of the sink drain opening, trap and wall bend may not align with the existing waste tee in the wall. The common and past practices of breaking into the wall to move the waste tee, or even soldering unsightly pieces of copper together to achieve the proper degree of offset for the wall bend, are now just that... PAST.

The 8 different offset designs of the "Freedom Arm" will, for the most part, eliminate the frustrating and time consuming practices mentioned above. The "Freedom Arm" was designed by a plumber for the plumber.

The eight models of the "Freedom Arm" cover left or right offsets (as the plumber faces the wall), 22 or 45 degrees of offset and either a short or long version of the straight run of the wall bend, which allows for the difference in the distance between sink trap and the wall.



Features:

- 17 Gauge CP Bass
- Supplied with CP Brass SJ Nut and Square Cut Rubber Washer
- Sold without P-Trap and Flange
- Individually Bagged with ID Card Indicating Offset and Degree of Offset
- Professionally Designed for a Professionally Finished Installation

8 Sizes & Offsets
— listed on the following page —



1 1/2" 17 Gauge Left or Right Offset CP Brass Wall Bends

Measurements are from p-trap outlet to wall, when facing the wall.

Left-Short 22° Bend

- 2-1/2" offset
- 4-1/2" front length
- 4" back length

Sold less
P-Trap and
Flange



**PART
NUMBER**
35101

Left-Short 45° Bend

- 3-3/8" offset
- 4-1/2" front length
- 4" back length

Sold less
P-Trap and
Flange



**PART
NUMBER**
35102

Left-Long 22° Bend

- 2-3/4" offset
- 6-3/4" front length
- 2-3/4" back length

Sold less
P-Trap and
Flange



**PART
NUMBER**
35103

Left-Long 45° Bend

- 4-3/4" offset
- 6-7/8" front length
- 2-3/4" back length

Sold less
P-Trap and
Flange



**PART
NUMBER**
35104

Right-Short 22° Bend

- 2-1/2" offset
- 4-1/2" front length
- 4" back length

Sold less
P-Trap and
Flange



**PART
NUMBER**
35105

Right-Short 45° Bend

- 3-3/8" offset
- 4-1/2" front length
- 4" back length

Sold less
P-Trap and
Flange



**PART
NUMBER**
35106

Right-Long 22° Bend

- 2-3/4" offset
- 6-3/4" front length
- 2-3/4" back length

Sold less
P-Trap and
Flange



**PART
NUMBER**
35107

Right-Long 45° Bend

- 4-3/4" offset
- 6-7/8" front length
- 2-3/4" back length

Sold less
P-Trap and
Flange



**PART
NUMBER**
35108

Sure Grip Flanges (or Shallow Flanges)

• Box Quantities Only - 50 per box



Chrome
Plated
Steel White
Plastic

PART NUMBER	PART NUMBER	IPS	CWT	OUTSIDE DIAMETER
1224	1217	1-1/2" Tubular		3"
1225	1211	3/8"	—	2-1/2"
1226	1212	1/2"	—	2-1/2"
1227	1213	3/4"	—	2-1/2"
1228	1214	1-1/2"	—	3"
1229	1215	2"	—	3-1/4"
1230	1209	—	1/2"	2-1/2"
1231	1210	—	3/4"	2-1/2"
1232	—	1-1/4"	1-1/2"	3"
1233	—	1"	—	2-3/4"
1240	—	—	2"	3-1/2"
1241	—	—	1"	2-3/4"
1244	1216	1-1/4" Tubular		3"

Stainless Steel

1226-SS	1/2"	—	2-1/2"
1227-SS	3/4"	—	2-1/2"
1228-SS	1-1/2"	—	3-1/2"
1230-SS	—	1/2"	2-1/2"

Extra Wide Sure Grip Flanges (or Shallow Flanges)

Chrome Plated Steel

• Box Quantities Only - 50 per box



PART NUMBER	IPS	TUBULAR	OUTSIDE DIAMETER
1238	1-1/2"	—	3-1/2"
1239	2"	—	3-1/2"
1240	—	2"	3-1/2"

Sure Grip Box Flanges

• Chrome Plated OR
Stainless Steel
• Box Quantities Only - 50 per box



Chrome Plated Steel

PART NUMBER	IPS	TUBULAR	OUTSIDE DIAMETER
1234	1-1/4"	—	3"
1235	1-1/2"	—	3"
1236	—	1-1/4"	3"
1237	—	1-1/2"	3"

SPECIFY SUFFIX "SS" FOR STAINLESS STEEL



Sure Grip Bell Flanges (or Deep Flanges)

Chrome Plated Steel

- Box Quantities Only - 25 per box



PART NUMBER	IPS	CWT	TUBULAR	OUTSIDE DIAMETER
2841	3/8"	—	—	2-1/2"
2842	1/2"	—	—	2-1/2"
2844	1-1/4"	—	—	3"
2845	—	1/2"	—	2-1/2"
2846	1-1/2"	—	—	3"
2853	—	—	1-1/4"	3"
2854	—	—	1-1/2"	3"

Sure Grip Floor and Ceiling Plate

Chrome Plated Steel

- Light pattern - no springs



PART NUMBER	IPS	CWT	OUTSIDE DIAMETER
2810	3/8"	—	3"
2811	1/2"	—	2-3/4"
2812	3/4"	—	2-3/4"
2813	1"	—	3-1/2"
2814	1-1/4"	1-1/2"	3-1/2"
2815	1-1/2"	—	3-1/2"
2816	2"	—	4-1/2"
2820	—	3/8"	2-3/4"
2821	—	1/2"	3"
2822	—	3/4"	2-3/4"
2823	—	1"	2-3/4"
2824	—	1-1/4"	3-1/2"

Plastic Floor and Ceiling Plate - Chrome Plated or White

- Simply bend and place around pipe.
- Chrome or white finish 100% Rustproof
- Non-corrosive
- Non-breakable

SPECIFY SUFFIX "W" FOR WHITE



PART NUMBER	IPS	CWT	OUTSIDE DIAMETER
2856	1/2"	—	2-3/4"
2857	3/4"	—	3"
2858	1"	—	3-1/4"
2859	1-1/4"	—	3-1/2"
2860	1-1/2"	—	4-1/4"
2861	2"	—	5-1/4"
2863	3"	—	5-3/4"
2864	4"	—	6-3/4"
2868	8"	—	12-3/4"
2873	—	1/2"	2-1/2"
2874	—	3/4"	2-3/4"
2875	—	1"	3"
2876	—	1-1/4"	3-1/4"
2877	—	1-1/2"	3-1/2"
2878	—	2"	4-1/2"

Floor and Ceiling Plate

Heavy Pattern With Springs - Hinged

- Chrome plated steel



PART NUMBER	IPS	CWT	OUTSIDE DIAMETER
2880	3/8"	—	2-1/4"
2881	1/2"	—	2-1/2"
2882	3/4"	—	2-3/4"
2883	1"	—	3-1/4"
2884	1-1/4"	—	3-1/2"
2885	1-1/2"	—	3-7/8"
2886	2"	—	4-1/2"
2888	—	1/2"	2-1/4"
2889	2-1/2"	—	5-3/8"
2890	3"	—	5-7/8"
2891	—	3/4"	2-1/2"
2892	4"	—	7-1/8"
2893	—	1"	2-7/8"
2894	—	1-1/4"	3-1/4"
2895	—	2"	4"
2896	—	1-1/2"	3.5"
9860	5"	—	9"
9861	6"	—	9-3/4"
9862	8"	—	13"



**Plastic
Dryer Vent Hood**

With 4" Aluminum Duct Pipe and Wall Flange

- Weather resistant
- Paintable
- Wide outlet



**PART
NUMBER**
1718-W

**Plastic
Louvere Dryer Vent Hood**

With 4" Aluminum Duct Pipe and Wall Flange

- Weather resistant
- Paintable
- Narrow profile
- Prevents drafts



**PART
NUMBER**
1721-W

Vent Hood Kit

With Above Hood #1718-W

- 1- 4" x 5 ft. Vinyl or Aluminum Dryer Duct
- 2- #1724 Clamps
- 1- #1718-W Vent Hood

PART NUMBER	DESCRIPTION
1697	Aluminum
1718-HK	Vinyl

Vinyl or Aluminum Dryer Duct



PART NUMBER	MATERIAL	SIZE
1687	Aluminum	4" x 5 ft.
1688		4" x 8 ft.
1689		4" x 25 ft.
1720	Vinyl	4" x 20 ft.

Dryer Duct Clamp

Stainless Steel



PART NUMBER	SIZE
1723	4"

Anchor Sets

Phillips hex head screws allow a nutdriver, nut setter or screwdriver to be used.

EACH SET CONTAINS:

- 100 Anchors
- 100 Phillips hex head screws
- Carbide tipped masonry drill (optional)
- Transparent, reusable box
- Flat head wood screws



PART NUMBER	DRILL INCLUDED	SCREW SIZE	ANCHOR SIZES	STYLE
1598	3/16"	1" x #6	4 - 6	Collar
1600	1/4"	1" x #10	8 - 10	

Toggle Bolts

- 50 per box



PART NUMBER	SIZE
1484	1/4" x 3"
1485	1/4" x 4"

Flat Head Woodscrews

- "P" indicates phillips head
- 100 per box



PART NUMBER	SIZE	LENGTH	MATERIAL
1503	#12	1-1/2"	Brass
1505		2"	Brass
1531	#14	1-1/2"	Brass

Setting Tool

- Plated steel



PART NUMBER	SIZE
1552	3/8" or 1/2"



Stove Bolts

- Round head with hex nuts
- 100 bolts and nuts per box



PART NUMBER	SIZE
1640	1/4" x 3/4"
1641	1/4" x 1"
1642	1/4" x 1-1/4"

Drop In Concrete Anchors

- 100 per box
- Complies ICBO # 3631 RR# 24682



PART NUMBER	SIZE
1558	3/8"

Sheet Metal Screws

- Hex slotted
- 1/4" Hex head
- Plated
- 100 per box



PART NUMBER	SIZE	LENGTH
*1831-100	#7	1/2"
1817	#8	1/2"
1819		3/4"
1821		1"

*#1831 Hex slotted self-drilling type

Drive Screws

- 100 per box



PART NUMBER	SIZE
1555	2" x #16

Self-Drilling Screws

- 100 per box
- Self-drilling point
- 1/4" hex head



PART NUMBER	SIZE
1830	1/2" x #8

Hex Screw and Nut Setter

- Use with 1/4" drill to drive hex sheet metal and anchor screws.
- Magnetic socket
- Heat treated
- 1/4" Drill shank



PART NUMBER	SIZE	BODY DIAMETER
1594	1/4"	7/16"
1595	5/16"	1/2"

Steel Eye Sockets

Offset

- Plated
- 3/8" N.S.T.
- 100 per box



Offset
2-5/8" Length

PART NUMBER	SIZE
1557	Offset

Self-Nailing Protection

- 100 per box



PART NUMBER	SIZE	GAUGE
1628	2" x 5	20
1630		16



Pipe Straps

- Self-drilling point
- 1/4" hex head



See price page for quantity pack

*with nails



Galvanized

PART NUMBER	IPS SIZE	PACK QTY
1614	1/2"	100
1615	3/4"	100
1616	1"	100
1617	1-1/4"	50
1618	1-1/2"	50
1619	2"	50
1620	2-1/2"	25
1621	3"	20
1622	4"	10

Copper

1623*	1/2"	100
1624*	3/4"	100
1625*	1"	100



Sillcock Key

Die Cast



PART NUMBER	SIZE
1700	5/16"

Heater Furnace Loglighter Keys

Die Cast



PART NUMBER	SIZE	LENGTH
1705	5/16"	2-1/4"
1706	1/4"	10"
1707	5/16"	10"

4-Way Key

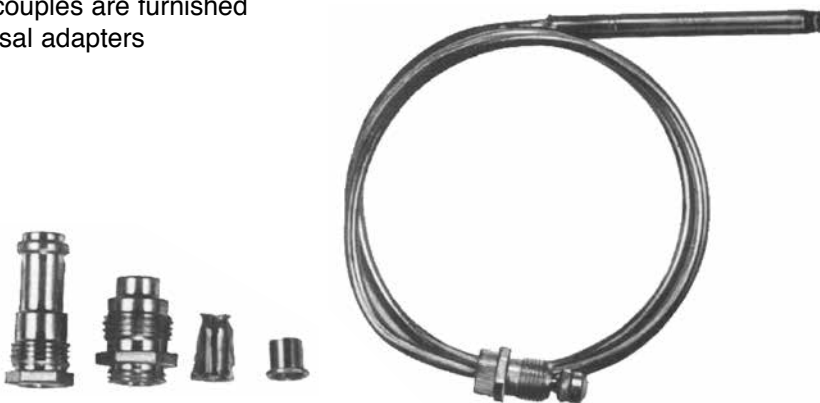
- Fits stopcocks, sillcocks and valves
- Sizes are 1/4" to 9/32" and 5/16" to 11/32"
- Die Cast
- Key chain loop



PART NUMBER
1701

Copper Thermocouples

All thermocouples are furnished with universal adapters



PART NUMBER	LENGTH
9500	18"
9501	24"
9502	30"
9503	36"
9504	48"

Ice Maker Hook-Up Kits

For use on refrigerators with automatic icemakers. Also used on humidifiers.



Polypropylene Tubing

KIT CONTAINS

- 1. 1/4" x 25' Poly tubing
- 1. Self-piercing needle valve
- 1. 1/4" Compression union
- 2. 1/4" Brass insert sleeves
- 2. 1/4" Delrin Sleeves

Compliant 

AB 1953

Polypropylene Tubing

PART NUMBER	SIZE
2045	Hook-Up Kit
2056-25	25' Poly Tubing ONLY



Copper Tubing

KIT CONTAINS

- 1. 1/4" x 25' Copper Tubing
- 1. Self piercing needle valve
- 1. 1/4" Compression union
- 1. 1/4" Compression male
- 1. 1/4" 90° Compression elbow

Copper Tubing

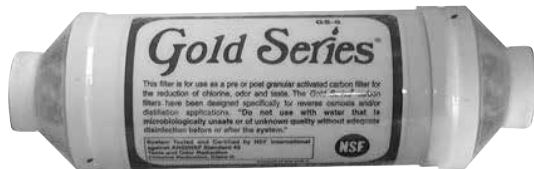
PART NUMBER	SIZE
2049	Copper Hook-Up Kit ONLY
2059-25	25' Copper Tubing ONLY

Granulated Carbon Filter

Filters contain granulated carbon for taste and odor removal from municipal drinking water.

SPECIFICATIONS:

- Container - Polypropylene
- Media- Activated Carbon
- Filter/Screen - Polyester Felt
- Micron Size - 20
- Flow Rate - 1 GPM @ 60 PSI
- Life Span - 3-6 months
- Effective Filterings - 2000 gal.
- Temp Rating - 120° F
- Pressure Rating - 125 PSI



PART NUMBER	SIZE
2060	Use 1/4" Compression Fittings
2060-38	Use 3/8" Compression Fittings

Self-Piercing Needle Valve

For 1/4" To 1" Copper Tube

KIT CONTAINS:

- 1. Needle valve
- 1. Saddle clamp
- 2. Nuts
- 2. Bolts



Compliant 

AB 1953

PART NUMBER
2162

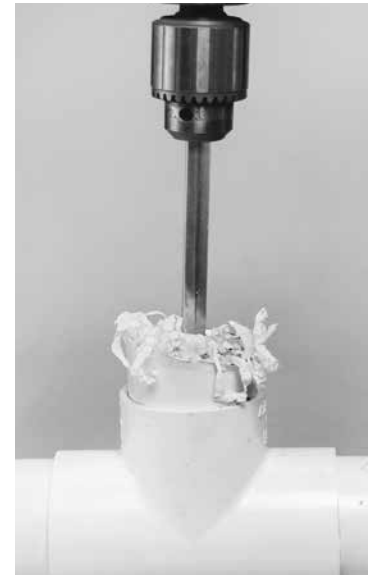


The Original

RAM BIT

Plastic Fitting Saver

Works on PVC or ABS Fittings



Makes in-line repairs and installations.
Reams plastic pipe squarely and accurately below the surface or finished grade.
Ram Bit leaves fittings clean and ready for solvent welding.

SAVES

- Plastic Fittings
- Welded Ball Valves

SAVES TIME

- Cuts 3" & 4" DWV flush, below slab or sub-floor
- Repairing irrigation and swimming pool manifolds
- Repairing sprinkler risers
- Repairing freeze damaged plastic pipe





RAMBIT

Works On:
ABS DWV, PVC DWV,
PVC PRESSURE, CPVC,
RIDGID PVC ELECTRIC CONDUIT



PART NUMBER	SIZE	CLASS 200*	SCH 40	SCH 80	DRILL SIZE
3237	1/2"		✓	✓	3/8" or heavy duty 3/8" rechargeable
3239	3/4"	✓	✓	✓	
3241	1"	✓	✓	✓	
3242	1-1/4"	✓	✓	✓	
3243	1-1/2"	✓	✓	✓	
3244	2"	✓	✓	✓	1/2" variable
3253	3"	✓	✓		
3254	4"		✓		



The Drain Key™

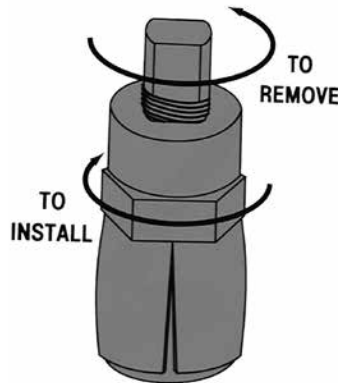
Removes Corroded Bath Tub Drains

It's unique expanding design allows The Drain Key to internally grip in a 360° pattern. The drain Key's steel shoes will not mar chrome or special finishes. Installs and removes tub drains, closet spuds and pipe nipples.

Expands with a crescent wrench to unlock or install:

- Bathtub drains
- 1-1/4" or 1-1/2" Trap (dirty arm) nipples
- 1-1/4" or 1-1/2" closet spuds
- Jr. basket strainers, Jr. duo strainers, tray plug drains and duplex strainers

*Interchangeable steel Drain Key™ shoes sold separately



PART NUMBER	VOLTS
4500	Drain Key

Smart Dumbbell - The Original

The Original and Still The Best!

Fits all 17 modern tub drain configurations

Installs and removes tub drains and closet spuds



- Installs or removes drains without crossbars (Kohler, American Standard)
- Heavy duty die-cast aluminum
- Prevents scratching of decorative finishes
- Either a crescent wrench or large phillips screwdriver can be used to turn the tool
- Saves time, money and aggravation
- 6" length



PART NUMBER
4554



Quick Nutcracker

Quickly removes corroded 1/2" zinc locknuts from faucet shanks.

- Heat treated cutter blades
- Ball thrust bearings
- Durable black oxide finish
- Will work on faucet shanks with only three threads showing

For use on:

- 1/2" Shank single basin faucet
- 1/2" Shank centerset faucet
- 1/2" Shank kitchen faucets



U.S. Patent 4,365,413

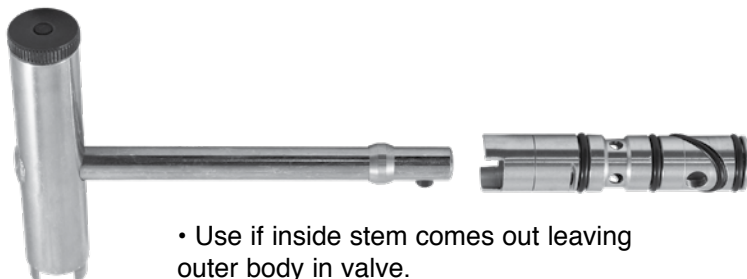
PART NUMBER	VOLTS
7000	Nutcracker ONLY
7010	Nutcracker Ratchet & Extension

Moen® Stem and Cartridge Puller - The Original - 2-in-1 Tool

Removes Moen® stems and Moen® cartridges from faucets and shower valves. Also removes the Posi-Temp® tub/shower cartridge.

- Removes brass cartridges
- Removes outer body of stems
- Removes plastic stems & cartridges
- Precision made
- High quality steel components
- One piece construction
- Easy to use

• Pulls cartridge complete



• Use if inside stem comes out leaving outer body in valve.

PART NUMBER
7040



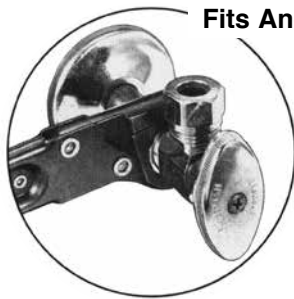
KWIK TITE WRENCH

Get a grip on the installation of angle stops with these two plumber designed tools.

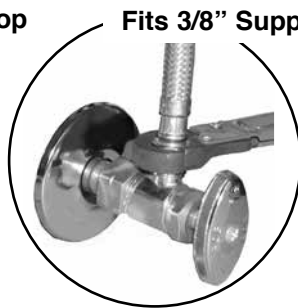
The larger forged steel socket “opens” to attach to an angle stop.
 The smaller forged steel socket “opens” to attach to a 3/8” outlet supply nut.



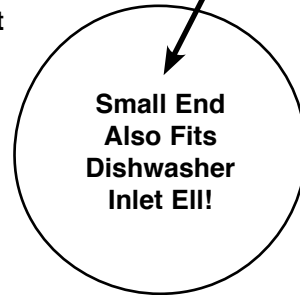
#4524 9” Length



Fits Angle Stop



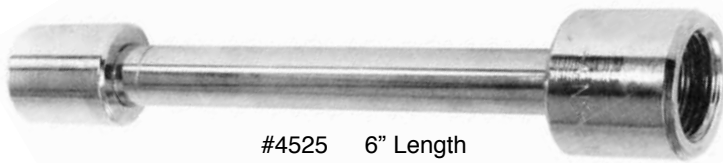
Fits 3/8” Supply Nut



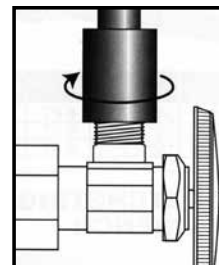
Small End
 Also Fits
 Dishwasher
 Inlet EII!

Don't forget to use with the ANGLE-ON WRENCH

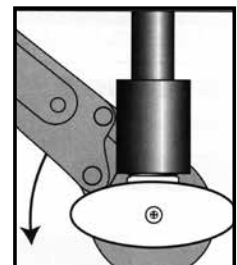
- Fits 3/8” or 1/2” MPT compression outlet threads on angle stops.
- Help protect special finishes. Nickel plated steel and precision machined.



#4525 6” Length



Remove outlet nut and screw on Angle-On



Angle-On acts as a lever for tightening compression angle stops.

PART NUMBER	DESCRIPTION
4524	Dual Kwik Tite Wrench ONLY
4525	Angle-On Wrench ONLY
4528	Dual Kwik Tite Wrench & Angle-On Wrench packaged together



Compression Sleeve Puller

Heavy duty - For 1/2" copper tubing

- Fully machined body and screw
- Designed by plumbing professionals
- Use 3/4" socket

All New Design!

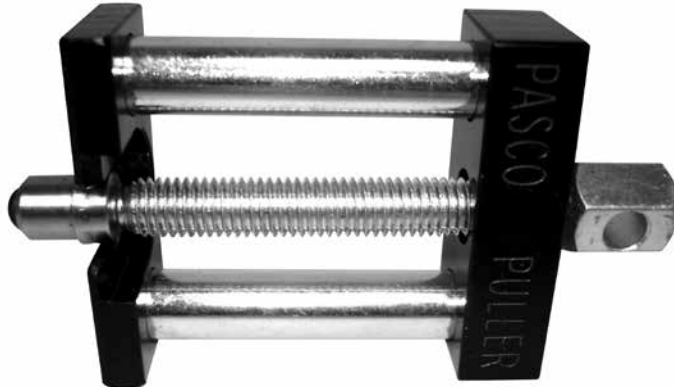


PART NUMBER
4661

Compression Sleeve Puller

Heavy duty - For 1/2" copper tubing

- Use 3/8" ratchet with 3/4" socket
- Removes compressed brass sleeves
- Precision machined
- Extremely durable
- Designed by plumbing professionals



PART NUMBER
4665

Compression Sleeve Puller Bullet Nose

Heavy duty - For 1/2" copper tubing

- Sleeve puller and handle sold separately
- Includes screw



Re-designed bullet nose will not pull off

PART NUMBER
4664



Big Yank - The Original

- Removes large and small handles
- Economical yet tough
- One piece forged drive bracket
- 4" bracket width
- 5" gripper fingers

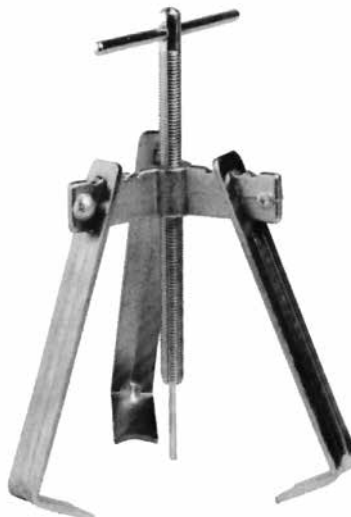


**PART
NUMBER**
4659

Big Yank Sr.™ - The Original

The only handle puller that grips faucet handles with 3 fingers!

- One piece forged drive bracket
- Notches in bracket keeps fingers from sliding apart
- Engineered for the professional
- 5" gripper fingers



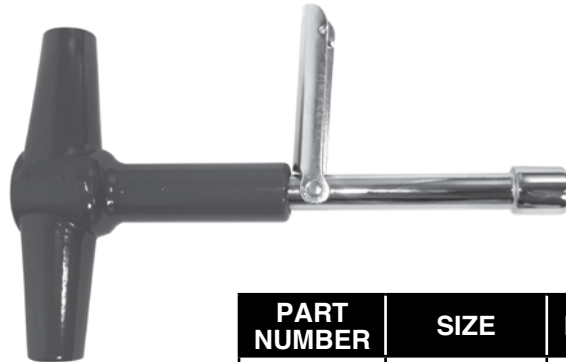
**PART
NUMBER**
4668



No-Hub Torque Wrench 60 Inch Pounds

- Measures torque when turned in a clockwise direction & ratchets when turned counterclockwise
- Retractable reversing lever
- Chrome vanadium socket
- Tested to tighten up to 10,000 no-hub couplings*
- 5/16" socket

*Test results available



- Used with PASCO couplings in Section "D"



PART NUMBER	SIZE	LENGTH
7020	5/16"	6"

No-Hub Heavy Duty Torque Wrench 60 Inch Pounds

- Measures torque when turned in a clockwise direction & ratchets when turned counterclockwise
- When torque value has been reached, the tool will skip to prevent over tightening
- Chrome vanadium socket
- Locking collar
- 5/16" socket

New!



- Used with PASCO couplings in Section "D"

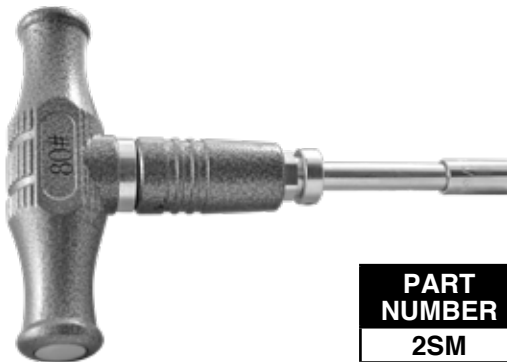


PART NUMBER	Size
2SH	5/16"

No-Hub Heavy Duty Torque Wrench 80 Inch Pounds

- Measures torque when turned in a clockwise direction & ratchets when turned counterclockwise
- When torque value has been reached, the tool will skip to prevent over tightening
- Chrome vanadium socket
- Locking collar

New!



- Used with PASCO Heavy Duty Couplings in Section "D"



PART NUMBER	Size
2SM	5/16"
8AH	3/8"

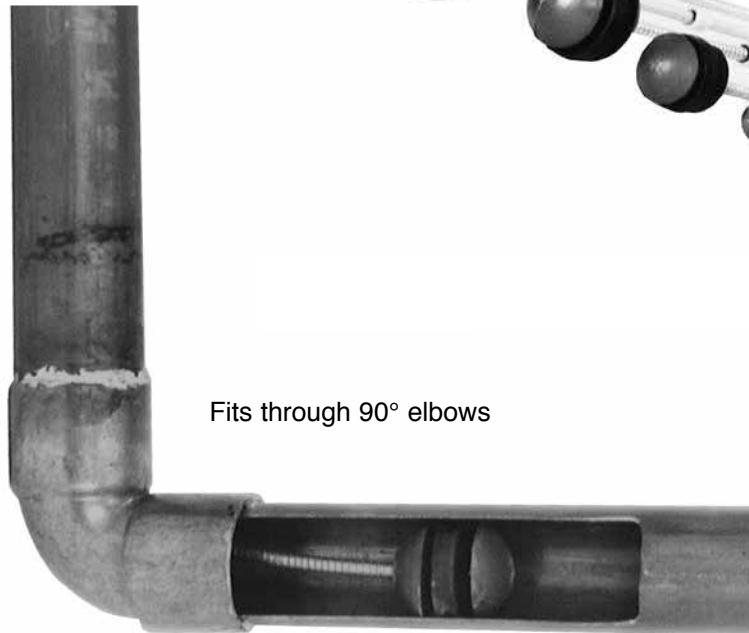


Quick Sweat

**Plumber
Designed!**

Patent Number 5,819,804

- Flexible 24" steel cables will slide through elbows and are interchangeable with the handle to fit different size copper.
- Durable polypropylene handle will fit 1/2" thru 2" cables.
- Long lasting elastomeric plug
- Eliminates "bread" and outperforms all the rest.



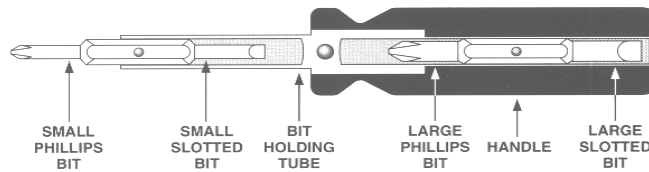
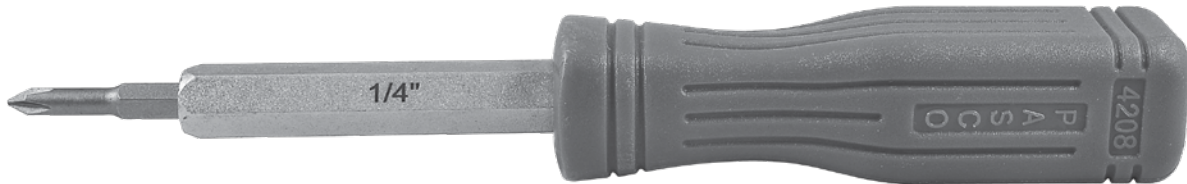
Fits through 90° elbows

PART NUMBER	SIZE
51500	Tool including: Handle & 1-each 1/2", 3/4", 1" cables
51050	1/2" Complete tool
51075	3/4" Complete tool
51100	1" Complete tool
51125	1-1/4" Complete tool
51150	1-1/2" Complete tool
51200	2" Complete tool
51040	Handle ONLY
51012	1/2" Cable ONLY
51034	3/4" Cable ONLY
51010	1" Cable ONLY
51114	1-1/4" Cable ONLY
51115	1-1/2" Cable ONLY
51120	2" Cable ONLY



6-in-1 Screwdriver

- 1/4" Hex - 5/16" Hex
- 12 Pack display when ordering a quantity of 12 or more.



PART NUMBER	DESCRIPTION
4208	6-in-1 screwdriver 12 pack
4208-C	Carded screwdriver



Quick Set Pliers

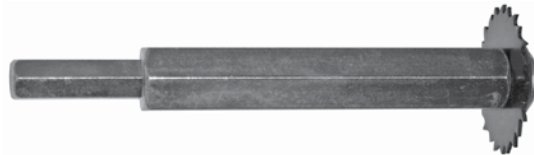
- Easily fit 1-1/2" slip joint nuts
- Forged and chromed
- Vinyl grip handles



PART NUMBER	LENGTH
4063	10"

Inside Plastic Pipe Cutter

- Fits 3/8" and larger drills



PART NUMBER	DESCRIPTION
3290	Pipe Cutter
3290-B	2 Blades per pack

Utility Knife

- Retractable



PART NUMBER	DESC.	# PER PACK
4323	Knife w/ 2 extra blades	1
4325	Extra Blades	5

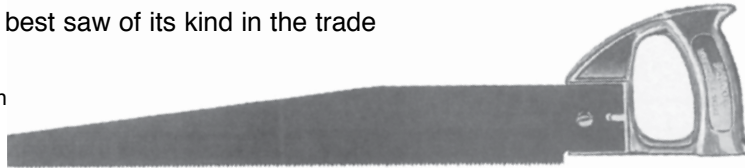


Journeyman Plastic Pipe Saws - The Original

- Cuts PVC, ABS, wood and drywall
- Unbreakable aluminum die cast handle
- Large, comfortable grip
- Flame hardened blade
- The best saw of its kind in the trade

Since 1973

Handle
Made in
U.S.A.



PART NUMBER	DESCRIPTION
4331	Complete "Mity Mite" Saw
4331-B	13" "Mity Mite" Blade
4333	Complete "Journeyman" Saw
4333-B	18" "Journeyman" Blade
4333-H	"Journeyman" Saw Handle

Tiny Tim Hacksaw - The Original

- Cuts steel & brass
- Vinyl grip handle
- Display carded
- Blades sold in reusable tube

Since 1946



PART NUMBER	DESCRIPTION
4290	Hacksaw w/Blade
4292	Extra Blades 10/package

Pull Plastic Pipe Saw

- Cuts plastic pipe
- Smooth, fast and accurate cutting
- Pull cutting action



PART NUMBER	DESCRIPTION
4338	Saw w/12" Blade
4338-B	12" Blade
4339	Saw w/8" Blade
4339-B	8" Blade

Hacksaw

- High quality plated steel saw with 1/2" x 6" or 1/2" x 12" tempered blade.
- Five times stronger than standard mini hacksaws



PART NUMBER	DESCRIPTION
4695	6" Heavy Duty Maximum Hacksaw
4695B	6" Blades Only
4696	12" Heavy Duty Maximum Hacksaw
4696B	12" Blades Only

Super Hacksaw

- Comfort front end grip
- Stores extra blades
- Cuts flush to surface



PART NUMBER	SIZE	BLADE SUPPLIED
4267	4"	12"

Hacksaw Blades

Bi-Metal Tough Cut Blades



PART NUMBER	TEETH PER INCH	BLADE LENGTH
4217	18	12"
4218	24	12"



“Pro-Cut” Plastic Pipe Cutters

- Superior quality, heavy duty
- Coated handles
- Built for constant use
- Stainless steel blade

Plumbers Favorite



*1” Plastic Pipe Cutter



*2” plastic pipe cutter

PART NUMBER	DESCRIPTION
4658	1” Pipe Cutter Complete
4658-B	Blade ONLY
4654	2” Pipe Cutter Complete
4654-B	Blade ONLY

PVC Pipe Cutter

- Cuts up to 1” PVC Pipe - all schedules!
- Cuts up to 1” CPVC

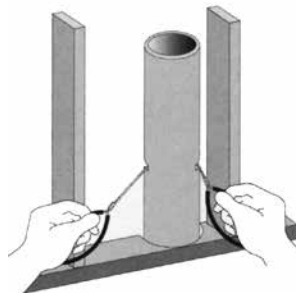


PART NUMBER	DESCRIPTION
4654-S	Replacement Springs
4657	Complete
4657-B	Blade ONLY
4657-S	Replacement Springs
4658-S	Replacement Springs

Cable Saw

For fast cutting of PVC and irrigation pipe

- 24” Stainless steel cable
- Great for tight spots, need only 1/4” clearance
- Easily stored
- 30” Overall



PART NUMBER	DESCRIPTION
4336-S	Strip pack of 10



Soft Pipe Cutter

- For cutting soft pipe and hose
- Heavy duty die cast
- Cuts up to 2” soft tubing
- Reversible Blade



The best cutter manufactured!

PART NUMBER	DESCRIPTION
4682	Complete
4682-B	Blade ONLY



Bi-Metal Tough Cut Reciprocating Saw Blades



PART NUMBER	LENGTH	TEETH PER INCH	CUTS THESE MATERIALS
3809	6"	10T	Light, Non-ferrous metals, nail embedded woods, cast aluminum.
3810	6"	14T	Heavy gauge metals, 1/8" conduit, pipe, tubing and galvanized pipe.
3811	6"	18T	Metals to 1/8". Conduit, pipe, tubing and galvanized pipe.
3812	6"	24T	Finer teeth for faster cutting of metal to 1/8", galvanized pipe.



PART NUMBER	LENGTH	TEETH PER INCH	CUTS THESE MATERIALS
3820	9"	10/14T	.050 Thick x 3/4" Wide super model for cast iron pipe. Teeth vary alternately from 10 to 14 per inch which reduces vibration and makes smoother cuts.



PART NUMBER	LENGTH	TEETH PER INCH	CUTS THESE MATERIALS
3813	6"	6T	Fast cutting of all woods, nail embedded general roughing work.
3816	12"	6T	Same as #3813 above



PART NUMBER	LENGTH	TEETH PER INCH	CUTS THESE MATERIALS
3814	8"	10T	All woods, composition, plastics, 4" diameter pipe, cast iron, nail embedded woods, general metal cutting, fiberglass.

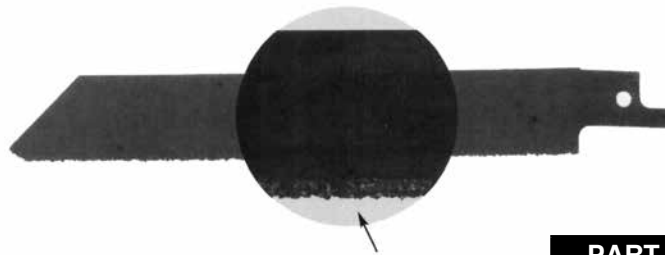


PART NUMBER	LENGTH	TEETH PER INCH	CUTS THESE MATERIALS
3808	6"	6T	Plastic, lath, sheet rock, fiber board, particle board.



Reciprocating Saw Blade - Carbide Grit

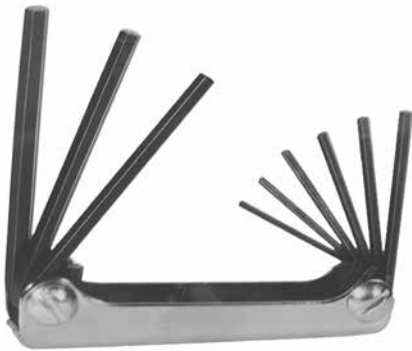
- 3/4" Width
- Fits most reciprocating saws
- Flexible alloy steel
- Diamond hard tungsten carbide grit makes this blade last up to 20 times longer than conventional reciprocating blades



PART NUMBER	SIZE	SIZE
3835	6"	Medium
3845	8"	Medium

Hex Key Tool Caddy

- Keys are #8650 chrome nickle alloy steel
- Close tolerance assures precise fit into hex socket
- Hardened and tempered for maximum durability



PART NUMBER	NO. OF KEYS	KEY SIZES
3040	9 Keys	5/64", 3/32", 7/64", 1/8", 9/64", 5/32", 3/16", 7/32", 1/4"
3041	8 Keys	.050", 1/16", 5/64", 3/32", 7/64", 1/8", 9/64", 5/32"



Hex Key Tool Caddy



PART NUMBER	KEY SIZES
4575	.28", .035", .050", 1/16", 5/64", 3/32", 7/64", 1/8", 9/64", 5/32", 3/16", 7/32", 1/4", 5/16", 3/8"





Copper, Brass & Stainless Steel Tubing Cutter

- Superior quality
- Enclosed feed mechanism
- Removable deburring tool located inside cutter frame
- Cuts up to 1-1/2"
- Spare blade in handle

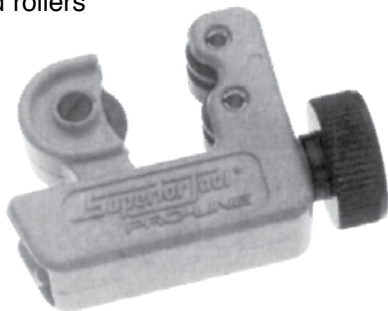


*Replacement blade

PART NUMBER	DESCRIPTION
37610	Cuts up to 1-1/2"
37610-B	Replacement Blade

Mini Tubing Cutter

- Cuts up to 1" copper
- Grooved rollers

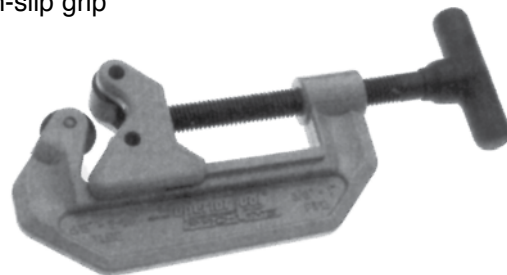


PART NUMBER	DESCRIPTION
35180	Cuts 1/8" - 1-1/8" Tubing
42835	Separate Cutter Wheel



Tubing and Pipe Cutter

- Cuts 1" IPS or 2" Copper
- Strong, yet lightweight
- Non-slip grip



PART NUMBER	DESCRIPTION
36878	Cuts 5/8 - 2-1/8" IPS or 2" CWT
42348	Separate Cutter Wheel



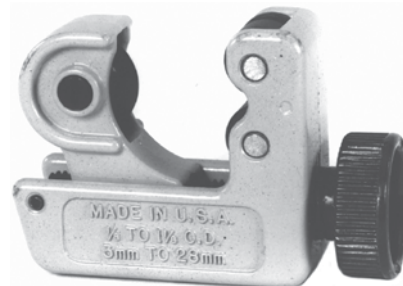
Economy Tubing Cutter

- Grooved roller
- Retractable reamer



PART NUMBER	DESCRIPTION
4350	Cuts 1/8" to 1-1/8" Tubing
4349	Blades

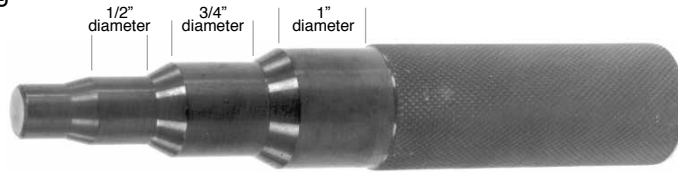
Mini Tubing Cutter



PART NUMBER	DESCRIPTION
4351	Cuts 1/8" to 7/8" Tubing

Swedging Tool

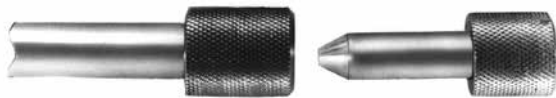
- For "M" Copper tubing



PART NUMBER	SIZE
4330	1/2" - 3/4" - 1"

Copper Sizing Tools

- Impact type to re-round copper tubing
- For "M" Copper tubing



PART NUMBER	SIZE
4343	1/2"
4344	3/4"
4345	1"

Copper Tube Flare Punches

- Soft copper tubing



PART NUMBER	SIZE
4367	3/4"
4368	1"

Economy Flaring Tool

- For O.D. sizes:
- 3/16", 1/4", 5/16", 3/8", 1/2", 5/8"
- Makes smooth flare



PART NUMBER
4360

Spark Lighters

- Round, Single, or Triple Flint
- Large hood traps more gas
- File rotates providing a fresh surface for the flint
- Flints good for 1,500 ignitions



4430



4437
Triple flint

PART NUMBER	DESCRIPTION	PKG.
4430	Lighter	10
4432	Extra Flints	5
4437	Shurlite Lighter	1
4438	Extra Flints	1






Chip and Oil Brush



PART NUMBER	SIZE
4647	1"
4649	2"


Natural Bristle Acid Brushes

- #1, #2, #4 Brushes sold 144 pieces per box
- #7 Brushes sold 36 pieces per box




PART NUMBER	SIZE	HANDLE MATERIAL
46501	#1	Metal
46512	#2	Metal
46524	#4	Metal
46537	#7	Wood

Wire Brushes




PART NUMBER	SIZE	HANDLE
4480	3 Rows of 19 Tufts	Long
4482	4 Rows of 17 Tufts	Short




Copper Deburring Tool - Reamer

- Die Cast
- Deburrs up to 1-1/4" copper or CPVC




PART NUMBER	SIZE
4356	1/2" - 1-1/4"

Copper Pipe Deburring Tools with Plastic Handles



Pen Style with Pocket Clip



*Sold with 4 extra blades stored in the handle

PART NUMBER	STYLE
5103	Pen Style
5104	*Tool w/ 4 Blades
5105	*5 Blades per Pack



Strap Wrenches

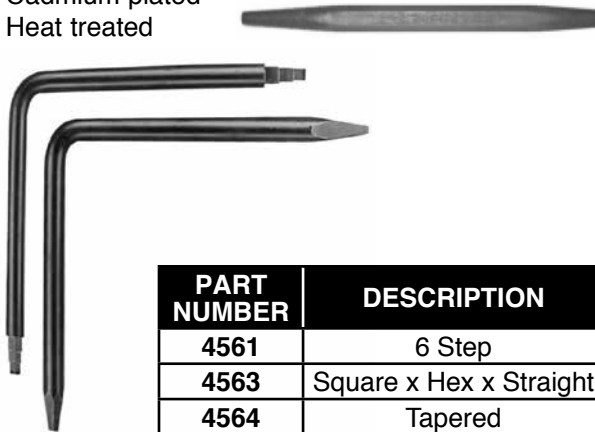
- Ideal for chrome pipe nipples
- Will not mar chrome, fittings & nipples



PART NUMBER	SIZE
4542	7"
4543	11"

Bibb Seat Tools

- For all faucet seats
- Cadmium plated
- Heat treated



PART NUMBER	DESCRIPTION
4561	6 Step
4563	Square x Hex x Straight
4564	Tapered

Professional Faucet Reseater Kit

KIT INCLUDES:

- 4- Harden steel cutters for various size faucets
- 1- Guide cone
- 4- Faucet washers
- 1- Solid brass screw
- 1- Long shaft for tub & showers



PART NUMBER
4565

Bibb Seat Tool Set

SET INCLUDES:

- 1- 3/8" x 7/16" ratcheting box wrench
- 1- Small hex/large hex tapered bibb seat tool
- 1- Small square/large square no taper bibb seat tool



Packed in a sturdy, sealable plastic case.

PART NUMBER
4568

"The Best" Bibb Seat Tool

- Left hand threads - sure grip



PART NUMBER
4566

Sillcock Key

- Die Cast



PART NUMBER	SIZE
1700	5/16"

Heater Furnace Loglighter Keys

- Die Cast



PART NUMBER	SIZE	LENGTH
1705	5/16"	2-1/4"
1706	1/4"	10"
1707	5/16"	10"

4-Way Key

- Fits stopcocks, sillcocks and valves
- Sizes are 1/4" to 9/32" and 5/16" to 11/32"
- Die Cast
- Key chain loop



PART NUMBER
1701

Hex Screw and Nut Setter

- Use with 1/4" drill to drive hex sheet metal and anchor screws.
- Magnetic socket
- Heat treated
- 1/4" Drill shank



PART NUMBER	SIZE	BODY DIAMETER
1594	1/4"	7/16"
1595	5/16"	1/2"

Setting Tool

- Plated steel



PART NUMBER	SIZE
1552	3/8" or 1/2"



Valve Stem Lube Heat Proof Grease

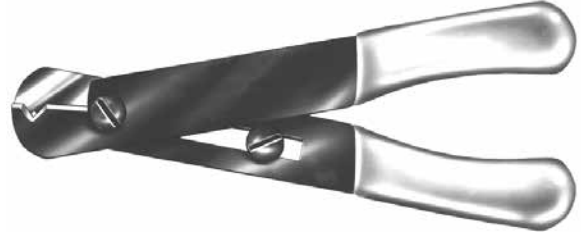
- Use on water or steam
- Apply to stems of faucets, packing, plungers, ball cocks, valves & washers
- Food grade



PART NUMBER
3155

Wire Stripper

- Adjusting stop on the gripping handles permits adjustment for wire size
- Vinyl grip handles



PART NUMBER
4107

Nut Driver



PART NUMBER	SIZE
4129	5/16"

"Drop In" Half Barrel Type Caulking Gun



PART NUMBER
5100

Cellulose Sponges

- Excellent for drying and cleaning up
- For cleaning up tanks, lavatories, shower liners and leaking traps
- Yellow color



PART NUMBER	SIZES
5184	6" x 4-1/4" x 1-11/16"
5185	7-1/2" x 4-1/2" x 2-1/16"



Copper Fitting Brushes

- Economy
- Wire loop handle
- 2-Ply carbon steel bristles
- For bulk pricing add - BLK to part number
- “A” Quality
- 2 Wire model
- High carbon crimped
- Steel bristles
- “AA” Quality
- 4 Wire model
- Double construction from stainless steel wire



PART NUMBER	SIZE
5139	1/2"
5141	3/4"
5143	1"
5144	1-1/4"
5145	1-1/2"
5146	2"



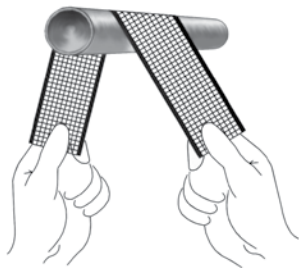
PART NUMBER	SIZE
5113	3/8"
5114	1/2"
5116	3/4"
5118	1"
5119	1-1/4"
5120	1-1/2"
5121	2"



PART NUMBER	SIZE
5126	1/2"
5128	3/4"
5130	1"
5131	1-1/4"
5132	1-1/2"
5133	2"

Plumbers Open Mesh Sand Cloth

- Waterproof
- 180 Grit
- Aluminum oxide



7.5 Yards
New More Convenient Size



PART NUMBER	SIZE
3108	7.5 Yards

4-in-1 Fitting Brush

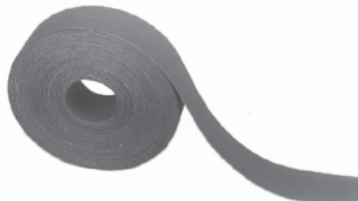
- Tube cleaning and fitting brush
- High impact plastic & high carbon steel bristles
- Replaceable brushes
- 1/2" and 3/4" copper



PART NUMBER	DESCRIPTION
5150	Complete 4-in-1 Brush
5150-R	Replacement brush kit includes 2 ID & 2 OD brushes

Plumbers Sand Cloth

Specially formulated for use in preparing copper fittings and tubing for soldering 120 grit aluminum oxide.



PART NUMBER	SIZE
3102	10 Yards

Copper Tube Brush

- The finest manufactured
- Cleans copper water tube end for soldering



Sizes indicated are nominal copper

PART NUMBER	SIZE
5153	1/2"
5155	3/4"





Nipple Boxes

- Holds CL thru 6" nipples
- Fold away handle
- Epoxy coated steel
- Light weight yet strong

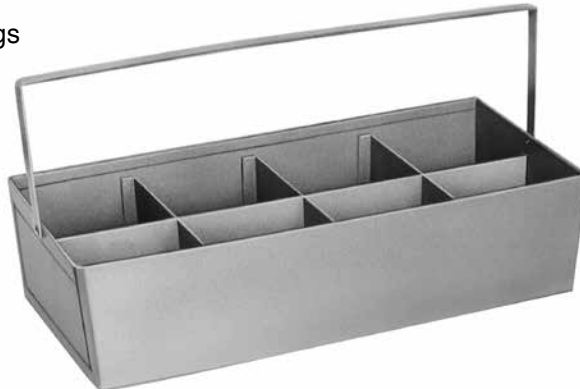


PART NUMBER	SIZE	HOLDS
3080	1/2"	77
3081	3/4"	66
3082	1"	50
3083 *	1-1/4"	40
3084	1-1/2"	30
3085	2"	27



Fitting Tote Tray

- Excellent for copper fittings
- 18 Gauge
- 20" x 10" x 5"
- Fold away handle
- Epoxy coated steel



PART NUMBER	DESCRIPTION
3088	With 8 dividers
3088-LD	No dividers



1/2" and 3/4" Combo Nipple Box

- Holds both 1/2" and 3/4" nipples
- Holds (39) 1/2" CL thru 6"
- Holds (33) 3/4" CL thru 6"
- Fold away handle
- Epoxy coated steel



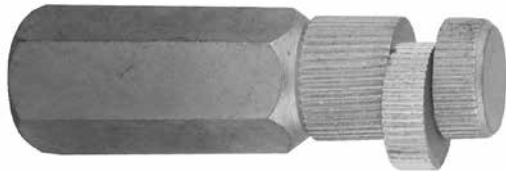
PART NUMBER
3091





Internal Nipple Wrench

- CAM Type
- Removes or inserts
- Heat treated
- Cadmium plated



PART NUMBER	NIPPLE SIZE
4531	1/2"
4532	3/4"
4533	1"

Thread & Nipple Key

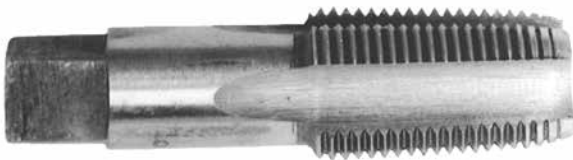
- Unlocks any thread or nipple
- Excellent for chrome work
- Precision machined and hardened
- Loosens and tightens
- Designed to grip internally
- Removes broken nipple threads from fittings



PART NUMBER	SIZES
4511	1/2" IPS Internal Wrench
4512	3/4" IPS Internal Wrench
4513	1" IPS Internal Wrench

Pipe Taps

- High carbon steel
- Tapered thread taps



PART NUMBER	PIPE SIZE	NO. OF NPT	TAP DRILL SIZE
4812	1/8"	27	1/8"
4813	1/4"	18	7/16"
4814	3/8"	18	37/64"
4815	1/2"	14	45/64"
4816	3/4"	14	59/64"
4817	1"	11-1/2	1-5/32"
4818	1-1/4"	11-1/2	1-1/2"
4819	1-1/2"	11-1/2	1-47/64"
4820	2"	11-1/2	2-7/32"

Nipple and Screw Extractors

- Removes nipples, bolts and screws
- Left hand spiral tapered flute removes broken piece without thread damage



PART NUMBER	IND ID#	PIPE SIZE	DRILL SIZE	BOLT SCREW SIZE
4827	4	1/8"	1/4"	9/32" to 3/8"
4828	5	1/4"	19/64"	3/8" to 5/8"
4829	6	3/8"	13/32"	5/8" to 7/8"
4830	7	1/2"	17/32"	7/8" to 1-1/8"
4831	8	3/4"	13/16"	1-1/8" to 1-3/8"
4832	9	1"	1-1/16"	1-3/8" to 2"



Price Pfister® Special Shower Valve Socket Wrench

Fits both bonnet and packing nuts on Price-Pfister® Shower Valve Stems.

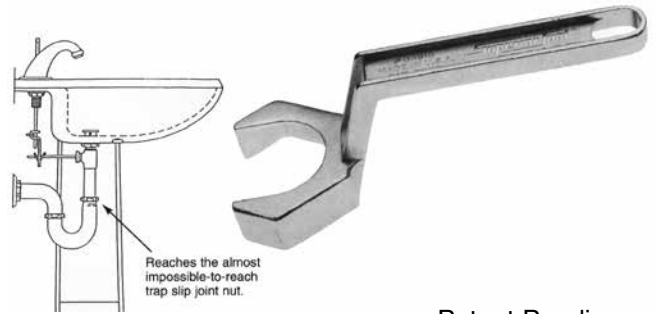
- Fits 31/32" stem bonnet nuts
- Fits 27/32" stem packing nuts
- 50% longer than regular shower valve wrenches
- Overall length allows socket to reach well into tile covered walls



PART NUMBER
5310

Pedestal Sink Wrench

- Offset design allows user to reach tailpiece and trap slip joint nuts
- Permits trap and drain line installation or removal with pedestal sink in place.



Patent Pending



PART NUMBER	SIZE
43914	1-1/4"
43915	1-1/2"

Shower Valve Socket Set - Professional Quality

- Heavy duty
- Each socket is 20% longer than the import
- High quality steel



PART NUMBER	DESCRIPTION
5300XH	Complete Set

Import Shower Valve Socket Set

- High quality steel

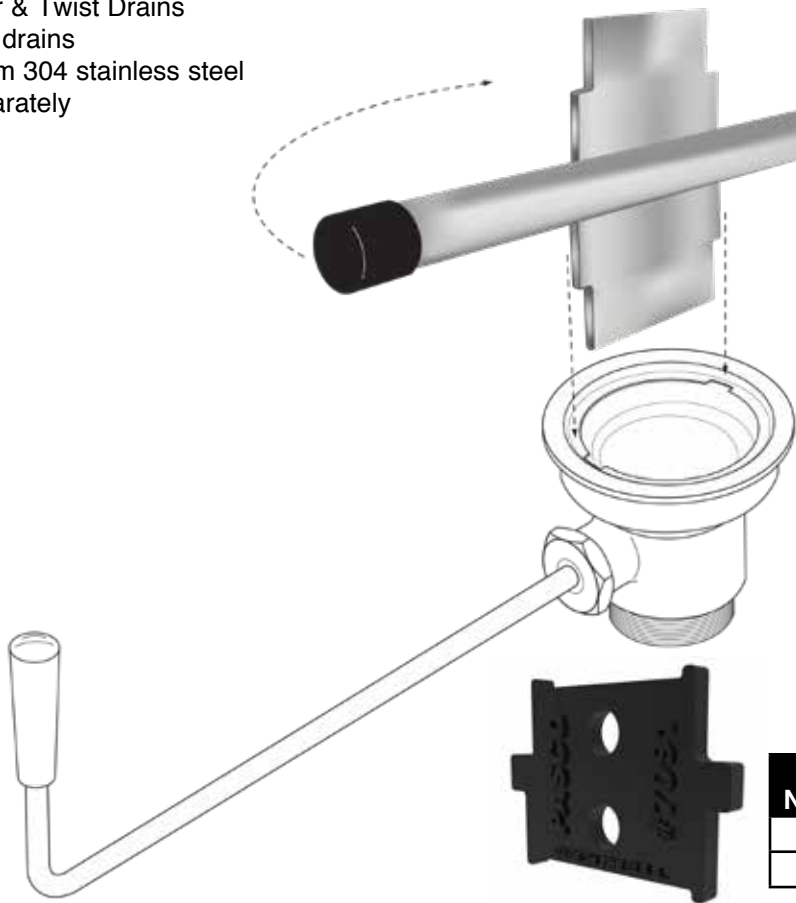


PART NUMBER	DESCRIPTION
5300	Complete Set

Commercial Sink Drain Tool

- Removes Lever & Twist Drains
- Fits 3" & 3-1/2" drains
- Constructed from 304 stainless steel
- Drain Sold Separately

New!



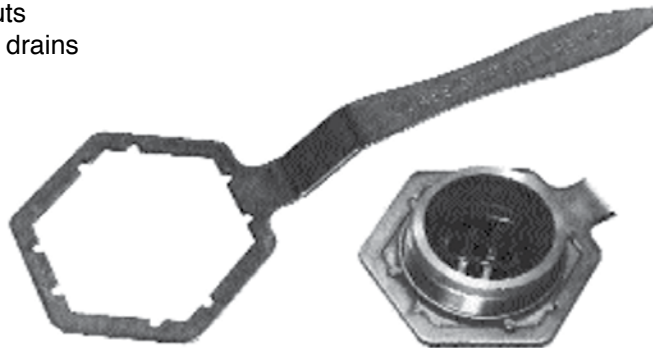
PART NUMBER	Description
7093	Stainless Steel
7091	Black Plastic



Classic Drain Wrench

Tightens most fiberglass shower stall drain locknuts and die cast basket strainer locknuts.

- Fits 3-1/2" plastic locknuts
- Fits 3-3/8" die cast basket strainer locknuts
- Fits brass locknuts on brass shower stall drains
- Stamped steel
- 13" overall length
- Offset handle for close quarter work
- Cushion grip



PART NUMBER
7095





Basin Wrenches



- For use on basin nuts, ballcocks & flush valves
- Cadmium plated
- Jaw has springs
- Swivel head operates right or left

Regular Basin Wrench

PART NUMBER	DESCRIPTION	SIZE	EXTENDS
4574	Regular Basin Wrench	11"	Does not Extend
*4590	Regular Basin Wrench	15"	Does not Extend
4573	Telescoping Basin Wrench	0"	9" to 16"
*4573-L	Telescoping Basin Wrench	0"	9" to 16"



- Extends from 9" to 16"
- Swivel jaw with spring
- Extra large jaw on
- 4573-L fits single lever faucet locknuts
- *Large jaw fits up to 2" locknuts

Telescoping Basin Wrench

Plumbers Combo Wrench

This all new wrench combines the features of 4 similar wrenches, including the Super Wrench. Designed for use on:

- Closet spuds
- Urinal spuds
- Kitchen basket strainers
- Urinal flush valves
- Compact 10" length



PART NUMBER
4556

Quick Set Drain Wrench

- Tightens or removes shower drains with internal locknut, (like our #7980)
- 10" overall length
- Plastic coated handle



PART NUMBER
7099



Closet Seat Nut Wrench

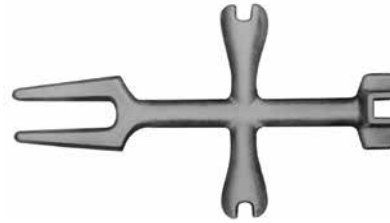
- Fits any length bolt
- Fits 99% of closet seat nuts
- Die cast



PART NUMBER
4557

PO Plug Wrench

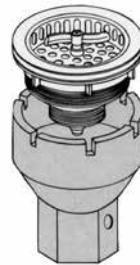
- Removes PO plugs and tub drains



PART NUMBER
4555

4-in-1 Strainer Wrench

- Fits 3-3/8" strainer locknut
- 5-1/2" length
- Super tough Lexan plastic
- Slotted inserts that conveniently fit the standard slotted sink basket strainer locknuts



Tool ONLY
PART NUMBER
4948



Adjustable Spud Wrench

- 10" Length
- 1" to 3" Capacity
- For slip nuts, locknuts and strainer nuts

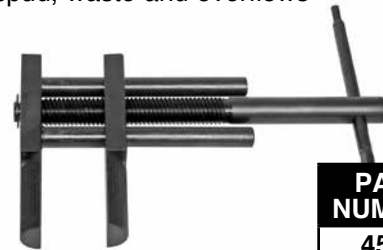


PART NUMBER
4571

Internal Spud Wrench

New Design!

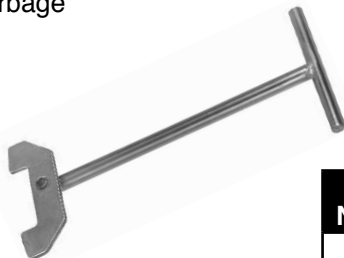
- A must to install or remove urinal and closet spud, waste and overflows
- 4" capacity
- Cushioned grip
- High quality



PART NUMBER
4562

Garbage Disposal Wrench

- For releasing jammed garbage disposers
- 1/2" Steel
- 10" Length



PART NUMBER
4943

Basket Strainer Wrench

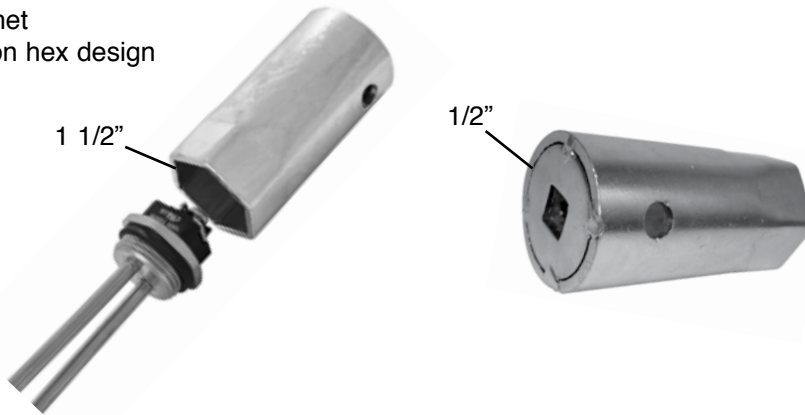
- Zinc plated steel
- Handle slides



PART NUMBER
4949

New Design Heavy-Duty Water Heater Element Wrench

- 1 1/2" socket size
- Now use 1/2" ratchet
- Use pipe wrench on hex design



PART NUMBER
4946

Radiator Air Vent Wrench 3-Way



PART NUMBER
4947

Radiator Spud Wrench



PART NUMBER
4558

Sprinkler Nipple Extractor

- For plastic risers
- Not for Brass
- Irrigation



PART NUMBER
4498

Putty Knives

- High carbon cutlery steel
- Highly polished



PART NUMBER	BLADE
4116	Flexible
4117	Stiff



Professional Wear-A-Day Disposable Gloves

- Blue, powder-free latex
- Plumber grade
- Sold by the box
- 50 per box
- 15 mil latex



PART NUMBER
952L
952XL
952XXL

Glove Dispenser



PART NUMBER	DESCRIPTION
952-D*	Glove dispenser
952-DL	Large gloves w/dispenser
952-DXL	Extra large gloves w/dispenser

Disposable Gloves - Black

- Powder-free nitrile
- Sold by the box



PART NUMBER
950L
950XL

Atlas® Nitrile Tough 370 Gloves - Black/Grey

Long cuff & dark grey coating

- Grips
- Won't slip when wet
- Durable
- Resists solvent cement

New!



PART NUMBER
370M
370L
370XL

Atlas® Nitrile 380 - Blue/Black

Waffle Pattern Palm

- Lint free nylon liner
- Compressed air-infused foam nitrile coating
- Waffle pattern provides good grip in wet conditions
- Heavy duty

New!



PART NUMBER
380M
380L
380XL

Atlas® Fit 300 - Blue

The original palm coated glove!

- Natural rubber coating
- Breathable back
- Seamless knit liner
- Outstanding grip
- Ergonomic fit

New!



PART NUMBER
300M
300L
300XL



Jersey Gloves

Cold weather favorite!

- Knit wrist in seal brown
- 9 oz. fabric
- Cotton blend

New!



PART NUMBER	SIZE
403	Large

Cotton Gloves

- 8 oz. cotton glove
- Knit wrist
- Large size only



PART NUMBER
641

Stallion Gloves

Best selling work glove in the industry

- Split leather palm glove
- Clute cut with 100% cotton fabric back
- Large size only



PART NUMBER
1290

Double Palm Gloves

- Wears especially well in uses such as handling a drain cleaning cable
- Large size only

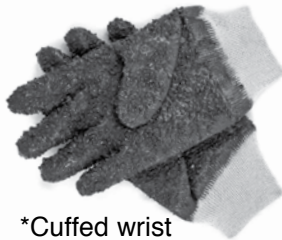


PART NUMBER
5231-DP

Drain Snake Glove

Preferred by Plumbers

- PVC/NBR blend coating with PVC chips for non slip
- Chemical Resistant



*Cuffed wrist



*Mid-forearm length

PART NUMBER	DESCRIPTION	PACK QTY
GL4100	Cuffed Wrist	1
GL4112	Mid-forearm length	1

Reversible Plastic Dot Gloves

- 8 oz. cotton glove
- Knit wrist
- Use twice
- Large size only



PART NUMBER
5500

Caulking Tools

- For lead & oakum



PART NUMBER	DESCRIPTION
4442	5/8" x 7" Inside caulker
4443	5/8" x 7" Outside caulker
4444	5/8" x 7" Straight caulker
4446	1-1/2" Curved broad caulker
4447	5/8" x 12" Offset yarning iron

Plumbers Lead Pot



PART NUMBER	SIZE	VOLUME IN WEIGHT
4592	6"	30 lbs.

Lead Ladle



PART NUMBER	SIZE
4586	4"

Cut Length Oakum Oiled or White

- Convenient, labor saving cut lengths
- Non-splitting
- Contains no tar
- Made to pack well, caulks tight
- Treated with a special compound to expand when wet



Oil Treated

PART NUMBER	DESCRIPTION
2899	1 bag 27" strands = 1 LBS
2897	1 box 27" strands = 5 LBS

White - No Oil

PART NUMBER	DESCRIPTION
28100	1 bag 27" strands = 1 LBS



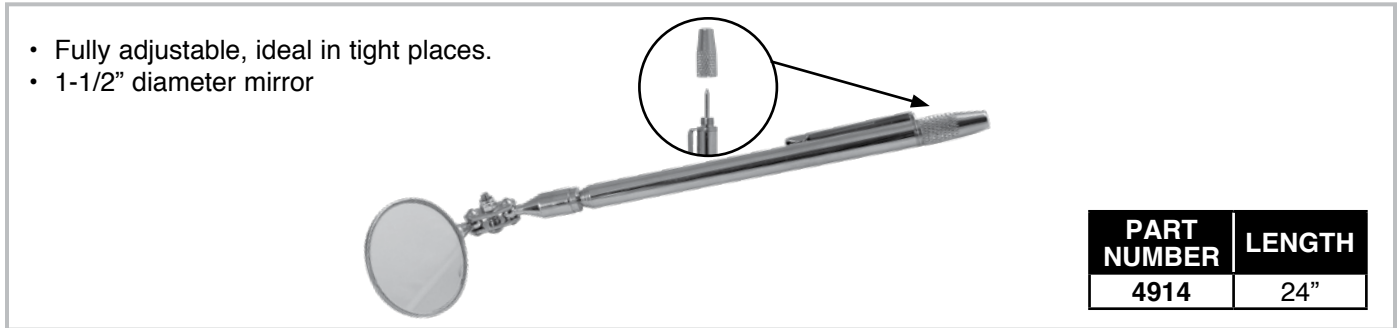
“Grab All” Retrieving Tool



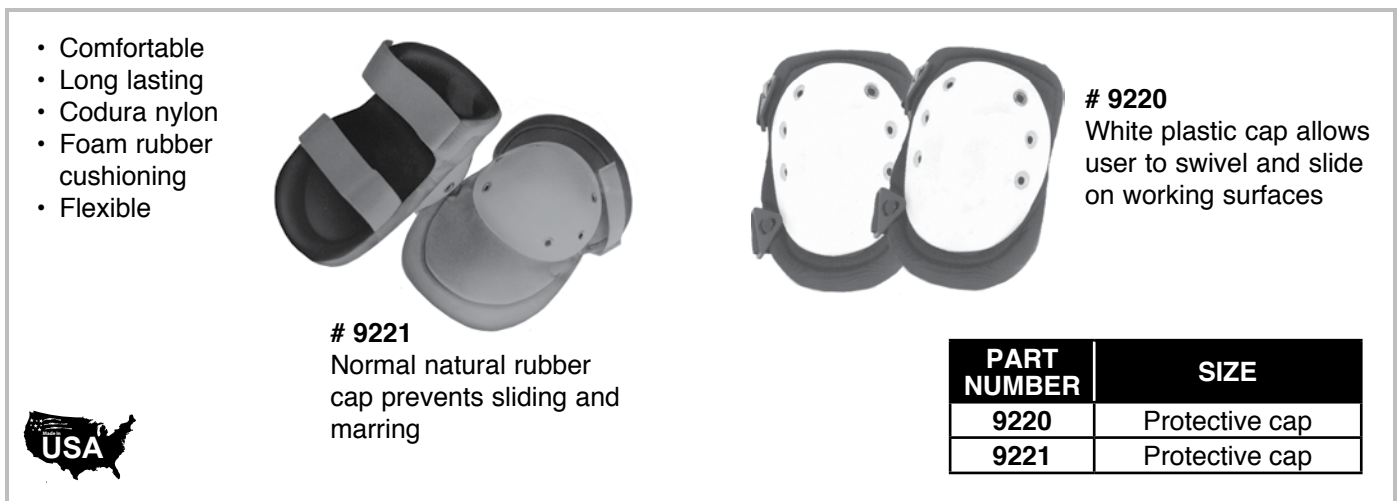
Magnetic Retrieving Tool



Inspection Mirror



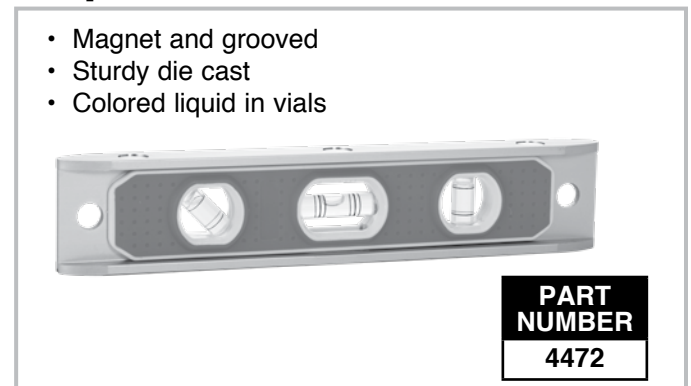
Protective Knee Pads



Disposable Shoe Covers



Torpedo Level





Professional Auger Bag

- Durable design - Easy to wash out
- Air holes to help dry
- Keeps water + waste from dripping on the floor while exiting jobs
- Inside pockets designed to help carry essential items
- One closed end for easy storage
- Holds two augers



PART NUMBER	DESCRIPTION
PS-BAG	Auger Bag

Hand Pumps

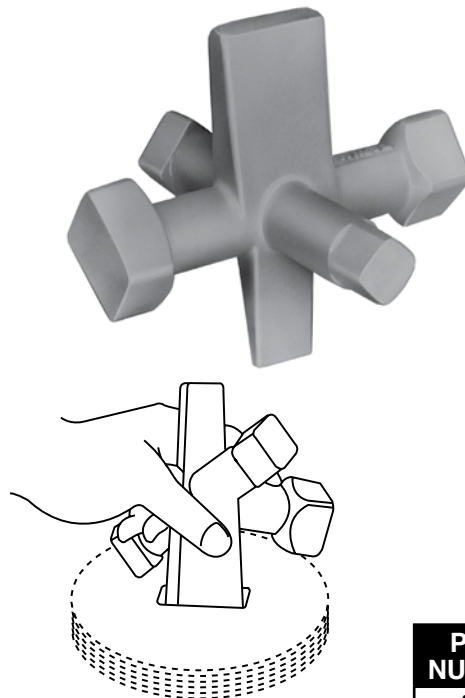
- Use to drain or transfer water
- Large volume of water drawn with each pull of the handle



PART NUMBER	HOSE LENGTH
136PF-6	6 ft.

Eureka Cleanout Plug Wrench

- This unique tool fits either slotted or square countersunk cleanout plugs
- Strong, malleable iron
- Fits slotted or square
- As Seen On TV - "This Old House"



PART NUMBER
4567



Meter Key Socket Head

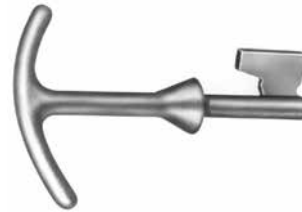
Make any length meter key using 1/2" IPS threaded pipe and this socket



PART NUMBER
4059

Water Meter Box Key

- Brass
- Fits most locks



PART NUMBER
4074

Water Meter Key

All new lightweight design!
This key is designed for valves that are hard to turn

- Minimum order of 5 keys required
- Heavy duty



PART NUMBER	SHAFT DIAMETER	LENGTH	HANDLE LENGTH
4061	5/8"	60"	14"
4089	3/4"	40"	14"

Simply The Best Plumber's Air Pump

- Made of virtually unbreakable polypropylene
- 1-1/4" one piece barrel permits a large volume of air
- 48" Non-kinking reinforced hose
- Quick connect thumb valve
- Large easy one-piece grip handle
- 2" 0-160PSI gauge
- Easy to read RED pressure range arrow
- Hose attached to swivel at base to prevent breaking
- Foot pad is an integral part of pump - won't pull off



PART NUMBER
1424



Tie Down Poly Straps

- Straps are made of polyester webbing material
- Carbon steel cam buckle
- Straps are color coded by length
- Straps have a tensile strength up to 750 lb
- 1" width
- Two straps per package



PART NUMBER	DESCRIPTION
8740-D	Display w/ 2 of each size

PART NUMBER	DESCRIPTION
8741	Pair of 3 ft. green straps
8742	Pair of 4 ft. red straps
8743	Pair of 6 ft. yellow straps
8744	Pair of 8 ft. brown straps
8745	Pair of 10 ft. blue straps
8746	Pair of 12 ft. black straps

Nylon Seine Twine

- For plumb line, seine line, chalk line, mason line



PART NUMBER	SIZE	TEST	LENGTH
4115	#18	179 lb.	275 ft.

Binder Twine

- 2,000 Ft.
- Sisal



PART NUMBER
4043

Truck Rope

- Polypropylene - Black-Orange



PART NUMBER	O.D. SIZE	LENGTH
4111	3/8"	50 ft.
4112	3/8"	600 ft.



Master Plumbers Force Cup

- Heavy duty
- Ribbed cup for strength
- Provides big “blast” for all stoppages
- High quality rubber
- 19” handle



PART NUMBER
4636

Heavy Duty Closet Bowl Force Cup

- Extra large for best pressure with positive seal
- Designed for all types of toilets
- High quality black rubber
- 19” handle



PART NUMBER
4637

Economy Force Cup

- High quality red rubber
- Available in 5” or 6” diameter
- 19” handle



PART NUMBER	SIZE
4640	5”
4641	6”

Plunger Bag

- Durable design - easy to wash out
- Mesh bottom to help dry
- Helps keep water + waste from dripping
- Easy carry handle
- Holds multiple styles and size plungers



PART NUMBER
4687

Plunger Bag Kit

- Durable design - easy to wash out
- Mesh bottom to help dry
- Helps keep water + waste from dripping
- Easy carry handle
- Comes with plunger #4636



PART NUMBER
4687-K



Water Heater Grounding Items

- Bare bronze clamp - steel screws
- Fits 1/2" - 1" pipe
- 2 strand ground wire max
- 10 per bag



*Grounding Adapter

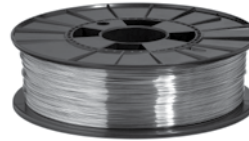


*Screw-On Wire Connectors

- Industry standard
- Reinforced phenolic
- 600 V

- 6 gauge
- 250 foot spool

New!



*Bare Copper Grounding Wire

PART NUMBER	DESCRIPTION
8330	Bare Copper Grounding Wire
5075	Grounding Adapter
5070	Screw-on's: Orange = Small Connects wire sizes #22 - #14
5074	Screw-on's: Yellow = Medium Connects wire sizes #18 - #10

Water Heater Grounding Kits

- Two Bare bronze clamp - steel screws
- Fits 1/2" - 1" pipe

New!



*1050



*1052

PART NUMBER	DESCRIPTION
1050	Water Heater Grounding Kit 12"
1052	Water Heater Grounding Kit 24"

"Romex" Connector

For garbage disposal pigtails

New!

- Zinc die cast
- Dry location use



10 per bag

PART NUMBER
5080

Disposer, Timer & Furnace Cords

ANGLE CAPS

- Wire Nuts
- Romex Connector
- Ends stripped 5/8"
- Pigtail



PART NUMBER	LENGTH	RATING	CORD TYPE
8121	3'	13-A	16/3 SPT
8122	4'		
8123	5'		
8124	6'		
8125	8'		

STRAIGHT CAPS

- Wire Nuts
- Romex Connector
- Ends stripped 5/8"
- Pigtail



PART NUMBER	LENGTH	RATING	CORD TYPE
8130	3'	13-A	16/3 SPT
8131	4'		
8132	5'		
8133	6'		
8134	8'		



Flexible Couplings for DWV & Non-Pressure Transitions

Transitions all types of DWV plastic, and cast iron.

- 300 series stainless steel clamps
- Flexibility - Sleeve is manufactured of molded natural and synthetic rubber or vinyl

Complies with:

- ASTM C1173-2002 • IAPMO 4933



• Use PASCO 2SH

For Condensate

PART NUMBER	DESCRIPTION
56075	3/4" PVC - 1" Copper
56100	1" PVC - 1-1/4" Copper

PART NUMBER	SIZE
56125	1-1/4"
5615125	1-1/2" x 1-1/4"
5615	1-1/2"
56215	2" x 1-1/2"
5622	2"
56315	3" x 1-1/2"
5632	3" x 2"
5633	3"
56415	4" x 1-1/2"
5642	4" x 2"
5643	4" x 3"
5644	4"

PART NUMBER	SIZE
5653	5" x 3"
5654	5" x 4"
5655	5"
5663	6" x 3"
5664	6" x 4"
5665	6" x 5"
5666	6"
5684	8" x 4"
5686	8" x 6"
5688	8"
561010*	10"
561212*	12"

*Part numbers with an asterisk are made in U.S.A.

Plastic DWV Socket to Pipe Socket to Socket Couplings

New!



Socket to Pipe

PART NUMBER	SIZE
59150	1-1/2"
5922	2"
5933	3"
5944	4"



Socket to Socket

PART NUMBER	SIZE
60150	1-1/2"
6022	2"
6033	3"
6044	4"



Cast Iron Bell Joint Gaskets “Donuts”

- Use to join cast iron bell DWV to cast iron or plastic DWV.
- Replaces lead and oakum style joints



Sealing ribs exposed for illustration



PART NUMBER	SIZE
56139	2" x 1-1/2"
56205	2"
563205	3" x 2"
56305	3"
56405	4"
564205	4" x 2"
564305	4" x 3"

Flexible Fittings for DWV

Replacements for Fittings Cut Out of Joints

Ells



PART NUMBER	SIZE
5815	1-1/2"
5822	2"
5833	3"
5844	4"

Tees



PART NUMBER	SIZE
5715	1-1/2"
5722	2"
5733	3"
5744	4"

Multi Seal Gasket

- Multi-seal OD and ID rings
- Natural rubber complies with ASTM C-564

Made in U.S.A.



PART NUMBER	SIZE
95002	2" SV
95003	3" SV
95004	4" SV

Flexible PVC Trap Adapters

- Trap connectors are ideal for new installation, repairs and alterations.
- The 5915 size connects 1-1/4" or 1-1/2" tubular traps to all common 1-1/4" or 1-1/2" drain piping.
- The 5925 size connects 1-1/4" or 1-1/2" tubular traps to all common 2" drain piping, except copper. (For 2" copper, use 5915)
- Stainless steel clamps



PART NUMBER	DRAIN SIZE
5915	1-1/4" or 1-1/2"
5925	1-1/4" or 1-1/2" to 2"

PVC Hose Grip Clothes Washer Connector

- Holds washing machine hoses securely in their standpipe drains.
- The Hose Grip has 4 vents to allow for air flow during discharge from washer.
- Stainless steel clamp



PART NUMBER
5930

Flexible PVC Tubular Trap

- There's no faster, easier way to replace 1-1/4" or 1-1/2" plastic or metal drain traps. It's flexible PVC material adjusts to pipe misalignment and in installs quickly and securely with a common screwdriver or nutdriver.
- Stainless steel clamps



PART NUMBER	DRAIN SIZE
5900	1-1/4" or 1-1/2" to 1-1/2"

Flexible PVC Tubular Drain Pipe Connector

- For any combination of 1-1/2" or 1-1/4" tubular drain pipe.
- Stainless steel clamps



PART NUMBER	DRAIN SIZE
5905	1-1/4" and 1-1/2"



Heavy Duty No-Hub Couplings

PASCO No-Hub couplings utilize the unique “High Efficiency” (HE) clamp specifically developed for no-hub installations. This HE clamp offers the most band load in the industry when 80 lbs. of installation torque is applied.

- 304 Stainless Steel
- Comply with ASTM C-1540
- Conform to CISPI 310
- Additional clamps provide better sealing and load distribution
- 5/16” Hex head screws



• Use **PASCO 2SM**

PART NUMBER	SIZE
PNHC-1.5HD	1-1/2”
PNHC-2HD	2”
PNHC-3HD	3”
PNHC-4HD	4”
PNHC-5HD	5”
PNHC-6HD	6”
PNHC-8HD	8”
PNHC-10HD	10”
PNHC-12HD	12”

No-Hub Couplings

PASCO No-Hub couplings utilize the unique “High Efficiency” (HE) clamp specifically developed for no-hub installations. This HE clamp offers the most band load in the industry when 60 lbs. of installation torque is applied.

- AISI 301 stainless steel band and shield.
- AISI 305 stainless steel screw
- Gaskets conform to ASTM C-564
- Complies with standards:
 - CSA B70-M91
 - CSA B602-M90
 - CISPI 310-95
 - ASTM C-1277



• Use **PASCO 2SH**

PART NUMBER	SIZE
PNHC-1.5	1-1/2”
PNHC-2	2”
PNHC-21.5	2” x 1-1/2”
PNHC-3	3”
PNHC-32	3” x 2”
PNHC-4	4”
PNHC-42	4” x 2”
PNHC-43	4” x 3”
PNHC-5	5”
PNHC-6	6”
PNHC-8	8”
PNHC-10	10”
PNHC-12	12”



ProSeal Flex Couplings

New!

Stainless Steel Shielded Transition Couplings designed for resistance to shear forces as well as corrosion.

PASCO's ProSeal Flex Couplings allow the plumber to make a wide variety of transition pipe connections. ProSeal Flex Couplings connect cast iron, plastic, copper, steel and tubular DWV systems.



- Meet ASTM C1460 and CSA B602.
- All 300 Series Stainless Steel Band and Clamp.
- Neoprene ASTM C564 gasket material.
- Clamp joined to shield with rivets, not welds.

58-CP Series

Cast Iron to Plastic, Steel or Extra-Heavy Cast Iron

PART NUMBER	CAST IRON, PLASTIC, STEEL	CAST IRON, PLASTIC, STEEL, XHCI	FERNCO PART NO.
58150CP	1-1/2"	1-1/2"	3000-150
58215CP	2"	1-1/2"	3000-215
58200CP	2"	2"	3000-22

PART NUMBER	CAST IRON	PLASTIC, STEEL, XHCI	FERNCO PART NO.
5833CP	3"	3"	3000-33
5843CP	4"	3"	3000-43
5844CP	4"	4"	3000-44
5855CP	5"	5"	3000-55
5866CP	6"	6"	3000-66
5888CP	8"	8"	3000-88

58-CK Series

Cast Iron, Plastic or Steel to Copper

PART NUMBER	CAST IRON, PLASTIC, STEEL	COPPER OR PLASTIC		FERNCO PART NO.
58110CK	1-1/2"	1"	3/4"	3001-110
581125CK	1-1/2"	1-1/4"	1"	3001-1125
58115CK	1-1/2"	1-1/2"	1-1/4"	3001-150
582125CK	2"	1-1/4"	1"	3001-2125
58215CK	2"	1-1/2"	1"	3001-215
5822CK	2"	2"	-	3001-22

PART NUMBER	CAST IRON	COPPER OR PLASTIC		FERNCO PART NO.
58315CK	3"	1-1/2"	1-1/4"	3001-315
5832CK	3"	2"	-	3001-32
5833CK	3"	3"	-	3001-33
5843CK	4"	3"	-	3001-43
5844CK	4"	4"	-	3001-44



• Use PASCO 2SH



**Couplings: Flex, ProSeal & No-Hub • Drains
Test Caps & Plugs • Cleanout Plugs • Cover Plates**

New!



58-T Series

Cast Iron, Plastic, Steel to Tubular

PART NO.	CI, PL, ST	TUBULAR	FERNCO PART NO.
58150T	1-1/2"	1-1/2"	3002-150
58215T	2"	1-1/2"	3002-215

58-K Series

Copper to Copper

PART NO.	COPPER TO COPPER	FERNCO PART NO.
58150K	1-1/2" 1-1/2"*	3003-150
58215K	2" 1-1/2"	3003-215
58200K	2" 2"	3003-22
58300K	3" 3"	3003-33

* 1-1/4" Plastic also

58-C Series

Cast Iron to Cast Iron, Plastic or Steel

PART NO.	CI	CI, PL, ST	FERNCO PART NO.
58320C	3"	2"	3004-320
58420C	4"	2"	3004-420

Cast Iron to Cast Iron

PART NO.	CI	CI	FERNCO PART NO.
58430C	4"	3"	3004-430

58-P Series

Plastic, Steel, Extra Heavy Cast Iron to Plastic, Steel, Extra Heavy Cast Iron

PART NO.	PL, ST, XHCI	PL, ST, XHCI	FERNCO PART NO.
58300P	3"	3"	3005-33
58430P	4"	3"	3005-43
58400P	4"	4"	3005-44
58600P	6"	6"	3005-66

58-KC Series

Copper to Cast Iron, Plastic, Steel

PART NO.	COPPER	CI, PL, ST	FERNCO PART NO.
58215KC	2"	1-1/2"	3006-215
5832KC	3"	2"	3006-32

58-PK Series

Plastic, Steel or Extra Heavy Cast Iron to Copper

PART NO.	PL, ST, XHCI	COPPER	FERNCO PART NO.
5833PK	3"	3"	3007-33
5843PK	4"	3"	3007-43
5844PK	4"	4"	3007-44

58-PC Series

Plastic, Steel or Extra Heavy Cast Iron to Cast Iron, Plastic, Steel

PART NO.	PL, ST, XHCI	CI, PL, ST	FERNCO PART NO.
5832PC	3"	2"	3008-32

58-TWP Series

Thinwall Plastic to SCH 40 Plastic

PART NO.	TWP	SCH 40	FERNCO PART NO.
5833TWP	3"	3"	3009-33
5844TWP	4"	4"	3009-44

58-KT Series

Copper to Tubular

PART NO.	COPPER	TUBULAR	FERNCO PART NO.
58150KT	1-1/2"	1-1/2"	3010-150
58215KT	2"	1-1/2"	3010-215



Flex Couplings for DWV & Non-Pressure Transitions

Flexible coupling is manufactured from natural rubber, synthetic rubber or vinyl.

- 300 Series Stainless Steel Clamps
- Torque to 60 lbs.
- Repair existing pipe
- Flex Couplings comply with:
 - ASTM C1173-2002
 - IAPMO 4933



Clay to Clay

PART NUMBER	SIZE
56144	4"
56164*	6" x 4"
56166*	6"

* Transition Style
 Equals Fernco 1001 Series
 Mission MR01 Series

Transition Style Concrete to Cast Iron/Plastic

PART NUMBER	SIZE
56644	4"
56664	6" x 4"
56665	6" x 5"
56666	6"

Equals Fernco 1006 Series
 Mission MR06 Series

AC/Ductile Iron to Cast Iron/Plastic

PART NUMBER	SIZE
565144	4"

Equals Fernco 1051 Series
 Mission MR51 Series



Transition Style Clay to Cast Iron or Plastic

PART NUMBER	SIZE
56244	4"
56243	4" x 3"
56264	6" x 4"
56266	6"
56288	8"
5621010	10"

* 4" Clay to 6" CI/PL
 Equals Fernco 1002 Series
 Mission MR02 Series



• Use **PASCO 2SH**

Made in USA or Taiwan



Stainless Steel Shear Rings

New!

Add extra strength to just about any size
PASCO 56 Series Flex Coupling*

PASCO's Stainless Steel Shear Rings are easy to attach and help maintain proper alignment of the **PASCO 56 Series Flex Coupling** in buried installations. For use with cast iron and plastic pipe.

*Part numbers 5615 to 561818



- Minimum Thickness .018"
- Clamps attached to Shear Ring
- 300 Series Stainless Steel Clamps and Sleeves.
- Made in USA.
- Designed to fit Pasco 56 Series Couplings.*
- Stock for use with regular flex coupling inventory.



PART NUMBER	FITS PASCO FLEX COUPLING	LENGTH	WIDTH	CLAMP SIZE
SR9	5615 - 1-1/2"	9"	1-1/2"	32
SR11	5622 - 2"	11"	1-1/2"	40
SR15	5633 - 3"	15"	2"	64
SR19	5644 - 4"	19"	2"	80
SR22	5655 - 5"	22"	2"	96
SR25	5666 - 6"	25"	4"	116
SR33	5688 - 8"	33"	4"	152
SR39	561010 - 10"	39"	4"	188
SR46	561212 - 12"	46"	4"	212
SR54L	561515L - 15"	54"	11"	260
SR63L	561818L - 18"	63"	11"	312
SR63S	561818S - 18"	63"	6-1/2"	312

Also fits Fernco 1056, Mission Rubber MR56, Dallas Specialty DS56, NDS DFW56, Indiana Seal 156, Pipeconex PCX56 Flex Couplings.



Flex Couplings for DWV & Non-Pressure Transitions

Flexible coupling is manufactured from natural rubber, synthetic rubber or vinyl.

PASCO's 56 Series Flex Couplings with Stainless Steel Shear Rings resist heavy earth loads, shear forces and coupling deterioration caused by environmental effects.

- 300 Series Stainless Steel Clamps and Shear Rings
- Minimum thickness of Shear Ring is .018".
- Torque to 80 lbs.
- Repair existing pipe
- Flex Couplings comply with:
 - ASTM C1173-2002
 - IAPMO 4933

Stainless Steel Wormgear Clamps and Shear Ring

Shear Rings Made in the USA

All Couplings made in the USA with the exception of
 the Cast Iron to Plastic 6" and under.



Clay to Clay

PART NUMBER	SIZE
56144SR	4"

* Straight Through
 Equals Fernco 1001 RC Series

Concrete to Concrete

PART NUMBER	SIZE
56444SR	4"
56466SR	6"

Equals Fernco 1004 RC Series

Cast Iron to Plastic Pipe

PART NUMBER	SIZE
5615SR	1-1/2"
5622SR	2"
5633SR	3"
5643SR	4" x 3"*
5644SR	4"
5655SR	5"
5664SR	6" x 4"
5666SR	6"

* Straight Through
 Equals Fernco 1056 RC Series

Concrete to Cast Iron/Plastic

PART NUMBER	SIZE
56644SR	4"

* Straight Through
 Equals Fernco 1006 RC Series

AC/Ductile Iron to Cast Iron/Plastic

PART NUMBER	SIZE
565144SR	4"

Equals Fernco 1051 RC Series



• Use PASCO 2SM



Flex Couplings for DWV & Non-Pressure Transitions

Flexible coupling is manufactured from natural rubber, synthetic rubber or vinyl.

PASCO's 56 Series Flex Couplings with Stainless Steel Shear Rings resist heavy earth loads, shear forces and coupling deterioration caused by environmental effects.

- 300 Series Stainless Steel Clamps and Shear Rings
- Minimum thickness of Shear Ring is .018"
- Torque to 80 lbs.
- Repair existing pipe
- Flex Couplings comply with:
 - ASTM C1173-2002
 - IAPMO 4933

Tough Nut and Bolt Stainless Steel Clamps and Shear Ring

Shear Rings Made in the USA
 All Couplings made in the USA with the exception of
 the Cast Iron to Plastic 6" and under.



Clay to Clay

PART NUMBER	SIZE
56144PRC	4"

* Straight Through
 Equals Fernco 5001 RC Series
 Mission MR01 ARC

Concrete to Cast Iron/Plastic

PART NUMBER	SIZE
56644PRC	4"

Equals Fernco 5006 RC Series
 Mission MR04 ARC

Clay to Cast Iron/Plastic

PART NUMBER	SIZE
56244PRC	4"

Equals Fernco 5002 RC Series
 Mission MR02 ARC

AC/Ductile Iron to Cast Iron/Plastic

PART NUMBER	SIZE
565144PRC	4"

Equals Fernco 5051 RC Series
 Mission MR51 ARC

Cast Iron, Plastic or Steel to Cast Iron, Plastic or Steel

PART NUMBER	SIZE
5643PRC	4" x 3"*
5644PRC	4"
5655PRC	5"
5666PRC	6"

Sizes 4" and 5" - Single Nut
 Sizes 6" and above - Double Nut
 • Straight Through † Length
 Equals Fernco 5056 RC Series
 Mission MR56 ARC



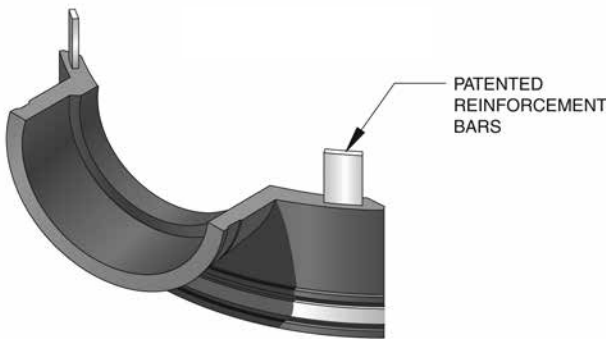
• Use **PASCO 2SM**



Flexible Sewer Saddles

The saddle's elastomeric construction allows a single description to securely fit 6" sewer main pipe diameters and up. The saddle's flexibility eliminates the need for a large inventory of rigid PVC saddles of various descriptions.

Available for all 4" or 6" Plastic or Cast Iron drain pipe inlets in Tee or Wye configurations



A breakthrough in saddle design, the patented Flexible Saddle demonstrates superior flexibility in more than one way.

- Two configurations, a "Tee" and a "Wye" are available in 4" or 6" inlet descriptions.
- Elastomeric construction provides maximum strength and flexibility.
- Saddle design will accommodate polyethylene pipe used in slip lining sewer systems.
- Inlet range from SCH-40 down to SDR-35 includes standard weight soil pipe.
- Includes special "slip-lock" clamps of 300 series stainless steel.
- Steel reinforced edges prevent distortion when torque is applied to clamps.
- Durable design and low unit price make the Flexible Saddle economical and environmentally wise.

One Flexible Sewer Saddle will fit ALL 6" and larger sewer mains.

PART NUMBER	DESCRIPTION
57144	4" Cast Iron or Plastic Inlet - Tee
57166	6" Cast Iron or Plastic Inlet - Tee
57244	4" Cast Iron or Plastic Inlet - Wye
57266	6" Cast Iron or Plastic Inlet - Wye

Sold with stainless steel inlet clamp and two slip-lock stainless steel clamps for up to 15" sewer mains.

4" inlet clamp #60080

6" inlet clamp #60096

15" sewer main clamps #550248



Test & Clean Out Caps

- Fits plastic and hubless cast iron DWV
- Made from the highest quality natural rubber
- Built in cross rib for extra strength
- Inside knurling grips pipe



PART NUMBER	SIZE
4417	1-1/2"
4418	2"
4419	3"
4422	4"
4840	5"
4841	6"
4849	8"

Knockout Test Caps

- Solvent weld to ABS or PVC DWV
- Fits both plastic SCH 40 and foam core DWV



PART NUMBER	SIZE
4842	1-1/2"
4843	2"
4844	3"
4845	4"



Fill-Test-Drain Cap

“Fill-Test-Drain Cap” Single Size Test Cap with Integral Pipe Nipple

- Multi-use... versatile... economical
- The unique design of these individually sized test caps has a 3/4" MPT x 1/2" FPT pipe nipple molded directly into the caps. Simply add a hose bibb or test gauge to fill, test or drain the line
- Durable 100% synthetic rubber with stainless steel clamp
- Available in 4 sizes... 1-1/2", 2", 3", 4"



* With Hose Bibb

PART NUMBER	SIZES
4857	1-1/2"
4858	2"
4859	3"
4860	4"
*4857HB	1-1/2"
*4858HB	2"
*4859HB	3"
*4860HB	4"



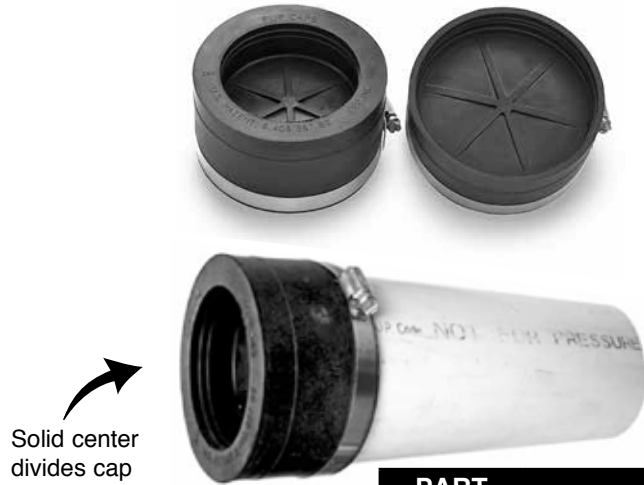
Flip-Cap • Flip & Fill
 Two Test Caps in One

New!

Flip Cap

The “Flip Cap” Dual Size Test Cap...
 Two Test Caps in One!

- One cap - fits two diameters of pipe
- Slide hose clamp to fit
- Multi-use... versatile... economical
- Cut your test cap inventory in half!
- Available in two sizes... 1-1/2" x 2" and 3" x 4"
- “Flip” the cap over and slide the clamp in place to test either diameter of pipe
- Durable 100% synthetic rubber with stainless steel clamp
- Plumber designed and tested



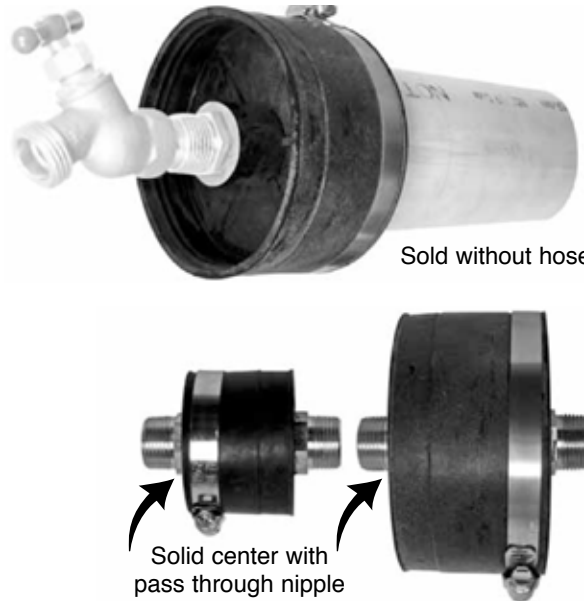
One Cap - 1-1/2" or 2" Pipe
 One Cap - 3" or 4" Pipe

PART NUMBER	SIZES
4848	1-1/2" - 2"
4850	3" - 4"

Flip & Fill Cap

The “Flip & Fill” Dual Size Test Cap
 with Integral Pipe Nipple...
 Two Test Caps in One!

- One cap - fits two diameters of pipe
- Slide hose clamp to fit
- Multi-use... versatile... economical
- Cut your test cap inventory in half!
- Test and drain two pipe diameters with only one cap. The unique design of this cap has a 3/4" MPT x 1/2" FPT pass through nipple molded directly into the cap. Simply add a hose bibb or test gauge to fill, test or drain the line
- Durable 100% synthetic rubber with stainless steel clamp
- Available in two sizes... 1-1/2" x 2" and 3" x 4"
- Plumber designed and tested



Sold without hose bibb

One Cap - 1-1/2" or 2" Pipe
 One Cap - 3" or 4" Pipe

PART NUMBER	SIZES
4852	1-1/2" - 2"
4854	3" - 4"



COUNTERSUNK-ABS PLASTIC TOP

- Uses a 5/32" allen wrench for installation and removal
- Designed for a "wall flush" finish



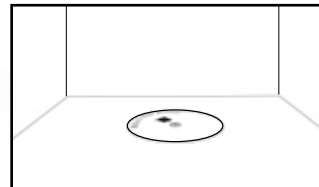
PART NUMBER	DESCRIPTION
CS15	1-1/2" Real-Tite Plug
CS20	2" Real-Tite Plug
CS25	2-1/2" Real-Tite Plug
CS30	3" Real-Tite Plug
*CS35	3-1/2" Real-Tite Plug
CS40	4" Real-Tite Plug



*Most Popular

FLOOR MOUNT-10 GAUGE STAINLESS STEEL TOP

- Uses a 5/32" allen wrench for installation and removal
- Designed for a "floor flush" finish
- Won't "Dimple" from foot or machinery traffic



PART NUMBER	DESCRIPTION
STCS15	1-1/2" SS Top Real-Tite Plug
STCS20	2" SS Top Real-Tite Plug
STCS25	2-1/2" SS Top Real-Tite Plug
STCS30	3" SS Top Real-Tite Plug
*STCS35	3-1/2" SS Top Real-Tite Plug
STCS40	4" SS Top Real-Tite Plug



*Most Popular

Econo Test Plug

- Designed with a rubber flange that grips the end of the pipe preventing slippage
- 3" and 4" test plugs supplied with a superfly wingnut.
- For plastic, cast iron DWV



PART NUMBER	SIZE
4801	1"
4802	1-1/4"
4803	1-1/2"
4804	2"
4806	3"
4808	4"



SMART PLUMBING STARTS HERE!

SEWER POP-UP

CLEANOUT & RELIEF VALVE
THREADED FOR 3" OR 4" FEMALE PIPE ADAPTER



PART NUMBER	DESCRIPTION
62304	4" X 3" Sewer Pop-Up
62306	6" Sewer Pop-Up

- Automatic pop-up releases sewage overflow outside the house.
- Prevents thousands of dollars in property damages.
- Eliminates health hazards associated with sewage overflow.
- Vandal and tamper resistant center.
- Threaded unit can be used with PVC or ABS.
- For cast iron pipe, use standard no hub coupling.



Threaded Plug Adapter 3" or 4" Pipe.



Remove the existing threaded plug.



Hand tighten the Sewer Popper in place of the plug.





SEWER RELIEF VALVE

- Installs easily into your existing clean-outs
- Reduce costly damage from a sewer back-up
- Replaces your existing outside cleanout plugs
- Spring design prevents sewer gas from escaping, but opens to relieve pressure from sewage back-up
- Made with durable ABS plastic for superior toughness and longevity
- Dimensions: Multiple sizes to fit your cast iron or plastic pipe



PART NUMBER	DESCRIPTION	FITS PIPE SIZE
SRV3000	3" Sewer Relief Valve	3"
SRV3500	3.5" Sewer Relief Valve	3.5"
SRV4000	4" Sewer Relief Valve	4"



Southern Code Type Brass Cleanout Plugs

- Countersunk plugs can be tapped with 5/16" threads upon request.
- Countersunk plugs may be ordered "not tapped through" by adding -NT to the part number



Raised Head	
PART NUMBER	SIZE
1846	1-1/2"
1847	2"
1848	2-1/2"
1849	3"
1850	3-1/2"
1851	4"
1875	5"
1876	6"

Countersunk Square	
PART NUMBER	SIZE
1852	1-1/2"
1853	2"
1854	2-1/2"
1855	3"
1856	3-1/2"
1857	4"
1878	5"
1879	6"

Countersunk Tapped 1/4" x 20 Threads

PART NUMBER	SIZE
1852-T	1-1/2"
1853-T	2"
1854-T	2-1/2"
1855-T	3"
1856-T	3-1/2"
1857-T	4"

Cleanout Plugs

Brass Cleanout Plugs - UPC Type

- Countersunk plugs can be tapped with 5/16" threads upon request.
- Countersunk plugs may be ordered "not tapped through" by adding -NT to the part number



Raised Head	
PART NUMBER	SIZE
1858	1-1/2"
1859	2"
1860	2-1/2"
1861	3"
1862	3-1/2"
1863	4"
1890	5"

Countersunk Slot	
PART NUMBER	SIZE
1864	1-1/2"
1865	2"
1866	2-1/2"
1867	3"
1868	3-1/2"
1869	4"
1891	5"

Countersunk Tapped 1/4" x 20 Threads

PART NUMBER	SIZE
1864-T	1-1/2"
1865-T	2"
1866-T	2-1/2"
1867-T	3"
1868-T	3-1/2"
1869-T	4"



Cleanout Plug Cover Plate

- Plugs tapped with 1/4" x 20 threads
- Each Set Contains:
- 1-Brass cleanout plug
- 1-Stainless steel cover plate
- 1-1-1/4" x 20 x 4" bolt
- Countersunk plugs may be ordered "not tapped through" by adding -NT to the part number



SC Square Countersunk

PART NUMBER	PLUG SIZE	PLATE SIZE
1779	1-1/2"	3"
1780	2"	4"
1781	2-1/2"	4"
1782	3"	5"
1783	3-1/2"	6"
1784	4"	8"



UPC Slotted Countersunk

PART NUMBER	PLUG SIZE	PLATE SIZE
1785	1-1/2"	3"
1786	2"	4"
1787	2-1/2"	4"
1788	3"	5"
1789	3-1/2"	6"
1791	4"	8"

Stainless Steel Cleanout Cover Plates

- Polished stainless steel
- Countersunk hole will accept both 1/4" and 5/16" bolts
- 22 Gauge metal
- With screw for plastic clean out plugs add -S to part number



**Cover Plate with
1/4" - 20 x 4" bolts**

PART NUMBER	SIZE
1840	3"
1841	4"
1842	5"
1843	6"
1844	7"
1845	8"

Cover Plate ONLY

PART NUMBER	SIZE
1840-C	3"
1841-C	4"
1842-C	5"
1843-C	6"
1844-C	7"
1845-C	8"

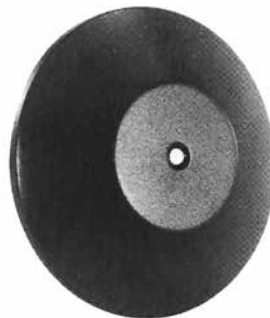
Bolts ONLY

PART NUMBER	SIZE
1629	1/4" - 20 x 2-1/2"
1649	1/4" - 20 x 4"
1659	5/16" - 18 x 4"



Domed Stainless Steel Cleanout Plate

- These domes cover cleanouts that protrude from the wall
- Unlike plastic covers these steel plates will not deteriorate with age
- Countersunk hole will accept both 1/4" and 5/16" bolts
- 1-1/4" in depth
- 22 gauge metal



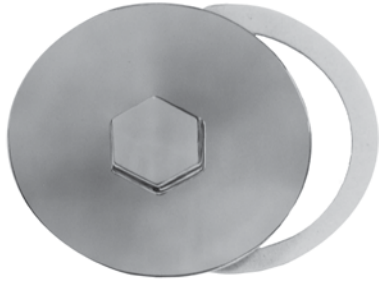
PART NUMBER	DIA.	W/BOLT 1/4" x 20 x 2-1/2"
1796-SS	4"	Yes
1796-SSC	4"	No
1798-SS	6"	Yes
1798-SSC	6"	No





Drum Trap Plate

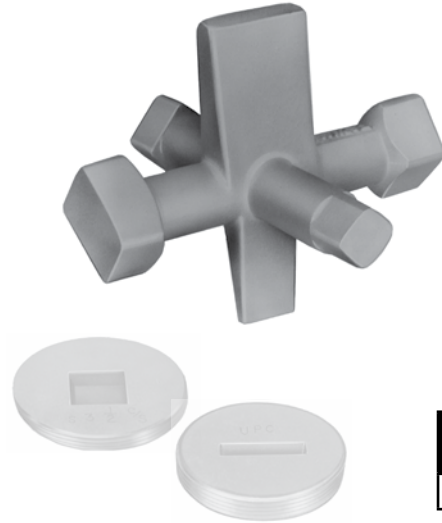
- 4-1/4" Diameter with gasket
- CP die cast
- 20 Threads
- Fits 3" opening



PART NUMBER
1837

Eureka Cleanout Plug Wrench

- This unique tool fits either slotted or square countersunk cleanout plugs
- Strong, malleable iron
- Fits slotted or square



PART NUMBER
4567

Cut Length Oakum Oiled or White

- Convenient, labor saving cut lengths
- Non-splitting
- Contains no tar
- Made to pack well, caulks tight
- Treated with a special compound to expand when wet



Oil Treated

PART NUMBER	DESCRIPTION
2899	1 bag 27" strands = 1 LBS
2897	1 box 27" strands = 5 LBS

White - No Oil

PART NUMBER	DESCRIPTION
28100	1 bag 27" strands = 1 LBS



2" Quick Connect Shower Drain

Quick Clamping Gasket And Collar For Ceramic Tile Showers

- Cast Iron
- Clamping collar securely attaches drain to drain line
- Speeds installation
- Extra heavy (.050) strainer



Protected with
 TechCoat finish

PART NUMBER	TOP FLANGE DIAMETER	BOTTOM FLANGE DIAMETER
7990	5-1/2"	7"

"Quick Test" Shower Drain

For Ceramic Tile Showers

- Threaded for test nipple
- Cast iron
- Extra heavy (.050) strainer



PART NUMBER	DRAIN CONNECTION
8006	2" IPS
8007	1-1/2" IPS
8008	2" Caulk
8011	2" Caulk w/Gasket
8012	2" No Hub

Protected with
 TechCoat Finish

PART NUMBER	DESCRIPTION
8009	Quick Caulk Rubber Gasket Only

2" Quick Set Shower Drain

For Ceramic Tile Showers

- Internal locknut and gasket for 2" DWV
- Cast Iron
- Extra heavy (.050) strainer



Internal locknut &
 gasket

Protected with
 TechCoat Finish

PART NUMBER	TOP FLANGE DIAMETER	BOTTOM FLANGE DIAMETER
8014	5-1/2"	5-1/2"

Plastic Shower Drain

Clamping Ring Style

- 4" diameter strainer
- 2" IPS plastic tailpiece allows adjustment to desired level
- Fits over 2" or inside 3" Schedule 40 DWV



PART NUMBER	MATERIAL	DRAIN CONNECTION	TOP FLANGE DIAMETER	BOTTOM FLANGE DIAMETER
8015	PVC	2"-3" PVC	5-1/4"	6-1/2"
8016	ABS	2"-3" ABS		
8019	4" Stainless Steel Strainer			



Shower & Floor Drain-Round

- Adjustable strainer - 1-1/4" Adjustment
- Cast Iron
- 4-3/16" Heavy chrome plated brass strainer with brass spud
- Add suffix **BN** for **Brush Nickel** strainer



PART NUMBER	DRAIN CONNECTION	TOP FLANGE DIAMETER	BOTTOM FLANGE DIAMETER
60201	2" Inside Caulk	5"	7"
60203	2" IPS		
60205	2" No-Hub		
60981	4-3/16" threaded chrome plated brass strainer only		

Shower & Floor Drain-Square

- Adjustable strainer - 1-1/4" Adjustment
- Cast Iron
- 4-3/16" Heavy chrome plated brass strainer with brass spud
- Add suffix **BN** for **Brush Nickel** strainer



PART NUMBER	DRAIN CONNECTION	TOP FLANGE DIAMETER	BOTTOM FLANGE DIAMETER
60201SQ	2" Inside Caulk	5"	7"
60203SQ	2" IPS		
60205SQ	2" No-Hub		
60981SQ	4-3/16" threaded chrome plated brass strainer only		

Shower & Floor Drain

- Adjustable strainer - 1-1/4" Adjustment
- Cast metal ring & strainer
- PVC with chrome brass top & ABS with chrome brass top
- 4-3/16" Heavy chrome plated brass strainer
- Add suffix **BN** for **Brush Nickel** strainer



PART NUMBER	DESCRIPTION
8017	2X3 PVC/Brass Shower Drain w/Round Head Top
8018	2X3 PVC/Brass Shower Drain w/Square Head Top
8021	2X3 ABS/Brass Shower Drain w/Round Head Top
8022	2X3 ABS/Brass Shower Drain w/Square Head Top



Cast Iron Closet Flanges

All cast iron closet flanges are protected by PASCO'S exclusive TechCoat Finish

“Quick Set”

Push on either cast iron or plastic DWV. Stainless steel bolts and washers tighten neoprene gasket.



REGULAR STYLE	
PART NUMBER	SIZE & DEPTH
40320	3" x 2"
40420	4" x 2"
40440	4" x 4"

WEST COAST STYLE Has Built In Test Cap

PART NUMBER	SIZE & DEPTH
296	4" x 2"
297	4" x 3"
298	4" x 4"



2" Offset Caulk - No Hub



PART NUMBER	SIZE & DEPTH	CONNECTION
43441	4" x 4"	No-Hub

3/4" Offset Quick Set

Offsets to front or back



PART NUMBER	SIZE & DEPTH
299	4" x 2"

4" Brass Closet Flanges



49440



49443



49441

For use with lead bends

PART NUMBER	SIZE & DEPTH	STYLE
49440	4"	14oz.
49441	4"	1-1/8" Deep
49443	4" x 1-1/2"	3" Reducing



2" Quick Set Shower Drain

For Fiberglass Shower Stalls

- Internal locknut and gasket for 2" DWV
- Brass body and locknut
- Stainless steel strainer



PART NUMBER	PIPE SIZE
7980	2"
7980-G	2"

Brass Utility Drain

- Brass body
- Stainless steel strainer



PART NUMBER	IPS
1170	1-1/2"
1171	2"

Bell Traps

- Protected with TechCoat Finish



Complete Bell Trap

PART NUMBER	DESCRIPTION
76302	6" x 6" x 2" No-Hub

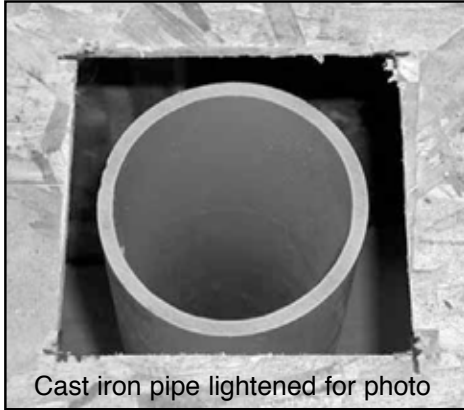
Strainer Only

PART NUMBER	DESCRIPTION
76412	4-7/8" for 6" x 6"



QUICK SET SQUARE CAST IRON CLOSET FLANGE

The Problem:



Cast iron pipe lightened for photo

In new construction, contractors everywhere find it easier to cut square holes rather than round holes for DWV pipe and closet flanges.

However, the holes in the subfloor must be cut larger than the pipe to allow the closet flange to be pushed onto the pipe.



In the majority of installations too much wood has been removed to properly secure a round closet flange.

The Solution:



PASCO's NEW Quick Set Square Closet Flange will solve the problem of properly supporting a closet flange mounted in a square hole. Keep in mind that the pipe doesn't support the flange, the sub-floor does. Simply push the QUICK SET CLOSET FLANGE flush on the DWV pipe and alternately tighten the four stainless steel screws. Secure to subfloor with brass wood screws.

**PART
NUMBER**
295



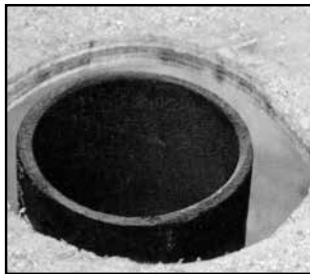
Closest Flange Spacer

Patent Pending

Provides stability to closet flanges installed in oversized or irregular cut holes in the subfloor

- Installs below the closet flange
- Snugly fits PVC, ABS and, Cast Iron closet flanges
- Cut away inner ring to fit the larger OD of a cast iron closet flange
- 10-1/2" outer diagonal size square, 3/8" thick
- 9" diagonal screw hole
- 5-1/4" diameter hole
- Can be stacked for added height when floor is to be finished with ceramic tile
- Supplied with four brass wood screws
- Corrosion proof polyethylene
- **Two styles to fit any closet flange**

The Problem:



The hole in the wooden subfloor is cut too large to properly secure a closet flange.



The Solution:



With the new PASCO Closet Flange Spacer you can fix this problem quickly, efficiently, and professionally.

Packed 20 per case

PART NUMBER	FITS CLOSET FLANGE STYLE
21016	Regular-ABS, PVC, Cast Iron



Sump Pump Check Valves

- Flapper is nested in place to improve durability and longer life.
- Gasket-less design used on valve body.
- Injection molded ABS valve body is extremely tough and durable.
- Internal valve chamber uses a hydrodynamic design to reduce water turbulence and reduce noise.
- Silencer check valves completely eliminate hammering noises associated with pump cycling.
- Vertical or Horizontal

Rubber Hose Coupling



- Valves come with all mounting hardware.

Standard

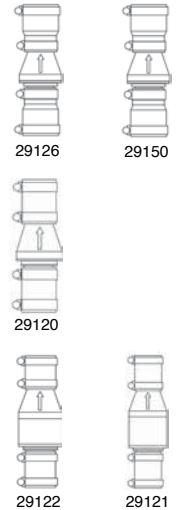
PART NO.	HOSE SIZE	LENGTH
29150	1-1/2"	7-3/4"
29126	1-1/4" x 1-1/2"	9-1/4"

Full Flow

PART NO.	HOSE SIZE	LENGTH
29120	2"	9-3/4"

"Silencer"

PART NO.	HOSE SIZE	LENGTH
29121	1-1/2"	12"
29122	2"	12-3/4"



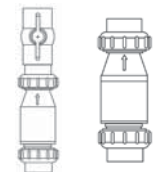
True Union Swing



- True Union coupling for easy swing-out during service/inspection
- Slip x Slip ends • O-Ring seals
- Ball valve/check valve combinations

"Silencer" Ball Valve / Check Combo

PART NO.	HOSE SIZE	LENGTH
29137	1-1/2"	14-1/8"
29138	2"	16-1/2"



Compression Swing



- Fittings on both ends of valve for easy installation
- Ball valve/check valve combinations available
- No gluing required
- Heavy duty design

Compression

PART NO.	PIPE SIZE	LENGTH
29139	2"	9-1/4"



GEN-RID

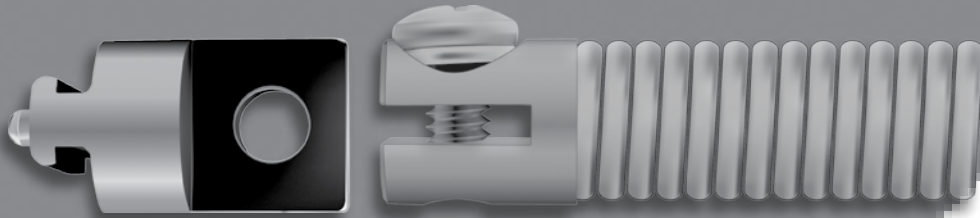
Drain Snake Tool Adapters

- Adapts General Heads to Ridgid Cables
- Adapts Ridgid Heads to General Cables
- Made of Tempered Tool Steel
- Comes With Ridgid Release Key (PS-A13)
- Fits 5/16", 3/8" and 1/2" cables

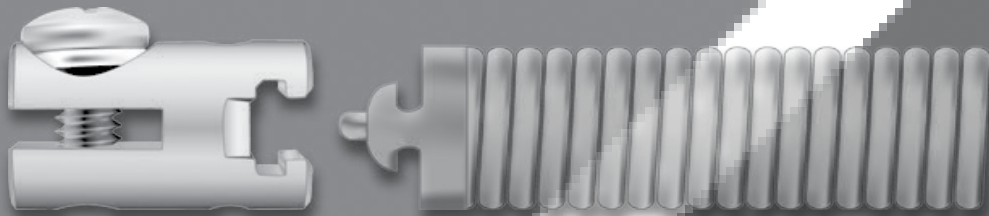
New!

Only Available from Pasco

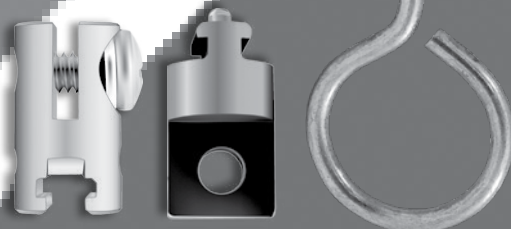
PS-11



PS-12



**Drain Snake Tool Kit PS-23
Both Adapters**



PART NUMBER	Description
PS-23	Drain Snake Tool Adapters
PS-11	Adapts Ridgid Heads to General Cables
PS-12	Adapts General Heads to Ridgid Cables



Generic General Style

PASCO manufactures these Drain Snake Specialties to the exacting standards of the professional plumbing industry. The products pictured on the following pages fit a variety of Drain Snake Cables used in the plumbing trade.

1-1/4" Side Cutter Blades

For 5/16" and 3/8" Cables



PART NUMBER
PS-125

Boring Auger

For 5/16" and 3/8" Cables



PART NUMBER
PS-4

1-1/2" U-Cutter

For 3/8" and 1/2" Cables



PART NUMBER
PS-15

Drop Head Boring Auger

For 5/16" and 3/8" Cables



PART NUMBER
PS-5

Cable Side Cutter Blades

For 3/8", 1/2", 5/8", and 3/4" Cables



PART NUMBER	SIZE
PS-2B	2"
PS-3B	3"
PS-4B	4"

Drop Head Fitting

For 5/16" and 3/8" Cables



PART NUMBER
PS-6

Arrowhead Starting Drill

For 5/16", 3/8", and 1/2" Cables



PART NUMBER
PS-1

Flexible Arrowhead

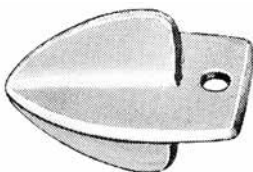
For 5/16" and 3/8" Cables



PART NUMBER
PS-7

Spearhead Starting Drill

For 5/8" and 3/4" Cables



PART NUMBER
PS-3

U-Cutters

For 5/8" and 3/4" Cables



PART NUMBER	SIZE
PS-20	2"
PS-30	3"
PS-40	4"



Generic General Style

PASCO manufactures these Drain Snake Specialties to the exacting standards of the professional plumbing industry. The products pictured on the following pages fit a variety of Drain Snake Cables used in the plumbing trade.

3" Rotary Saw Blades

For 1/2", 5/8", and 3/4" Cables



PART NUMBER
PS-38

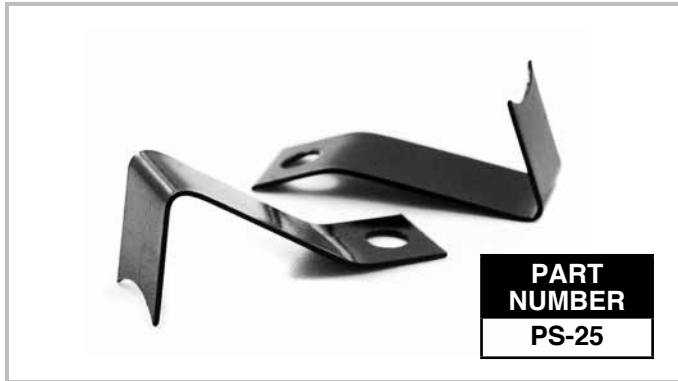
Small Corkscrew Retrieving Tool

For 3/8" and 1/2" Cables



PART NUMBER
PS-10

Cable Gripper



PART NUMBER
PS-25

All PASCO Drain Snake Specialties are packaged in clear clam shells for easy identification.

5 Piece Toolset - 3/8" Cable

- Flexible Arrowhead (PS-7)
- Boring Auger (PS-4)
- Arrowhead Starting Drill (PS-1)
- 1-1/4" Side Cutter Blades (PS-125)
- Drop Head Boring Auger (PS-5)



COMPLETE KIT NUMBER
PS-5P

4 Piece Toolset - 3/8" Cable

- Arrowhead Starting Drill (PS-1)
- Boring Auger (PS-4)
- 1-1/2" U-Cutter (PS-15)
- 2" Cable Side Cutter Blades (PS-2B)




COMPLETE KIT NUMBER
PS-4P



Generic Ridgid Style


PASCO manufactures these Drain Snake Specialties to the exacting standards of the professional plumbing industry. The products pictured on the following pages fit a variety of Drain Snake Cables used in the plumbing trade.

Straight Auger




PART NUMBER	CABLE	LENGTH	CONNECTOR SIZE
PS-990	3/8" & 1/2"	5"	5/8"
PS-850	1/2" & 7/8"	8"	7/8"

Double Tooth Cutter




PART NUMBER	CABLE	PIPE SIZE
PS-510	5/8" & 3/4"	2"
PS-515	5/8" & 3/4"	2-1/2"
PS-520	5/8" & 3/4"	3"

Cone Auger




PART NUMBER	CABLE	LENGTH	CONNECTOR SIZE
PS-855	1/2" & 7/8"	6"	7/8"
PS-010	3/8" & 1/2"	3"	5/8"

Spiral Cutter




PART NUMBER	CABLE	PIPE SIZE	CONNECTOR SIZE
PS-015	3/8" & 1/2"	1-1/4"	5/8"
PS-020	3/8" & 1/2"	1-1/2"	5/8"
PS-025	3/8" & 1/2"	2"	5/8"

Boring Auger




PART NUMBER	CABLE	PIPE SIZE	CONNECTOR SIZE
PS-000	3/8" & 1/2"	7/8"	5/8"
PS-995	3/8" & 1/2"	1-1/8"	5/8"

Rotary Tooth Cutter




PART NUMBER	CABLE	PIPE SIZE	CONNECTOR SIZE
PS-505	5/8" & 3/4"	3"	5/8"

Drop Head Auger




PART NUMBER	CABLE
PS-065	3/8" & 1/2"

Heavy Duty C-Grease Cutter




PART NUMBER	CABLE	SIZE	CONNECTOR SIZE
PS-812	3/8" & 1/2"	2"	5/8"
PS-817	3/8" & 1/2"	2-1/2"	5/8"
PS-822	3/8" & 1/2"	3"	5/8"

U-Grease Cutter



PART NUMBER	CABLE	SIZE	CONNECTOR SIZE
PS-837	3/8" & 1/2"	1"	5/8"
PS-005	3/8" & 1/2"	1-3/8"	5/8"

Pin Key




PART NUMBER	CABLE
PS-A13	3/8" & 5/8"



Generic Ridgid Style

PASCO manufactures these Drain Snake Specialties to the exacting standards of the professional plumbing industry. The products pictured on the following pages fit a variety of Drain Snake Cables used in the plumbing trade.

Arrowhead Grease Cutter




PART NUMBER	CABLE	SIZE	CONNECTOR SIZE
PS-030	3/8" & 1/2"	1"	5/8"
PS-035	3/8" & 1/2"	1-3/8"	5/8"
PS-040	3/8" & 1/2"	1-3/4"	5/8"

Arrowhead




PART NUMBER	CABLE	SIZE
PS-495	5/8" & 3/4"	1-3/4"

Spearhead Grease Cutter




PART NUMBER	CABLE	SIZE	CONNECTOR SIZE
PS-870	1/2"	2-1/2"	7/8"
PS-875	1/2"	3-1/2"	7/8"

Knife U-Cutter




PART NUMBER	CABLE	SIZE	CONNECTOR SIZE
PS-842	1/2"	1-1/2"	5/8"
PS-852	1/2"	2-1/2"	5/8"

Quad Cutter




PART NUMBER	CABLE	SIZE	CONNECTOR SIZE
PS-045	3/8" & 1/2"	1"	5/8"
PS-050	3/8" & 1/2"	1-3/8"	5/8"
PS-055	3/8" & 1/2"	1-3/4"	5/8"

H-Cutter



PART NUMBER	CABLE	SIZE	CONNECTOR SIZE
PS-865	1/2"	2-1/2"	7/8"

Quad Cutter



PART NUMBER	CABLE	SIZE	CONNECTOR SIZE
PS-930	1/2"	1-3/4"	7/8"
PS-935	1/2"	3"	7/8"

6 Piece Toolset - 3/8" Cable


For 3/8" Cable

Contains one each:

- 1-1/8" Boring Auger (PS-995)
- 1" U- Grease Cutter (PS-837)
- 1" Arrowhead Grease Cutter (PS-030)
- 1-3/8" U-Grease Cutter (PS-005)
- 1-3/8" Arrowhead Grease Cutter (PS-035)
- Pin Key (PS-A13)

PART NUMBER
PS-240

Arrowhead Cutter



PART NUMBER	CABLE	SIZE	CONNECTOR SIZE
PS-880	1/2"	1-3/4"	7/8"



Generic Ridgid Style

Gorlitz Sewer & Drain

Original Manufacturer • Made in U.S.A.

Also fits Spartan

Cable End Fitting

For Blade Attachment



PART NUMBER	SIZE
E01	3/8" Cable
E03	1/2" Cable
E04	11/16" Cable

Cable Connector

Slip Joint Style



PART NUMBER	SIZE
E05	5/8" Cable
E06	11/16" Cable

Regular Chuck

For Blades K06 thru K14



*Allen Screw Only

PART NUMBER
E08
F515*

Finger Leader

Flexible Leader Guides
3/8" and 1/2" Cables thru Bends



PART NUMBER
E10

Full Circle Blades



PART NUMBER	SIZE	CABLE SIZE
K03	1-1/2" Plain	For 3/8", 13/32", & 1/2"
K03A	1-1/2" Plain-Thin	
K04	2" Plain	For 5/8", 11/16", & 3/4"
K07	2" Plain	
K10	2-1/2" Teeth	
K11	3" Teeth	

Pear Shape Blades



PART NUMBER	SIZE	CABLE SIZE
K05	3" Plain	For 3/8", 13/32", & 1/2"
K08	3" Plain	
K08A	4" Plain	For 5/8", 11/16", & 3/4"
K13	2" Teeth	
K14	3" Teeth	
K14A	4" Teeth	

Half Circle Blades



PART NUMBER	SIZE	CABLE SIZE
K01	1-1/2" Plain	For 3/8", 13/32", & 1/2"
K02	2" Plain	
K06	2" Plain	For 5/8", 11/16", & 3/4"

Heavy Duty Pear Shape Blades

For 5/8", 11/16", and 3/4" Cables
1" Wide Blades



PART NUMBER	SIZE
K15	3" Teeth
K16	4" Teeth

U-Shape Teeth Blades

For 5/8", 11/16", and 3/4" Cables



PART NUMBER	SIZE
K12	4" Teeth



Gorlitz Sewer & Drain

Original Manufacturer • Made in U.S.A.

Also fits Spartan

Grease Blade

For 5/8", 11/16", and 3/4" Cables



PART NUMBER	SIZE
K18	4"

Heavy Duty Cone Chuck

For 4" Diameter Sewer Lines
Accepts 3 Blades



PART NUMBER	DESCRIPTION
E09A	Chuck Only
K19	4" Single Knife-Teeth
K21	4" Single Knife-Coined

Cable Repair Splices

Repair 3/8" to 3/4" Cables



PART NUMBER	CABLE SIZE
S01	3/8"
S03	1/2"
S04	5/8"
S05	11/16"
S06	3/4"

Blade Holders

For 3/4" Wide Blades
Use to clean drain lines above 3"



*Fits Spartan

PART NUMBER	SIZE
E60	For Blades K06-K14
E61	For Blades K09-K12
E59*	Hex Chuck Blade Holder

Replaceable Downhead



PART NUMBER	CABLE SIZE
DHR04	3/8"
DHR05	1/2"

Spearhead



PART NUMBER	USE CONNECTOR
E22	E05 - 5/8"
	E06 - 11/16"
	E08 - Chuck
E69	E53 - 5/8"
	E54 - 11/16"
	E55 - 3/4"

11 Piece Toolset - 3/8" Cable

- One each Blades K01 thru K05
- 3 - E01 (Cable End Fitting)
- 2 - S01 (Cable Repair Splices)
- DHR04 (Replaceable Downhead)



PART NUMBER
GKIT38

11 Piece Toolset - 1/2" Cable

- One each Blades K01 thru K05
- 3 - E03 (Cable End Fitting)
- 2 - S03 (Cable Repair Splices)
- DHR05 (Replaceable Downhead)



PART NUMBER
GKIT12



Professional Auger Set



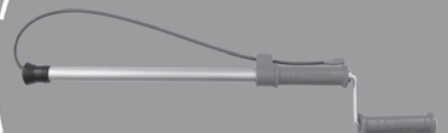
#PS-6CADH



#PS-BAG



#PS-4TUA



- 6' Telescoping cable
- 1-1/8" Heavy duty guide tube
- Large handle for easy grip and better feel
- Drop head cable end

- Keeps water and waste from dripping on the floor while exiting jobs
- Inside pockets for essential items, handles, and shoulder strap for easy carry
- Holds two augers
- Air holes to help dry

- 4' Telescoping cable
- 1-1/8" Heavy duty guide tube
- Large handle for easy grip and better feel
- Drop head cable end

PART NUMBER	DESCRIPTION
ProAugSet	3- Piece Professional Auger Set
PS-BAG	Auger Bag

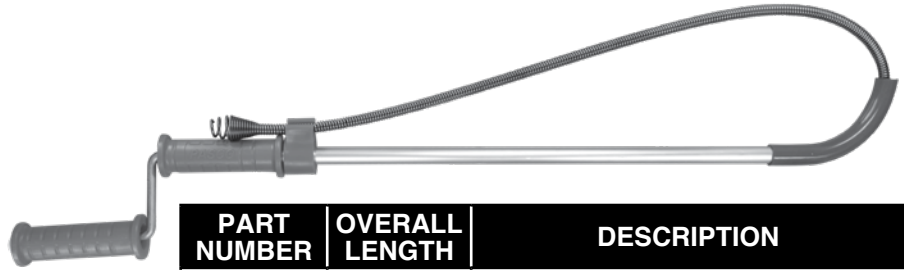
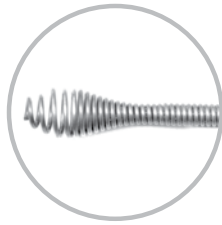


Closet & Urinal Augers

Regular Head

- Professional plumber style
- Cable hold clip molded on handle
- Tempered spring steel
- Vinyl grips and bowl guard

6' model has telescoping cable feature:
press button on shaft and pull cable out



PART NUMBER	OVERALL LENGTH	DESCRIPTION
PS-3CA	3'	3/4" Guide Tube
PS-6CA	6'	1-1/8" Heavy Duty Guide Tube

Drop Head

- Professional plumber style
- Cable hold clip molded on handle
- Tempered spring steel
- Vinyl grips and bowl guard

6' model has telescoping cable feature:
press button on shaft and pull cable out

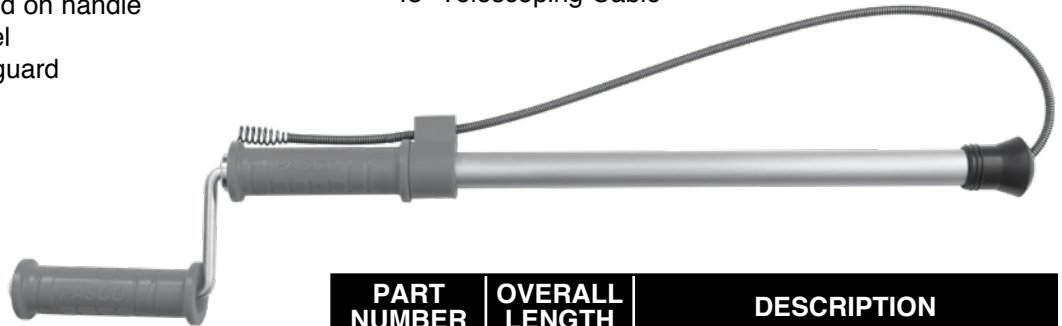


PART NUMBER	OVERALL LENGTH	DESCRIPTION
PS-3CADH	3'	3/4" Guide Tube
PS-6CADH	6'	1-1/8" Heavy Duty Guide Tube

Urinal - Regular Head

- Professional plumber style
- Cable hold clip molded on handle
- Tempered spring steel
- Vinyl grips and bowl guard

48" Telescoping Cable



PART NUMBER	OVERALL LENGTH	DESCRIPTION
PS-4TUA	48"	1-1/8" Heavy Duty Guide Tube



Master Plumbers Force Cup

- Heavy duty
- Ribbed cup for strength
- Provides big “blast” for all stoppages
- High quality rubber
- 19” handle



PART NUMBER
4636

Heavy Duty Closet Bowl Force Cup

- Extra large for best pressure with positive seal
- Designed for all types of toilets
- High quality black rubber
- 19” handle



PART NUMBER
4637

Economy Force Cup

- High quality red rubber
- Available in 5” or 6” diameter
- 19” handle



PART NUMBER	SIZE
4640	5”
4641	6”

Plunger Bag

- Durable design - easy to wash out
- Mesh bottom to help dry
- Helps keep water + waste from dripping
- Easy carry handle
- Holds multiple styles and size plungers



PART NUMBER
4687

Plunger Bag Kit

- Durable design - easy to wash out
- Mesh bottom to help dry
- Helps keep water + waste from dripping
- Easy carry handle
- Comes with plunger #4636



PART NUMBER
4687-K



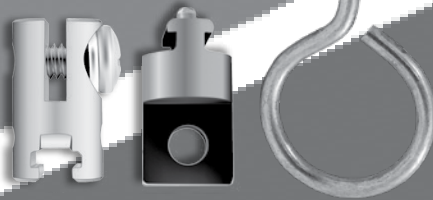
GEN-RID

Drain Snake Tool Adapters

- Adapts General Heads to Ridgid Cables
- Adapts Ridgid Heads to General Cables
- Made of Tempered Tool Steel
- Comes With Ridgid Release Key (PS-A13)
- Fits 5/16", 3/8" and 1/2" cables

Only Available from PASCO

Drain Snake Tool Kit PS-23
Both Adapters



PS-11



PS-12



PART NUMBER	Description
PS-23	Drain Snake Tool Adapters
PS-11	Adapts Ridgid Heads to General Cables
PS-12	Adapts General Heads to Ridgid Cables

Hand Pumps

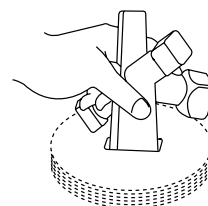
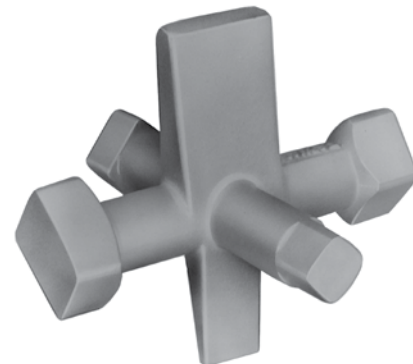
- Use to drain or transfer water
- Large volume of water drawn with each pull of the handle



PART NUMBER	HOSE LENGTH
136PF-6	6 ft.

Eureka Cleanout Plug Wrench

- This unique tool fits either slotted or square countersunk cleanout plugs
- Strong, malleable iron
- Fits slotted or square



PART NUMBER
4567



REAL-TITE® PLUGS 
 INCORPORATED **The Original.**

The Reusable, Code-Approved, Expansion Plug That Solves ALL Your Problems.

A Tight, Dependable Seal for Virtually Any Opening

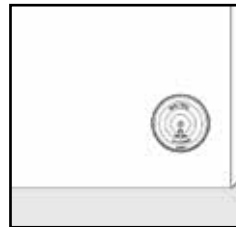
This means you can seal any opening permanently, regardless of the condition or threads.

Unique design prevents moisture from being revealed to the nut or stainless steel bolt. This allows for removal of a plug in seconds, even after long periods of time in service.

Seals 3 Ways: 3 embedded o-rings, 2 sealing ridges, and 3/16" neoprene gasket pressure expanded to create a permanent seal.

COUNTERSUNK-ABS PLASTIC TOP

- Uses a 5/32" allen wrench for installation and removal
- Designed for a "wall flush" finish



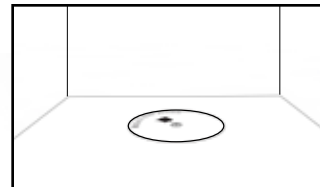
PART NUMBER	DESCRIPTION
CS15	1-1/2" Real-Tite Plug
CS20	2" Real-Tite Plug
CS25	2-1/2" Real-Tite Plug
CS30	3" Real-Tite Plug
*CS35	3-1/2" Real-Tite Plug
CS40	4" Real-Tite Plug



*Most Popular

FLOOR MOUNT-10 GAUGE STAINLESS STEEL TOP

- Uses a 5/32" allen wrench for installation and removal
- Designed for a "floor flush" finish
- Won't "Dimple" from foot or machinery traffic



PART NUMBER	DESCRIPTION
STCS15	1-1/2" SS Top Real-Tite Plug
STCS20	2" SS Top Real-Tite Plug
STCS25	2-1/2" SS Top Real-Tite Plug
STCS30	3" SS Top Real-Tite Plug
*STCS35	3-1/2" SS Top Real-Tite Plug
STCS40	4" SS Top Real-Tite Plug



*Most Popular



**The Original Pumie®
Scouring Stick**

- Cleans where chemicals fail
- Removes stubborn lime, rust and drain snake marks from porcelain & ceramic
- Plastic handle style for hard to reach spots



PART NUMBER	HANDLE	DISPLAY PACK
3125	NO	12
3126	YES	6



Atlas® Fit 300 - Blue

The original palm coated glove!

- Natural rubber coating
- Breathable back
- Seamless knit liner
- Outstanding grip
- Ergonomic fit

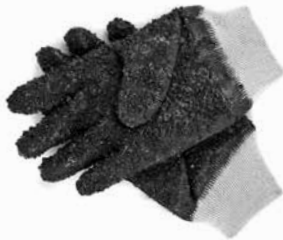


PART NUMBER
300M
300L
300XL

Drain Snake Glove

Preferred by Plumbers

- PVC/NBR blend coating with PVC chips for non slip
- Chemical Resistant
- Cuffed wrist



PART NUMBER	PACK QTY
GL4100	1

**Atlas® Nitrile Tough
Gloves - Black**

Long cuff & dark grey coating

- Grips
- Won't slip when wet
- Durable
- Resists solvent cement
- Packed 12 pair



PART NUMBER
370M
370L
370XL

Drain Snake Glove

Preferred by Plumbers

- PVC/NBR blend coating with PVC chips for non slip
- Chemical Resistant
- Mid-forearm length



PART NUMBER	PACK QTY
GL4112	1

Atlas® Nitrile 380 - Blue/Black

Waffle Pattern Palm

- Lint free nylon liner
- Compressed air-infused foam nitrile coating
- Waffle pattern provides good grip in wet conditions
- Heavy duty
- Packed 12 pair



PART NUMBER
380M
380L
380XL



Pipe Protection Tape System

PASCO "All Weather" Pipe Protection Tape is a pure physical barrier that is moisture proof, inert and non-conducting. Whether the need is to protect overhead piping in industrial applications, exposed pipe anywhere, or direct burial piping, this tape gives a completely uniform coating all around.



PASCO's "All Weather" Pipe Protection Tape is a tough PVC plastic tape with special high tack adhesives formulated to resist corrosion. It is easy to apply by hand with no special tools or equipment. It provides positive protection against abrasion and corrosive action for steel pipe, fittings & electrical conduit systems.

Uses:

- Corrosion protection for metal piping systems above and below ground.
- Corrosion protection for fittings and joints on mill coated pipe.
- Corrosion protection of electrical conduit & fittings.

Features:

- Resists corrosive action by salt water, soil acids, alkalis and salts.
- Prevents dielectric corrosion between buried steel pipe and soil minerals.
- Resists the effects of outdoor weathering and sunlight exposure.
- High abrasion resistance.
- Highly conformable over a wide temperature range.
- Excellent insulating properties.
- Resists commonly encountered chemicals and chemical vapors.
- Protects against fungus and bacteria.
- Standard widths.



IMPORTANT:

Always use PASCO Pipe Primer on ALL Pipe-wrapping Jobs!

*Custom Sizes Available

BLACK PIPE WRAP TAPE PRINTED

PART NUMBER	WIDTH	MIL	LENGTH	ROLLS PER CASE
9051-R	1"	10	100'	48
9052-R	2"	10	100'	24
9054-R	4"	10	100'	12
9056-R	6"	10	100'	8
9061-R	1"	20	100'	48
9062-R	2"	20	100'	24
9064-R	4"	20	100'	12
9066-R	6"	20	100'	8
9068-R	8"	20	100'	6

Meets installation standard: IAPMO® IS 13-2000
PASCO can cut tape in any width. Contact us with your requirements.



Pipe Wrap Primer

- **PASCO** Pipe Primer is a quick drying rubber base primer that permeates pits and irregularities on the pipe surface and prepares the metal for tape application.
- **PASCO** Pipe Primer is made to be compatible with the adhesives on **PASCO** Pipe Protection Tape.
- **PASCO** Pipe Primer is easily brushed on the pipe and fittings. The application of the primer enhances the surface preparation and adds strength adhesion at low cost.
- Pint and quart sizes with dauber.



IMPORTANT:
Always use PASCO Pipe Primer on ALL Pipe-wrapping Jobs!

PART NUMBER	SIZE	COVERAGE IN SQUARE FEET*
9043	Pint	65
9046	Quart	125

* Approximate:
Depends on surface condition of the pipe

Pipe Tape Coverage Chart

APPLICATION DIRECTIONS

1. Surfaces to be wrapped must be clean and dry. Any oil or grease must be removed.
2. Any burrs or sharp edges must be removed or smoothed.
3. Before tape application, all bare pipe and fittings to be wrapped must be coated with PASCO PIPE PRIMER.
4. Weld beads shall be covered with one wrap or layer of tape prior to spiral wrapping.
5. Tape shall be spirally wrapped the length of the pipe using one half lap for double thickness or 1/2" overlap, depending on the individual installation.
6. When pipe is mill coated, tape must be used on the fittings and joints. To wrap a joint, first coat joint with primer. Joint shall be wrapped with tape spirally beginning on the mill coating 3" from joint. Cover joint and end tape on mill coating 3" past joint.

1 Square = 100 Square feet of tape
1" Width = 12 Rolls per square
2" Width = 6 Rolls per square
4" Width = 3 Rolls per square

Pipe Diameter		RECOM- MENDED TAPE WIDTH	MINIMUM TAPE OVERLAP	SQUARES OF TAPE NEEDED PER 100 LINEAL FEET OF PIPE	SQUARES OF TAPE NEEDED PER 100 LINEAL FEET OF PIPE	NUMBER OF SQUARE FEET PER 100 LINEAL FEET OF PIPE
ID	OD			MINIMUM OVERLAP	HALF- LAPPED	
1/2"	.84"	1"	1/4"	.294	.44	22.0
3/4"	1.05"	1"	1/4"	.367	.55	27.5
3/4"	1.05"	2"	3/8"	.338	.55	27.5
1"	1.32"	1"	1/4"	.461	.691	34.6
1"	1.32"	2"	3/8"	.425	.691	34.6
1"	1.32"	4"	1/2"	.395	.691	34.6
1-1/4"	1.66"	2"	3/8"	.535	.869	43.5
1-1/4"	1.66"	4"	1/2"	.497	.869	43.5
1-1/2"	1.90"	2"	3/8"	.612	.995	49.7
1-1/2"	1.90"	4"	1/2"	.568	.995	49.7
2"	2.38"	2"	3/8"	.767	1.246	62.3
2"	2.38"	4"	1/2"	.712	1.246	62.3
2-1/2"	2.88"	2"	3/8"	.928	1.508	75.4
2-1/2"	2.88"	4"	1/2"	.862	1.508	75.4
3"	3.50"	2"	3/8"	1.128	1.833	91.6
3"	3.50"	4"	1/2"	1.047	1.833	91.6
3-1/2"	4.00"	2"	3/8"	1.289	2.094	104.7
3-1/2"	4.00"	4"	1/2"	1.197	2.094	104.7
4"	4.50"	2"	3/8"	1.450	2.356	117.8
4"	4.50"	4"	1/2"	1.346	2.356	117.8
4-1/2"	5.00"	4"	1/2"	1.496	2.618	130.9
5"	5.75"	4"	1/2"	1.667	2.916	145.8
6"	6.63"	4"	1/2"	1.984	3.471	173.6
6"	6.63"	6"	1/2"	1.894	3.471	173.6
7"	7.63"	4"	1/2"	2.283	3.995	199.7
7"	7.63"	6"	1/2"	2.179	3.995	199.7
8"	8.63"	4"	1/2"	2.582	4.519	255.9
8"	8.63"	6"	1/2"	2.465	4.519	255.9



Pipe Thread Seal Tape - PTFE

- Seals and makes joints leaktight regardless of pipe material or fluid. Just a quick wind around male joint. This pure PTFE tape resists temperatures from -450° to +500° F. Ideal for steam lines, heating, cooling and cryogenic systems, oil refinery pipes, aircraft fittings and missile systems. Averages less than a cent per application, eliminates liquids, pastes and brushes.
- **THE VERSATILE SEALANT**
PASCO PTFE tape will seal all threaded joints-any material: copper, brass, cast iron, aluminum, monel, stainless steel, plastic, synthetic rubber, glass, or ceramic. In addition to resisting high and low temperatures, it can be used for high pressure or vacuum-liquid or gas.
- **KEEPS THREADS INTACT**
 Self lubricating **PASCO** PTFE tape makes assembly or disassembly easy. Eliminates the need for over tightening. Prevents galling, seizing and cross threading.
- **MINIMUM MAINTENANCE**
 PTFE tape remains impervious to the most corrosive fluids for the life of the joint. Won't dry out, crack, melt, or dissolve. Stands up to maximum pressures and vibration.
- **MEETS MIL SPEC T-27730A**



WIDTH	260"	520"
1/2"	9010-25	9014-25
1/2"	9010-100	9014-100
3/4"	9020-25	9024-100
3/4"	9020-70	—
1"	9030-50	9034-50

Yellow Gas Line Thread Seal Tape - PTFE

- Specifically designed to seal threads in natural gas, propane, butane, kerosene and petroleum oil lines.
- **MEETS MIL SPEC T-27730A**
- For use on threads NOT exceeding 1-1/2"



PART NUMBER	WIDTH x LENGTH
9000-100	1/2" x 260'



Felt Pipe Wrap

- Adhesive backed grey wool felt
- Soundproofs and insulates pipe
- Helps prevent pipe clatter
- Self-adhering adhesive peel back
- Stops electrolysis
- Used in pipe hangers & pipe clamps
- 2" wide x .250" thick x 25' coil



PART NUMBER	WIDTH	LENGTH
2640	2"	25'

Cloth and Aluminum Foil Duct Tape

- Prevents heating and cooling loses
- Blocks odors and moisture
- 4 Mil.
- Sold by the roll
- 24 Rolls per case



PART NUMBER	SIZE	MATERIAL
9119-R	2" x 60 Yard	Cloth
9120-R	2" x 60 Yard	Cloth
9123-R	2" x 50 Yard	Foil



Rapid Seal

- **Forms a solid piece of rubber in 30 minutes**
- Works on dirty, wet, oily, surfaces. No special surface preparation required. Stops leaks in copper, PVC,
- Galvanized, ABS, Brass, CPVC, PVC, Copper pipe.
- Works under water
- Self-bonding
- No messy epoxy
- UL listed
- Suitable for voltage to 600V
- **Works at temperatures of -27° to 212°**
- **Holds up to 100 PSI**
- **Convenient size 1" x 16'**

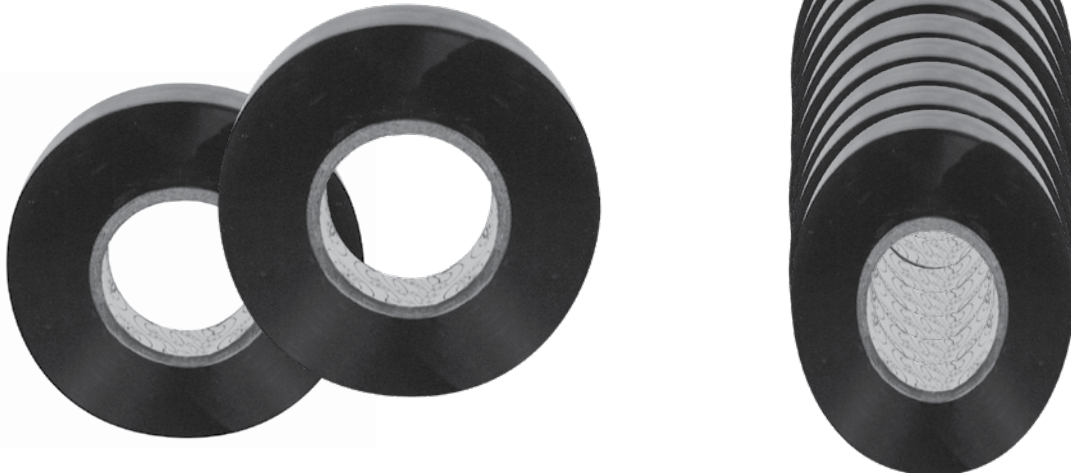
IMPORTANT NOTICE:
Rapid Seal **MUST NOT** be used to seal items that will come in contact or be exposed to gasoline, hexane or toluene.



PART NUMBER
59054

Vinyl Electrical Tape

- Multi-Climate
- 3/4" x 60 feet
- 3 mil.
- Sold in packs of 10



PART NUMBER
1716



Polyurethane Expanding Foam

- Insulates to an R value of 5
- UL classified
- Easy to use, multi-purpose urethane foam
- Unlike ordinary sealants, it expands three times its original volume
- Adheres to all building materials except Teflon, silicone and polyethylene
- Seals by expanding into gaps, cracks and crevices
- 12-month limited shelf life

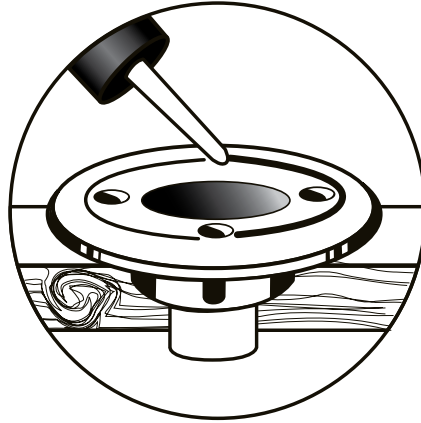


PART NUMBER	SIZE
12333	12 oz.
24333	24 oz.



Shower Pan Caulk

- To insure a waterproof seal between the lower drain flange and the pan material, apply a small ring of #1709 caulking on top of the lower drain flange.
- Can be used anywhere an economical, weather resistant, long life sealant is required



PART NUMBER	SIZE
1709	10 oz. Cartridge

**Plumbers Silicone Sealant
FDA/USDA Approved**

- FDA/USDA Approved
- 100 % Silicone
- Resistant to mold & mildew
- Excellent adhesion
- Forms a waterproof seal
- Permanently flexible
- Resistant to household cleaning chemicals
- Will not yellow or discolor
- Fast cure



PART NUMBER	SIZE	COLOR
1708	2.8 oz. Cartridge	White
1710	2.8 oz. Cartridge	Clear
1712	10 oz. Cartridge	White
1713	10 oz. Cartridge	Clear

Plumbers Goop

Plumbers Goop Seals:

- Dry porcelain
- Urinal spud washers
- Tank-to-bolts
- Drain gaskets
- Ceramic tile
- Bath overflow washers
- Gaps around exposed hose bibbs



PART NUMBER	SIZE
1711	3.7 oz. Tube



Pressure Gauges

General purpose utility gauges ASME grade B 3-2-3% - Quality & Economy

Typical Applications:

Air Conditioning, Heating & Hydraulic Systems, Sprinkler & Irrigation,
Pressure Regulators, Water Pumps, Air Line Testing

All gauges to be installed in accordance with ANSI B40.1. All gauges are precision instruments and must be handled with care. A failure resulting in injury damage may be caused by pressure beyond top of scale, excessive vibration or pulsation excessive temperature, corrosion of the pressure containing parts or other misuse. **DO NOT USE ON OXYGEN SERVICE**

Air Test Gauge Assembly

- All parts precision made and assembled with sealant
- 3/4" FPT
- 2" Gauge
- 1427-A is an Ashcroft Gauge



PART NUMBER	PSI	INCREMENTS
1427	0-30#	1/2#
1427-A		
1420	0-60#	1#
1421	0-100#	1#

Air Test Gauge Assembly

- 3/4" or 1" FPT
- All parts precision made and assembled with sealant
- 2" Gauge
- Bell reducer type
- * Add -B for bottom mount



Photo shown is top mount

PART NUMBER	PSI	FPT SIZE
1410	1/10-15#	3/4"
1411*	0-30#	
1412*	0-60#	
1413	0-100#	
1414	0-30#	1"
1415	0-60#	

1/10 PSI Air Test Gauge Assembly

- 15 # gauge scaled in 1/10# increments
- Complies with Section 319.0 of Uniform Plumbing Code
- All parts precision made and assembled with sealant
- 3/4" FPT
- 2" Gauge



PART NUMBER	PSI	INCREMENTS
1726-10G	0-15#	1/10#

Low Pressure Air Test Gauge Assembly

- 2-1/2" - 5# low pressure gauge
- Complete with body and air valve



PART NUMBER
1736-T

Lazy Hand Water Test Gauge

- 3/4" FHT brass swivel connection
- Filter washer

Regular pressure hand to peak operating or surge pressure point where it remains until you manually reset it. Excellent to determine if P/T valve is leaking from failure or if leaking is caused by surge or excessive pressures (gauge attached to boiler drain overnight) LAZY hand operates over entire gauge range.



PART NUMBER	PSI
1423	0-160#
1428	0-300#

Water Test Gauge

- 3/4" FHT brass swivel connection
- Filter washer



PART NUMBER	PSI	GAUGE SIZE
1431	0-160#	2"
1432	0-300#	2"
1440	0-160#	2-1/2"
1430	0-300#	2-1/2"

Connection Only (swivel)

PART NUMBER	DESCRIPTION
1402	Nut and Bushing 3/4" FHT x 1/4" FPT

Separate Air Test Gauge Components



PART NUMBER	DESCRIPTION
1404	Air test gauge body ONLY
1405	Air test gauge body w/ air valve
1406	1/8" Air valve with cap ONLY
1417	3/4" Bell reducer with air valve



PASCO Pressure Gauges

- Steel case
- 1/4" MPT brass connection
- Plastic face



* 2" Gauge is divided into 1# increments

PSI	GAUGE DESCRIPTION		
	2"	2-1/2"	3-1/2"
15#	1726-10	—	—
30#	1727	1739	1751
60#	1728*	1740	—
100#	1729	1741	1753
160#	1730	1742	—
200#	1731	1743	—
300#	—	1744	—
400#	—	—	—
600#	—	—	—

Ashcroft Pressure Gauges

- Plastic face
- 1/4" MPT brass connection



* 2" Gauge is divided into 1# increments

PSI	GAUGE DESCRIPTION	
	2"	2-1/2"
15#	1726-A	1738-A
30#	1727-A	1739-A
60#	1728-A*	1740-A
100#	1729-A	1741-A
160#	1730-A	1742-A
200#	1731-A	1743-A
300#	1732-A	1744-A

5 PSI Low Pressure Test Diaphragm Gauge

- Detects pressure in fractions of ounces
- 2-1/2" diameter
- 1/4" MPT brass connection
- Extremely accurate



PART NUMBER
1736

2-1/2" Liquid Filled Pressure Gauges

- For use where gauge is exposed to corrosion, vibration and pulsation.
- Stainless steel case



1/4" Brass MPT

PART NUMBER	PSI
1772	0-30#
1773	0-60#
1774	0-100#
1776	0-200#
1777	0-300#

Compound & Vacuum Gauges

- 2-1/2" diameter
- 1/4" MPT brass connection
- Steel case



PART NUMBER	DRAIN CONNECTION
1422	30" Vacuum - 30#
1462-A	30" Vacuum - 30#
1463-A	30" Vacuum - 60#

Fire Protection Sprinkler Gauge

- 3-1/2" diameter
- 1/4" MPT brass connection
- FM approved
- UL listed



PART NUMBER	SYSTEM	PSI
1761-A	Wet	1/300#

Dial Type Thermometers

- Economical
- Back mount

Dual Scale:

- 40°-250°F, 0,-120°C, Accuracy to 1°
- 5° Increments
- 2-1/2" Face
- Brass wells
- Choice of adapters
- Thermometer can be removed from adapter for easy installation

Thermometers supplied complete with connection



Compliant

AB 1953

PART NUMBER	CONNECTION
1449	1/2" MPT
1449-C	Well ONLY

Compliant

AB 1953

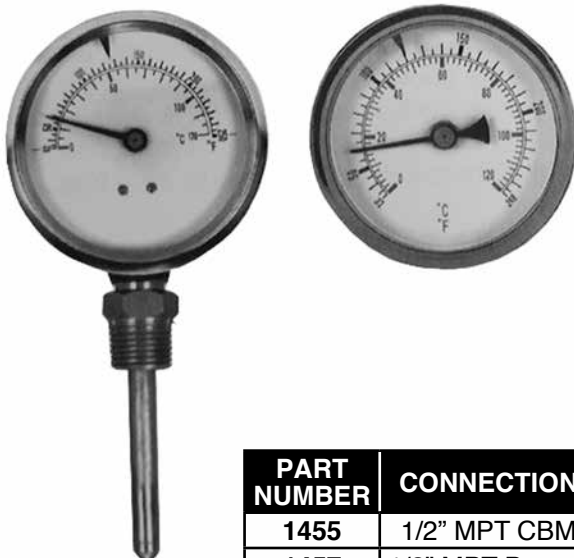
PART NUMBER	CONNECTION
1450	3/4" CWT Solder
1450-W	Well ONLY

Dial Type Thermometers

- Superior quality
- Back or bottom mount

Dual scale:

- 32°-250°F, 0°-120°C
- 3-1/2" diameter
- 1/2" MPT brass connection
- 2-1/2" brass element (beyond MPT)
- Corrosion resistant steel case



PART NUMBER	CONNECTION
1455	1/2" MPT CBM
1457	1/2" MPT Bottom

Spring Strap-On Surface Thermometer

New!

This new thermometer is specifically designed to provide an economical and accurate surface temperature measurement on any 1/2" to 4" pipe: iron, plastic, steel or copper. Easy on, easy off!

- Dual Scale
40°C/240°F
0°C/120°C
- 5° increments
- Acrylic lens
- Accuracy +/- 3°



PART NUMBER	CONNECTION
1446	4 Stainless Steel Springs



Pigtail Siphons

- 1/4" IPS
- 600 PSI-750°F



PART NUMBER	MPT MATERIAL	STYLE
1459-B	Brass	Straight
1459	Steel	Straight
1460	Steel	Angle

Pressure Gauge Snubber

- Pulsation damper
- Protects air pressure gauges from sudden pressure surges
- 1/4" MPT x 1/4" FPT
- Brass

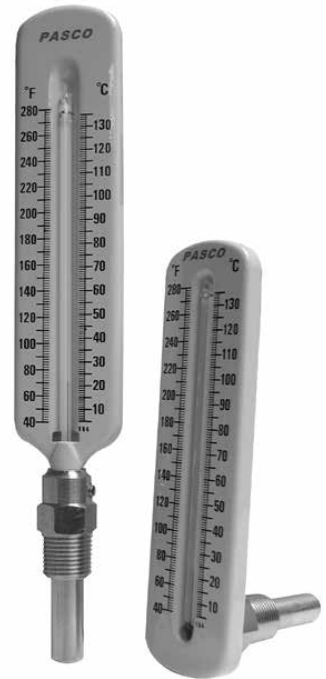


PART NUMBER
1469

Hot Water Thermometers

Dual Scale:

- 40° - 280°F
- 10° - 130°C
- 1/2" MPT connection
- 1442-1444 7" overall length
- 1443-1445 10-1/2" overall length



PART NUMBER	MPT MATERIAL	STYLE
1442	Steel	Angle
1444	Brass	Angle
1443	Steel	Straight
1445	Brass	Straight

Boiler Gauges Pressure/Temperature

Specially constructed for use on hot water heater boilers, these combination gauges give accurate indication of temperature and pressure. Gauges are designed to withstand the conditions normally encountered on domestic heating systems.

Dual scale:

- 60° - 260° F
- 20° - 120° C
- 3-1/2" diameter
- 1/2" MPT brass connection
- Steel case
- Glass face



PART NUMBER	PSI	CONNECTION AND ELEMENT LENGTH
1451	0-75 PSI	2-3/4" Bottom Mount
1452	0-75 PSI	2-3/4" Back Mount

Dual scale:

- 60° - 320° F
- 20° - 160° C
- 2-3/4" diameter
- 1/4" MPT brass connection
- Center backmount
- Polycarbonate face
- Back mount only



PART NUMBER	PSI	CONNECTION AND ELEMENT LENGTH
1435	0-75 PSI	2-1/2" Back Mount
1437	0-75 PSI	3-1/2" Back Mount



The following information has been gathered from various sources, including AMETEK's Pressure Gauge Handbook and ANSI B-40. The descriptions and topics mentioned cover the particular gauges that are found in **PASCO's** catalog.

Commercial Gauges:

Gauges found on much of the equipment used in manufacturing plants, stores, garages, etc. are classified as commercial gauges or general purpose gauges. Typical equipment uses include refrigeration units, pumps, compressors and fire extinguishers. In such applications, although the gauges may be ruggedly built, service conditions are not expected to be severe. These gauges are of Grade B accuracy and could have metal or plastic cases and glass or plastic faces.

Commercial gauges are low in cost and designed without refinements to simplify maintenance or repair due to the fact that it is less expensive to replace them than to repair them. Not for use on oxygen systems.

Grade B Gauges

GRADE B Gauges are used in the above mentioned general purpose applications. These gauges are often referred to as 3-2-3 gauges. The reason is that they have a an accuracy of 2% of span over the middle half of the scale and 3% of span over the first and last quarters of the scale. Grade B gauges are not high accuracy gauges, but suitable for commercial installations.

Gauge Take Up

The average user believes that if the gauge pointer is not on zero, then the gauge must be faulty and will refuse to accept the gauge or try to reset the pointer, damaging the gauge. As shown above, a GRADE B gauge pointer could not be at zero and still be within spec because of the 3% accuracy at either end of the scale. A GRADE B gauge will begin more accurate measurement once the pointer goes past the first 3 graduations of the scale.

Frequency Of Graduations

The frequency of the graduation on a gauge should bear a relationship to the grade of accuracy. For example, it is somewhat misleading to divide the gauge into 100 increments if the gauge is made to GRADE B accuracy.

Pulsation Damper

Push checks or throttle plugs are the least expensive pulsation dampers. These checks are usually made from the same material as the pressure port of the gauge and they are easily installed by pushing into the gauge stem. The small hole in the check helps alleviate pressure surges or spikes which may cause gauge failure. In the event of gauge failure, due to fatigue or corrosion, the check may also limit the flow of pressure medium if the gauge develops a leak. The small diameter hole in the check may become clogged with debris preventing gauge operation. The gauge should be checked from time to time and this hole kept free of debris.

Gauge Valves or Cocks - IMPORTANT

Gauge valves or cocks are installed in the pipeline leading to the gauge. The valve provides a means of shutoff so that the gauge can be removed from the line without loss of pressure. The valve also allows the gauge to be completely closed off from the pressure source except when it is necessary to take a reading. Clogging of the gauge stem is minimized and the gauge will also be isolated from pressure surges or spikes. This arrangement will nearly prevent early or unexpected gauge failure and greatly extend the life of the gauge.

Siphons

The purpose of the siphon is to provide a heat exchanger where steam in the line can be condensed and the resulting condensate cooled prior to entering the pressure gauge. This prevents the melting of the soft soldered joints of the gauge which could cause gauge failure. A pigtail siphon is a coiled tube. This coil provides a large cooling surface and the trap created prevents the condensate from draining away. Incoming vapor must pass through this liquid seal and is cooled. This type of siphon is often referred to as a trap.

Installation

In all installations, ANSI B40. must be strictly followed. Always use the wrench flat on the gauge stem to tighten the gauge into the fitting. Never APPLY TORQUE TO THE GAUGE CASE. It is suggestion that a joint compound instead of thread sealing tape be used. Tape sheds can get into the pressure gauge port of the gauge causing blockage.



Manual Air & Condensate Vents

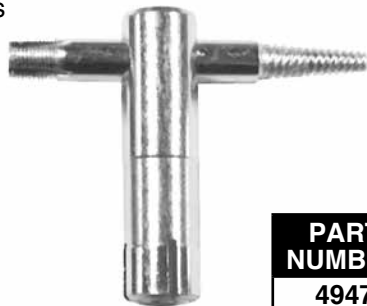
- 1/8" threads
- Nickle plated brass
- Qty pack 25



PART NUMBER	DESCRIPTION
605	Standard coin/key combo
605LK	Standard LESS key
606	Key ONLY

3 in 1 Radiator Air Vent Wrench

- Inserts
- Extracts
- Renews threads



PART NUMBER
4947

Radiator Valve Handles



PART NUMBER	DESCRIPTION
621	Three Lugs

Radiator Spud Wrench for 1/2" - 2" Spuds



PART NUMBER
4558

Inspection Mirror - Telescoping


- Fully adjustable
- 1-1/2" Diameter mirror
- Individual display card



PART NUMBER	LENGTH
4914	24"



40 Mil Red Shower Pan Liner




Available in Red & Gray
IAPMO Listed

PART NUMBER	WIDTH	LENGTH
3045	48"	80 Ft.
3047	60"	
3049	72"	

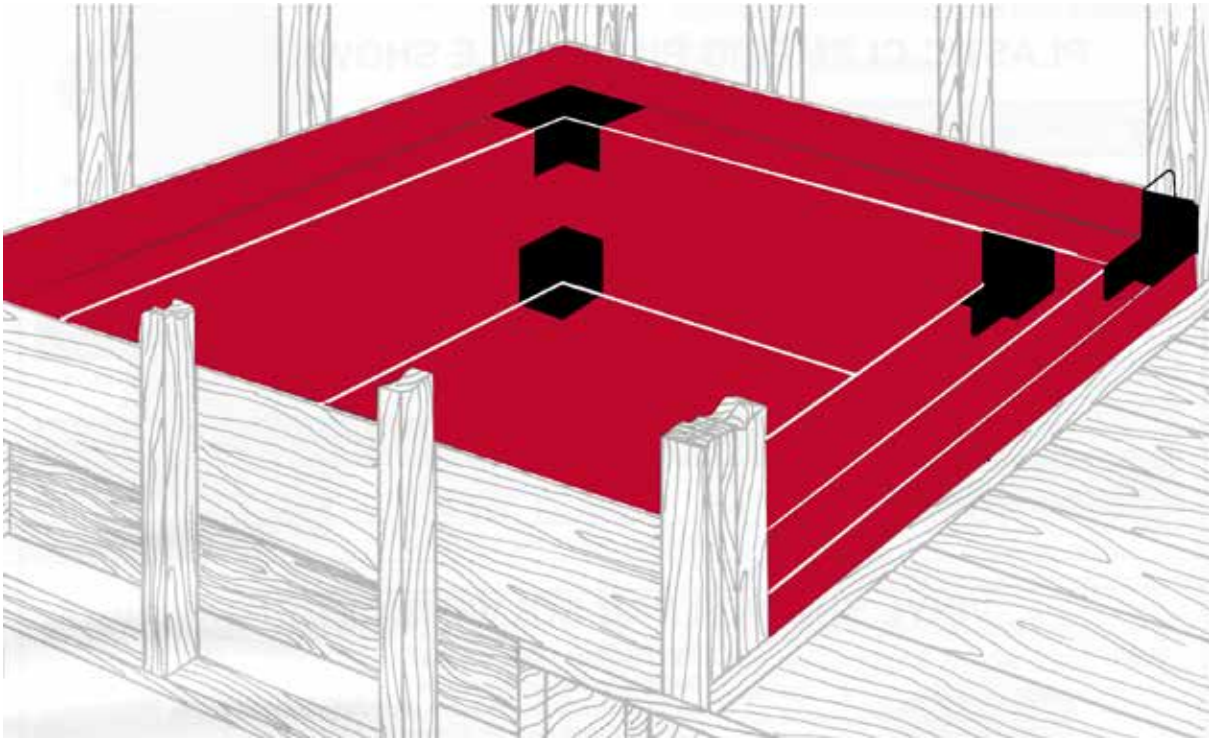
PART NUMBER	WIDTH	LENGTH
3045-40	48"	40 Ft.
3047-40	60"	
3049-40	72"	

30 Mil Black Shower Pan Liner



IAPMO Listed

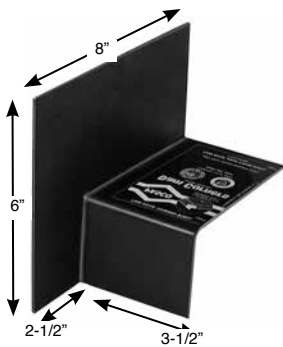
PART NUMBER	WIDTH	LENGTH
3018	60"	80 Ft.
3020	72"	



This type of installation will probably never exist. It is to illustrate all the corner applications.

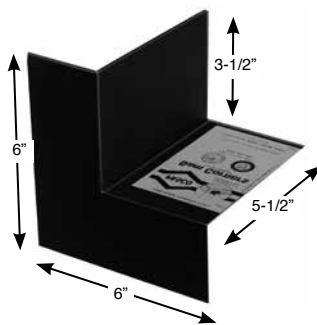
PRE-FAB CORNERS

3000



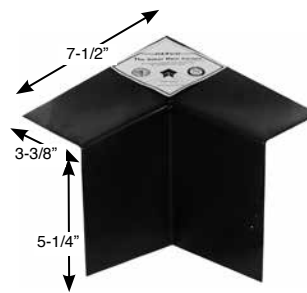
Flush Dam Corner
Use where a flat wall or stall backing board meets a dam at a 90° angle.

3002



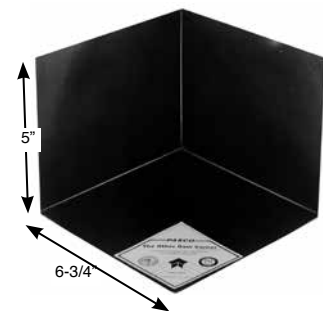
Return Dam Corner
Use where wrap-around protection is necessary.

3003



Top Dam Corner
Use where a wide 90° top corner of a two dam stall or roman tub meet.

3005



Inside Corner
For deep tubs. Prevents folded pan buildup in corners.



Vinyl Shower Pan Cement



**PART
NUMBER**
3008

Pint size only

DIRECTIONS FOR USAGE:

1. Surfaces to be joined must be clean and dry.
 2. Apply cement with dauber or short natural bristle brush. If cement appears jellied, it may be thinned by adding a small amount of acetone.
 3. To join sheets allow a 4" minimum overlap. Apply a thin even coat of cement to both surfaces to be joined. The entire surface of material to be joined must be covered with cement. Apply the cement to short lengths of material, not to exceed 3' at a time.
 4. Join cemented surfaces as quickly as possible before cement dries. For seams exceeding 6' in length, use a weighted, smooth flooring roller to facilitate bonding material.
 5. Apply a wide bead of cement to the entire length of the overlap. If material has been joined outside of installation area, apply the bead to both top and bottom edges of the overlap.
 6. Do not disturb or try to peel joined surfaces. The cemented seam should fully cure in 24 hours.
- NOTE: COMMON PVC PIPE CEMENT WILL NOT SOLVENT WELD VINYL SHOWER PAN LINER

Shower Pan Caulk

Excellent for sealing between shower pan liner and shower drains

Can be used anywhere an economical, weather resistant, long life sealant is required

PART NUMBER	SIZE
1709	10 oz Cartridge



Plastic Shower Drain

Clamping Ring Style for Ceramic Tile Showers
• Add suffix BN for Brush Nickel



4" diameter strainer
2" IPS plastic tailpiece allows adjustments to desired level
Fits over 2" or inside 3" Schedule 40 DWV

PART NUMBER	MATERIAL	DRAIN CONNECTION	TOP FLANGE DIAMETER	BOTTOM FLANGE DIAMETER
8015	PVC	2"-3" PVC	5-1/4"	6-1/2"
8016	ABS	2"-3" ABS		
8019	4" STAINLESS STEEL STRAINER			

2" Quick Connect Shower Drain



Protected with TechCoat finish

Quick Clamping Gasket And Collar For Ceramic Tile Showers

Clamping collar securely attaches drain to drain line

Speeds installation

Extra heavy (.050) strainer

PART NUMBER	TOP FLANGE DIAMETER	BOTTOM FLANGE DIAMETER
7990	5-1/2"	7"

"Quick Test" Shower Drain



For Ceramic Tile Showers
Threaded for test nipple
Extra heavy (.050) strainer

Protected with TechCoat finish

PART NUMBER	DRAIN CONNECTION
8006	2" IPS
8007	1-1/2" IPS
8008	2" CAULK
8012	2" NO-HUB

2" Quick Set Shower Drain



Internal locknut & gasket

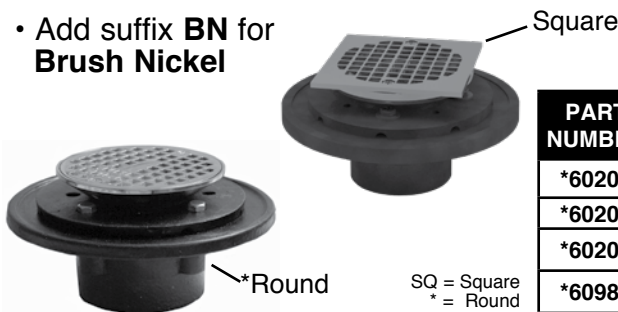
Protected with TechCoat finish

For Ceramic Tile Showers
Internal locknut and gasket for 2" DWV
Extra heavy (.050) strainer

PART NUMBER	TOP FLANGE DIAMETER	BOTTOM FLANGE DIAMETER
8014	5-1/2"	5-1/2"

Shower & Floor Drain

• Add suffix **BN** for **Brush Nickel**



Adjustable strainer - 1-1/4" Adjustment
4-3/16" Heavy chrome plated brass strainer with brass spud

PART NUMBER	PART NUMBER	DRAIN CONNECTION	TOP FLANGE DIAMETER	BOTTOM FLANGE DIAMETER
*60201	60201SQ	2" INSIDE CAULK	5"	7"
*60203	60203SQ	2" IPS		
*60205	60205SQ	2" NO-HUB		
*60981	60981SQ	4-3/16" Threaded chrome plated brass strainer only		

SQ = Square
* = Round



History

In 1965, **PASCO** Specialty & Mfg., Inc. became the pioneer in the application of vinyl shower pan liner under a full mortar bed tile installation as a waterproofing alternative to the expensive and often unreliable hot mop, copper or lead sheets and composite methods. Since that date, **PASCO Vinyl Shower Pan Liner** has waterproofed over 6,000,000 ceramic tile shower stalls, gang showers, steam rooms and roman tubs.

Product Information

PASCO Vinyl Shower Pan Liner:

1. Meets or exceeds the specifications of ASTM D4551, which specifically covers vinyl shower pan liner.
2. Is manufactured from 100% Virgin Poly Vinyl Chloride Resin.
3. Is treated with biocides which prevent the growth of mold, mildew or fungus.
4. Is unaffected by concrete or cement.
5. The product maintains its integrity when installed in a damp, moist environment (the typical shower pan) away from the effects of sunlight and ozone. Under no circumstances should **PASCO Vinyl Shower Pan Liner** be used where there is direct exposure to the elements. Contact **PASCO** with specific requirements.

2 Different Thicknesses

Due to the multitude of plumbing code bodies and plumbing inspection jurisdictions, various thicknesses have been approved. **PASCO** offers the installer a choice of two thicknesses. Please check with local plumbing inspection department to be sure which thickness is approved. Regardless of the thickness, all **PASCO Vinyl Shower Pan Liner** is manufactured to the same exacting specifications.

Pre Fab Corners

PASCO is the only company that offers 4 styles of prefabricated shower stall corners (installation standard IS 4-92 of The Uniform Plumbing Code (UPC) requires the use of shower stall corners in shower pan installations). Folding **PASCO Vinyl Shower Pan Liner** at the corner of the dam and wall can sometimes present problems. These prefabricated corners allow the installer to properly seal those areas where bare wood may be exposed to moisture damage. Although each corner is designed for a specific application, the versatility and large size allows the installer to make a waterproof seal in virtually any corner.



Markings

PASCO Vinyl Shower Pan Liner is clearly marked with **PASCO's** company name, address, ASTM D4551, appropriate listing logos, thickness and width.

Typical Applications

Shower pans, gang shower pans, steam rooms, fountains, ornamental or reflecting pools. Any application of a full mortar bed (defined as any area requiring a minimum of 1" of mortar) and ceramic tile which requires a waterproof underlayment.

Installation

PASCO Vinyl Shower Pan Liner is relatively easy to install. However, the installer must be familiar with the step by step instructions contained in this brochure.

Installation of **PASCO Vinyl Shower Pan Liner** must be made in accordance with local plumbing codes. For technical, specification or installation assistance please contact **PASCO**.

Approvals and Listings

PASCO Vinyl Shower Pan Liner was first approved by the city of Portland, Oregon in 1966. The following are specific listings or approvals:

*30 mil and *40 mil - IAPMO File 2308

*40 mil complies with section 417.5.2.1 of the International Plumbing Code (IPC)

*NOTE: A layer of standard grade fifteen (15) pound asphalt impregnated roofing felt must be formed to the sub-base prior to installing the *30 mil material. Manufacturer furnished dam corners are required.



WARNING:

PASCO's Shower Pan Liner can expose you to chemicals, including DEHP, DINP, DIDP, Antimony Trioxide and Vinyl Chloride and Shower Pan Solvent Cement can expose you to chemicals, including Benzene and Formaldehyde which is known to the State of California to cause birth defects, reproductive harm and cancer. For more information, go to www.p65warnings.ca.gov

PASCO requires that its shower pan liner be installed by professional and licensed contractors only who are totally familiar with the proper installation requirements and the requirements of the local building or plumbing code jurisdiction.

Proper hand protection, such as disposal latex or nitrile gloves, and goggles to protect your eyes must be worn when installing this product.

Code recognized installation procedures are published in the Uniform Plumbing Code and are also available along with our Safety Data Sheets on our website at www.pascospecialty.com.

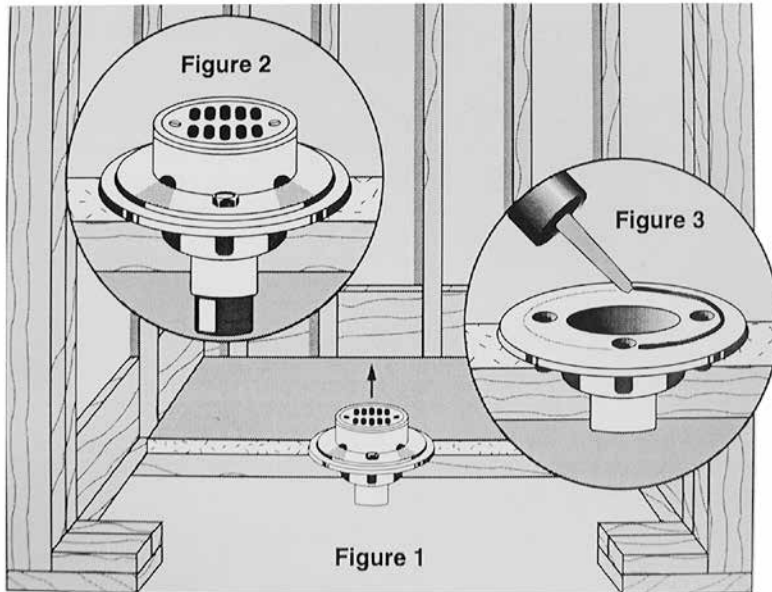
Please call 800-421-2053 for additional information.



Installation Instructions

PASCO Vinyl Shower Pan Liner is installed after the carpenters have finished the rough shower stall and dam. To provide support for the shower pan material, blocking of 2" x 10"s must be placed between the lower end of the studs, forming the shower stall. The outer face of the blocking must be flush with the studs, forming the shower stall. **PASCO Vinyl Shower Pan Liner** works with a clamping flange-type drain made of either cast iron or plastic.

Figure 2: The lower flange of the drain must be braced or resting on firm material to prevent any upward or downward movement.



1. Sloping Shower Stall Subfloor

To prevent puddling of moisture and to provide a smooth base for the shower pan material, a shower stall subfloor must be installed with a slope toward the drain of a 1/4" fall per foot.

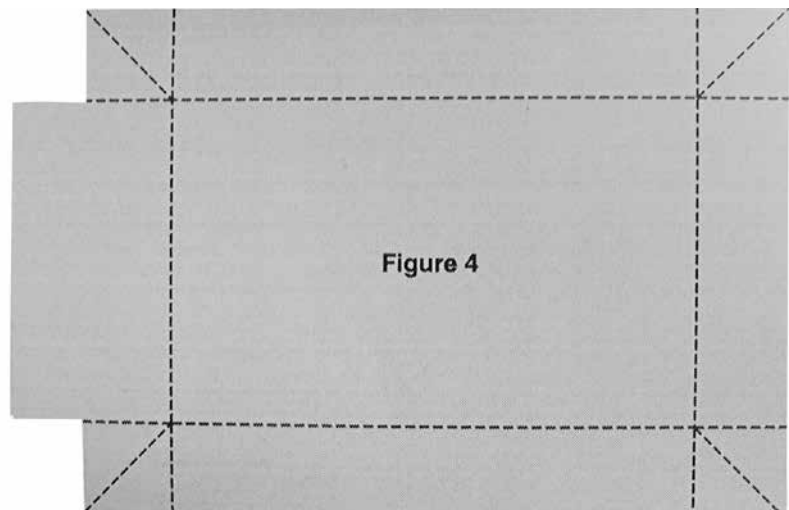
Figure 1: Construct the sloped subfloor using a mortar mixture of 1 part portland cement to 4 parts sand. Staple a layer of 15 lb. roofing felt to the subfloor of the shower stall. Cover the felt with the mortar mixture and trowel toward the drain. Be sure the drain is placed so that the top half edge of the drain flange is level with the top of the sloped subfloor. **Figure 2:** Allow the sloped subfloor to dry before proceeding with the installation of the shower pan liner. Be sure the sloped subfloor is dry and free of any debris such as nails, staples, etc. **PASCO Vinyl Shower Pan Liner** can be applied directly to the sloped subfloor surface.

2. Lining the Stall with the Vinyl Shower Pan Liner

Remove the top half of the shower drain. To insure a waterproof seal between the lower drain flange and the pan material, apply a small ring of **PASCO 1709** caulking on top of the lower drain flange. The ring of caulking must be on the outer perimeter of the drain bolt holes, **Figure 3**. Do not plug the bolt holes or weep holes with caulk. **IMPORTANT**-Do not use roofing mastic as a sealer around the drain. Measure the width and length of the stall area allowing 10 inches for each wall and about 16 inches for the dam. The dam must be covered by the liner on the inside face, top and outside face. After determining the amount of material needed, use a soft crayon or felt tip marker to draw a layout of the pan on the material,

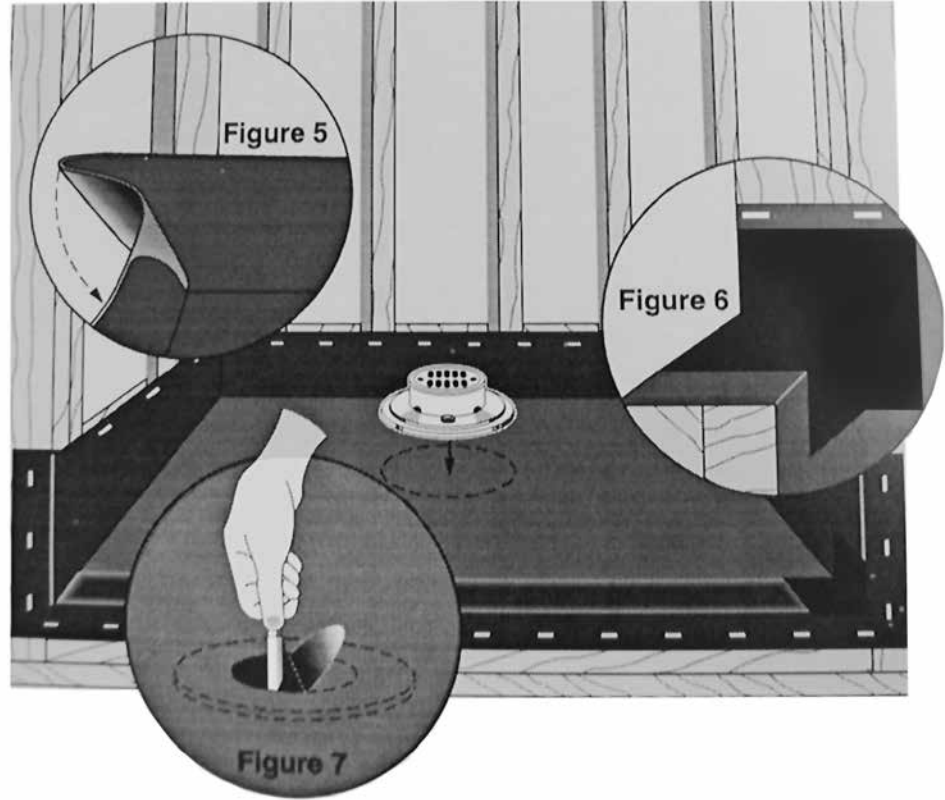
Figure 4: Cut the material with a utility knife and straight edge. Fold the pan material along the layout lines and place it in the shower stall. After the material is positioned in the stall, it can be either stapled or tacked into place. Never staple lower than three inches above the level of the dam. Place the first staple in the pan material to the backing board beginning in the middle of the back of the stall. Proceed to staple the material to the backing board at 2" intervals, working towards either corner of the stall.*

***NOTE: Where metal studs are used and no back-up material is provided, see Gang Shower Installation Instructions.**



Make corner folds as indicated in **Figure 5** and staple. Continue stapling the material, working towards the shower stall front. Try to keep the material as even and free of wrinkles as possible. Fold corners at the dam and fasten securely. The folds at the dam are somewhat tricky. Try to make the fold as smooth as possible. If it becomes necessary to make a slit in the material at the dam corners, we recommend that you use **PASCO Pre-Fab Corners** to protect against leakage. After securely fastening the material on the outside of the dam (do not staple the material on top of the dam), cement the **PASCO Pre-Fab Corners** in place using **PASCO Vinyl Shower Pan Liner Solvent Cement**, **Figure 6**. The top half of the shower

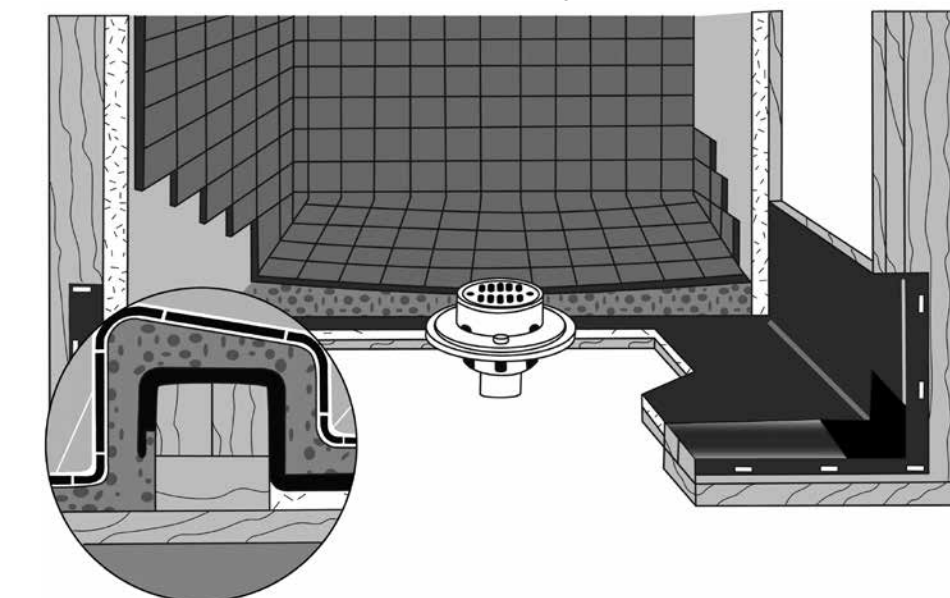
drain can now be bolted into place. Cut the material covering the drain opening, **Figure 7**. Do not make the cut larger than the drain opening. Locate the bolt holes, make small slits and bolt the drain halves firmly in place. To properly tighten, some drain styles may require a gasket of extra pan material. Simply cut this gasket from a piece of scrap material and cement it into place over the drain half.



3. Test for Water Tightness

Test the shower pan for water tightness by plugging the drain with the appropriate size test plug or nipple when using **PASCO's Quick Test Shower Drains**. The

test plug or nipple must be placed in the drain below the level of the weep holes. Fill the shower stall to the top of the dam for a period of time sufficient to establish its water tightness. Local codes require certain time limits for this test. Remove the



test plug or nipple and the water will drain through the weep holes of the drain. Cover the weep holes with small bits of gravel or broken tile to prevent them from becoming plugged when the mortar is poured. The shower pan installation is now complete and ready for the tile mortar base and waterproof wall material. Wrinkles in the material will flatten when the mortar is poured. If for some reason the mortar is not poured immediately after the pan has been installed, cover the pan areas with cardboard to protect it from damage. Remove the cardboard before pouring the mortar.



4. Replacing an Existing Leaking Shower Pan

An existing leaking shower pan can be replaced using the following method.

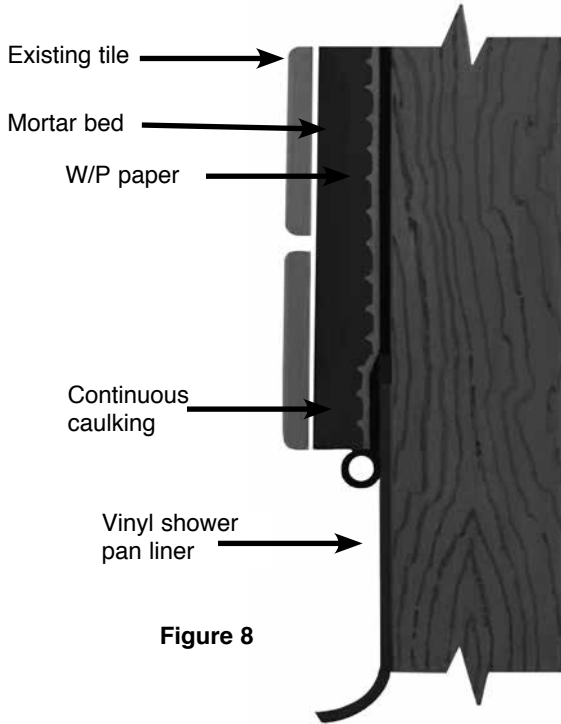


Figure 8

Remove the tile floor and the first course of tile from the wall of the shower stall using a small sledge hammer, crow bar or pry bar. Be sure to wear goggles.

Remove all material down to the original subfloor, including the old shower pan. If the subfloor is wooden, inspect it carefully for rotten floor boards that will need replacing. If no subfloor is evident, we recommend that one be installed as described in Section 1. Inspect the dam area for rotten boards and replace any if necessary. Install the shower pan material as described previously, but with the following modifications. Be sure that there is room for a minimum of one-half inch of mortar plus the thickness of the tile. If this amount of space is available, then the vinyl shower pan liner does not have to be recessed flush to the studs. Measure the area to be covered with liner as described before. The liner need only go up the walls far enough to meet sound tile and mortar. Tuck the liner up under existing tiles as far as possible and secure with staples or by tracking. A continuous bead of butyl rubber caulking should be applied to the area where the liner meets the existing sound tile and mortar. Test for water tightness as described previously. Metal building lath is used to back the mortar for the new tile. Measure lath and cut to fit. Be careful not to puncture the shower pan liner when placing lath. Install full mortar bed and tile to industry specifications and local plumbing or building codes, **Figure 8**.

Shower Pan Joining Instructions

Due to the variety of widths, lengths and heights of shower stalls, gang showers and similar areas which require waterproofing, it may be necessary to join widths of **PASCO Vinyl Shower Pan Liner**. The following instructions must be followed very carefully to achieve a waterproof seal.

IMPORTANT - Use only **PASCO Vinyl Shower Pan Liner Solvent Cement** (Part Number 3008) for joining pan sheets. It is specially formulated to make a permanent waterproof seal when used as directed. To join sheets allow a 4" minimum overlap. Apply a thin, even coat of cement to both surfaces to be joined. The entire surface of material to be joined must be covered with cement. Apply the cement to short lengths of material, not to exceed 3 feet at a time, **Figure 9**.

Join cemented surfaces as quickly as possible before cement dries. For long seams exceeding 6 feet in length, use a weighted, smooth flooring roller to facilitate bonding of material, **Figure 10**.

Apply a wide bead of cement to the entire length of the overlap. If material has been joined outside of the installation area, apply the bead to both top and bottom edges of the overlap, **Figure 11**.

Do not disturb or try to peel joined surfaces. The cemented seam should fully cure in 24 hours. Test for water tightness as described in section 3.

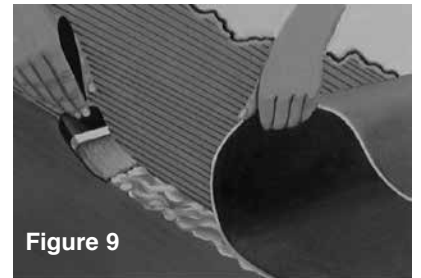


Figure 9

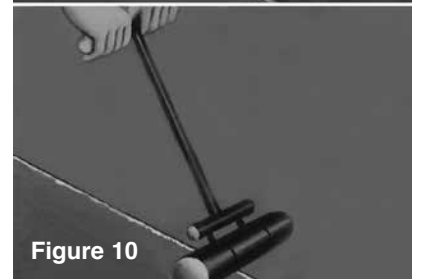


Figure 10



Figure 11

GANG SHOWER INSTALLATION

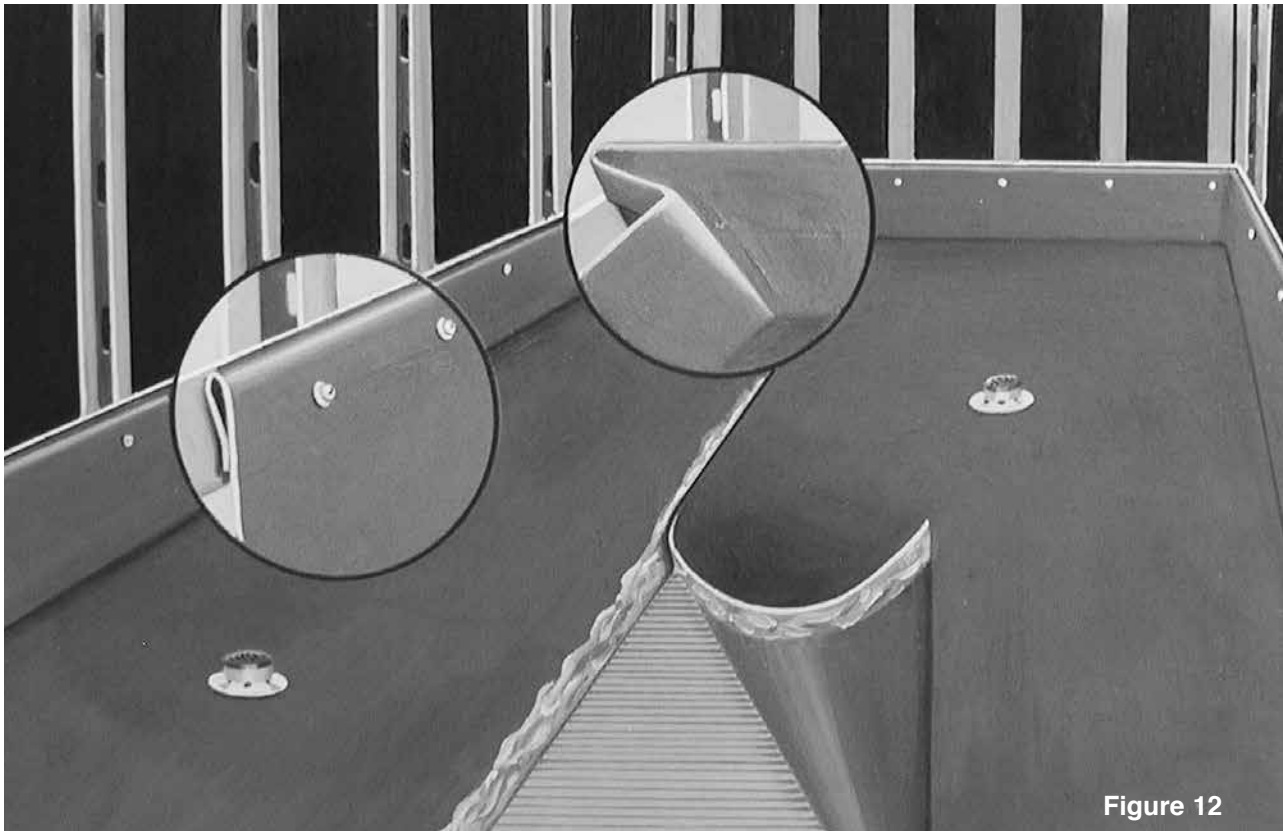


Figure 12

Shower areas with multiple shower heads and drains are commonly referred to as “gang showers”. These shower areas are found in schools, dormitories, sports facilities and commercial installations.

Read the previous instructions in this brochure and pay particular attention to the corner, drain and seaming details (see Figures 1 through 11).

When large areas must be covered, **PASCO Vinyl Shower Pan Liner** can be easily joined. Sections of the liner can be joined as they are laid. Lay sections to be joined, side by side and follow the instructions for joining as explained in Figures 9 through 11.

If metal studs are present, proceed as follows. The shower pan material must be attached at the height of at least three inches above the highest flood level of the shower area. Determine this height and attach a metal furring strip at this level around the entire shower stall area.

Measure the shower area, determine the amount of material required and also determine where seams will be required. To attach the shower pan material to the metal furring strip, fold the material as indicated in Figure 12. Use a small diameter, short length, self tapping sheet metal screw with a small washer to fasten the material to the metal furring strip. Space screws at a distance which will prevent the material from sagging.

Finish the drain installation as described in Figure 7 and perform appropriate water test as described in installation section # 3.



Product Specification Sheet

Product Name:

PASCO Vinyl Shower Pan Liner

Manufacturer:

PASCO Specialty & Mfg., Inc.

Product Usage:

PASCO Vinyl Shower Pan Liner is a flexible sheet used without bedding mastic or coating for construction of concealed water-containment barriers.

Listed by the model building code of IAPMO, **PASCO Vinyl Shower Pan Liner** may be used for safe pans, ceramic tile tub and shower stalls, indoor swimming pools, steam rooms, fountains and planters in place of copper sheet, hot mop and lead sheet waterproofing methods.

May be solvent welded to cover large areas. Note: Only **PASCO Vinyl Shower Pan Liner Solvent Cement #3008** may be used to solvent weld **PASCO Vinyl Shower Pan Liner**.

Limitations:

PASCO Vinyl Shower Pan Liner is to be concealed from sunlight when protection from water damage and long-term reliability is essential. This material cannot be exposed to outdoor elements.

Product Description:

Color: Red Thickness: 40 Mil

Color: Black Thickness: 30 Mil

Finish: Smooth Texture

Widths: Available in 48", 60", and 72" widths.

Lengths: Rolls come in lengths of 80 ft & 40 ft.

Markings: All **PASCO Vinyl Shower Pan Liner** is continuously marked with manufacturer's name, address, thickness, part number. Marked with IAPMO Listing # 2308 and ASTM D4551.

Technical Data:

PASCO Vinyl Shower Pan Liner is a flexible poly vinyl chloride sheet made of a virgin PVC resin containing no regrind material with an inherent viscosity of not less than 0.92 and a PVC compound density of between 1.26 g/cc and 1.29 g/cc.

Special Qualities:

- Requires no maintenance.
- Dramatic low temperature flexibility for easy installation in cold weather.
- Immune to mildew, fungus and bacterial degradation.
- Smooth surface to prevent snagging on metal lath.
- Lines every 6" for quick measurement.
- Easy to fold.
- Requires no special tools for installation.

Code Listings:

- IAPMO File #2308
- Copies of all code listings available upon request.
- Approved by many cities, counties and states including the City of Los Angeles (#RR4703).

Test Standard:

- Conforms to ASTM D4551 Test Standard.
- Meets FHA 1/30/63 test to determine suitability of materials for use as a shower pan.

Guarantee:

PASCO Vinyl Shower Pan Liner is guaranteed by **PASCO Specialty & Mfg., Inc.** against failure caused by rot, rust, cracks, electrolysis and microorganism deterioration in un-exposed installations if installed according to **PASCO Installation Instructions**.

This warranty is limited to replacement of the material and freight charges to destination only. There are no other express or implied warranties and this warranty is in lieu of any other warranty. **PASCO** is not responsible for consequential damages. The remedy of the purchaser set forth herein is exclusive.

For additional information, please call **PASCO** toll free: (800) 421-2053 or 800-737-2726

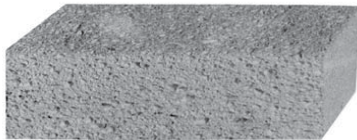


Need Help With Your Install?

PASCO has just the right tools to make your job easier!

Cellulose Sponges

- Excellent for drying and cleaning up
- For cleaning up tanks, lavatories, shower liners and leaking traps
- Yellow color



PART NUMBER	SIZES
5184	6" X 4-1/4" X 1-11/16"
5185	7-1/2" X 4-1/2" X 2-1/16"



Torpedo Level

- Magnet and grooved
- Sturdy die cast
- Colored liquid in vials



PART NUMBER
4472



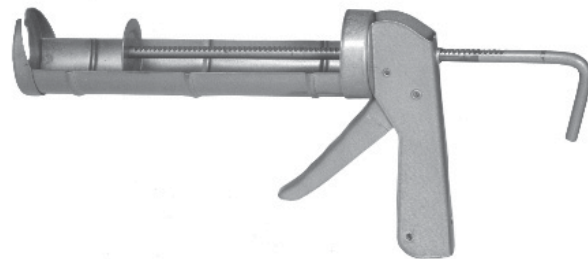
Disposable Shoe Covers

- Non-skid sole
- Disposable
- 10 per pack



PART NUMBER
949

"Drop In" Half Barrel Type Caulking Gun



PART NUMBER
5100





Protective Knee Pads

- Comfortable
- Long lasting
- Codura nylon
- Foam rubber cushioning
- Flexible



#9221
Normal natural rubber cap prevents sliding and marring



#9220
White plastic cap allows user to swivel and slide on working surfaces

PART NUMBER	SIZES
9220	Protective cap
9221	Protective cap



Professional Wear-A-Day Disposable Gloves

- Blue, powder-free latex
- Plumber grade
- Sold by the box
- 50 per box
- 15 mil latex



PART NUMBER
952L
952XL
952XXL

Disposable Gloves - Black

- Powder-free nitrile
- Sold by the box



PART NUMBER
950L
950XL

Atlas® Nitrile Tough Gloves - Black

- Grips
- Won't slip when wet
- Durable
- Resists solvent cement
- Packed 12 pair



PART NUMBER
370M
370L
370XL

Atlas® Nitrile 380 - Blue/Black

- Lint free nylon liner
- Compressed airinfused foam nitrile coating
- Waffle pattern provides good grip in wet conditions
- Heavy duty
- Packed 12 pair



PART NUMBER
380M
380L
380XL



All Stainless Steel Marine or Underground Hose Clamps

5/16" HEX HEAD SCREW

60000 SERIES

- Highly corrosion resistant
- Use for marine or underground applications



IAPMO Listed

PART NUMBER	BEST FITS HOSE ID
60006	3/8"
60008	3/8"
60010	5/8"
60012	3/4"
60016	1"
60020	1-1/4"
60024	1-1/2"
60028	1-3/4"
60032	2"
60036	2-1/4"
60040	2-1/2"
60044	2-3/4"
60048	3"
60052	3-1/4"

PART NUMBER	BEST FITS HOSE ID
60056	3-1/2"
60064	4"
60072	4-1/4"
60080	4-1/2"
60088	5"
60096	5-1/2"
600104	6"
600116	7-1/2"
600128	8-1/2"
600152	9-3/4"
600164	10"
600188	12"
600212	13"

See page J-2 for max/min diameters



Miniature Clamps

1/4" HEX HEAD SCREW

60M00 SERIES

- Marine grade, 100% stainless steel. Screw - 305 stainless. Band 300 series stainless. Housing 300 series stainless.



PART NUMBER	BEST FITS HOSE ID
60M04	1/4"
60M05	3/8"
60M06	1/2"

Standard Hose Clamp Diameters

All manufacturers of hose clamps use the last two or three digits of their part number to indicate the size of that clamp. Although published diameter ranges may vary, the last digits remain constant and can be used to determine the size of any hose clamp.

LAST DIG OF #	MINIMUM INCHES	MAXIMUM INCHES
06	7/16"	25/32"
08	1/2"	29/32"
10	9/16"	1-1/16"
12	11/16"	1-1/14"
16	13/16"	1-1/2"
20	13/16"	1-3/4"
24	1-1/16"	2"
28	1-5/16"	2-1/4"
32	1-9/16"	2-1/2"
36	1-13/16"	2-3/4"
40	2-1/6"	3"
44	2-5/16"	3-1/4"
48	2-9/16"	3-1/2"

LAST DIG OF #	MINIMUM INCHES	MAXIMUM INCHES
52	2-13/16"	3-3/4"
56	3-1/16"	4"
64	3-9/16"	4-1/2"
72	1-7/8"	5"
80	2-1/2"	5-1/2"
88	3-1/8"	6"
96	3-5/8"	6-1/2"
104	4-1/4"	7"

MINI HOSE CLAMP DIAMETERS

LAST DIG OF #	MINIMUM INCHES	MAXIMUM INCHES
04-05	1/4"	5/8"
06	5/16"	7/8"

Quick Release

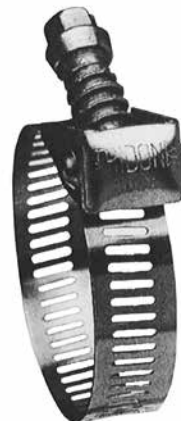
- 5/16" HEX HEAD SCREW

500 SERIES

- Screw - carbon steel, band 301 series stainless, housing carbon steel

550 SERIES

- All stainless steel
- Screw 410 stainless, band 301 series stainless, housing 301 series stainless
- Quick installation and quick replacement of clamp. Ideal for filter bags, etc. All stainless steel style can be used to install DWV saddles.



PART NUMBER	BEST FITS HOSE ID
50056	3-1/2"
500104	6-3/4"
500188	12-1/2"
550248*	15-3/4"



Red Brass (Bronze) Pipe Fittings

Compliant

AB 1953

Threaded - 125 pound. **PASCO** Cast Bronze Fittings meet ANSI B16.15-1978 Specification for 125 Pound Thread Fittings

Couplings



PART NUMBER	SIZE
7100	1/8"
7101	1/4"
7102	3/8"
7103	1/2"
7104	3/4"
7105	1"
7106	1-1/4"
7107	1-1/2"
7108	2"

45° Elbows



PART NUMBER	SIZE
7175	1/4"
7176	3/8"
7177	1/2"
7178	3/4"
7179	1"
7181	1-1/2"

Reduced Couplings



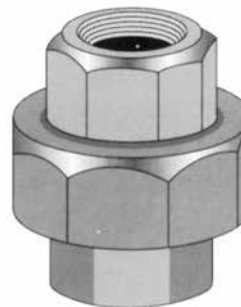
PART NUMBER	SIZE
7118	1/4" x 1/8"
7119	3/8" x 1/4"
7120	3/8" x 1/8"
7123	1/2" x 3/8"
7124	1/2" x 1/4"
7125	1/2" x 1/8"
7126	3/4" x 1/2"
7127	3/4" x 3/8"
7128	3/4" x 1/4"
7129	1" x 3/4"
7130	1 x 1/2"
7134	1-1/4" x 1"
7135	1-1/4" x 3/4"
7138	1-1/2" x 1-1/4"
7139	1-1/2" x 1"
7140	1-1/2" x 3/4"
7141	1-1/2" x 1/2"
7142	2" x 1-1/2"
7143	2" x 1-1/4"
7144	2" x 1"

45° Street Elbows



PART NUMBER	SIZE
7190	1/4"
7192	1/2"
7193	3/4"
7195	1-1/4"
7196	1-1/2"

Unions



PART NUMBER	SIZE
7163	1/4"
7164	3/8"
7165	1/2"
7166	3/4"
7167	1"
7168	1-1/4"
7169	1-1/2"
7170	2"




Red Brass (Bronze) Pipe Fittings

Compliant

AB 1953

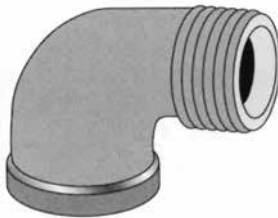
Threaded - 125 pound. **PASCO** Cast Bronze Fittings meet ANSI B16.15-1978 Specification for 125 Pound Thread Fittings

90° Elbows




PART NUMBER	SIZE
7204	1/8"
7205	1/4"
7206	3/8"
7207	1/2"
7208	3/4"
7209	1"
7210	1-1/4"
7211	1-1/2"
7212	2"

90° Street Elbows



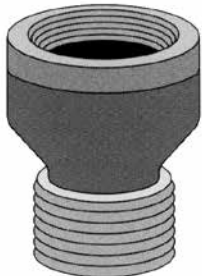
PART NUMBER	SIZE
7248	1/4"
7249	3/8"
7250	1/2"
7251	3/4"
7252	1"
7253	1-1/4"
7254	1-1/2"
7255	2"

90° Reducing Elbows



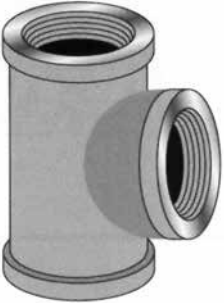
PART NUMBER	SIZE
7221	3/8" x 1/4"
7223	1/2" x 3/8"
7226	3/4" x 1/2"
7228	3/4" x 1/4"
7229	1" x 3/4"

Extension Pieces



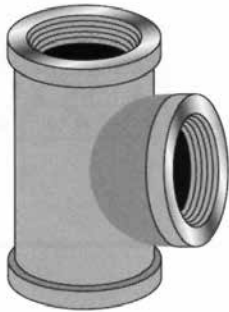
PART NUMBER	SIZE
7527	1/2"

Tees



PART NUMBER	SIZE
7259	1/8"
7260	1/4"
7261	3/8"
7262	1/2"
7263	3/4"
7264	1"
7265	1-1/4"
7266	1-1/2"
7267	2"

Reducing Tees



PART NUMBER	SIZE
7292	1/2" x 1/2" x 3/4"
7293	1/2" x 1/2" x 3/8"
7294	1/2" x 1/2" x 1/4"
7303	3/4" x 3/4" x 1/2"
7307	3/4" x 1/2" x 3/4"
7308	3/4" x 1/2" x 1/2"
7315	1" x 1" x 3/4"
7329	1-1/4" x 1-1/4" x 3/4"
7343	1-1/2" x 1-1/2" x 1"
7345	1-1/2" x 1-1/2" x 1/2"



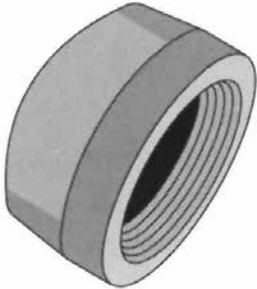
Red Brass (Bronze) Pipe Fittings

Compliant

AB 1953

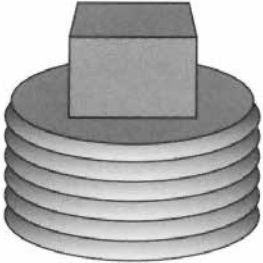
Threaded - 125 pound. **PASCO** Cast Bronze Fittings meet ANSI B16.15-1978 Specification for 125 Pound Thread Fittings

Caps



PART NUMBER	SIZE
7404	1/8"
7405	1/4"
7406	3/8"
7407	1/2"
7408	3/4"
7409	1"
7410	1-1/4"
7411	1-1/2"
7412	2"

Square Head Plugs



PART NUMBER	SIZE
7420	1/8"
7421	1/4"
7422	3/8"
7423	1/2"
7424	3/4"
7425	1"
7426	1-1/4"
7427	1-1/2"
7428	2"

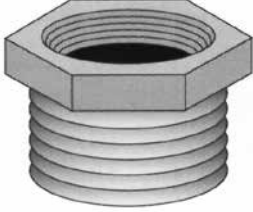
Drop Ear Elbow



1/2" CWT x 1/2" FPT

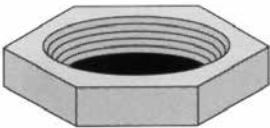
PART NUMBER
7590

Hex Bushings



PART NUMBER	SIZE
7436	1/4" x 1/8"
7437	3/8" x 1/4"
7439	1/2" x 3/8"
7440	1/2" x 1/4"
7441	1/2" x 1/8"
7442	3/4" x 1/2"
7443	3/4" x 3/8"
7444	3/4" x 1/4"
7445	3/4" x 1/8"
7446	1" x 3/4"
7447	1 x 1/2"
7448	1 x 3/8"
7449	1" x 1/4"
7451	1-1/4" x 1"
7452	1-1/4" x 3/4"
7453	1-1/4" x 1/2"
7457	1-1/2" x 1-1/4"
7458	1-1/2" x 1"
7459	1-1/2" x 3/4"
7460	1-1/2" x 1/2"
7464	2" x 1-1/2"
7465	2" x 1-1/4"
7466	2" x 1"
7467	2" x 3/4"
7468	2" x 1/2"
7473	2-1/2" x 1-1/2"

Locknuts



PART NUMBER	SIZE
7564	1/2"
7565	3/4"



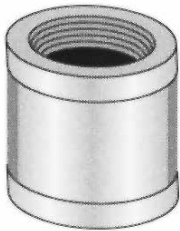
Chrome Plated Red Brass Fittings

Compliant

AB 1953

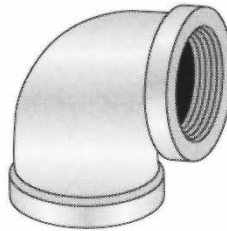
Threaded - 125 pound. **PASCO** Cast Bronze Fittings meet ANSI B16.15-1978 Specification for 125 Pound Thread Fittings

Couplings



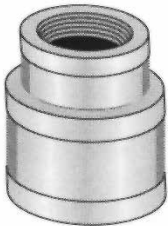
PART NUMBER	SIZE
7102-C	3/8"
7103-C	1/2"
7104-C	3/4"
7105-C	1"

90° Elbows



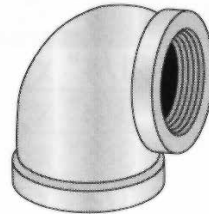
PART NUMBER	SIZE
7206-C	3/8"
7207-C	1/2"
7208-C	3/4"
7209-C	1"

Reducing Couplings



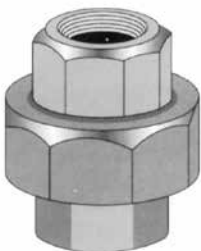
PART NUMBER	SIZE
7123-C	1/2" x 3/8"
7126-C	3/4" x 1/2"

90° Reducing Elbows



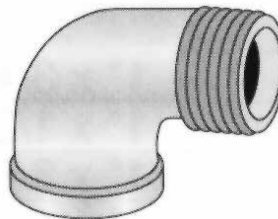
PART NUMBER	SIZE
7223-C	1/2" x 3/8"
7226-C	3/4" x 1/2"

Unions



PART NUMBER	SIZE
7164-C	3/8"
7165-C	1/2"
7166-C	3/4"

90° Street Elbows



PART NUMBER	SIZE
7249-C	3/8"
7250-C	1/2"
7251-C	3/4"
7252-C	1"



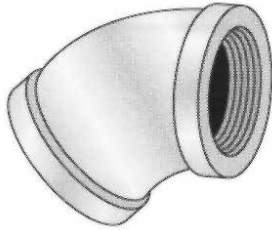
Chrome Plated Red Brass Fittings

Compliant

AB 1953

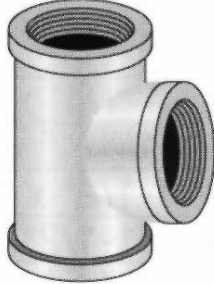
Threaded - 125 pound. **PASCO** Cast Bronze Fittings meet ANSI B16.15-1978 Specification for 125 Pound Thread Fittings

45° Elbows



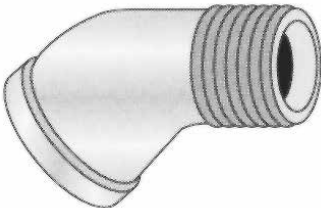
PART NUMBER	SIZE
7176-C	3/8"
7177-C	1/2"
7178-C	3/4"
7179-C	1"

Tees



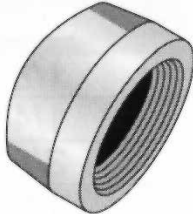
PART NUMBER	SIZE
7261-C	3/8"
7262-C	1/2"
7263-C	3/4"

45° Street Elbows



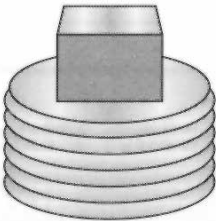
PART NUMBER	SIZE
7192-C	1/2"

Caps



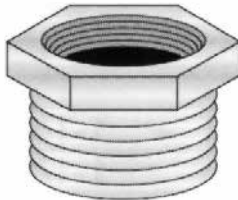
PART NUMBER	SIZE
7406-C	3/8"
7407-C	1/2"
7408-C	3/4"
7409-C	1"

Plugs



PART NUMBER	SIZE
7422-C	3/8"
7423-C	1/2"
7424-C	3/4"

Hex Bushings



PART NUMBER	SIZE
7437-C	3/8" x 1/4"
7439-C	1/2" x 3/8"
7440-C	1/2" x 1/4"
7442-C	3/4" x 1/2"
7446-C	1" x 3/4"



Red Brass Nipples

Compliant

AB 1953

Each nipple is cleaned of burrs and cutting oil and manufactured in accordance with ASTM B-687.



1/8" PART #	LENGTH
7700	CL
7701	1-1/2"
7702	2"
7703	2-1/2"
7704	3"

1/4" PART #	LENGTH
7717	CL
7718	1-1/2"
7719	2"
7721	3"
7722	3-1/2"
7723	4"
7725	5"
7727	6"

3/8" PART #	LENGTH
7734	CL
7735	1-1/2"
7736	2"
7737	2-1/2"
7738	3"
7739	3-1/2"
7740	4"
7741	4-1/2"
7742	5"
7743	5-1/2"
7744	6"

1/2" PART #	LENGTH
7751	CL
7752	1-1/2"
7753	2"
7754	2-1/2"
7755	3"
7756	3-1/2"
7757	4"
7758	4-1/2"
7759	5"
7760	5-1/2"
7761	6"
7762	6-1/2"
7763	8"
7765	10"
7767	12"

3/4" PART #	LENGTH
7768	CL
7769	1-1/2"
7770	2"
7771	2-1/2"
7772	3"
7773	3-1/2"
7774	4"
7775	4-1/2"
7776	5"
7777	5-1/2"
7778	6"
7780	8"
7782	10"
7784	12"

1" PART #	LENGTH
7785	CL
7786	2"
7787	2-1/2"
7789	3"
7790	3-1/2"
7791	4"
7792	4-1/2"
7793	5"
7794	5-1/2"
7795	6"
7797	8"
7801	12"

1-1/4" PART #	LENGTH
7802	CL
7803	2"
7804	2-1/2"
7805	3"
7806	3-1/2"
7807	4"
7809	5"
7810	5-1/2"
7811	6"
7815	10"
7817	12"

1-1/2" PART #	LENGTH
7818	CL
7819	2"
7820	2-1/2"
7821	3"
7822	3-1/2"
7823	4"
7824	4-1/2"
7825	5"
7826	5-1/2"
7827	6"
7829	8"
7831	10"

2" PART #	LENGTH
7834	CL
7836	3"
7837	3-1/2"
7838	4"
7840	5"
7842	6"



Chrome Plated Brass Nipples

Compliant

AB 1953



1/4" PART #	LENGTH
7717-C	CL
7725-C	5"

3/8" PART #	LENGTH
7734-C	CL
7735-C	1-1/2"
7736-C	2"
7737-C	2-1/2"
7738-C	3"
7739-C	3-1/2"
7740-C	4"
7741-C	4-1/2"
7742-C	5"
7743-C	5-1/2"
7744-C	6"

1/2" PART #	LENGTH
7751-C	CL
7752-C	1-1/2"
7753-C	2"
7754-C	2-1/2"
7755-C	3"
7756-C	3-1/2"
7757-C	4"
7758-C	4-1/2"
7759-C	5"
7760-C	5-1/2"
7761-C	6"
7763-C	8"
7765-C	10"
7767-C	12"

3/4" PART #	LENGTH
7768-C	CL
7769-C	1-1/2"
7770-C	2"
7771-C	2-1/2"
7772-C	3"
7773-C	3-1/2"
7774-C	4"
7775-C	4-1/2"
7776-C	5"
7777-C	5-1/2"
7778-C	6"

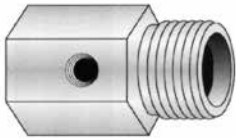
1" PART #	LENGTH
7785-C	CL
7786-C	2"
7787-C	2-1/2"
7789-C	3"
7790-C	3-1/2"
7791-C	4"
7792-C	4-1/2"
7793-C	5"
7794-C	5-1/2"
7795-C	6"

Brass Hose to Pipe Adapters

MHT = Male Hose Threads
MPT = Male Pipe Threads

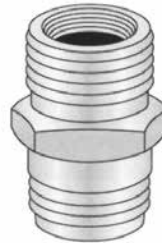
FHT = Female Hose Threads
FPT = Female Pipe Threads

Evaporative Cooler Adapter



PART NUMBER	FPT	MPT	FPT SIDE TAP
7-3098	1/2"	1/2"	1/8"
7-30912	3/4"	3/4"	1/8"

Male Hose - Male Pipe



Tapped 1/2" FPT inside
3/4" MPT.

PART NUMBER	MHT	MPT
2140	3/4"	3/4"

Female Swivel



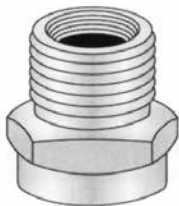
PART NUMBER	FHT SWIVEL	FPT
2141	3/4"	1/2"
2142	3/4"	3/4"
2154	3/4"	1/2" MPT

Female Hose - Female Pipe



PART NUMBER	FHT	FPT
2147	3/4"	1/2"
2148	3/4"	3/4"

Female Hose - Male Pipe



Tapped 1/2" FPT inside
3/4" MPT.

PART NUMBER	FHT	MPT
2150	3/4"	3/4"

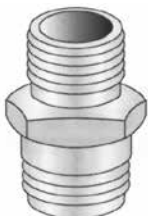
Male Hose (both ends) - Female Pipe



One end tapped 1/2" FPT.

PART NUMBER	MHT	FPT
2151	3/4"	1/2"

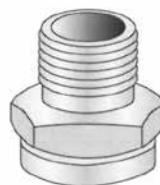
Male Hose - Male Pipe



The 1/2" copper connection is inside
the 1/2" MPT.

PART NUMBER	MHT	MPT	FEMALE COPPER SWEAT
2143	3/4"	1/2"	1/2"

Female Hose - Male Pipe



The 1/2" copper connection is inside
the 1/2" MPT.

PART NUMBER	FHT	MPT	FEMALE COPPER SWEAT
2144	3/4"	1/2"	1/2"



Brass Hose to Pipe Adapters

MHT = Male Hose Threads
MPT = Male Pipe Threads

FHT = Female Hose Threads
FPT = Female Pipe Threads

Evaporative Cooler Drain



With washer and locknut

PART NUMBER	MHT	FPT
2145	3/4"	1/2"

Hose Wye - Female Hose - Male Hose



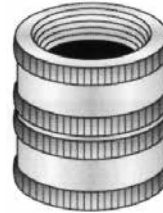
PART NUMBER	MHT	MHT	FHT
2156	3/4"	3/4"	3/4"

Male Hose - Female Pipe



PART NUMBER	MHT	FPT
2146	3/4"	3/4"

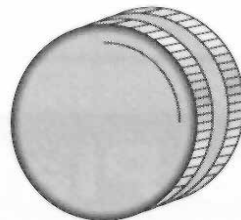
Dual Swivel - Female Hose



PART NUMBER	FHT	FHT
2153	3/4"	3/4"

Hose Cap

Also available with chain*
Supplied with washer



PART NUMBER	FHT
2152	3/4"
2159*	3/4"



Brass Flare & Compression Fittings

Compliant

AB 1953

60 Series

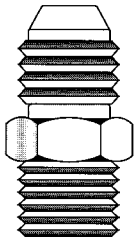
Brass Compression Sleeve



PART NUMBER	SIZE
7-604	1/4"
7-606	3/8"
7-6010	5/8"

48 Series

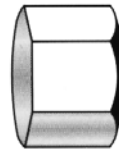
Flare x MIP Coupling



PART NUMBER	SIZE
7-4844	1/4"
7-4868	3/8" x 1/2"

61-C Series

Compression Cap/Short Compression Nut

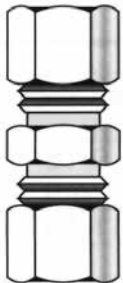


*Short Nut

PART NUMBER	SIZE
7-61C4	1/4"
7-61C6	3/8"
*7-614	1/4"
*7-616	3/8"

62 Series

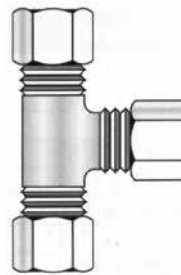
Compression Union



PART NUMBER	SIZE
7-624	1/4"
7-626	3/8"
7-6264	3/8" x 1/4"
7-628	1/2"
7-6286	1/2" X 3/8"
7-6210	5/8"
7-6214	7/8"
7-62106	5/8" X 3/8"

64 Series

Compression Tees



PART NUMBER	SIZE
7-644	1/4"
7-646	3/8"
7-6410	5/8"

Two piece: body and nut.

Straights and shapes are manufactured from CA360, CA345, CA377 brass. 45° flare. Heavy duty flare fittings are manufactured to SAE specifications. Compatible with copper, brass, aluminum and steel hydraulic tubing that can be flared. Used on low, medium and high pressure lines under the most adverse conditions. Fair vibration resistance, The long nut offers greater support. Temperature range from -65° to +250° F.

Three piece unit: body, nut and sleeve.

Straights and shapes are manufactured from CA360, CA345, CA377. Compatible with copper, brass, aluminum and thermoplastic tubing. (Thermoplastic tubing requires the use of a brass insert for support.) Low pressure air, oil, water and gas up to a maximum pressure of 400 psi. Fair vibration resistance. The long nut can be used for greater vibration application.



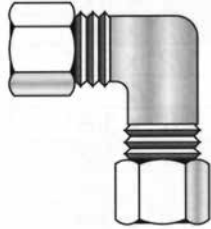
Brass Flare & Compression Fittings

Compliant

AB 1953

65 Series

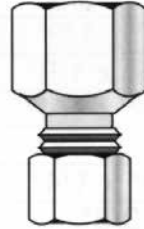
Compression 90° Ell



PART NUMBER	SIZE
7-656	3/8"

66 Series

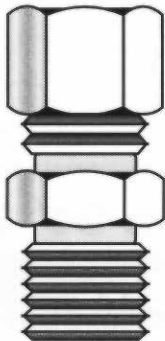
Compression x FIP Coupling



PART NUMBER	SIZE
7-6666	3/8"
7-6668	3/8" x 1/2"
7-6688	1/2"
7-66108	5/8" x 1/2"

68 Series

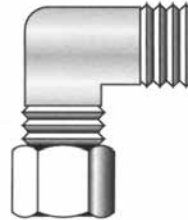
Compression x MIP Coupling



PART NUMBER	SIZE
7-6842	1/4" x 1/8"
7-6844	1/4"
7-6846	1/4" x 3/8"
7-6848	1/4" x 1/2"
7-6864	3/8" x 1/4"
7-6866	3/8"
7-6868	3/8" x 1/2"
7-6888	1/2"
7-68106	5/8" x 3/8"
7-68108	5/8" x 1/2"
7-681012	5/8" x 3/4"
7-681412	7/8" x 3/4"

69 Series

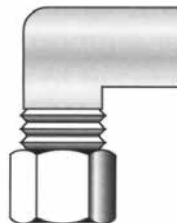
Compression x MIP 90° Ell



PART NUMBER	SIZE
7-6964	3/8" x 1/4"
7-6966	3/8"
7-6968	3/8" x 1/2"

70 Series

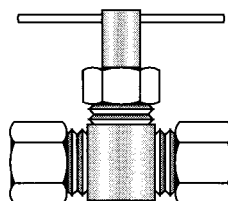
Compression x FIP 90° Ell



PART NUMBER	SIZE
7-7068	3/8" x 1/2"

78 Series

Compression x Compression Needle Valve



PART NUMBER	SIZE
7-7834	1/4"
7-7836	3/8"



Spring Bottom Brass Shut-Off Valves

Small Diameters - Rated 30 PSIG

Features:

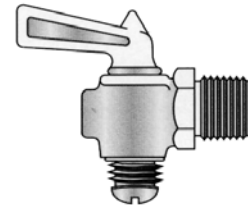
- Instantaneous On/Off operation
- Forged brass body
- 360° rotation standard for water
- Oil and air systems
- 40° to 250°F
- Highest quality valve of its kind

Female x Male Pipe



PART NUMBER	FPT	MPT
7900	1/8"	1/8"
7901	1/4"	1/4"

Drain Valve - 30 PSI



Valve shown in open position

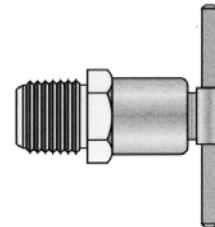
PART NUMBER	SIZE
7941	1/4"

Female x Female Pipe



PART NUMBER	FPT	FPT
7907	1/4"	1/4"

T-Handle Drain Valve



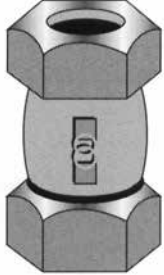
PART NUMBER	SIZE
7948	1/4"

Do not use with liquified petroleum, natural gas, oxygen or similar explosive or combustible mediums.

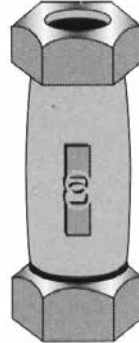


Steel Compression Couplings

These couplings are intended for temporary repair.
Do not use on hot water, steam, oxygen, petroleum or similar explosive or combustible mediums.



PART NUMBER	IPS	LENGTH
2900	1/2"	2-5/8"
2901	3/4"	2-3/4"
2902	1"	3-1/8"
2903	1-1/4"	3-1/4"
2904	1-1/2"	3-3/8"
2905	2"	3-5/8"
2906	2-1/2"	4-3/8"



PART NUMBER	IPS	LENGTH
2908	1/2"	3-3/4"
2909	3/4"	4"
2910	1"	4-1/4"
2911	1-1/4"	4-3/4"
2912	1-1/2"	5"
2913	2"	5-3/8"

Male x Compression



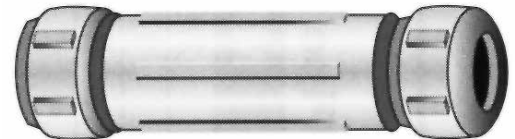
PART NUMBER	IPS
2950	1/2"
2951	3/4"

Brass Compression Couplings

These couplings are intended for temporary repair.
Do not use on hot water, steam, oxygen, petroleum or similar explosive or combustible mediums.



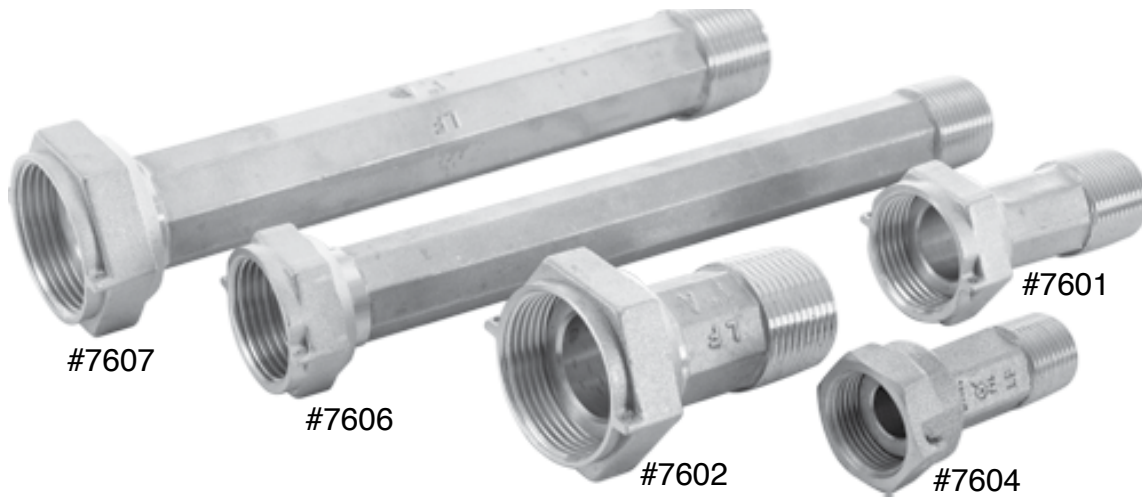
PART NUMBER	CWT	IPS	LENGTH
2916	1/2"	3/8"	2-9/16"
2917	3/4"	1/2"	2-3/4"
2918	1"	3/4"	3"
2919	1-1/4"	1"	3"
2920	1-1/2"	1-1/4"	3-1/4"
2927	—	1-1/2"	3-1/2"



PART NUMBER	CWT	IPS	LENGTH
2921	1/2"	3/8"	5"
2922	3/4"	1/2"	5"
2923	1"	3/4"	5"
2924	1-1/4"	1"	5"
2925	1-1/2"	1-1/4"	5"
2926	2"	—	5"
2929	—	1-1/2"	5"
2930	—	2"	5"

Red Brass Water Meter Couplings

Compliant 
AB 1953



Sold individually w/ washers

PART NUMBER	SIZE
7601	1" x 3/4" x 2.57"
7602	1-1/4" x 1" x 2.60"
7604	5/8" x 1/2" x 2.38"
7606	1" x 3/4" x 8.50"
7607	1-1/4" x 1" x 8.50"

Washers Only

PART NUMBER	SIZE
7608	3/4"
7609	1"

Dielectric Unions - Steel



PART NUMBER	SIZE
2592	1/2"
2594	3/4"
2596	1"
2597	1-1/4"
2598	1-1/2"
2599	2"

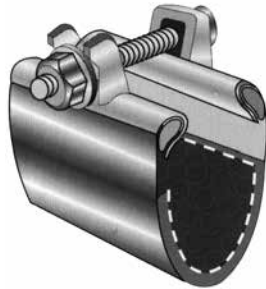


Stainless Steel Repair Clamps

Stainless Steel Band, Neoprene Gaskets, Plated Steel Bolt, Nut & Washer. Temporarily Repairs & Split Pipe Fits Steel, Galvanized, and Copper

One Bolt Type

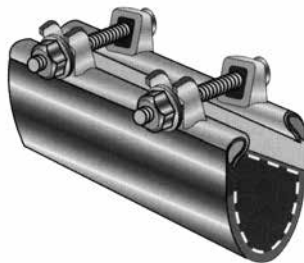
3" Length



PART NUMBER	IPS
2660	1/2"
2661	3/4"
2662	1"
2663	1-1/4"
2664	1-1/2"
2665	2"
2666	2-1/2"
2667	3"
2669	4"

Two Bolt Type

6" Length



PART NUMBER	IPS
2674	1/2"
2675	3/4"
2676	1"
2677	1-1/4"
2678	1-1/2"
2679	2"
2680	2-1/2"
2681	3"
2683	4"

Repair Clamps

- Hinge Type-Economical
- Plated steel, supplied with gasket



PART NUMBER	IPS
1680	1/2"
1681	3/4"
1682	1"