



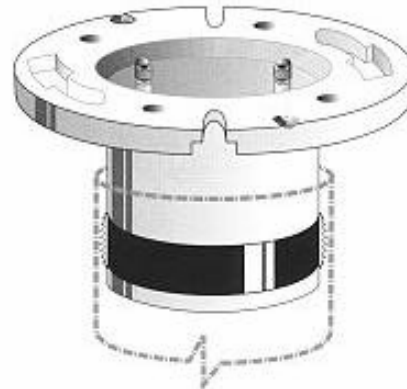
4700 W. 160th St.  
Cleveland, OH 44135  
PH: 800-321-9532  
FX: 800-321-9535  
www.oatey.com

**TECHNICAL SPECIFICATION**

**CAST IRON  
CLOSET FLANGE REPLACEMENT**



**TECHNICAL SPECIFICATION:** Oatey Cast Iron Closet Flange Replacement is designed for use to replace broken or corroded cast iron closet flanges. Flange slides easily into 4" cast iron piping with mechanical compression providing secure seal. Flange can be installed without tearing up the floor.



**PHYSICAL/CHEMICAL PROPERTIES**

Material/Color            ABS Plastic = Black  
                                      PVC Plastic = White

**DIRECTIONS FOR USE**

Place the cast iron closet flange replacement into the pipe and tighten the stainless bolts using a hexagonal wrench. The rubber seal expands to seal against the interior of the pipe.

**COMMON APPLICATIONS**

Oatey Cast Iron Closet Flange Replacement is designed for use to replace broken or corroded cast iron closet flanges. Flange slides easily into 4" cast iron piping with mechanical compression providing secure seal. Flange can be installed without tearing up the floor.

Consult Oatey Technical Department for applications not specifically referenced above.

PRODUCT NUMBER	DESCRIPTION	PACK	CARTON WEIGHT
43538	4" ABS Closet Flange Replacement	2	3 lbs.
43539	4" PVC Closet Flange Replacement	2	4 lbs.