

PARTS BREAKDOWN SHEET



ELITE SINGLE HANDLE LAVATORY FAUCET



Model #: _____
Specific Features: _____
Project Name: _____
Submitted For: _____
Date: _____

- Metal Lever Handle
- 3-7/8" Reach, 1-3/4" From Deck to Aerator
- Stainless Steel Ball Operation
- 3-Hole 4" Installation
- 50/50 Pop-Up Drain Assembly
- With 1.2 GPM Flow Rate

L-6160 SHOWN **ADA**

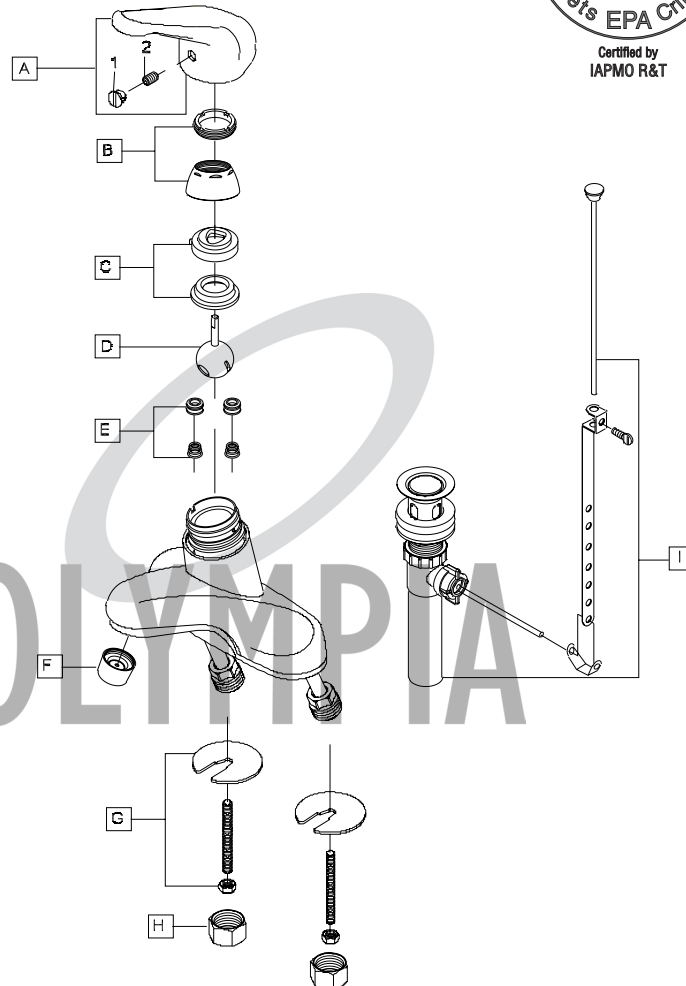
| Model # | Features | Finish | |
|-------------|--------------------|--------|--|
| L-6160* | | CP | |
| L-6160-BN* | | PVD BN | |
| L-6160-MZ* | | MZ | |
| L-6160-ORB* | | ORB | |
| L-6160B* | Builder Tract Pack | CP | |
| L-6160B-BN* | Builder Tract Pack | PVD BN | |

Olympia products are engineered and manufactured to meet the following standards and codes:

- ASME A112.18.1
- ANSI A117.1
- IAPMO LISTED/ CUPC Listed-Cal Green Compliant
- ANSI / NSF 61, SECTION 9
- CONTAINS NO MORE THAN 0.25% WEIGHTED AVERAGE LEAD CONTENT



* Aerator limited to 1.2 GPM Flow Rate



| ITEM # | DESCRIPTION |
|--------|--|
| A | OP-190001* Metal Lever Handle |
| B | OP-490003* Cap & Adjusting Ring |
| C | OP-490004 Cam & Washer |
| D | OP-390001 Stainless Steel Ball |
| E | OP-490041 Springs and Seats |
| F | OP-490064* 1.2 GPM Aerator |
| G | OP-530001 Mounting Kit |
| H | OP-590001 Supply Nut |
| I | OP-630004* 50/50 Pop-Up Drain Assembly |
| 1 | OP-490002 Hot & Cold Indicator |
| 2 | OP-490043 Allen Screw |

* Note- Please Specify finish/color code while ordering.

PARTS BREAKDOWN SHEET

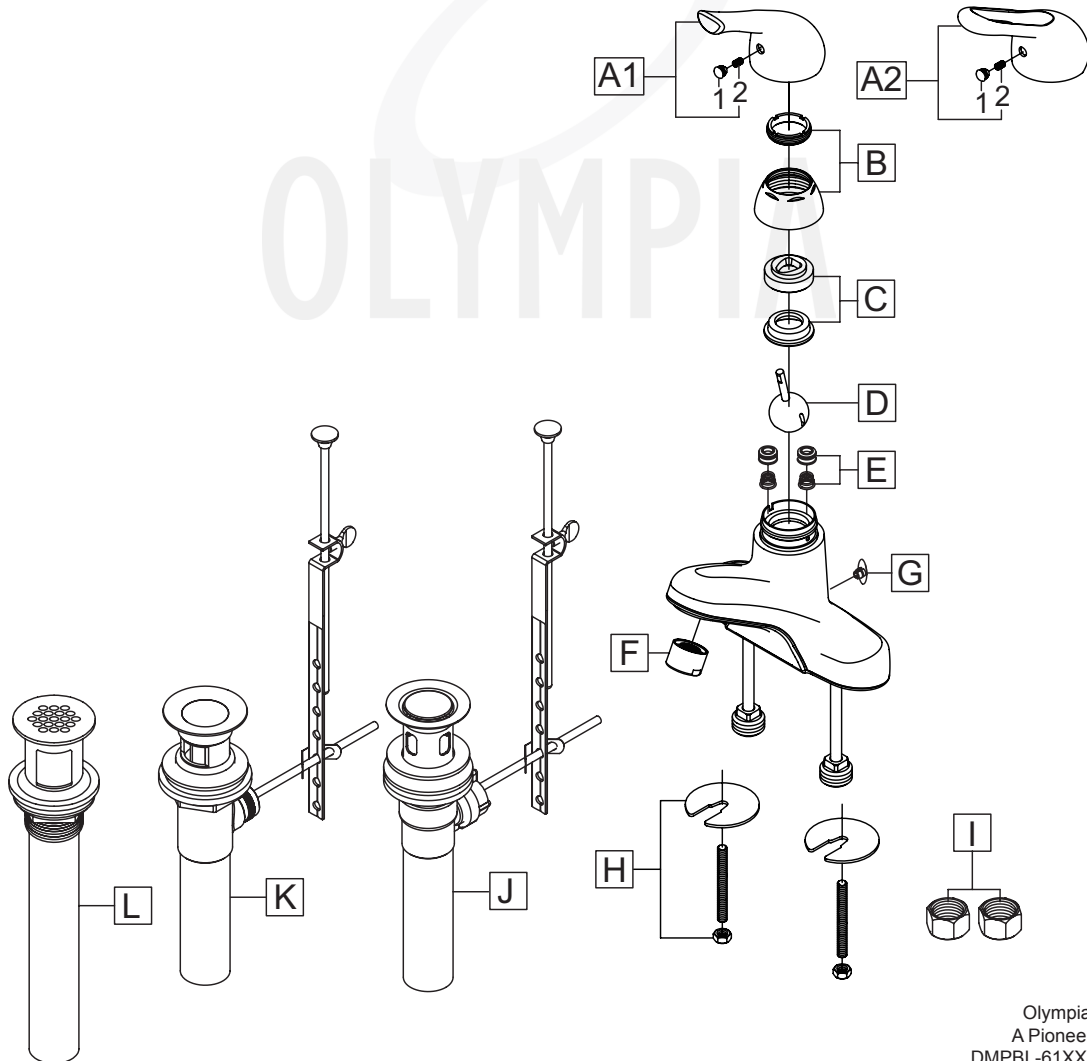


Model Number: L-61XX, L-6161G

* Note: Please specify finish/color when ordering.

| | ITEM # | DESCRIPTION |
|---|------------|--|
| G | OP-430010 | Hole Cover (For L-61X4) |
| H | OP-530001 | Mounting Kit |
| I | OP-590001 | Supply Nut |
| J | OP-630004* | 50/50 Pop Drain Assembly (For L-61X0) |
| K | OP-630002* | Brass Pop-Up Drain Assembly (For L-61X2) |
| L | OP-630001 | Brass Grid Strainer Drain Assembly (For L-6161G) |
| 1 | OP-490002 | Hot & Cold Indicator |
| 2 | OP-490043 | Allen Screw |

| | ITEM # | DESCRIPTION |
|----|------------|---|
| A1 | OP-190001* | Metal Lever Handle (For L-616X) |
| A2 | OP-190002* | Metal Loop Handle (For L-617X) |
| B | OP-490003* | Cap & Adjusting Ring |
| C | OP-490004 | Cam & Washer |
| D | OP-390001 | Stainless Steel Ball |
| E | OP-490041 | Springs & Seats |
| F | OP-490064* | 1.2 GPM Aerator |
| F | OP-490055* | 0.5 GPM Aerator (For L-6160, L-6160B, L-6161, L-6161G, L-6162, L-6162B) |
| F | OP-490056* | 1.0 GPM Aerator (For L-6160B, L-6161, L-6162, L-6162B) |



PARTS BREAKDOWN SHEET



Model Number: L-616X, L-6161G, L-617X

* Note: Please specify finish/color when ordering.

* Note: : Supply Nut is not included for product purchased after June 2022.

| | ITEM # | DESCRIPTION |
|----|------------|---------------------------------|
| A1 | OP-190001* | Metal Lever Handle (For L-616X) |
| A2 | OP-190002* | Metal Loop Handle (For L-617X) |
| B | OP-490003* | Cap & Adjusting Ring |
| C | OP-490004 | Cam & Washer |
| D | OP-390001 | Stainless Steel Ball |
| E | OP-490041 | Springs & Seats |
| F | OP-490064* | 1.2 GPM Aerator |
| G | OP-430010 | Hole Cover (For L-61X4) |

| | ITEM # | DESCRIPTION |
|---|------------|--|
| H | OP-530001 | Mounting Kit |
| I | OP-630004* | 50/50 Pop Drain Assembly (For L-61X0) |
| J | OP-630002* | Brass Pop-Up Drain Assembly (For L-61X2) |
| K | OP-630001 | Brass Grid Strainer Drain Assembly (For L-6161G) |
| 1 | OP-490002 | Hot & Cold Indicator |
| 2 | OP-490043 | Allen Screw |

