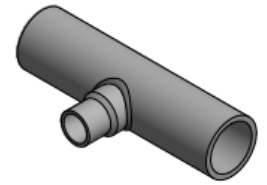


SUBMITTAL DATA SHEET

NI_G_IN_00037.docx
Rev. -0 of 23/06/2023



NIRON CLIMA BUTT FUSION FITTING MALE REDUCED TEE SDR 7.3



ITEM:	27NTR73_M_
SIZE RANGE:	6" x 6" x 2" (160 mm x 160 mm x 63mm) ÷ 12" x 12" x 10" (315 mm x 315 mm x 250 mm)
SDR:	7.3
FUSION RANGE:	For Butt Fusion – SDR7.3 For Electrofusion – SDR7.3 and up
MATERIAL:	PP-RCT (Borealis RA 7050 beta crystalline random copolymer PP)
COLOR:	Steel Grey

INSTALLATION INSTRUCTIONS:

Butt fusion - Butt fitting in accordance with DVS 2207, ASTM D2657 and NUPI Niron Installation Manual
Electrofusion - Electrofusion in accordance with ASTM D2657 and NUPI Niron Installation Manual

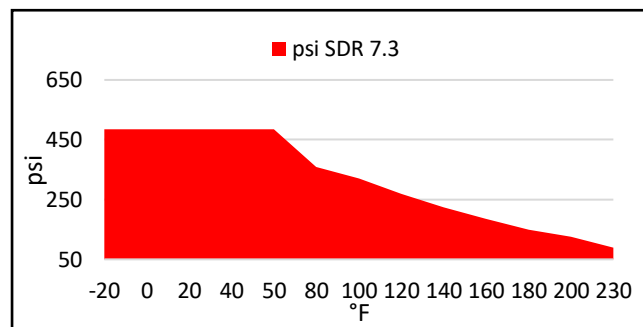
LISTINGS:

NSF PW; ANSI/NSF 14; ANSI/NSF 61; ANSI/NSF 51; UPC; IPC; IAPMO; ICC-ES

STANDARDS:

ANSI/NSF 14; ANSI/NSF 61; ASTM F2389; ASTM F2023; CSA B137,11; ASTM E-84***; CAN/ULC S102***; NSF 51; ISO 15874

MAXIMUM OPERATING PRESSURE:



For code or standard question pertaining to NIRON CLIMA Pipe and Fittings, contact Nupi Americas.

PRODUCT INFORMATION AND APPLICATION USE:

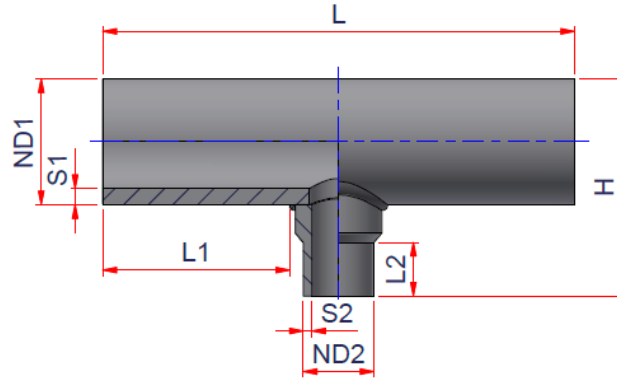
Niron Butt Fusion Fittings is designed to be joined by means of heat element butt fusion or electrofusion in accordance with the above listed installation instructions. Fittings are manufactured with extended plain ends on each outlet which a reinforced area in the center of the fitting for strength. The dimensions of the fittings are in accordance with the requirements of ASTM F2389. The fittings are designed to match the wall thickness and pressure ratings of the matching Niron pipe of the same SDR. Fittings are unitary and injection molded and are solid grey in color.



Nupi Americas, Inc.
314 Commerce Parkway
Early Branch, SC 29916
Phone: 813-398-3579
Fax: 813-398-3639
Mail: info@nupiamericas.com
Website: www.nupiamericas.com

SUBMITTAL DATA SHEET

NI_G_IN_00037.docx
Rev. -0 of 23/06/2023



CODE	Weight lbs/pc	Volume ft ³ /pc	ND1	S1	ND2	S2	L1	L2	L	H
27NTR7316063M160	3.739	0.4676	6" => 160 mm	0.86	2" => 63 mm	0.34	4.57	2.52	13.03	9.84
27NTR7316075M160	3.957	0.5073	6" => 160 mm	0.86	2 1/2" => 75 mm	0.41	4.57	3.23	13.7	10.16
27NTR7316090M160	7.714	0.5187	6" => 160 mm	0.86	3" => 90 mm	0.48	4.57	2.95	14.17	10.04
27NTR73160110M160	8.834	0.5729	6" => 160 mm	0.86	3 1/2" => 110 mm	0.59	4.57	3.15	15.35	10.24
27NTR73160125M160	9.652	0.6685	6" => 160 mm	0.86	4" => 125 mm	0.67	4.57	3.94	16.06	11.42
27NTR7320063M200	6.352	0.7701	8" => 200 mm	1.08	2" => 63 mm	0.34	5.47	2.52	14.8	11.42
27NTR7320075M200	6.671	0.8293	8" => 200 mm	1.08	2 1/2" => 75 mm	0.41	5.47	3.23	15.51	11.73
27NTR7320090M200	7.013	0.8459	8" => 200 mm	1.08	3" => 90 mm	0.48	5.47	2.95	15.98	11.61
27NTR73200110M200	7.853	0.9238	8" => 200 mm	1.08	3 1/2" => 110 mm	0.59	5.47	3.15	17.17	11.81
27NTR73200125M200	8.821	1.0558	8" => 200 mm	1.08	4" => 125 mm	0.67	5.47	3.94	17.83	12.99
27NTR73200160M200	11.486	1.1747	8" => 200 mm	1.08	6" => 160 mm	0.86	5.47	3.78	19.84	12.99
27NTR7325063M250	10.721	1.2487	10" => 250 mm	1.35	2" => 63 mm	0.34	6.26	2.52	16.38	13.39
27NTR7325075M250	11.188	1.3334	10" => 250 mm	1.35	2 1/2" => 75 mm	0.41	6.26	3.23	17.09	13.7
27NTR7325090M250	11.651	1.3615	10" => 250 mm	1.35	3" => 90 mm	0.48	6.26	2.95	17.6	13.58
27NTR73250110M250	12.637	1.4678	10" => 250 mm	1.35	3 1/2" => 110 mm	0.59	6.26	3.15	18.7	13.78
27NTR73250125M250	13.739	1.654	10" => 250 mm	1.35	4" => 125 mm	0.67	6.26	3.94	19.41	14.96
27NTR73250160M250	28.521	1.8251	10" => 250 mm	1.35	6" => 160 mm	0.86	6.26	3.78	21.42	14.96
27NTR73250200M250	19.521	2.3736	10" => 250 mm	1.35	8" => 200 mm	1.08	6.26	7.48	22.28	18.7
27NTR7331563M315	19.341	2.1607	12" => 315 mm	1.7	2" => 63 mm	0.34	7.52	2.52	18.86	15.96
27NTR7331575M315	20.062	2.2861	12" => 315 mm	1.7	2 1/2" => 75 mm	0.41	7.52	3.23	19.57	16.28
27NTR7331590M315	20.651	2.3243	12" => 315 mm	1.7	3" => 90 mm	0.48	7.52	2.95	20.04	16.16
27NTR73315110M315	41.16	2.4867	12" => 315 mm	1.7	3 1/2" => 110 mm	0.59	7.52	3.15	21.18	16.36
27NTR73315125M315	23.36	2.7554	12" => 315 mm	1.7	4" => 125 mm	0.67	7.52	3.94	21.89	17.54
27NTR73315160M315	48.056	3.0082	12" => 315 mm	1.7	6" => 160 mm	0.86	7.52	3.78	23.9	17.54
27NTR73315200M315	56.213	3.7819	12" => 315 mm	1.7	8" => 200 mm	1.08	7.52	7.48	24.76	21.28
27NTR73315250M315	62.642	4.1006	12" => 315 mm	1.7	10" => 250 mm	1.35	7.52	7.48	26.85	21.28

MANUFACTURER'S WARRANTY:

Thirty (30) Years from the date of sale upon successful completion of pressure test of the piping system (refer to published warranty for complete details).

NOTE:

* More information can be found on NIRON TECHNICAL CATALOGUE

*** In order for Niron pipe and fittings to meet E-84 and/or CAN/ULC S102.2 for installation in a plenum application, it must be covered with a minimum of 1" or greater E-84 fiberglass insulation

**** Technical Data may undergo dimensional changes, check revision at the top



Nupi Americas, Inc.
314 Commerce Parkway
Early Branch, SC 29916
Phone: 813-398-3579
Fax: 813-398-3639
Mail: info@nupiamericas.com
Website: www.nupiamericas.com