

SUBMITTAL DATA SHEET

NI_G_IN_00135.docx
Rev. -0 of 11/09/2023



NIRON CLIMA ELECTROFUSION FITTING REDUCER



ITEM: 27NRDE_
SIZE RANGE SDR 7.4: 1" x 3/4" (32 mm x 25 mm) ÷ 2" x 1" (63 mm x 32 mm)
SIZE RANGE SDR 11: 2" x 1 1/4" (63 mm x 40 mm) ÷ 10" x 8" (250 mm x 200 mm)
SDR: 11, 7.4
FUSION RANGE: For Electrofusion:
- 1" x 3/4" (32 mm x 25 mm) ÷ 2" x 1" (63 mm x 32 mm) – only SDR 7.4, 9
- 2" x 1 1/4" (63 mm x 40 mm) ÷ 10" x 8" (250 mm x 200 mm) – SDR 11 and up

MATERIAL: PP-RCT (Borealis RA 7050 beta crystalline random copolymer PP)

COLOR: Steel Grey

INSTALLATION INSTRUCTIONS:

Electrofusion - Electrofusion in accordance with ASTM F1290 and Nupi America's Niron Installation Manual

PIN SIZE: Ø 0.16 in (4 mm)

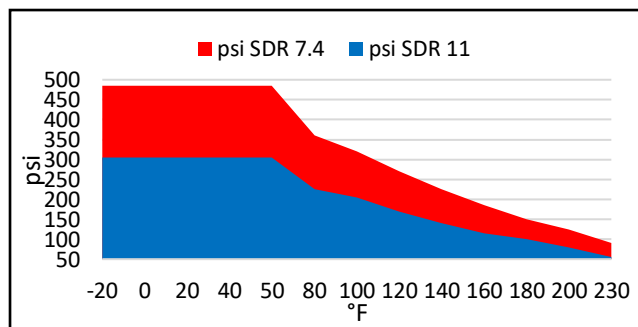
LISTINGS:

NSF PW; ANSI/NSF 14; ANSI/NSF 61; ANSI/NSF 51; UPC; IPC; IAPMO; ICC-ES

STANDARDS:

ANSI/NSF 14; ANSI/NSF 61; ASTM F2389; ASTM F2023; CSA B137,11; ASTM E-84***; CAN/ULC S102***; NSF 51; ISO 15874

MAXIMUM OPERATING PRESSURE:



For code or standard question pertaining to NIRON CLIMA Pipe and Fittings, contact Nupi Americas.

PRODUCT INFORMATION AND APPLICATION USE:

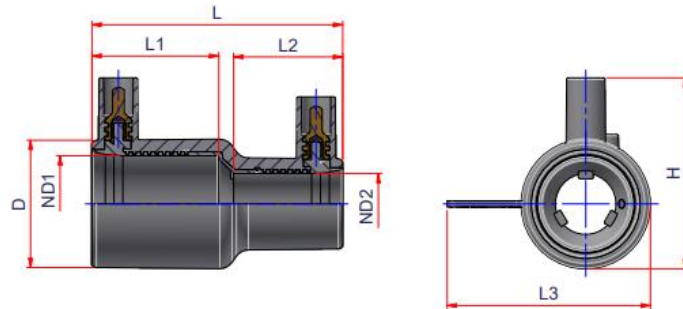
Niron Electrofusion Fittings are designed to be joined with electrofusion in accordance with the above listed installation instructions. Fittings are a dry fit type of fitting that have a wire coil embedded in the part which when electric current runs through the wire coil will create heat to fuse the fitting. Pressure rating of the part is temperature dependent and noted in the above pressure rating table. Fitting is injection molded, and of a solid grey color.



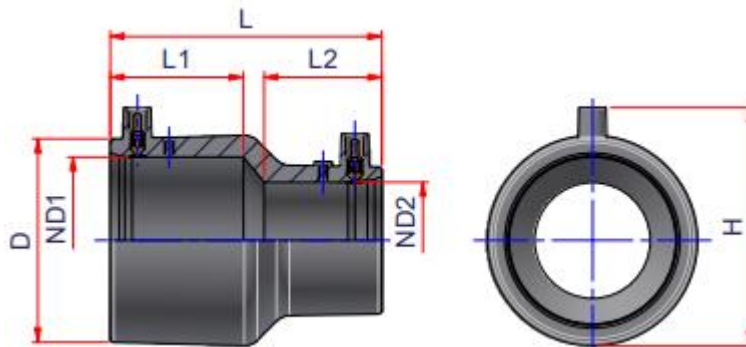
Nupi Americas, Inc.
314 Commerce Parkway
Early Branch, SC 29916
Phone: 813-398-3579
Fax: 813-398-3639
Mail: info@nupiamericas.com
Website: www.nupiamericas.com

SUBMITTAL DATA SHEET

NI_G_IN_00135.docx
Rev. -0 of 11/09/2023



CODE	TYPE	Weight lbs/pc	Volume ft ³ /pc	ND1	ND2	D	L1	L2	L3	L	H
27NRDE3225	A	0.202	0.0135	1" => 32 mm	3/4" => 25 mm	1.73	1.56	1.56	2.76	3.33	2.54



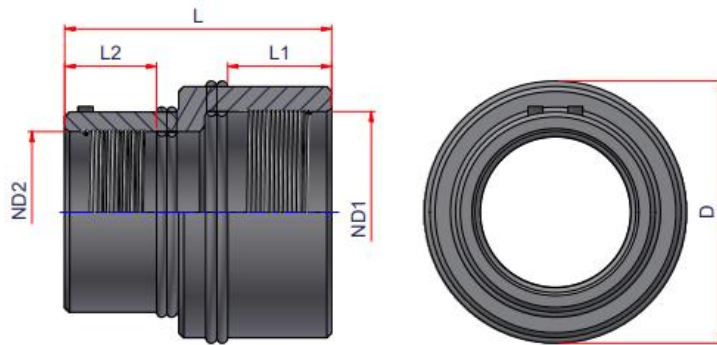
CODE	TYPE	Weight lbs/pc	Volume ft ³ /pc	ND1	ND2	D	L1	L2	L	H
27NRDE4032	B	0.253	0.0137	1 1/4" => 40 mm	1" => 32 mm	2.17	1.85	1.65	3.74	2.91
27NRDE5032	B	0.308	0.0192	1 1/2" => 50 mm	1" => 32 mm	2.52	1.95	1.63	3.94	3.35
27NRDE5040	B	0.374	0.0198	1 1/2" => 50 mm	1 1/4" => 40 mm	2.52	1.95	1.87	4.06	3.35
27NRDE6332	B	0.475	0.0337	2" => 63 mm	1" => 32 mm	3.21	2.19	1.65	4.65	3.9
27NRDE6340	B	0.502	0.0337	2" => 63 mm	1 1/4" => 40 mm	3.21	2.17	1.77	4.65	3.9
27NRDE6350	B	0.49	0.0337	2" => 63 mm	1 1/2" => 50 mm	3.21	2.19	1.97	4.65	3.9
27NRDE7563	B	0.689	0.0488	2 1/2" => 75 mm	2" => 63 mm	3.82	2.36	2.24	4.92	4.49
27NRDE9063	B	1.051	0.0799	3" => 90 mm	2" => 63 mm	4.53	2.68	2.44	5.91	5.16
27NRDE9075	B	1.048	0.0819	3" => 90 mm	2 1/2" => 75 mm	4.57	2.889	2.56	6	5.16
27NRDE1163	B	1.414	0.1148	3 1/2" => 110 mm	2" => 63 mm	5.31	2.85	2.48	6.3	5.93
27NRDE1190	B	1.456	0.1133	3 1/2" => 110 mm	3" => 90 mm	5.31	2.87	2.7	6.22	5.93
27NRDE1263	B	1.471	0.1438	4" => 125 mm	2" => 63 mm	5.91	2.99	2.56	6.4	6.57
27NRDE1290	B	1.612	0.1416	4" => 125 mm	3" => 90 mm	5.91	3.15	2.76	6.3	6.57
27NRDE1211	B	1.86	0.148	4" => 125 mm	3 1/2" => 110 mm	6.14	2.76	2.81	6.34	6.57
27NRDE1690	B	2.645	0.2485	6" => 160 mm	3" => 90 mm	7.56	3.19	2.83	6.97	8.15
27NRDE1611	B	2.847	0.2624	6" => 160 mm	3 1/2" => 110 mm	7.56	3.19	3.03	7.36	8.15
27NRDE1612	B	2.645	0.2368	6" => 160 mm	4" => 125 mm	7.36	3.3	2.91	7.03	7.91



Nupi Americas, Inc.
314 Commerce Parkway
Early Branch, SC 29916
Phone: 813-398-3579
Fax: 813-398-3639
Mail: info@nupiamericas.com
Website: www.nupiamericas.com

SUBMITTAL DATA SHEET

NI_G_IN_00135.docx
Rev. -0 of 11/09/2023



CODE	TYPE	Weight lbs/pc	Volume ft ³ /pc	ND1	ND2	D	L1	L2	L
27NRDE2016	C	11.644	0.8163	8" => 200 mm	6" => 160 mm	9.88	4.53	3.94	14.45
27NRDE250200	C	16.92	0.8007	10" => 250 mm	8" => 200 mm	11.81	4.82	4.25	9.92

MANUFACTURER'S WARRANTY:

Thirty (30) Years from the date of sale upon successful completion of pressure test of the piping system (refer to published warranty for complete details).

NOTE:

* More information can be found on NIRON TECHNICAL CATALOGUE

*** In order for Niron pipe and fittings to meet E-84 and/or CAN/ULC S102.2 for installation in a plenum application, it must be covered with a minimum of 1" or greater E-84 fiberglass insulation

**** Technical Data may undergo dimensional changes, check revision at the top



Nupi Americas, Inc.
314 Commerce Parkway
Early Branch, SC 29916
Phone: 813-398-3579
Fax: 813-398-3639
Mail: info@nupiamericas.com
Website: www.nupiamericas.com