

**NIBCO**

1516 Middlebury Street
Elkhart, IN 46516-4740

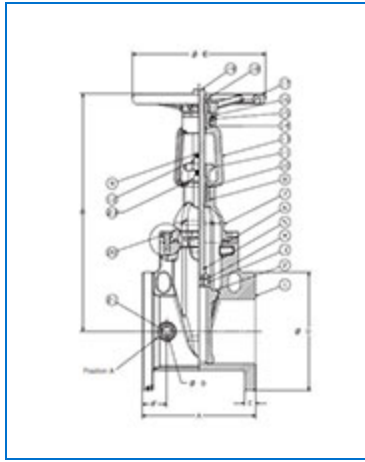
Phone: 574.295.3000 • **Fax:** 800.234.0557

E-Mail: info@nibco.com • **Web site:** www.nibco.com

Material Number NS2920M, F-607-RWS - Gate Valve - Ductile Iron, Fire Protection, Resilient Wedge

The resilient wedge, ductile iron gate valve features Class 125 flanged, flat face end connections for easy installation and accessibility. Outside screw and yoke (OS&Y) gate valves are recommended when positive shutoff and a quick visual indicator of open/closed position is required. This valve features a pre-grooved stem for tamper switch mounting and is drilled, tapped, and plugged at location "A" for bypass. It is listed by Underwriters Laboratories of the US and Canada (UL/ULC) and FM

[+ more](#)



[Specifications](#) | [Materials](#)

| Specifications | |
|------------------------|---|
| UPC Code | 039923366191 |
| Type | Gate Valve |
| Valve Size | 10 |
| Connection Type | F -- Flanged |
| Valve Operator | Standard Handwheel |
| Description | F-607-RWS 10 F OSYRW SSSTM ULFMGT DI300 |
| Turns/Operation | Multi-Turn |
| Weight | 324.080 lb |

| Materials | |
|----------------------------|--------------|
| Valve Body Material | Ductile Iron |

Stem Material

Stainless Steel 304