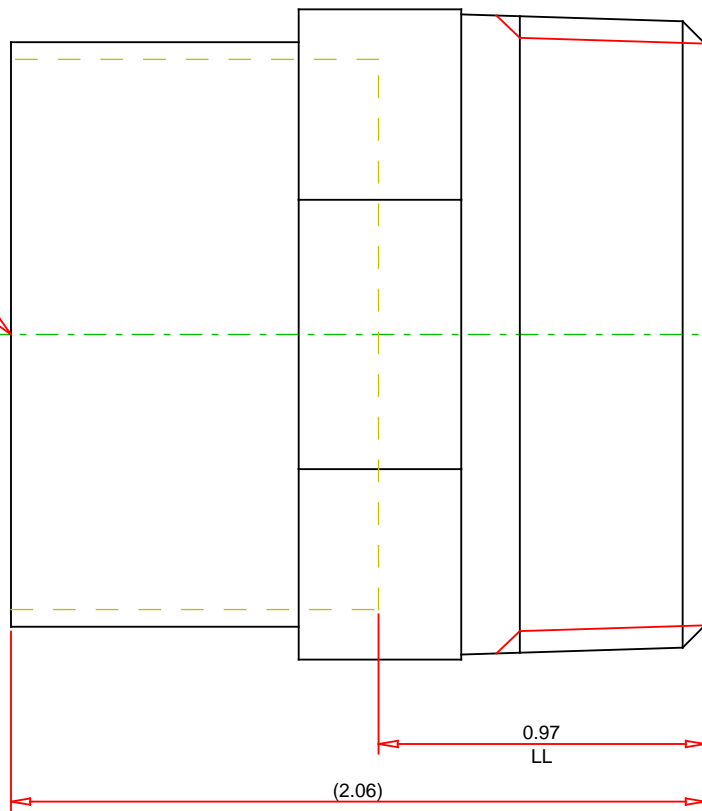
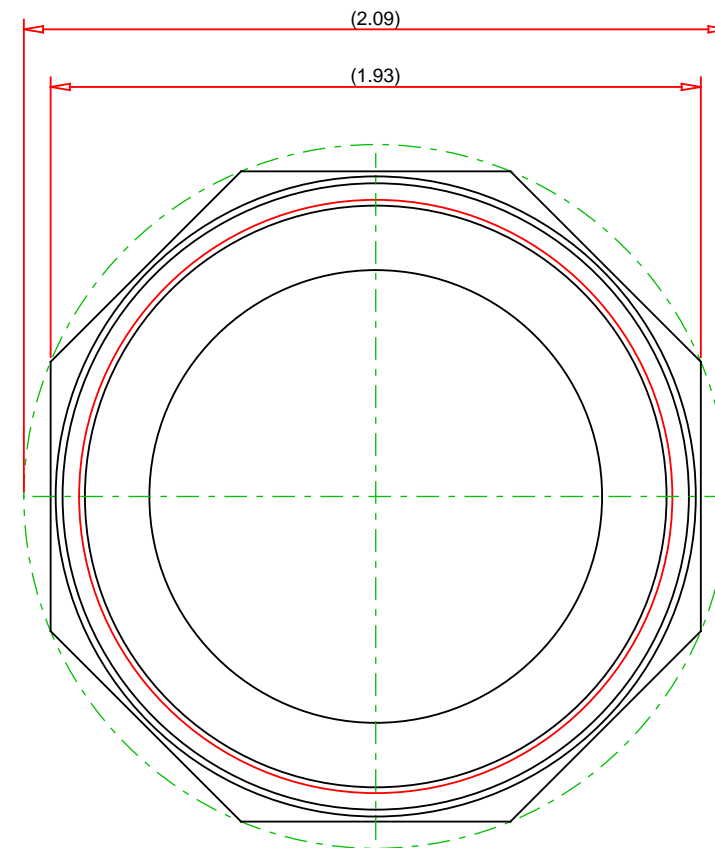


SIZE 1 1/2"



MNPT 1 1/2"



DATE 10-NOV-2021

Note : - Drawing not to Scale
- Dimensions subject to change.
- All dimensions are nominal values and for reference only.

Part No. :
9032000
Description :
Adapter C x M - Wrot, 604

NIBCO
AHEAD OF THE FLOW™

NIBCO INC.

Address : 1516 Middlebury Street
P.O. Box 1167 Elkhart
Tel. : 800.234.0227
Email : Info@nibco.com
Web : <http://www.nibco.com/>