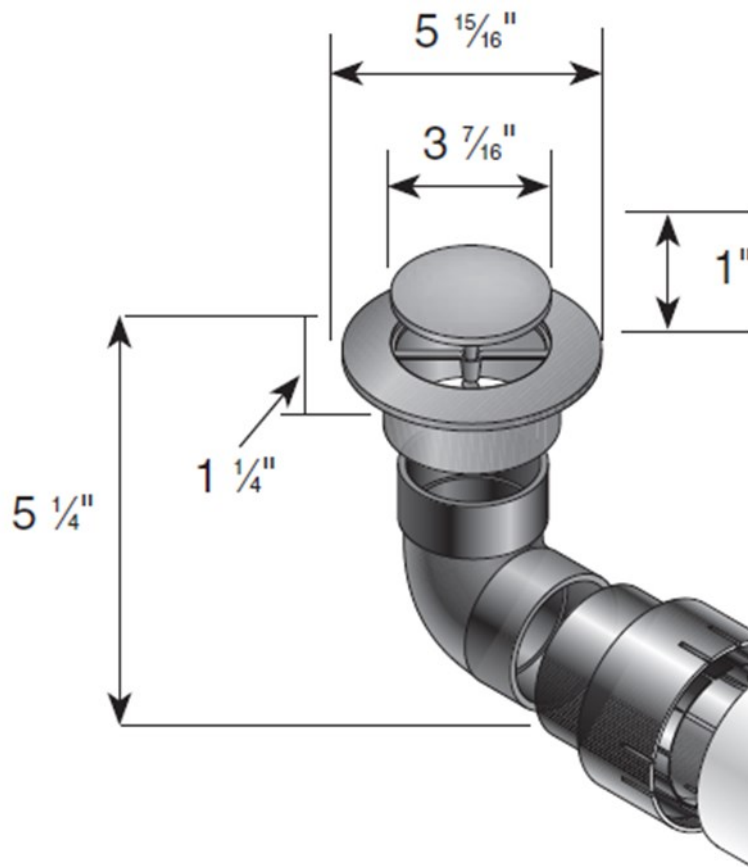


3" and 4" Pop-Up Drainage Emitter with Elbow and Universal Adapter



Part #: 430
 Material:
 High Density Polypropylene (HDPE)
 Colors: Green
 Fits: 3" and 4" corrugated, sewer, triple wall pipe
 and 4" Sch. 40 pipe
 Open Surface Area: 10 Sq. Inches
 Spring: Stainless Steel Grade 302
 Open Pressure: 0.04 PSI
 Flow Rate:
 1" Head: 43.26 G.P.M
 0.5" Head: 30.59 GPM
 UV inhibitor
 Elbow: 1/4" drain hole

Load Recommendation Guide



Class A

- Loads of 1-60 psi.
- Recommended for pedestrians, bicycles and wheel chair traffic.

