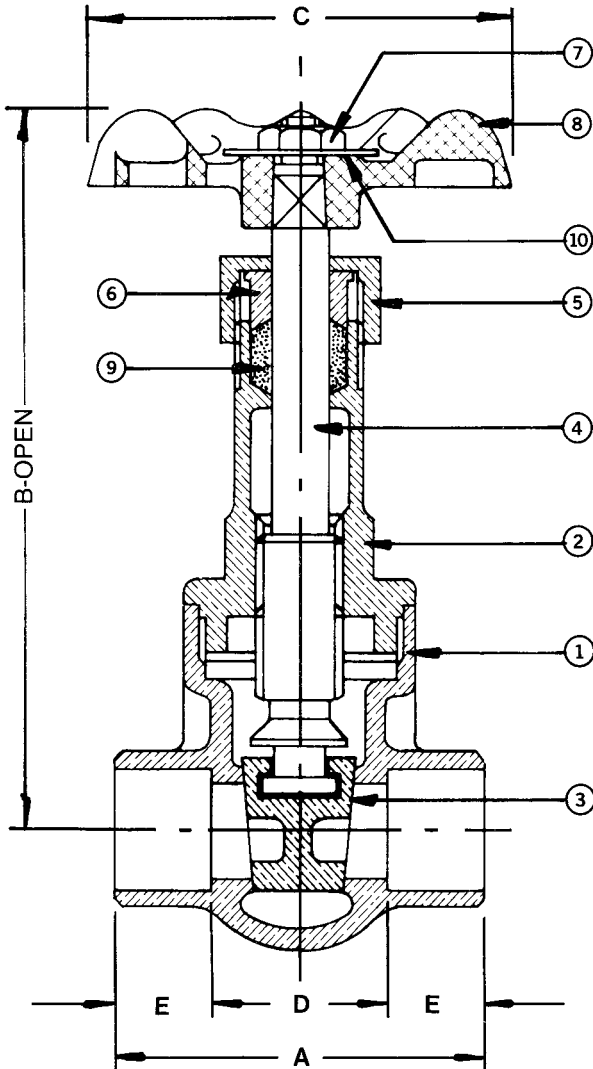


# 149 3/8"-4"

**Bronze Gate Valve**  
**125 SWP - 200 WOG †**  
**Solid Wedge Disc • Rising Stem**  
**Threaded Bonnet • Solder Ends**  
**Conforms to: MSS SP-80\***

MATERIAL LIST			
No.	PART	MATERIAL	SPECIFICATION
1	Body	Bronze	ASTM B62
2	Bonnet	Bronze	ASTM B62
3	Wedge	Bronze	ASTM B62
4	Stem	Bronze	ASTM B62
5	Packing Nut	Brass	ASTM B283 C37700
6 <sup>1</sup>	Gland	Brass	ASTM B124 C37700
7	Handwheel Nut	Brass	Commercial
8	Handwheel	Mall. Iron	Commercial
9	Packing	Graphite	Commercial
10	Name Plate	Sh. Alum	Commercial

<sup>1</sup> Not used on 1/2" and smaller



Note: Not intended for use in potable water.

DIMENSIONS - INCHES/MILLIMETERS							
Units	Size	A	B	C	D	E	C <sub>v</sub>
Inches mm	3/8	1.63 41	4.31 110	2.00 51	0.88 22	0.38 10	10.7
Inches mm	1/2	1.88 48	4.31 110	2.00 51	0.88 22	0.50 13	17.6
Inches mm	3/4	2.50 64	6.25 159	2.50 64	1.00 25	0.75 19	32.0
Inches mm	1	3.00 76	7.00 178	2.75 70	1.19 30	0.91 23	54.0
Inches mm	1 1/4	3.25 83	8.63 219	3.44 87	1.31 33	0.97 25	97.0
Inches mm	1 1/2	3.63 92	9.50 241	3.75 95	1.44 37	1.09 28	135.0
Inches mm	2	4.31 110	11.50 292	3.75 95	1.63 41	1.34 34	230.0
Inches mm	2 1/2	4.81 122	14.31 364	4.75 121	1.88 48	1.47 37	337.0
Inches mm	3	5.44 138	16.38 416	5.25 133	2.13 54	1.66 42	536.0
Inches mm	4	7.25 184	15.50 394	5.25 133	2.93 75	2.16 55	960.0

† Non-Shock

\* 4" is not covered in MSS SP-80. It has a split wedge and bolted bonnet.

**INNOVATION** IN EVERY VALVE

The information presented on this sheet is correct at time of publication. Milwaukee Valve reserves the right to change design and/or materials without notice. For our Installation, Operation and Maintenance Manual and the most current product information go to [www.milwaukeevalve.com](http://www.milwaukeevalve.com).  State of California Prop 65  
**WARNING:** Cancer and Reproductive Harm. For more information visit [www.p65warnings.ca.gov](http://www.p65warnings.ca.gov).

  
**MILWAUKEE VALVE**