

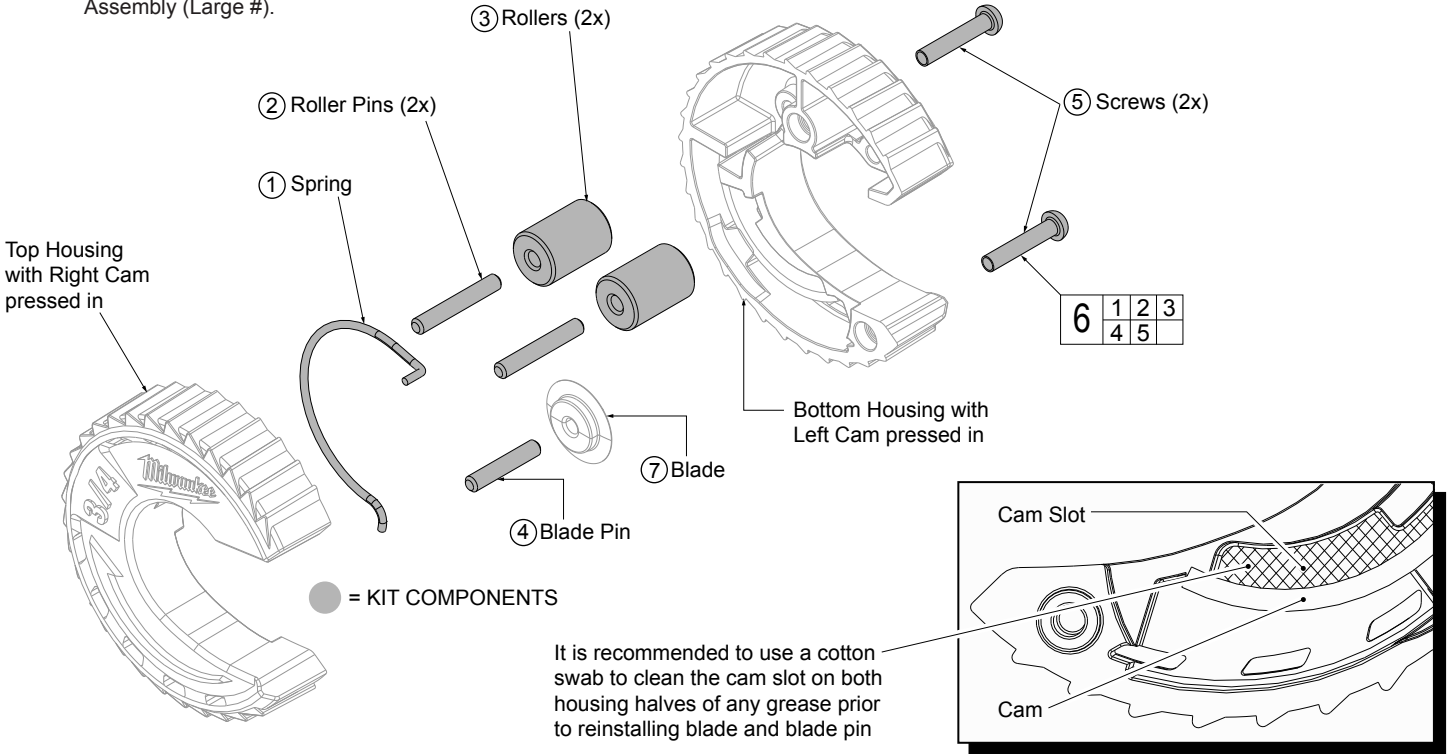


# SERVICE PARTS LIST

**BULLETIN NO.**  
54-49-3161

SPECIFY CATALOG NO. AND SERIAL NO. WHEN ORDERING PARTS		REVISED BULLETIN	DATE
<b>CLOSE QUARTER COPPER TUBING CUTTERS</b>			June 2017
<b>CATALOG NO.</b>	<b>48-22-4260</b>	<b>1/2" Close Quarter Copper Tubing Cutter</b>	
	<b>48-22-4261</b>	<b>3/4" Close Quarter Copper Tubing Cutter</b>	
	<b>48-22-4262</b>	<b>1" Close Quarter Copper Tubing Cutter</b>	

**EXAMPLE:**  
Component Parts  
(Small #) Are Included  
When Ordering The  
Assembly (Large #).



**For 48-22-4260**  
**1/2" CLOSE QUARTER COPPER TUBING CUTTER**

FIG.	PART NO.	DESCRIPTION OF PART	NO. REQ.
1	-----	Spring	(1)
2	-----	Roller Pin	(2)
3	-----	Roller	(2)
4	-----	Blade Pin	(1)
5	-----	Pan Head Phillips Screw	(2)
6	14-46-4266	Spring/Roller/Pin Service Kit	(1)
7	48-22-4266	Replacement Cutter Wheel (Set of 2) (Accessory)	(1)

**For 48-22-4261**  
**3/4" CLOSE QUARTER COPPER TUBING CUTTER**

FIG.	PART NO.	DESCRIPTION OF PART	NO. REQ.
1	-----	Spring	(1)
2	-----	Roller Pin	(2)
3	-----	Roller	(2)
4	-----	Blade Pin	(1)
5	-----	Pan Head Phillips Screw	(2)
6	14-46-4267	Spring/Roller/Pin Service Kit	(1)
7	48-22-4266	Replacement Cutter Wheel (Set of 2) (Accessory)	(1)

**For 48-22-4262**  
**1" CLOSE QUARTER COPPER TUBING CUTTER**

FIG.	PART NO.	DESCRIPTION OF PART	NO. REQ.
1	-----	Spring	(1)
2	-----	Roller Pin	(2)
3	-----	Roller	(2)
4	-----	Blade Pin	(1)
5	-----	Pan Head Phillips Screw	(2)
6	14-46-4268	Spring/Roller/Pin Service Kit	(1)
7	48-22-4266	Replacement Cutter Wheel (Set of 2) (Accessory)	(1)

