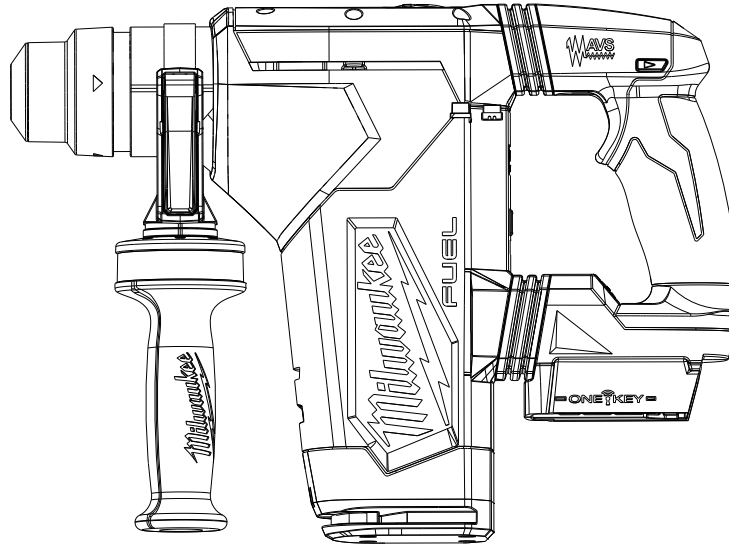




SERVICE PARTS LIST

BULLETIN NO.
54-00-2915

SPECIFY CATALOG NO. AND SERIAL NO. WHEN ORDERING PARTS		REVISED BULLETIN	DATE
M18 FUEL™ 1-1/8" (3kg) Rotary Hammer w/ One-Key			Sept. 2021
CATALOG NO.	2915-20	SERIAL NUMBER	L87A
WIRING INSTRUCTION			



EXTERNAL SERVICE PARTS	PAGE 2-3
LUBRICATION INSTRUCTIONS	PAGE 4
WIRING INSTRUCTIONS	PAGE 5

Service for the **ELECTRONICS** on Milwaukee Tool **ONE KEY** Products **can only be performed at this Milwaukee factory Central Repair Center:**

MILWAUKEE TOOL Central Repair
1401 Sycamore Avenue • Greenwood, MS 38930-7277

Please send your tool directly to this location for service.

Or

Via e-Service at: www.milwaukeetool.com/e-service
 questions, please call 1.800.SAWDUST (1.800.729.3878)

Or

Return it to a MILWAUKEE *factory* Service Center location, freight prepaid and insured. A copy of the proof of purchase should be included with the return product.

If you have questions please contact Milwaukee Product Service at:

Product Technical Support via phone at: 262.783.8642

Or

Via email at: [METProductSupport @milwaukeetool.com](mailto:METProductSupport@milwaukeetool.com)

Disassembly is not recommended and could void the warranty.

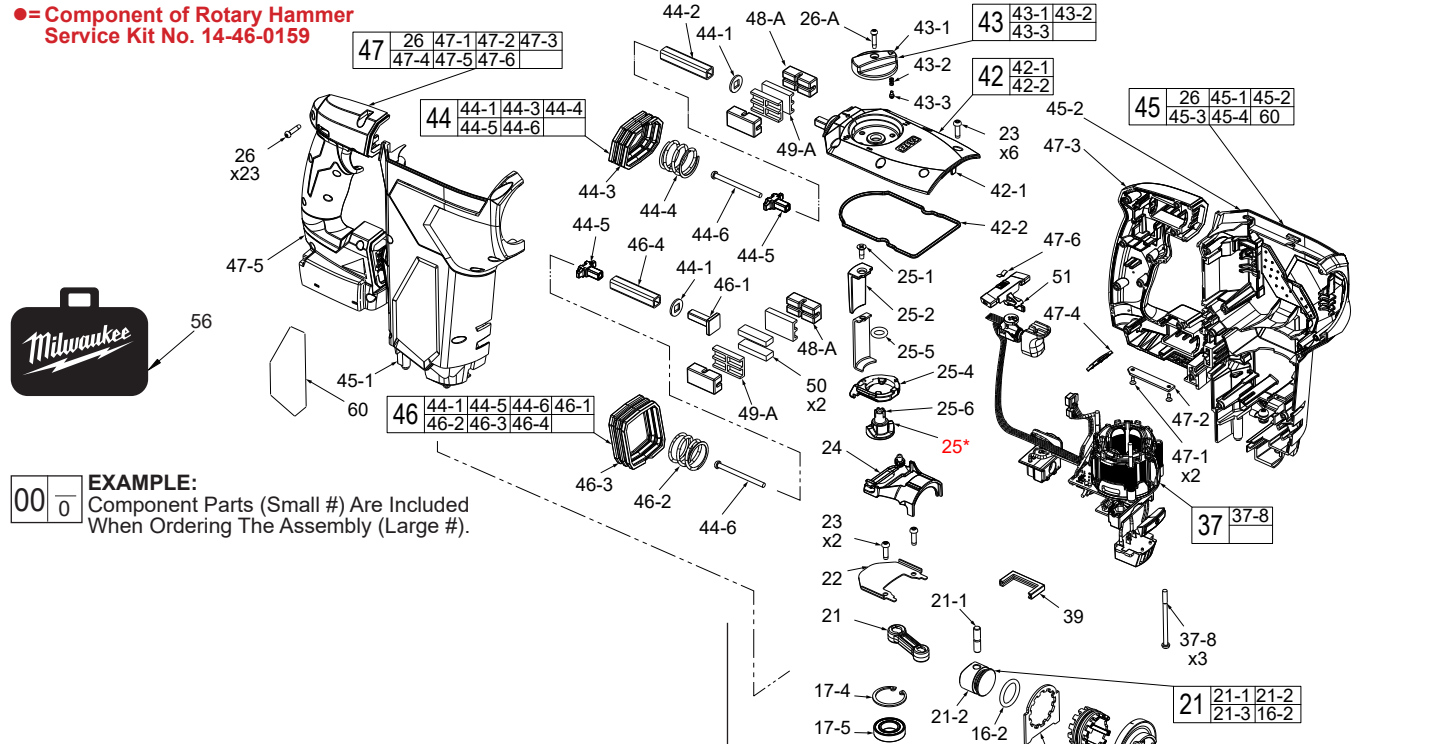


SERVICE PARTS LIST

BULLETIN NO.
54-00-2915

SPECIFY CATALOG NO. AND SERIAL NO. WHEN ORDERING PARTS		REVISED BULLETIN	DATE
M18 FUEL™ 1-1/8" (3kg) Rotary Hammer w/ One-Key			Sept. 2021
CATALOG NO.	2915-20	STARTING SERIAL	L87A
		WIRING INSTRUCTION	SEE PAGE 4

● = Component of Rotary Hammer Service Kit No. 14-46-0159



EXAMPLE:
Component Parts (Small #) Are Included When Ordering The Assembly (Large #).

FIG.	PART NO.	DESCRIPTION OF PART	NO. REQ.
16-2	34-40-0317	O-Ring	1
17	14-30-0131	Motor Geartrain Assembly	1
17-1	34-60-0078	Retaining Ring	1
17-2	42-40-0037	Rear Spindle Bushing	1
17-3	28-14-0048	Main Gearcase	1
17-4	34-60-0079	Snap Ring	1
17-5	02-08-0010	Ball Bearing	1
● 17-6	34-40-0316	Square Ring	1
18	32-75-0033	Bevel Gear	1
19	45-22-0027	Drill Sleeve	1
20	44-66-0211	Locking Plate	1
21	44-90-0720	Piston Assembly	1
21-1	-----	Piston Pin	1
21-2	-----	Piston	1
21	44-94-0720	Connecting Rod Assembly	1
22	44-66-0213	Clam Plate	1
23	05-78-5316	M4 x 0.7 Pan Hd. Screw	8
24	14-46-0256	Mode Select Fork Assembly	1
24-1	-----	Fork Spring	1
24-2	-----	Fork	1
25	14-46-0257	Lifting Assembly	1
25-1	05-78-0135	M4 x 12mm ST Screw	1
25-2	44-14-0032	Bow Lifting Support	1
25-3	44-14-0033	Bow Lifting	1
25-4	31-76-0029	Shift Driver	1
25-5	34-40-0318	O-Ring	1
25-6	31-76-0031	Shifting Coupler	1
26	06-82-2025	M3.5 x 16mm Pan Hd Screw	23
27	14-08-0015	Clutch Assembly	1
28	02-50-0013	Thrust Needle Bearing	1
29	45-88-0246	Thrust Washer	1
30	14-09-0020	Crank Assembly	1
30-1	-----	Crank Shaft	1
30-2	-----	Snap Ring	1
30-3	-----	Snap Washer	1
30-4	-----	Spring	1
30-5	-----	Shifting Ring	1
30-6	-----	Crank Gear	1
30-7	-----	Snap Ring	1
37	-----	Motor/ PCBA Assembly	1
37-8	-----	59mm Stator Screw	3
● 39	42-38-0024	Bluetooth Rubber Bumper	1
● 40	43-84-0031	Felt Plug	1
41	43-84-0032	Breathe Hole	1
42	14-30-0134	Gearcase Cover Kit	1
42-1	31-15-0161	Gearcase Cover	1
● 42-2	45-06-0069	Gearcase Cover Seal	1
43	23-66-0111	Mode Selector Assembly	1
43-1	43-98-0062	Mode Selector	1
43-2	40-50-0091	Switch Spring	1
43-3	44-18-0010	Detent Button	1
44	14-46-0258	Top AVS Assembly	1

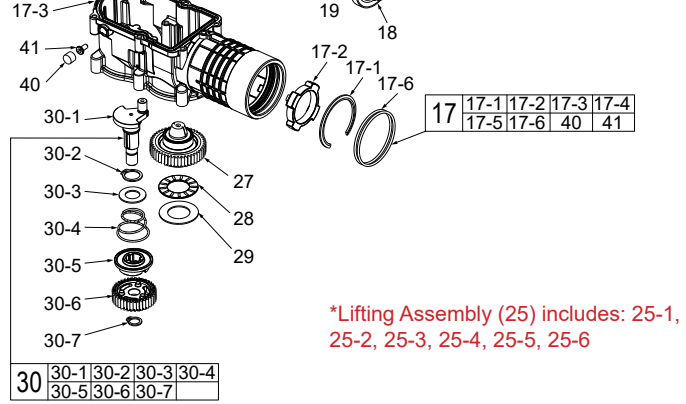
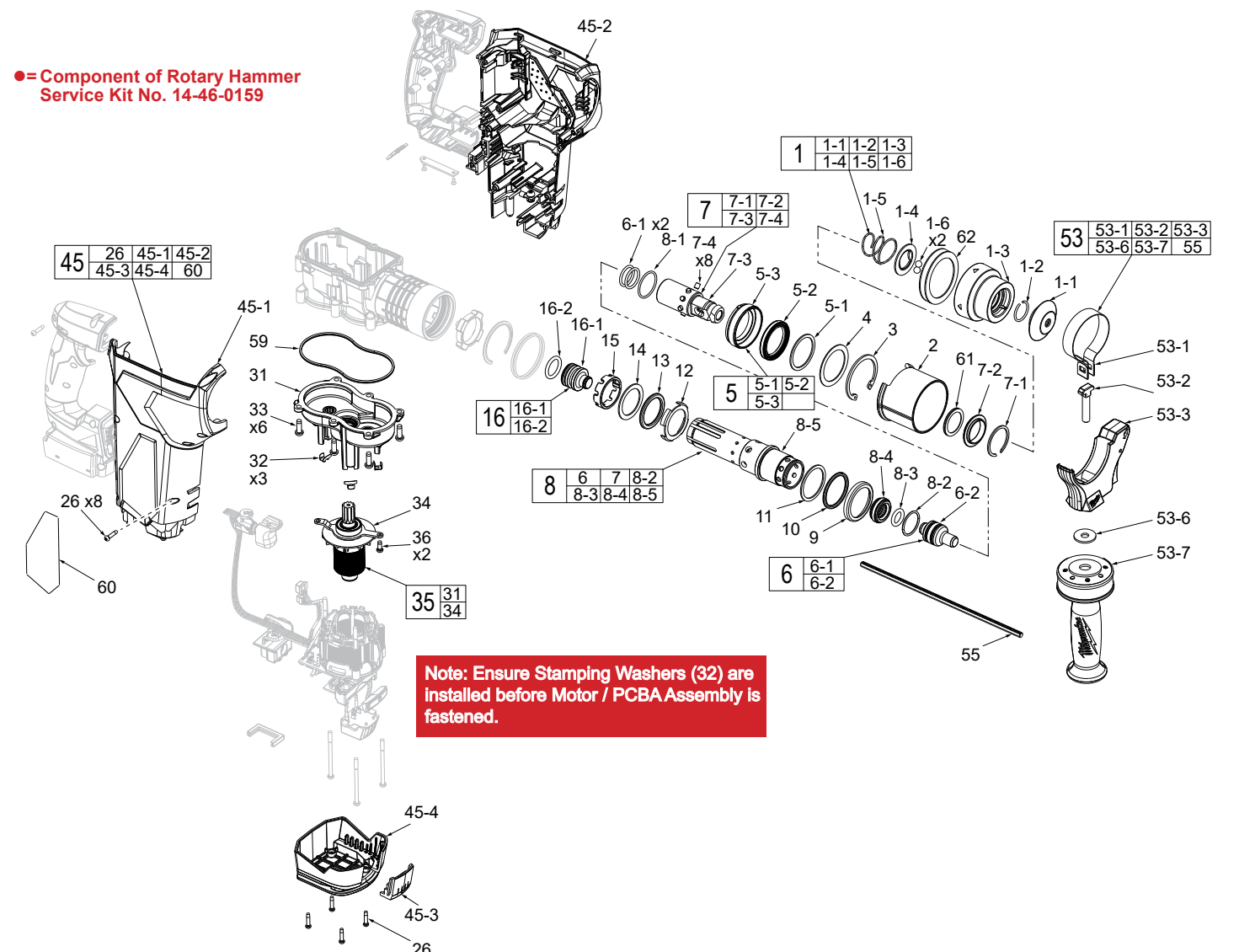


FIG.	PART NO.	DESCRIPTION OF PART	NO. REQ.
44-1	-----	Vibration Washer	2
44-2	-----	Top Square Guide	1
44-3	-----	Upper Grommet	1
44-4	-----	Top Spring	1
44-5	-----	Retaining Plate	2
44-6	-----	M4 Screw	2
45-1	-----	Housing Cover	1
45-2	-----	Housing Support	1
46	14-46-0259	Bottom AVS Assembly	1
46-1	-----	T-Bracket	1
46-2	-----	Spring	1
46-3	-----	Back Bellows	1
46-4	-----	Square Guide	1
47	14-34-0006	Handle Assembly	1
47-1	05-88-0080	M2.5 Screw	2
47-2	-----	Coin Cell Door	1
47-3	-----	Handle Support	1
47-4	-----	Auto Stop Nameplate	1
47-5	-----	Handle Cover	1
47-6	-----	Spring Plate	1
56	42-55-0088	BMC Kit	1
60	12-20-0449	Service Nameplate	1

*Lifting Assembly (25) includes: 25-1, 25-2, 25-3, 25-4, 25-5, 25-6

MILWAUKEE TOOL • www.milwaukeetool.com
13135 W. Lisbon Road, Brookfield, WI 53005
Drwg. 1

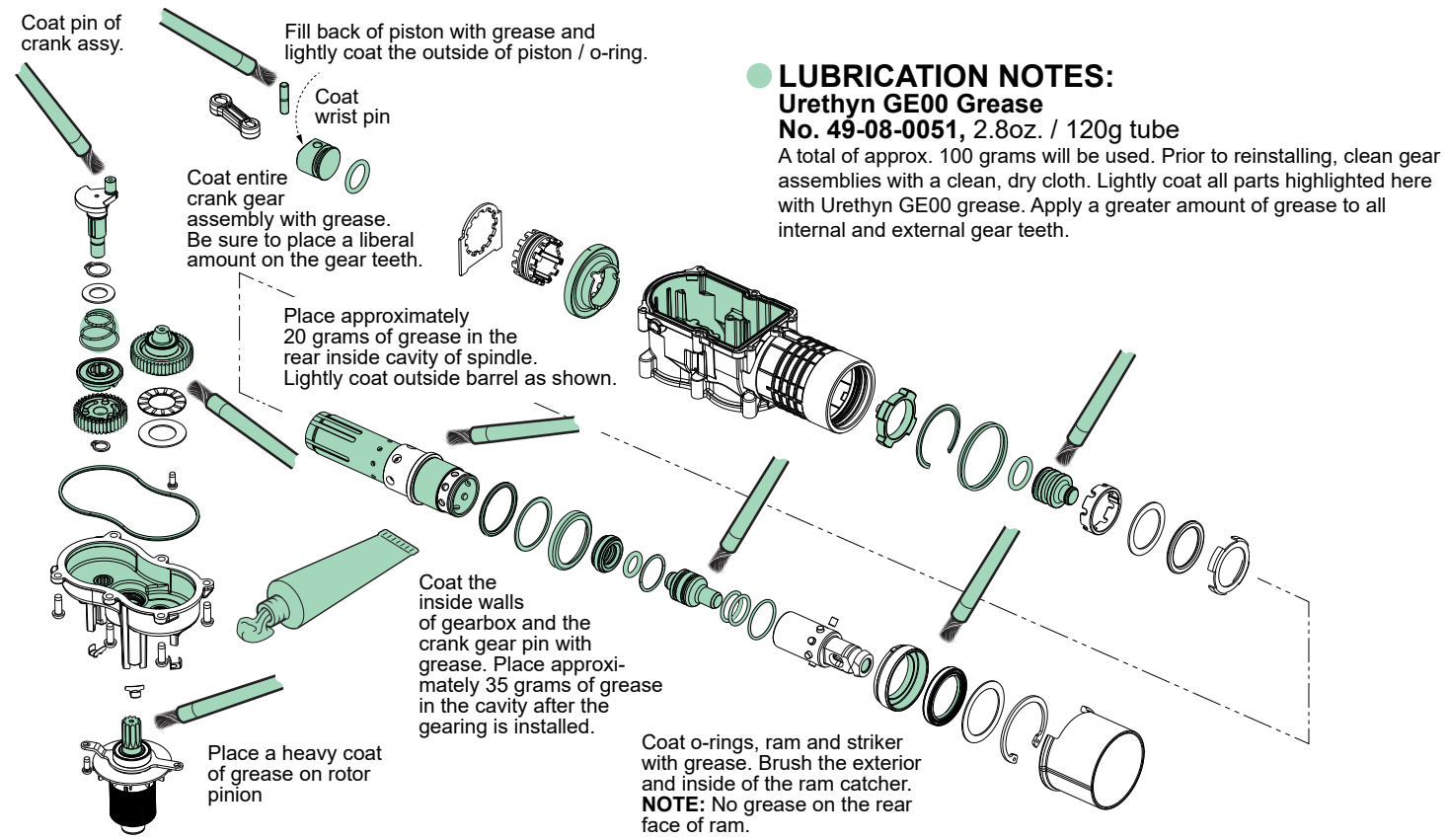
● = Component of Rotary Hammer Service Kit No. 14-46-0159



Note: Ensure Stamping Washers (32) are installed before Motor / PCBA Assembly is fastened.

FIG.	PART NO.	DESCRIPTION OF PART	NO. REQ.
1	42-76-0022	Collar Assembly	1
● 1-1	42-52-0066	Dust Cap	1
● 1-2	44-90-5262	C-Ring	1
1-3	42-76-0024	Sliding Collar	1
1-4	42-36-0053	Ball Support Plate	1
1-5	40-50-0082	Spring	1
1-6	02-02-0275	Steel Ball	2
2	42-76-0048	Sleeve	1
3	34-60-0076	Snap Ring	1
4	45-88-0242	Washer	1
5	14-86-0018	Front Spindle Bushing Assembly	1
● 5-1	45-06-0053	Felt Seal	1
● 5-2	45-06-0067	Spindle Seal	1
5-3	42-40-0036	Front Spindle Bushing	1
6	42-06-0083	Anvil Assembly	1
● 6-1	34-40-0309	O-Ring	2
6-2	-----	Anvil	1
7	14-73-0017	Front Spindle Assembly	1
● 7-1	34-60-0077	Snap Ring	1
7-2	44-90-0052	Steel Ring	1
7-3	38-50-0061	Front Spindle	1
7-4	42-60-0011	Spindle Pin	8
8	14-73-0021	Spindle Assembly	1
● 8-1	34-40-0308	Front Spindle O-Ring	1
● 8-2	34-40-0311	O-Ring	1
● 8-3	34-40-0312	Back Pressure Ring	1
8-4	43-06-0132	Anvil Guide	1
8-5	38-50-0062	Main Spindle	1
9	44-90-0053	Front Bumper Holder	1
● 10	34-40-0313	Front Bumper Ring	1
11	45-88-0243	Front Bumper Washer	1
12	45-88-0042	Rear Bumper Holder	1
● 13	34-40-0314	Rear Bumper Ring	1
14	45-88-0157	Rear Bumper Washer	1

FIG.	PART NO.	DESCRIPTION OF PART	NO. REQ.
15	42-76-0049	Spindle Collar	1
16	45-56-0053	Striker Assembly	1
16-1	45-56-0054	Striker	1
● 16-2	34-40-0317	O-Ring	1
26	06-82-2025	M3.5 x 16mm Pan Hd. Screw	8
31	14-30-0132	Lower Gearcase Assembly	1
31-1	-----	Needle Bearing	1
31-2	-----	Motor Seal	1
31-3	-----	Needle Bearing	1
31-4	-----	Lower Gearcase	1
32	45-88-0247	Stamping Washer	3
33	05-74-0990	M5 x 15mm Pan Hd Screw	6
34	14-50-0022	Motor Armature	1
35	14-30-0053	Lower Gearcase w/ Stator Assembly	1
36	05-78-0105	M4 x 0.7 Pan Hd. Screw	2
45	14-38-0094	Housing Assembly	1
45-1	-----	Housing Cover	1
45-2	-----	Housing Support	1
45-3	-----	Rubber Body	1
45-4	31-15-0083	Motor Cover	1
53	43-62-0048	Side Handle Assembly	1
53-1	42-68-0019	Side Handle Band	1
53-2	-----	M8 Screw	1
53-3	-----	Suide Handle Bracket	1
53-4	-----	Spring Plate	1
53-6	45-88-5377	Washer	1
53-7	43-98-0063	Anti-Vibe Side Handle	1
55	31-10-0031	Depth Gauge	1
● 59	45-06-0068	Seal	1
60	12-20-0449	Service Nameplate	1
61	45-06-0178	Steel Felt Ring	1
62	45-06-0177	Collar Felt Steel	1

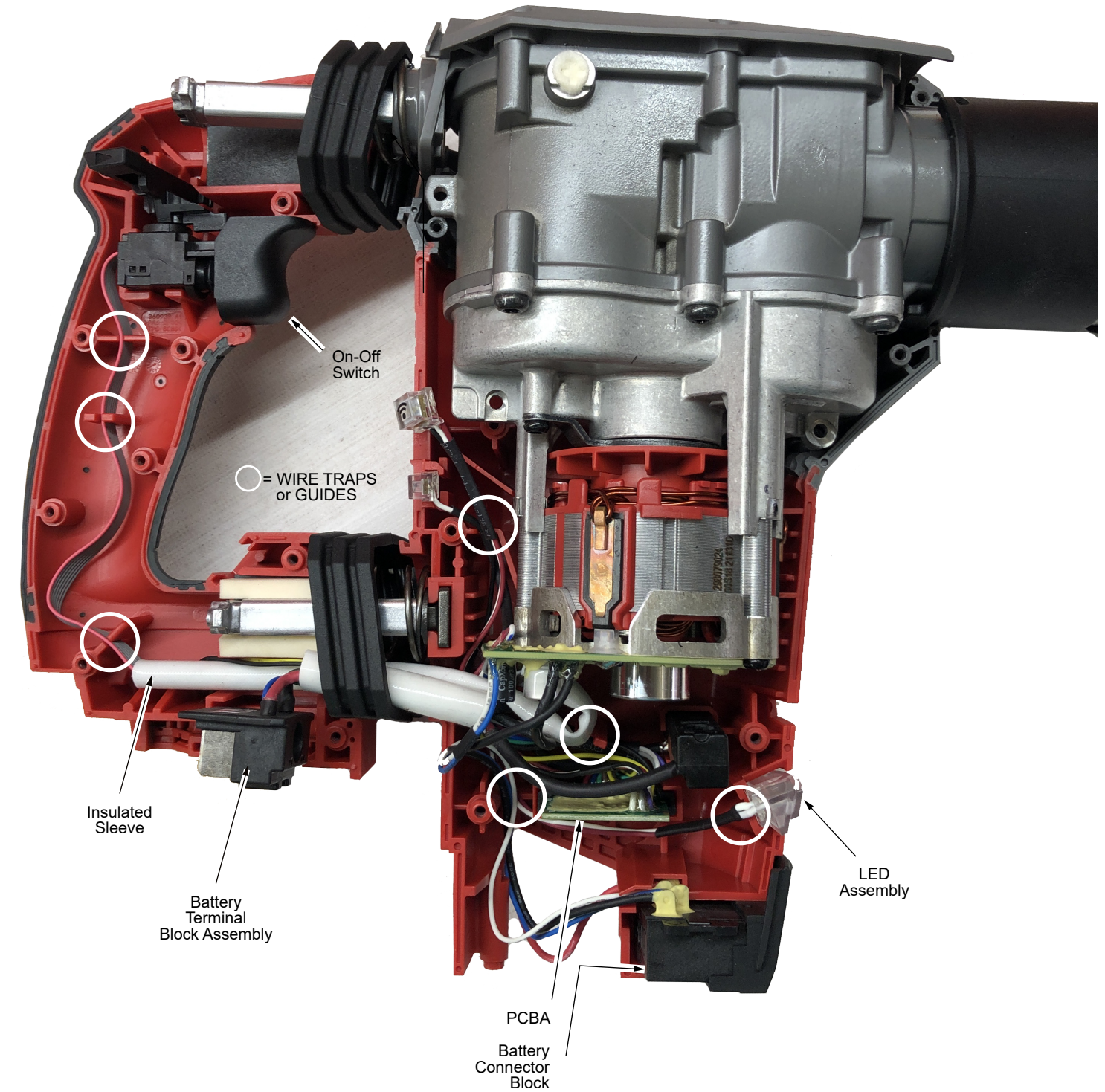


●14-46-0159
Rotary Hammer Service Kit

61	45-06-0178	Steel Ring Felt Seal	(1)
62	45-06-0177	Collar Felt Seal	(1)
1-1	42-52-0066	Dust Cap	(1)
1-2	44-90-0051	C-Ring	(1)
5-1	45-06-0053	Felt Seal	(1)
5-2	45-06-0067	Spindle Seal	(1)
6-1	34-40-0309	Anvil O-Ring	(2)
7-1	34-60-0077	Spindle Snap Ring	(1)
8-1	34-40-0308	Front Spindle O-Ring	(1)
8-2	34-40-0309	Anvil Guide O-Ring	(1)
8-3	34-40-0312	Back Pressure Ring	(1)
10	34-40-0313	Front Bumper Ring	(1)
13	34-40-0314	Rear Bumper Ring	(1)
16-2	34-40-0317	Striker O-Ring	(2)
17-6	34-40-0316	Square Ring	(1)
40	43-84-0031	Felt Plug	(1)
42-2	45-06-0069	Gearcase Cover Seal	(1)
59	45-06-0068	Lower Gearcase Seal	(1)
	49-08-0051	Urethyn GE00 Grease 120 grams required- (80 gram, 2.8oz tube)	(1)

SCREW TORQUE SPECIFICATIONS

FIG.	PART NO.	WHERE USED	SEAT TORQUE	
			(KG/CM)	(IN/LBS)
23	05-78-5316	Clamp Plate/Gearcase Cover	18	15
25-1	05-78-0135	Shift Driver	15	13
26	06-82-2025	Mode Selector, Housing Cup,	12	10
26	06-82-2025	Housing and Handles	12	10
33	05-74-0990	Lower and Main Gearcase	28	24
36	05-78-0105	Motor Clamp Plate	16	13
37-8	-----	Stator to Lower Gearcase	18	15
44-6	-----	Upper and Lower AVS	20	17
47-1	05-88-0080	Coin Cell Door	3	2



AS AN AID TO REASSEMBLY, TAKE NOTICE OF WIRE ROUTING AND POSITION IN WIRE GUIDES AND TRAPS WHILE DISMANTLING TOOL.

BE SURE THAT ALL COMPONENTS OF THE ELECTRONICS KIT ARE SEATED FIRMLY AND SQUARELY IN THE HOUSING RECESSES.

AVOID PINCHED WIRES, BE SURE THAT ALL WIRES AND SLEEVES ARE PRESSED COMPLETELY DOWN IN WIRE GUIDES AND TRAPS.

PRIOR TO INSTALLING THE HOUSING COVER ONTO THE HOUSING SUPPORT, BE SURE THAT THERE ARE NO INTERFERENCES.