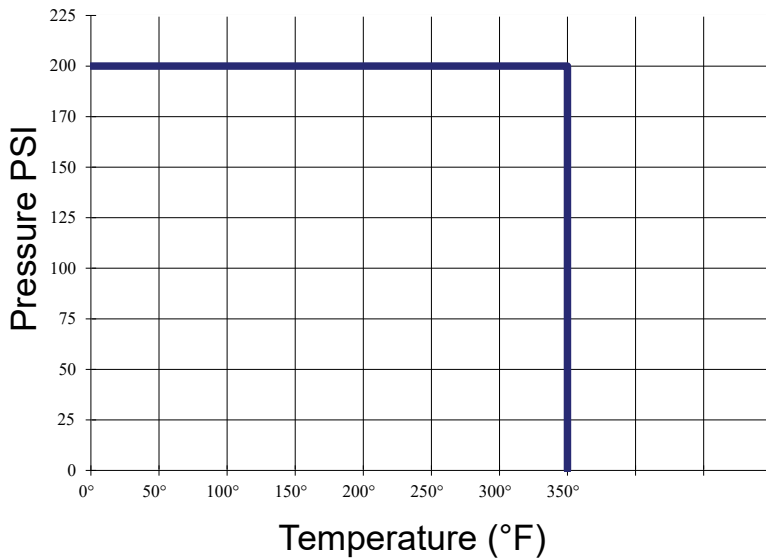


APPLICABLE STANDARDS:

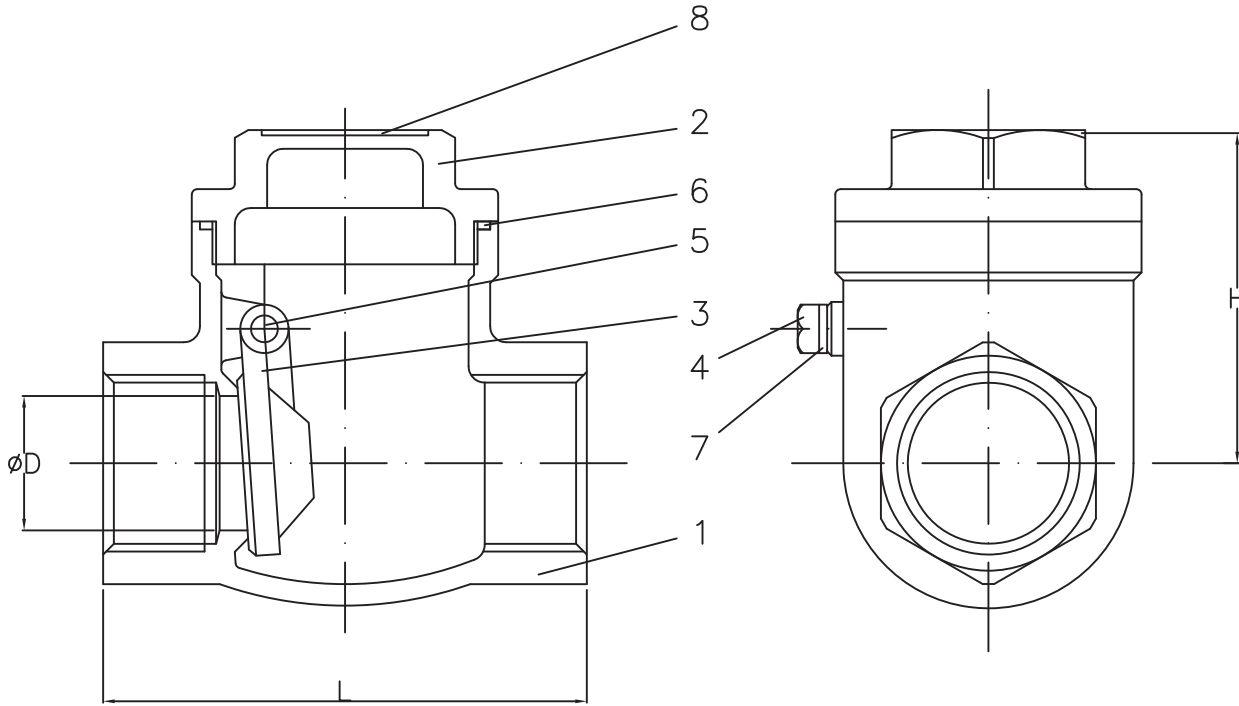
- Design: ASME B16.34
- Testing: API 598
- 200 PSI Working Pressure at 350°F



Cv, Weights & Port

Size	Cv	Wt (Lbs)	Port
1/4"	5.30	0.52	0.43
3/8"	5.30	0.49	0.43
1/2"	6.90	0.62	0.59
3/4"	16.30	1.01	0.79
1"	30	1.60	0.98
1-1/4"	49	2.56	1.26
1-1/2"	70	3.40	1.50
2"	130	5.78	1.97
2-1/2"	205	12.13	2.56
3"	306	15.34	3.15

Headquarters:
 One Merit Drive
 PO Box 43127
 Cleveland, OH 44143
 Tel: 216.261.9800
 Toll Free Tel: 800.726.9800
 Toll Free Fax: 855.MBFAXIT (623.2948)
 Email: sales@meritbrass.com
 Websites: www.meritbrass.com
 www.MBWebXpress.com



Unit: Inch

NO	PART NAME	QTY	MATERIAL
1	BODY	1	ASTM A351 CF8M
2	CAP	1	ASTM A351 CF8M
3	DISC	1	ASTM A351 CF8M
4	PLUG	1	SUS316
5	HINGE PIN	1	SUS316
6	JOINT GASKET	1	TEFLON
7	GASKET	1	TEFLON
8	NAME PLATE	1	ALUMINUM

Size	D Port	L	H
1/4"	0.43	2.36	1.63
3/8"	0.43	2.36	1.63
1/2"	0.59	2.56	1.89
3/4"	0.79	3.17	2.17
1"	0.98	3.54	2.44
1-1/4"	1.26	4.13	2.76
1-1/2"	1.50	4.72	3.15
2"	1.97	5.51	3.54
2-1/2"	2.56	7.09	4.53
3"	3.15	7.87	4.92