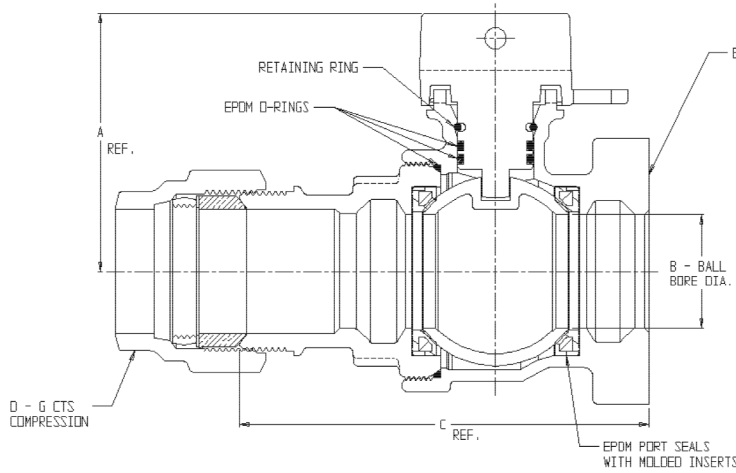


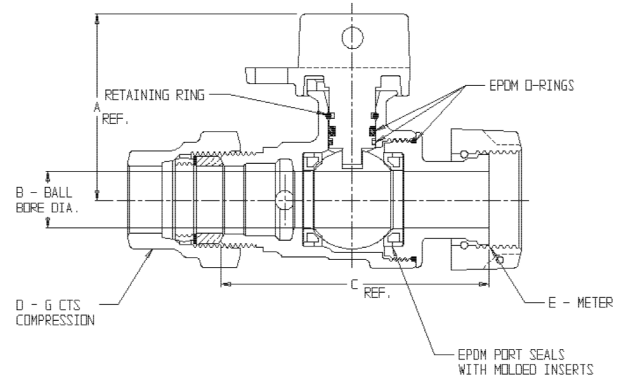
SUBMITTAL DATA SHEET

NL Ball Style Meter Stop – 76100MWG

G CTS Compression x Meter



MODEL	SIZE	A	B	C	D	E
76100MWG	1 1/2	3.40	1.50	5.40	1 1/2	1 1/2
76100MWG	2	3.71	2.00	6.55	2	1/2 OR 2



DRAWING MAY NOT RESEMBLE ACTUAL VALVE CONFIGURATION

MODEL	SIZE	A	B	C	D	E
76100MWG	3/4 X 5/8 X 5/8	2.31	.63	3.28	3/4	5/8
76100MWG	3/4 X 3/4 X 5/8	2.42	.75	3.67	3/4	5/8
76100MWG	1 X 3/4 X 5/8	2.42	.75	3.71	1	5/8
76100MWG	3/4 X 5/8 X 3/4	2.31	.63	3.30	3/4	5/8 X 3/4, 3/4
76100MWG	3/4 X 5/8 X 3/4 X 3.75	2.31	.63	3.75	3/4	5/8 X 3/4, 3/4
76100MWG	3/4 X 5/8 X 3/4 X 3.88	2.31	.63	3.88	3/4	5/8 X 3/4, 3/4
76100MWG	1 X 5/8 X 3/4	2.31	.63	3.92	1	5/8 X 3/4, 3/4
76100MWG	3/4	2.42	.75	3.51	3/4	5/8 X 3/4, 3/4
76100MWG	1 X 3/4 X 3/4	2.42	.75	3.55	1	5/8 X 3/4, 3/4
76100MWG	1 X 3/4 X 1	2.42	.75	3.65	1	1
76100MWG	1	2.64	1.00	4.47	1	1

SUBMITTAL INFORMATION

- Manufactured in compliance with ANSI/AWWA C800 (latest revision)
- Brass components in contact with potable water conform to ASTM B584, UNS C89833 (latest revision) and identified with "NL"
- Certified to NSF/ANSI 61 and NSF/ANSI 372
- Brass components not in contact with potable water conform to ASTM B62 and ASTM B584, UNS C83600 -85-5-5-5 (latest revision)
- PTFE coated brass ball
- Valve rated for 300 PSIG water pressure, end connections not to exceed rated pipe pressures.
- Blow out proof EPDM port seals
- End piece joint sealed with an EPDM o-ring and thread locker
- Insert stiffeners required on all flexible plastic connections



A.Y. McDonald Mfg. Co.
4800 Chavenelle Rd
Dubuque, IA 52002

Toll Free: 1-800-292-2737
sales@aymcdonald.com
aymcdonald.com

A.Y. McDonald considers the information on this assembly drawing correct when published. Item and option availability, including specifications, are subject to change without notice.

Submitted by: