



McGuire Manufacturing Co., Inc.

60 Grandview Court
 Cheshire, Connecticut 06410
 (203) 699-1801 Fax (203) 699-1813
 customerservice@mcguiremfg.com mcguiremfg.com

PRODUCT SPECIFICATION

Part No.

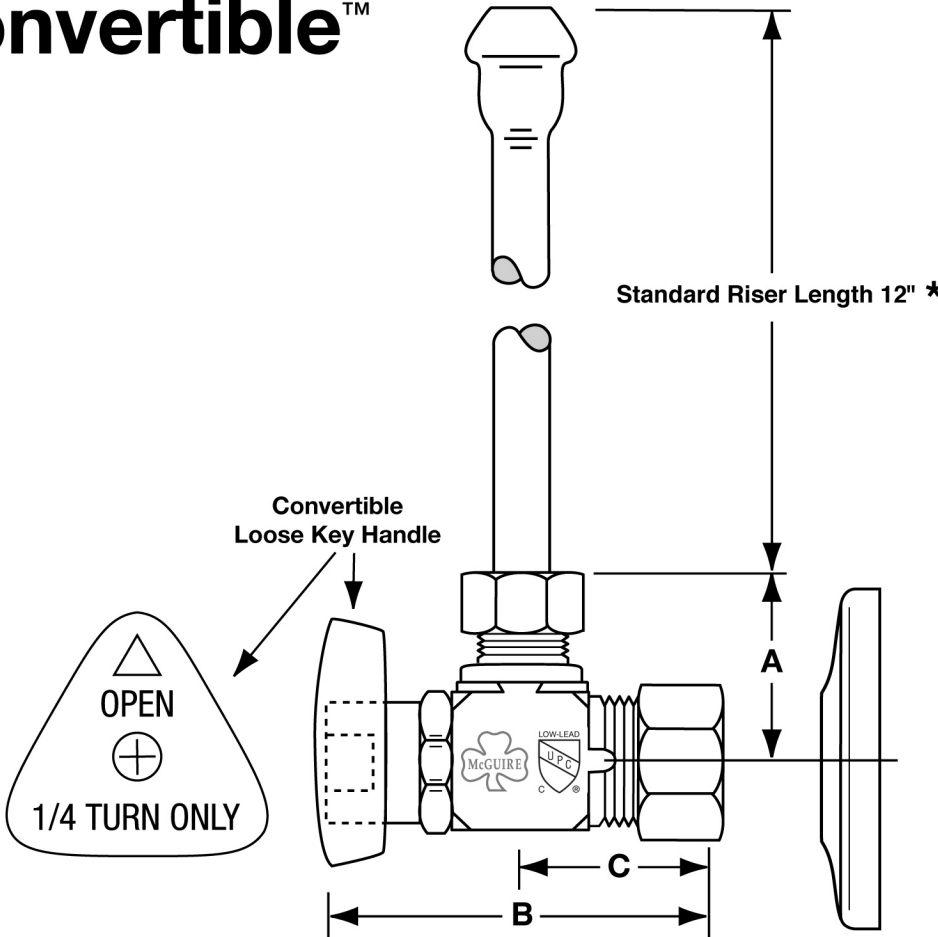
LFBV2165CC

**Quarter-Turn Brass
 Ball Valve Lavatory Supply**

Job Name:

Submittal Number:

Convertible™



NO.	DESCRIPTION	ROUGHING MEASUREMENTS		
		A	B	C
LFBV2165CC	1/2" Nominal x 3/8" O.D.	1-3/16"	2-1/2"	1-1/4"

* See options and accessories section for details on product variations.



Specifications:

Supply kit shall include lead free chrome plated, commercial pattern Quarter-Turn Brass Ball Valve with convertible loose key handle (chrome plated copper, or braided stainless steel risers) and (shallow, deep, bell) (steel or brass) or (forged brass with set screw) flange. Inlet shall be (1/2) inch (IPS, sweat, compression). Outlet shall be (3/8) inch (compression). Supply kit shall be McGuire _____ . Supply kit shall be certified by recognized authority and bear manufacturer and testing mark.



WARNING:

This product can expose you to chemicals including lead, which is known to the State of California to cause cancer, and birth defects or other reproductive harm. For more information go to www.P65Warnings.ca.gov.