

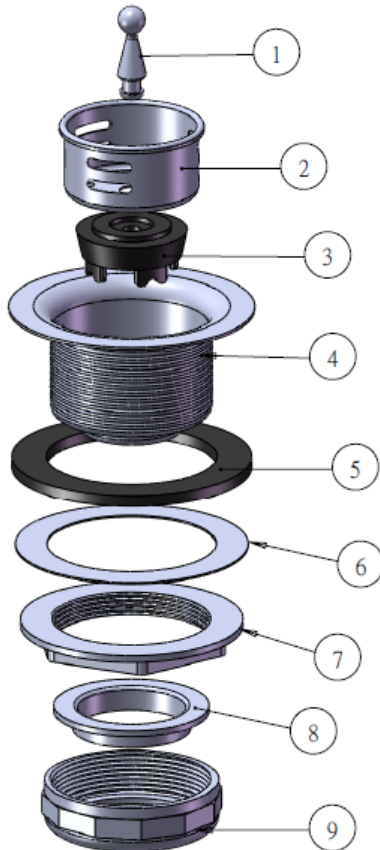
# SS-600 & SS-6000 Sink Strainer • Spec Sheet



## FEATURES & BENEFITS

- Stainless Steel Sink Strainer
- Fits 1-7/8" to 2-1/2" Openings
- Junior Dual Basket
- Printed Box

**SS-6000** - Same As Above, With Plain Box



## MATERIAL SPECIFICATIONS

| No. | Part     | Material                   |
|-----|----------|----------------------------|
| 1   | Post     | C.P Zinc                   |
| 2   | Basket   | SS430#                     |
| 3   | Washer   | Rubber                     |
| 4   | Body     | SS430#                     |
| 5   | Washer   | Rubber                     |
| 6   | Washer   | Paper                      |
| 7   | Lock Nut | Zinc                       |
| 8   | Washer   | PE                         |
| 9   | Slip     | Zinc – Yellow Chromate Dip |

