

## **Universal Pressure Balancing Valve Body**

# **Product Spec Sheet**



### **FEATURES & BENEFITS**

- Washerless Cartridge
- Sweat & IPS Connections
- Less Stops

SR-799  
Chrome Finish

#### **APPROVALS:**

**Meets or Exceeds The Following:**

- \* ANSI/ASME A112.18.1
- \* IAPMO/cUPC
- \* ASSE 1016-2005



**CALIFORNIA:**  
**TEXAS:**  
**NEW YORK:**  
**ILLINOIS:**

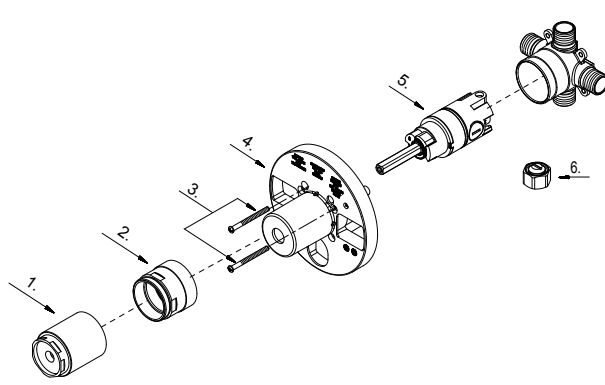
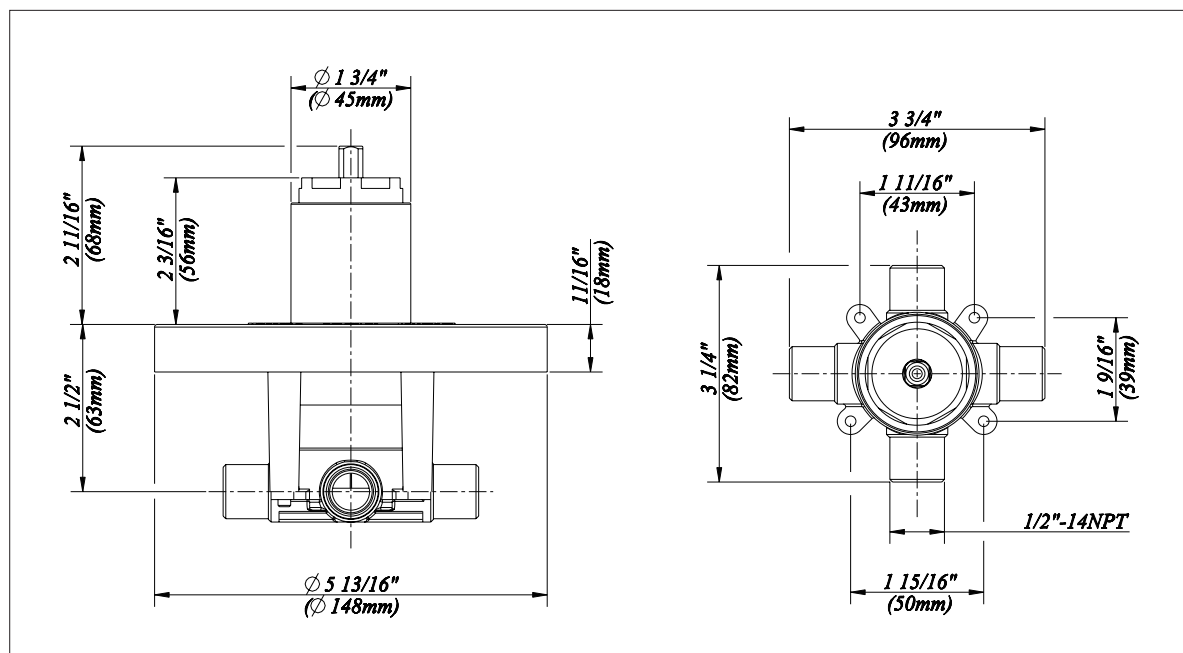
**TEL: 866-532-8306**  
**TEL: 800-935-5456**  
**TEL: 800-431-2082**  
**TEL: 844-412-5068**

**FAX: 866-532-8307**  
**FAX: 800-683-4247**  
**FAX: 800-640-2252**  
**FAX: 800-640-2252**

Visit Our Web Site : [www.matco-norca.com](http://www.matco-norca.com)

# Universal Pressure Balancing Valve Body

| No. | Name                                 | Part No. |
|-----|--------------------------------------|----------|
| 1   | Sleeve                               | A103322  |
| 2   | Retainer Nut                         | A103310  |
| 3   | Screw Set<br>(3/16" -24 * 2-3/16" L) | A608519  |
| 4   | Plaster Guard                        | A127007  |
| 5   | Washerless Cartridge<br>Assembly     | A507975  |
| 6   | Plug                                 | A028452  |

**Product Spec Sheet**

**CALIFORNIA:** TEL: 866-532-8306  
**TEXAS:** TEL: 800-935-5456  
**NEW YORK:** TEL: 800-431-2082  
**ILLINOIS:** TEL: 844-412-5068

**FAX: 866-532-8307**  
**FAX: 800-683-4247**  
**FAX: 800-640-2252**  
**FAX: 800-640-2252**

Visit Our Web Site : [www.matco-norca.com](http://www.matco-norca.com)