

- BL-151C**       **BL-151SS**  
 **BL-151ORB**



## Single Handle Pulldown Kitchen Faucet

# Product Spec Sheet



### FEATURES & BENEFITS

- This Product Contains Less Than 0.25% Weighted Average Lead Content On Wetted Surfaces
- Metal Lever Handle
- Ceramic Cartridge
- Optional Deck Plate Included
- Max Flow Rate 1.8 gpm (6.8 L/min) at 60 psi (ASME A112.18.1M/A112.18.1)

BL-151C  
 Chrome Finish

BL-151SS  
 Stainless Steel Finish

BL-151ORB  
 Oil Rubbed Bronze Finish

### APPROVALS:

Meets or Exceeds The Following:

- \* ANSI/ASME A112.18.1M/A112.18.1
- \* NSF/ANSI/CAN 61 – Sec. 9: Q≤1
- \* NSF/ANSI/CAN 372
- \* IAPMO/cUPC
- \* CA AB1953



**CALIFORNIA:**  
**TEXAS:**  
**NEW YORK:**  
**ILLINOIS:**

**TEL: 866-532-8306**  
**TEL: 800-935-5456**  
**TEL: 800-431-2082**  
**TEL: 844-412-5068**

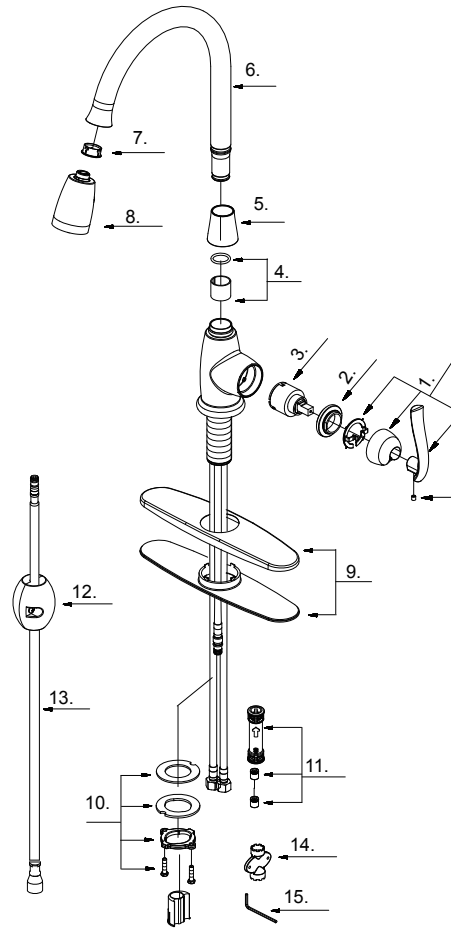
**FAX: 866-532-8307**  
**FAX: 800-683-4247**  
**FAX: 800-640-2252**  
**FAX: 800-640-2252**

Visit Our Web Site : [www.matco-norca.com](http://www.matco-norca.com)

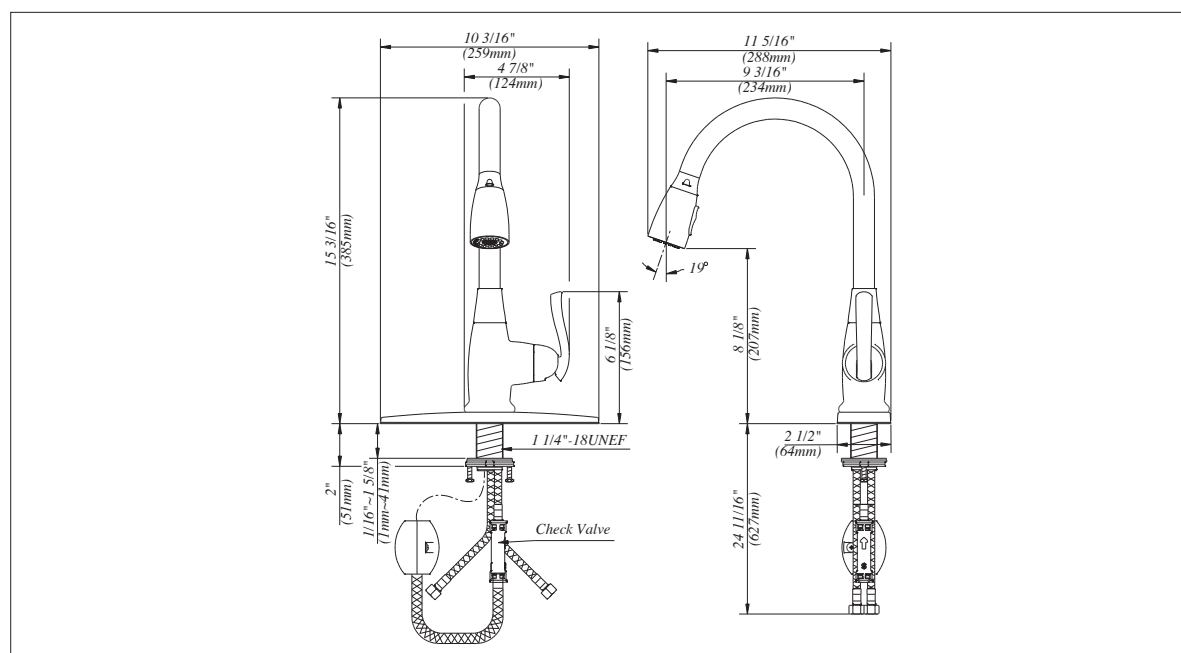
**BL-151C**       **BL-151SS**  
 **BL-151ORB**

# Single Handle Pulldown Kitchen Faucet

No.	Name	Part No.
1	Metal Handle Assembly	A66E577
2	Locking Nut	A104333
3	Ceramic Disc Cartridge	A507348N
4	Spout Seal Kit	A66D509
5	Spout Base	A000092
6	Spout	A139893
7	Hose Guide	A126048KP
8	Hand Spray w/Check Valve	A523178W-54
9	Cover Plate & Putty Plate	A66F105NP
10	Mounting Hardware Assembly	A663134
11	Hose Adaptor Assembly	A663123N
12	Weight	A504713
13	Spray Hose	A515111W
14	Aerator Wrench	(18.5 * 16.5 * 42 * 43 mm) A031237GR
15	Wrench	(H 2.5 * 19 mm L * 53 mmL) A031000NI



**Product Spec Sheet**



**CALIFORNIA:**  
**TEXAS:**  
**NEW YORK:**  
**ILLINOIS:**

**TEL: 866-532-8306**  
**TEL: 800-935-5456**  
**TEL: 800-431-2082**  
**TEL: 844-412-5068**

**FAX: 866-532-8307**  
**FAX: 800-683-4247**  
**FAX: 800-640-2252**  
**FAX: 800-640-2252**

Visit Our Web Site : [www.matco-norca.com](http://www.matco-norca.com)