

- BL-480C** **BL-480BN**
 BL-480ORB



6" - 12" Two Handle Widespread Lavatory Faucet

Product Spec Sheet



FEATURES & BENEFITS

- This Product Contains Less Than 0.25% Weighted Average Lead Content On Wetted Surfaces
- Metal Lever Handles
- Ceramic Cartridges
- Brass Pop-up
- Max Flow Rate 1.2 gpm (4.5 L/min) at 60 psi (ASME A112.18.1M/A112.18.1)

BL-480C
 Chrome Finish

BL-480BN
 Brushed Nickel Finish

BL-480ORB
 Oil Rubbed Bronze Finish

APPROVALS:

Meets or Exceeds The Following:

- * ANSI/ASME A112.18.1M/A112.18.1
- * NSF/ANSI/CAN 61 – Sec. 9: Q≤1
- * NSF/ANSI/CAN 372
- * IAPMO/cUPC
- * CA AB1953



NSF/ANSI/CAN 372
 NSF/ANSI/CAN 61 & 62



CALIFORNIA:
TEXAS:
NEW YORK:
ILLINOIS:

TEL: 866-532-8306
TEL: 800-935-5456
TEL: 800-431-2082
TEL: 844-412-5068

FAX: 866-532-8307
FAX: 800-683-4247
FAX: 800-640-2252
FAX: 800-640-2252

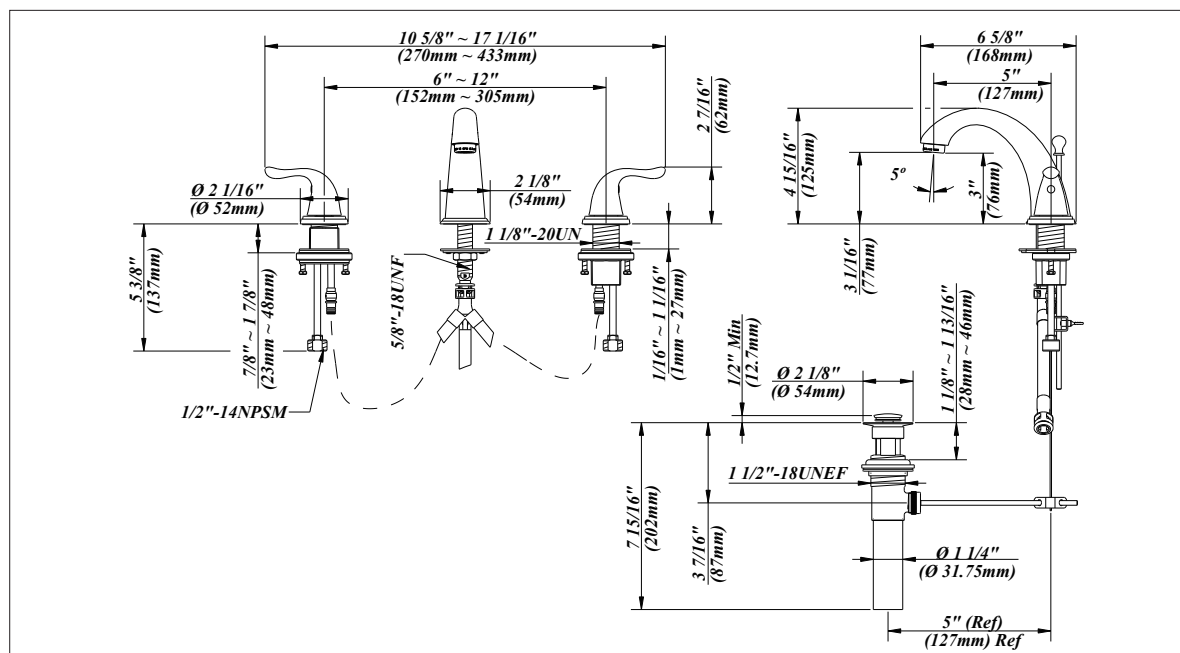
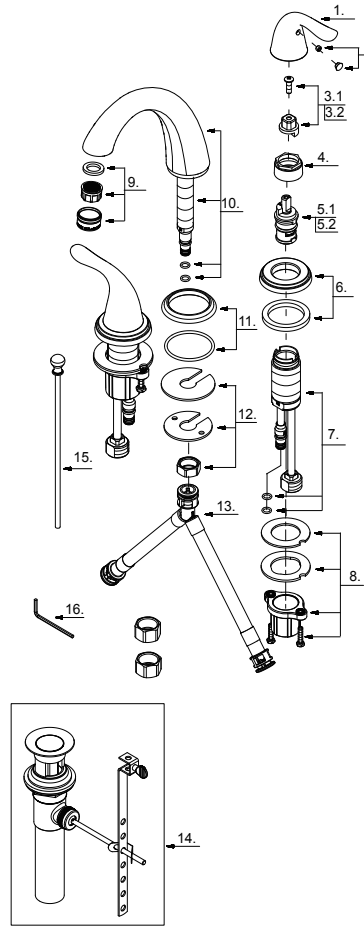
Visit Our Web Site : www.matco-norca.com

BL-480C **BL-480BN**
 BL-480ORB



6" - 12" Two Handle Widespread Lavatory Faucet

No.	Name	Part No.
1	Metal Handle	A069115
2.1	Index Button-Cold	A603595C
2.2	Index Button-Hot	A603595H
3.1	Handle Adaptor-Cold	A66D574C
3.2	Handle Adaptor-Hot	A66D574H
4	Retainer Nut	A016003
5.1	Ceramic Disc Cartridge-Cold	A507104N
5.2	Ceramic Disc Cartridge-Hot	A507103N
6	Handle Trim Ring	A667826
7	Handle Valve Body	A661002W
8	Mounting Hardware Assembly	A66D656
9	Aerator	A500268N-64
10	Spout Assembly	A666779W
11	Spout Trim Ring	A667565
12	Mounting Hardware	A66D455
13	Supply Hose	A135141N
14	Pop-up Assembly	A556200L
15	Lift Rod	A025463
16	Hex Wrench	(H2.5 * 19 mm L * 53 mm L) A031000NI



Product Spec Sheet

CALIFORNIA: TEL: 866-532-8306
TEXAS: TEL: 800-935-5456
NEW YORK: TEL: 800-431-2082
ILLINOIS: TEL: 844-412-5068

FAX: 866-532-8307
FAX: 800-683-4247
FAX: 800-640-2252
FAX: 800-640-2252

Visit Our Web Site : www.matco-norca.com