

- BL-420C** **BL-420BN**
 BL-420ORB



4" Two Handle Lavatory Faucet



Product Spec Sheet

FEATURES & BENEFITS

- This Product Contains Less Than 0.25% Weighted Average Lead Content On Wetted Surfaces
- Metal Lever Handles
- Ceramic Cartridges
- Brass Pop-up
- Max Flow Rate 1.2 gpm (4.5 L/min) at 60 psi (ASME A112.18.1M/A112.18.1)

BL-420C
 Chrome Finish

BL-420BN
 Brushed Nickel Finish

BL-420ORB
 Oil Rubbed Bronze Finish

APPROVALS:

Meets or Exceeds The Following:

- * ANSI/ASME A112.18.1M/A112.18.1
- * NSF/ANSI/CAN 61 – Sec. 9: Q≤1
- * NSF/ANSI/CAN 372
- * IAPMO/cUPC
- * CA AB1953



NSF/ANSI/CAN 372
 NSF/ANSI/CAN 61 & 9.0.1



CALIFORNIA:
TEXAS:
NEW YORK:
ILLINOIS:

TEL: 866-532-8306
TEL: 800-935-5456
TEL: 800-431-2082
TEL: 844-412-5068

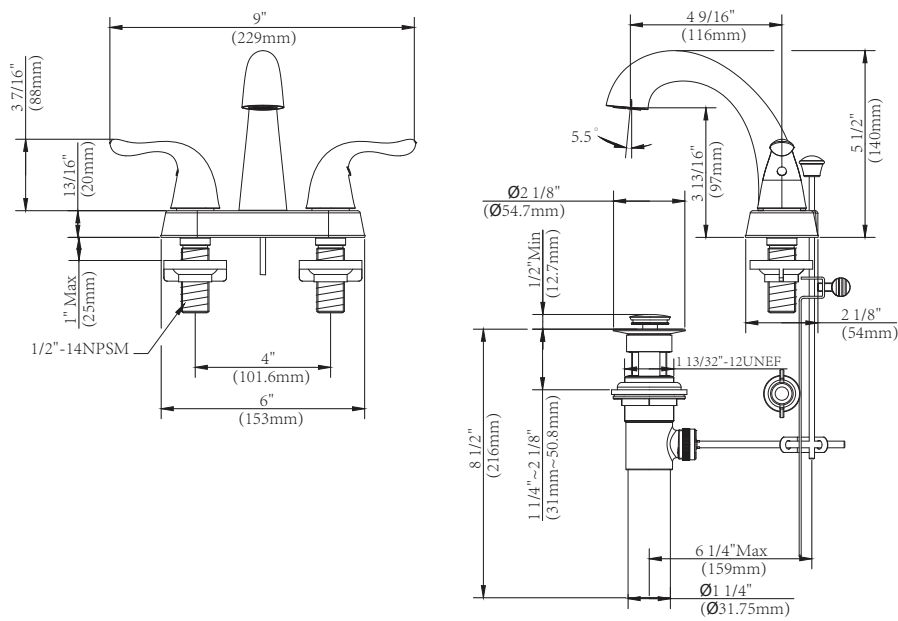
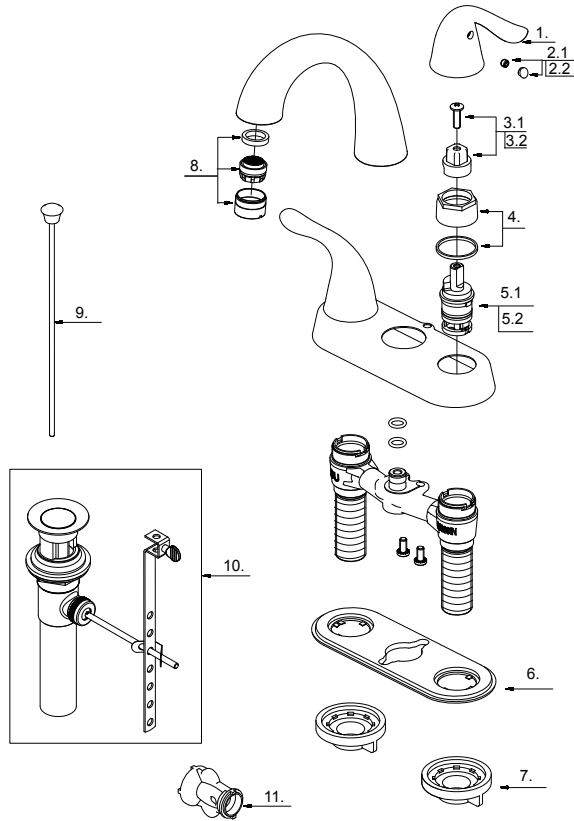
FAX: 866-532-8307
FAX: 800-683-4247
FAX: 800-640-2252
FAX: 800-640-2252

Visit Our Web Site : www.matco-norca.com

BL-420C **BL-420BN**
 BL-420ORB

4" Two Handle Lavatory Faucet

No.	Name	Part No.
1	Metal Handle	A069115
2.1	Index Button-Cold	A66G361C
2.2	Index Button-Hot	A66G361H
3.1	Handle Adaptor-Cold	A66D574C
3.2	Handle Adaptor-Hot	A66D574H
4	Retainer Nut & Washer	A663629
5.1	Ceramic Disc Cartridge-Cold	A507104N
5.2	Ceramic Disc Cartridge-Hot	A507103N
6	Putty Plate	A011367NF
7	Lock Nut Set	A504023
8	Aerator	A500026N-51-T
9	Lift Rod	A025098
10	Pop-up Assembly	A505016
10	Pop-up Assembly (for ORB)	A505200
11	Wrench (20.6 * 27.4 * 40 * 36 mm)	A031245



Product Spec Sheet

CALIFORNIA: **TEL: 866-532-8306**
TEXAS: **TEL: 800-935-5456**
NEW YORK: **TEL: 800-431-2082**
ILLINOIS: **TEL: 844-412-5068**

FAX: 866-532-8307
FAX: 800-683-4247
FAX: 800-640-2252
FAX: 800-640-2252

Visit Our Web Site : www.matco-norca.com