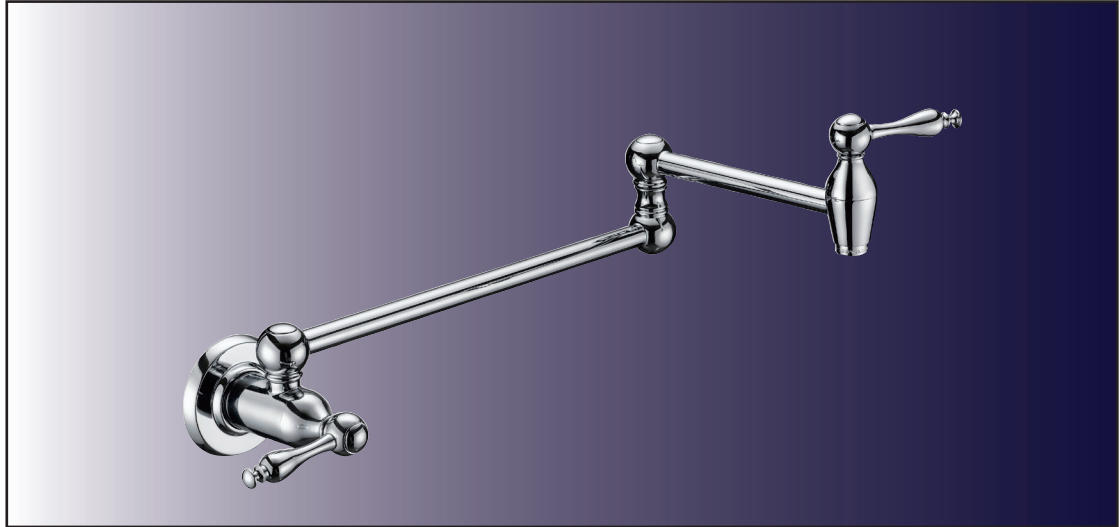


- BL-190C** **BL-190SS**
 BL-190ORB



Single Handle Wall Mount Pot Filler Faucet



Product Spec Sheet

FEATURES & BENEFITS

- This Product Contains Less Than 0.25% Weighted Average Lead Content On Wetted Surfaces
- Metal Lever Handles
- Ceramic Cartridges
- Single Hole Wall Mount, Cold Water Only
- 24" Max Spout Reach
- Max Flow Rate 2.2 gpm (8.4 L/min) at 60 psi (ASME A112.18.1M/A112.18.1)

BL-190C
 Chrome Finish

BL-190SS
 Stainless Steel Finish

BL-190ORB
 Oil Rubbed Bronze Finish

APPROVALS:

Meets or Exceeds The Following:

- * ANSI/ASME A112.18.1M/A112.18.1
- * NSF/ANSI/CAN 61 – Sec. 9: Q≤1
- * NSF/ANSI/CAN 372
- * IAPMO/cUPC
- * CA AB1953



CALIFORNIA:
TEXAS:
NEW YORK:
ILLINOIS:

TEL: 866-532-8306
TEL: 800-935-5456
TEL: 800-431-2082
TEL: 844-412-5068

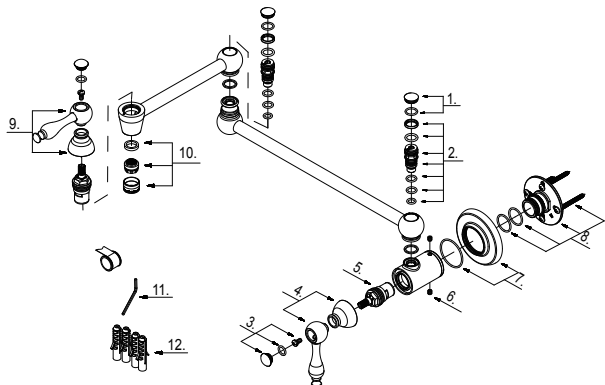
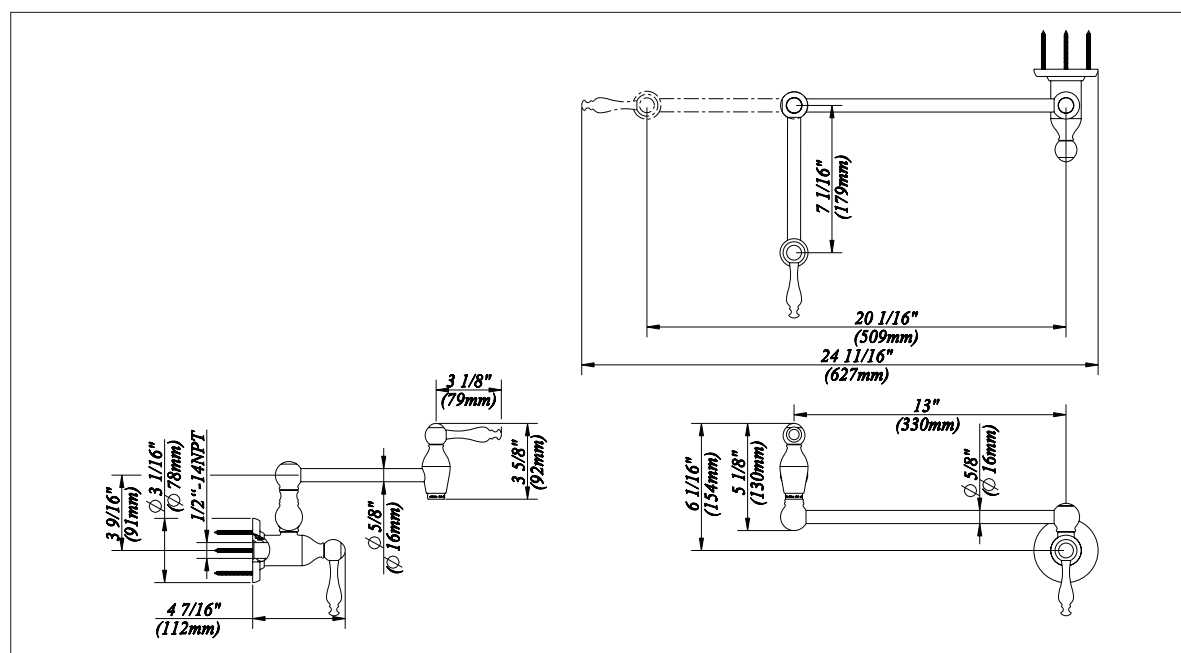
FAX: 866-532-8307
FAX: 800-683-4247
FAX: 800-640-2252
FAX: 800-640-2252

Visit Our Web Site : www.matco-norca.com

- BL-190C** **BL-190SS**
 BL-190ORB

Single Handle Wall Mount Pot Filler Faucet

No.	Name	Part No.
1	Spout Cap	A66D162N
2	Support Nut Assembly	A66D926W
3	Handle Cap	A66E797
4	Metal Handle Assembly	A66E798
5	Ceramic Disc Cartridge	A507375W
6	Screw (M5 * 5mm L)	A008003
7	Base Trim Ring	A667729
8	Holding Hardware	A607377W
9	Metal Handle Assembly	A66E799
10	Aerator	A500771N-50
11	Hex Wrench (H2.5 * 19 mm L * 53 mm L)	A031000NI
12	Holding Hardware	A239535

Product Spec Sheet

CALIFORNIA: **TEL: 866-532-8306** **FAX: 866-532-8307**
TEXAS: **TEL: 800-935-5456** **FAX: 800-683-4247**
NEW YORK: **TEL: 800-431-2082** **FAX: 800-640-2252**
ILLINOIS: **TEL: 844-412-5068** **FAX: 800-640-2252**

Visit Our Web Site : www.matco-norca.com