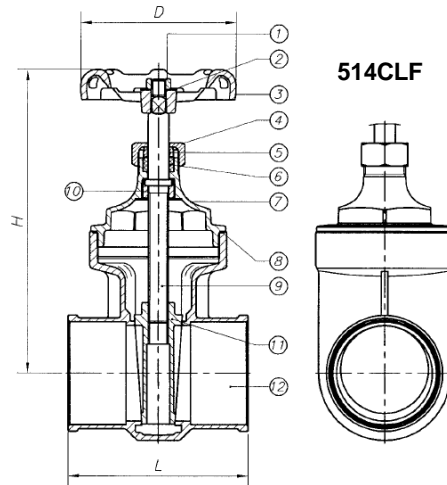
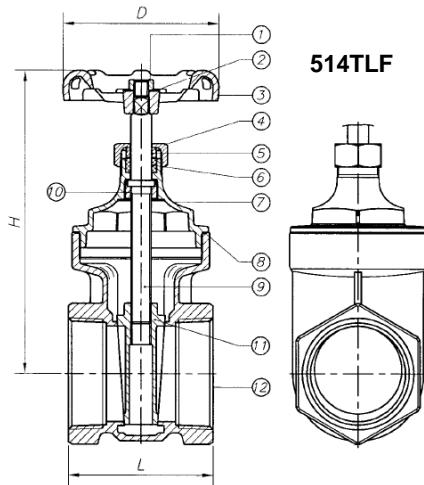


514LF Full Port Gate Valve

Specification Sheet

FEATURES & BENEFITS

- Lead Free Brass
- 200WOG-125SWP
- Full Port
- Non-Rising Stem
- Threaded Bonnet
- Threaded Ends Conform to ANSI Standards B2.1
- Solder Ends Conforms to ANSI Standards B16.18
- Valves are Tested in Accordance w/ MSS-SP-82
- Certified NSF/ANSI 372 by Truesdail Lab to Comply with Section 1417 of the US SDWA
- Available With Cross Handles (See Page 2)
- Sizes 1/4" – 4"



DIMENSIONS

Part # IPS	Part # C X C	Size	D IPS	H IPS	L IPS	D C X C	H C X C	L C X C
514T01LF	-	1/4"	2.09	2.92	1.71	-	-	-
514T02LF	-	3/8"	2.09	2.92	1.71	-	-	-
514T03LF	514C03LF	1/2"	2.09	2.92	1.71	2.09	2.92	1.69
514T04LF	514C04LF	3/4"	2.13	3.31	1.81	2.13	3.31	2.32
514T05LF	514C05LF	1"	2.48	3.90	2.13	2.48	3.90	2.72
514T06LF	514C06LF	1-1/4"	2.72	4.61	2.25	2.72	4.61	2.94
514T07LF	514C07LF	1-1/2"	3.15	5.08	2.44	3.15	5.08	3.33
514T08LF	514C08LF	2"	3.53	5.99	2.70	3.53	5.99	3.98
514T09LF	514C09LF	2-1/2"	3.98	7.88	2.70	3.98	7.88	4.61
514T10LF	514C10LF	3"	4.37	8.83	4.02	4.37	8.83	5.32
514T11LF	514C11LF	4"	5.00	9.89	4.53	5.00	9.89	6.37

MATERIAL SPECIFICATIONS

No.	Parts	Material
1	Wheel Nut	Brass B124 C37700
2	Name Plate	Aluminum
3	Handle Wheel	Cast Iron
4	Packing Nut	Brass B16 C36000
5	Gland Ring	Brass B16 C36000
6	Gland Packing	Graphite
7	Bonnet	Brass C89550
8	Packing	FIBRE H
9	Stem	Brass C89550
10	Lock Nut	Brass C89550
11	Disc	Brass C89550
12	Body	Brass C89550



514XLF Full Port Gate Valve

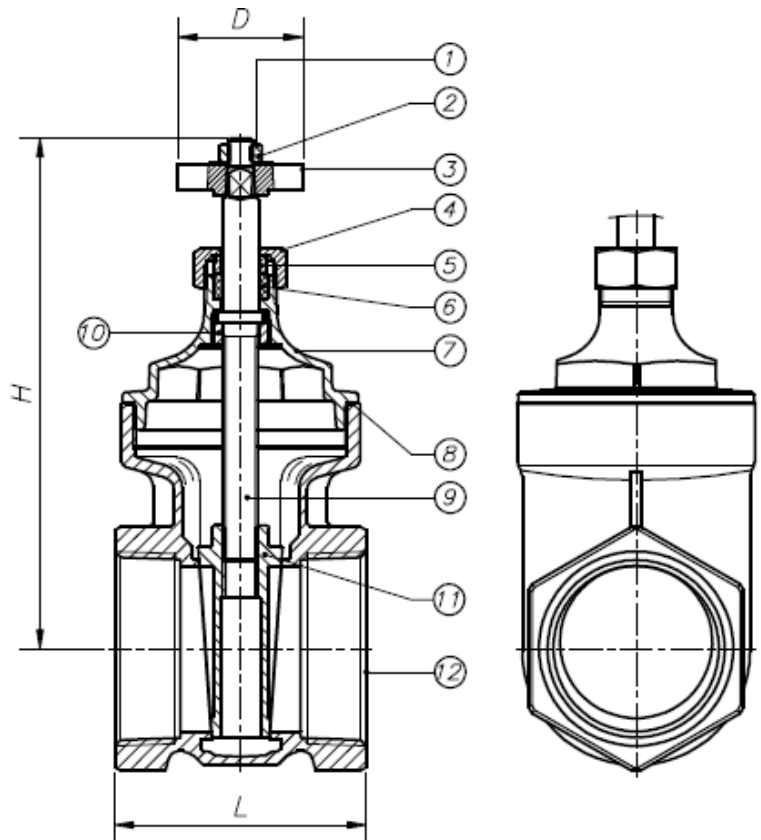
Specification Sheet

FEATURES & BENEFITS

- Lead Free Brass
- 200WOG-125SWP
- Full Port
- Non-Rising Stem
- Threaded Bonnet
- Threaded Ends Conform to ANSI Standards B2.1
- Solder Ends Conforms to ANSI Standards B16.18
- Valves are Tested in Accordance w/ MSS-SP-82
- Certified NSF/ANSI 372 by Truesdail Lab to Comply with Section 1417 of the US SDWA
- Sizes 1/2" – 2"

DIMENSIONS

Part # IPS	Size	D IPS	H IPS	L IPS
514T03XLF	1/2"	2.09	2.92	1.71
514T04XLF	3/4"	2.13	3.31	1.81
514T05XLF	1"	2.48	3.90	2.13
514T06XLF	1-1/4"	2.72	4.61	2.25
514T07XLF	1-1/2"	3.15	5.08	2.44
514T08XLF	2"	3.53	5.99	2.70
514T09XLF	2-1/2"	3.98	7.88	2.70
514T10XLF	3"	4.37	8.83	4.02
514T11XLF	4"	5.00	9.89	4.53



MATERIAL SPECIFICATIONS

No.	Parts	Material
1	Wheel Nut	Hot Rolled SAE 1010R
2	Name Plate	Aluminum
3	Cross Handle	Brass C89550
4	Packing Nut	Brass B16 C36000
5	Gland Ring	Brass B16 C36000
6	Gland Packing	Graphite
7	Bonnet	Brass C89550
8	Packing	FIBRE H
9	Stem	Brass C89550
10	Lock Nut	Brass C89550
11	Disc	Brass C89550
12	Body	Brass C89550

